

# INSTALLATION MANUAL

## COLD DELI 3/4/5 MERCHANDISERS

### VERSIONS

**Self service**  
**Full service**



CD 3 self service on pedestal underframe

#### - NOTICE -

This manual is prepared for the use of trained Service Technicians and should not be used by those not properly qualified. If you have attended a training for this product, you may be qualified to perform all the procedures in this manual.

This manual is not intended to be all encompassing. If you have not attended a training for this product, you should read, in its entirety, the repair procedure you wish to perform to determine if you have the necessary tools, instruments and skills required to perform the procedure. Procedures for which you do not have the necessary tools, instruments and skills should be performed by a trained technician.

Reproduction or other use of this Manual, without the express written consent of Fri-Jado, is prohibited.

EMPTY PAGE

INDEX

**Index ..... 3**

**General technical data ..... 4**

    Technical data ..... 4

**Installation procedures ..... 5**

    Unpacking and removing the unit from the pallet ..... 5

    Location ..... 5

    Separately packed parts ..... 6

    Electrical supply ..... 7

    Legs/castors ..... 7

    Test run ..... 7

    Instructions for operators ..... 7

**Placing and connecting of the units ..... 8**

    Cold Deli 3 full serve ..... 8

    Cold Deli 3 self serve ..... 9

    Cold Deli 4 full serve ..... 10

    Cold Deli 4 self serve ..... 11

    Cold Deli 5 full serve ..... 12

    Cold Deli 5 self serve ..... 13

    Cold Deli 3 on pedestal underframe ..... 14

    Cold Deli 4 on pedestal underframe ..... 15

    Cold Deli 5 on pedestal underframe ..... 16

    Cold Deli 3 on underframe with castors ..... 17

    Cold Deli 4 on underframe with castors ..... 18

    Cold Deli 5 on underframe with castors ..... 19

    Cold Deli drop-in dimensions (part 1) ..... 20

    Cold Deli drop-in dimensions (part 2) ..... 21

    Cold Deli 3 and 4 models coupled ..... 22

## GENERAL TECHNICAL DATA

This manual covers the Cold Deli Merchandisers. The Merchandisers are available in 3 sizes which can be built into existing counters. Merchandisers can also be delivered on an under frame.

The Merchandisers are available in 2 versions:

- Self Service
- Full Service

All of the information, illustrations and specifications contained in this manual are based on the latest product information available at the time of printing.

### TECHNICAL DATA

Type	CD 3	CD 4	CD 5
Power	866 W	1068 W	1198 W
Fuses needed with power connection 230V, 1N ~ 50Hz (1 phase with zero)	1x 10 A	1x 10 A	1x 10 A
Standard plug from factory single pole	Two-pole earthed plug 16 A	Two-pole earthed plug 16 A	Two-pole earthed plug 16 A
sound pressure	< 70 dB(A)	< 70 dB(A)	< 70 dB(A)
Temperature class Self Service*	2M2	2M2	2M2
Temperature class Full Service*	3M1	3M1	3M1
Net Weight Self Service	195 kg	225 kg	265 kg
Net Weight Full Service	200 kg	230 kg	275 kg
Gross Weight Self Service	250 kg	290 kg	340 kg
Gross Weight Full Service	255 kg	295 kg	345 kg
Height	1307 mm	1307 mm	1307 mm
Width	1086 mm	1419 mm	1752 mm
Depth	1058 mm	1058 mm	1058 mm
Height with basis	1420 mm	1420 mm	1420 mm
Maximum Loading height	100 mm	100 mm	100 mm
Refrigerant**	R134A	R134A	R404A
Amount of refrigerant	0.625 kg	0.75 kg	0.85 kg

\* Product temperature class according to NEN-EN 441-6

\*\* The refrigerant complies with the environmental requirements applicable at the time of manufacturing of the unit.

### Tools

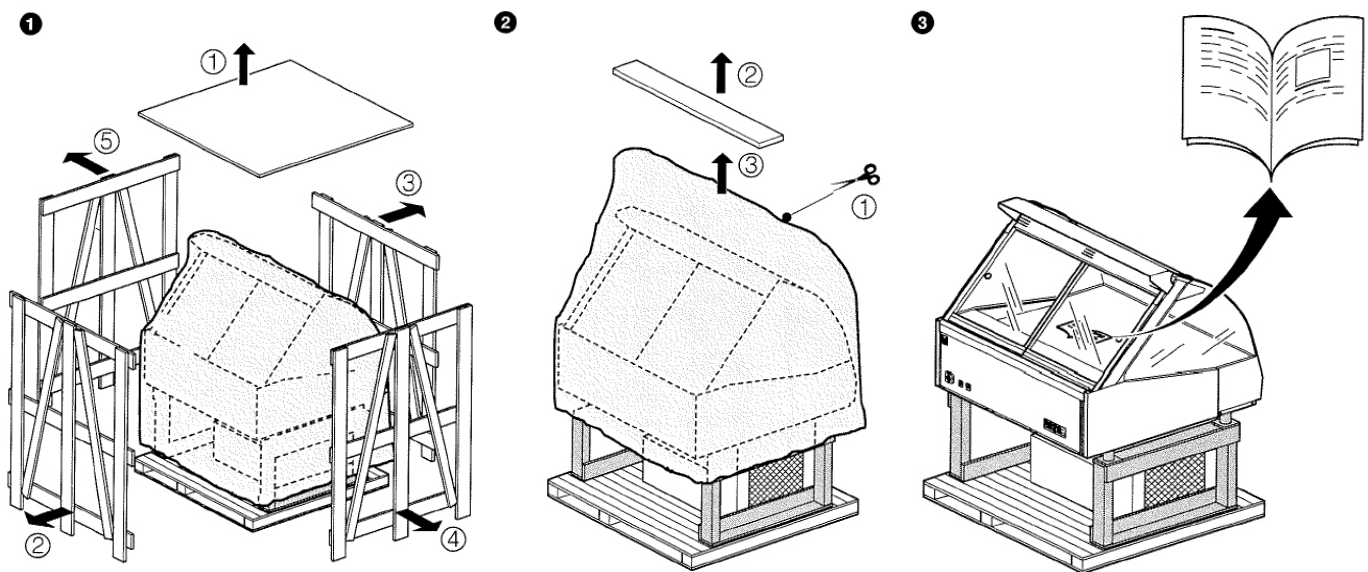
- Standard set of tools.
- Metric wrenches, sockets and hex socket key wrenches.
- Multi meter and AC current clamp meter.
- Temperature tester.
- Insulation value tester (Megger).

## INSTALLATION PROCEDURES

- Unpacking of the unit.
- Remove the pallet under the unit with the help of a fork lift.
- Put the unit on his location.
- Unpack and install all separately packed parts.
- Remove all vinyl protection.
- Check if there is enough free space around the unit (50 mm.).
- Check the electrical supply.
- Check all settings and make a test run with all functions switched on.
- Give instructions to the operator.

### UNPACKING AND REMOVING THE UNIT FROM THE PALLET

Immediately after unpacking the Merchandiser, check for possible shipping damage. If the Merchandiser is found to be damaged, save the packaging material and contact the carrier within 15 days of delivery. Remove the pallet under the unit with the help of a fork lift.



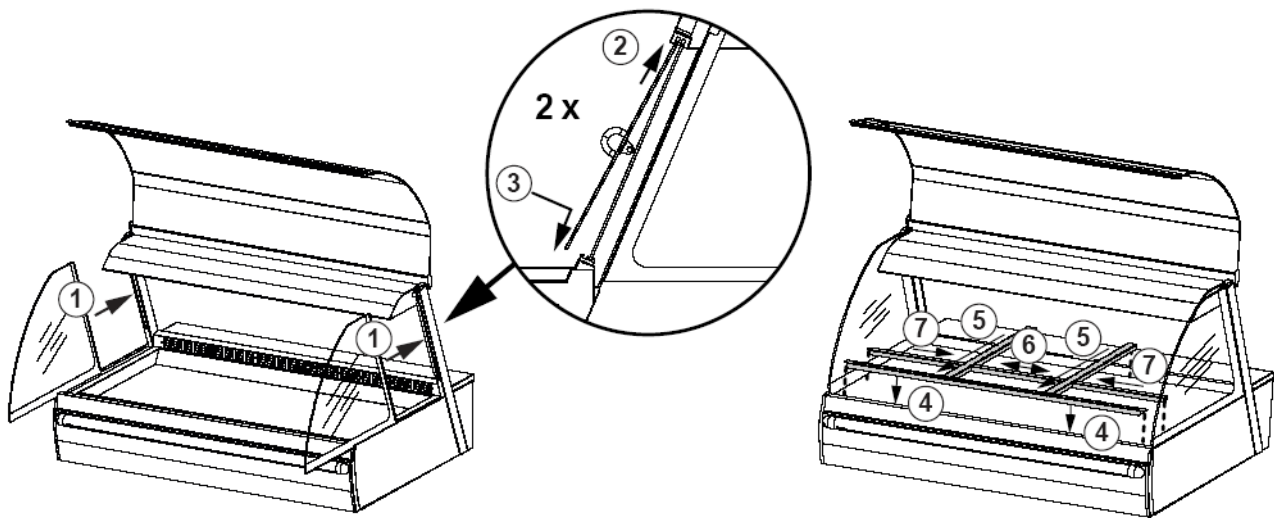
### LOCATION

The Merchandiser must be installed on a level surface. Level the unit with the adjustable legs. The installation location must allow adequate clearances for servicing and for proper operation.

## SEPARATELY PACKED PARTS

Clean and place all parts and/or accessories. Follow steps 1 to 3 to place the side glass and sliding doors and follow steps 5 to 7 to place the pan frame .

**Caution:** Handle glass panels with care to avoid breakage. The side glass panels are tempered safety glass. If the edges of the glass panels scrape against stainless steel, concrete or other hard surfaces, breakage may occur.



1. Clean the inside, the removable parts and the accessories thoroughly with a cleanser and water before putting the unit into use.
2. After cleaning, wipe the unit with a cloth moistened with clean water to remove cleanser residues and then dry the entire unit.
3. Place all (optional) parts and/or accessories. Follow steps 1 to 3 to place the glass side panels and sliding doors and follow steps 4 to 7 to place a pan frame.
4. Insert the plug into the socket
5. Switch on the unit.
6. Let the unit cool for at least half an hour before filling it with products.

## ELECTRICAL SUPPLY

Prior to installation, test the electrical service to assure that it agrees with the specifications on the machine data plate located on the middle backside panel near the controls. The connecting cable for the unit must be equipped with an approved plug connection. If use is to be made of a permanent connection, the connecting cable must be connected to a manual on/off switch that is installed near the unit in a clear visible way.

## LEGS/CASTORS

Each Merchandiser is furnished on 120 mm adjustable legs. Units placed on a pedestal have no adjustable legs. The pedestal must be installed on a level surface. Units placed on a underframe are furnished with 2 swivel and 2 locking swivel castors.

## TEST RUN

Operate the cold deli merchandiser at a minimum temperature setting of 0°C, for 30 minutes. Within these 30 minutes the merchandiser should reach the adjusted temperature.

## INSTRUCTIONS FOR OPERATORS

After installation of the Merchandiser, the operator of the unit has to be instructed.

The instruction has to cover the following subjects:

- Programming and options.
- Working of the unit.
- Free space of unit for servicing and for proper operation.
- Run through the user manual.
- Cleaning of the unit.
- How to react for obtaining information or making service calls.

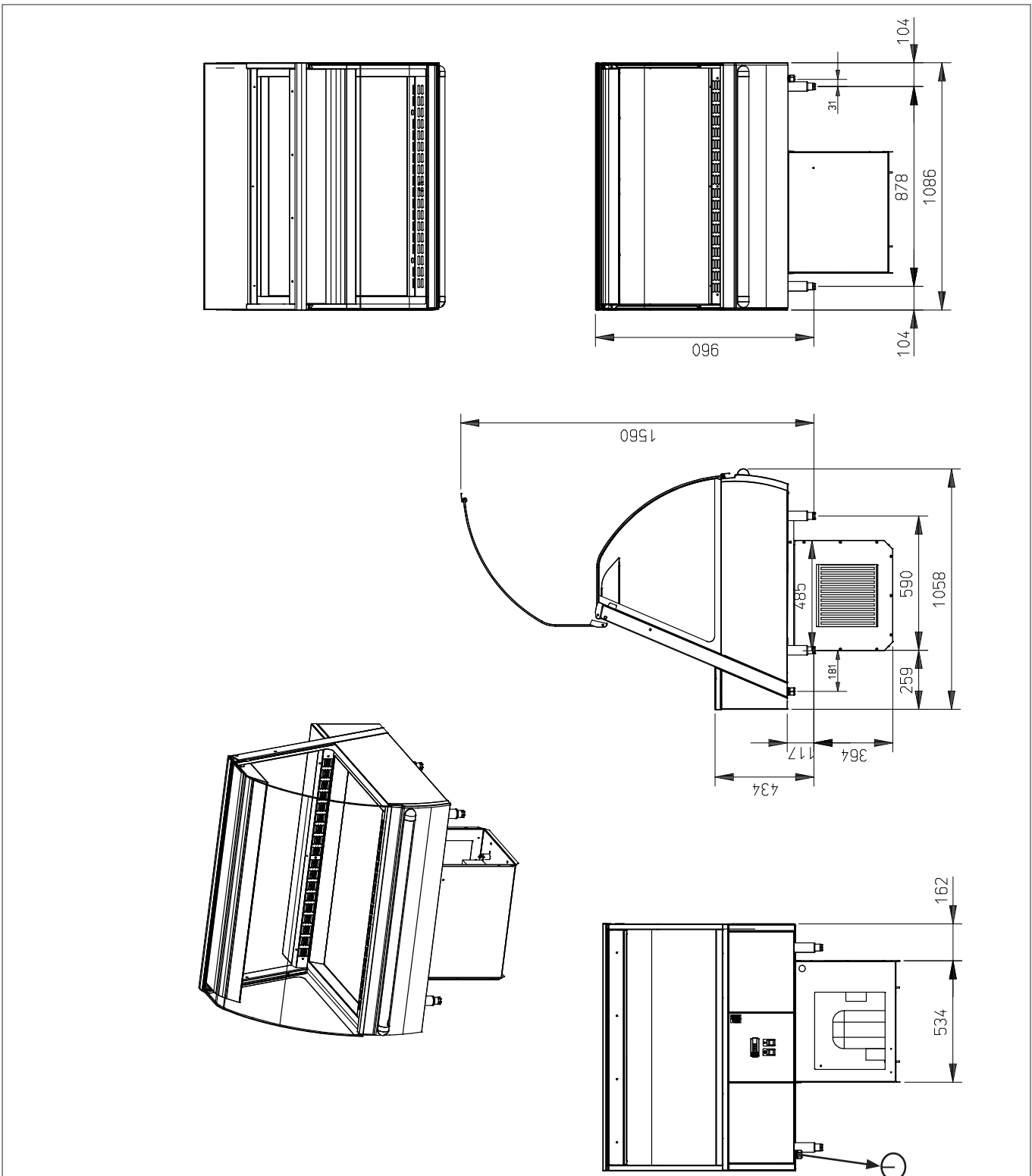
## PLACING AND CONNECTING OF THE UNITS

### Description belonging to the labels on the drawings

Label	Description
1	Power cable, length 2,5 meters *

\*) length is measured from the point where the cables comes out of the unit

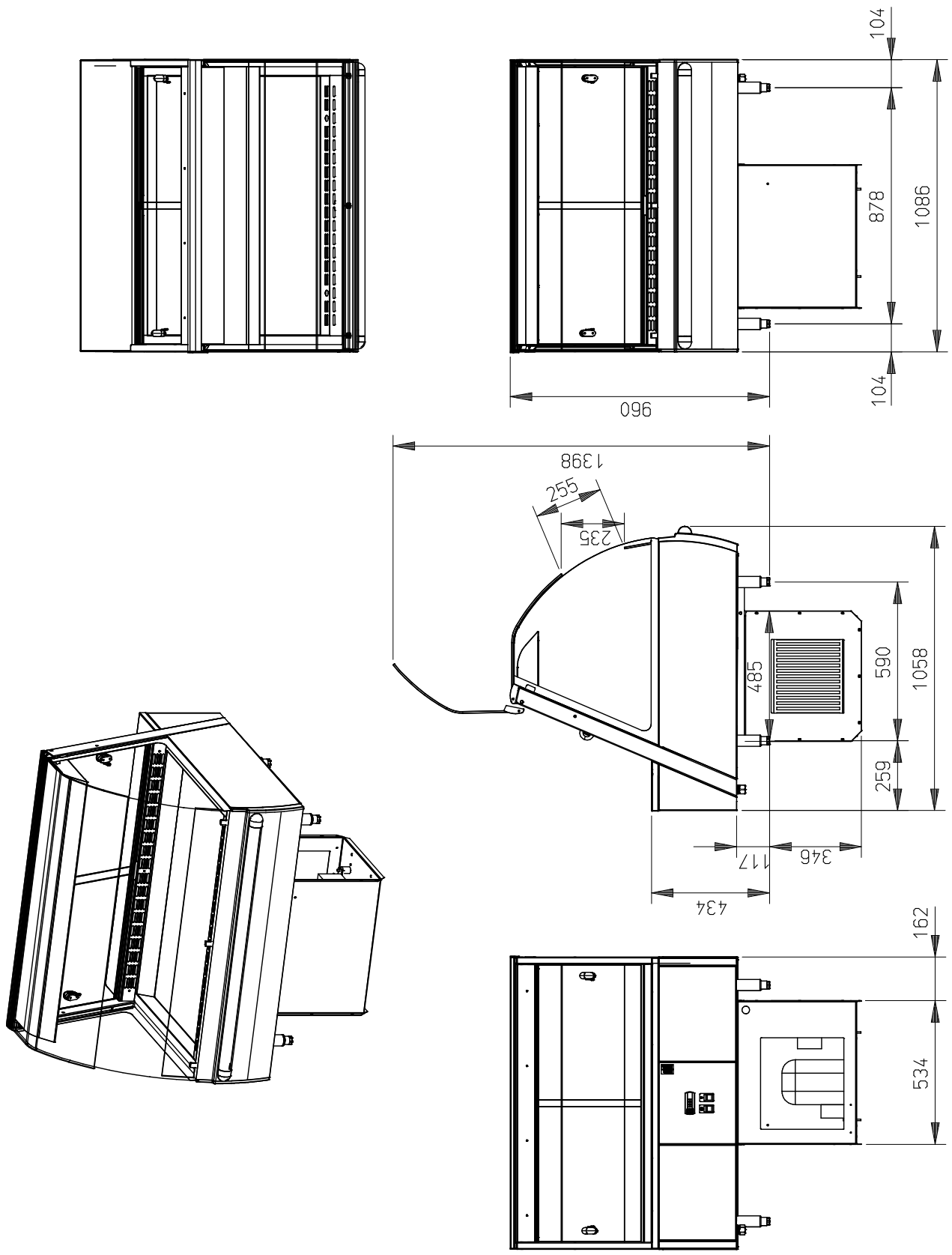
### COLD DELI 3 FULL SERVE



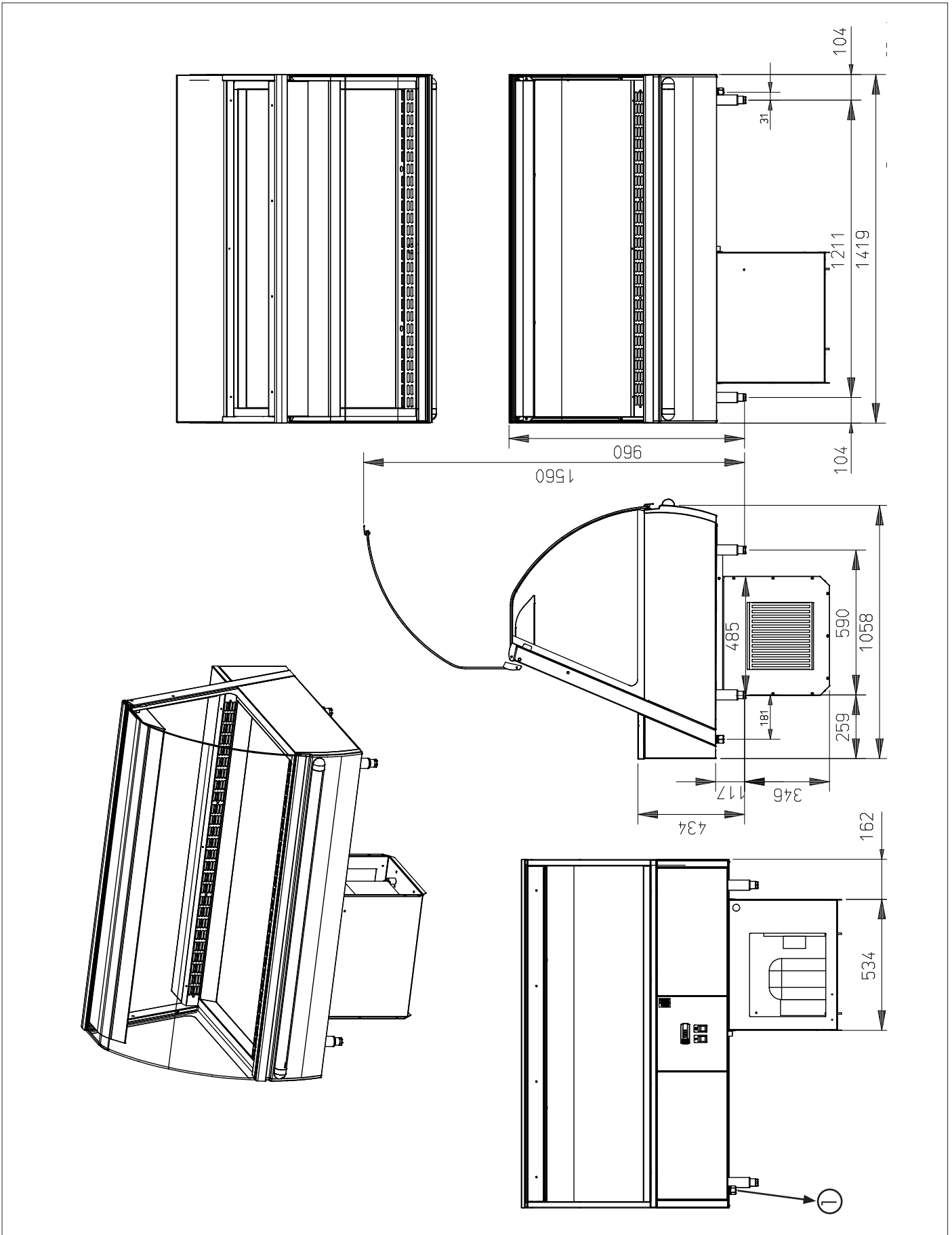
Placing and connecting the CD 3 full service



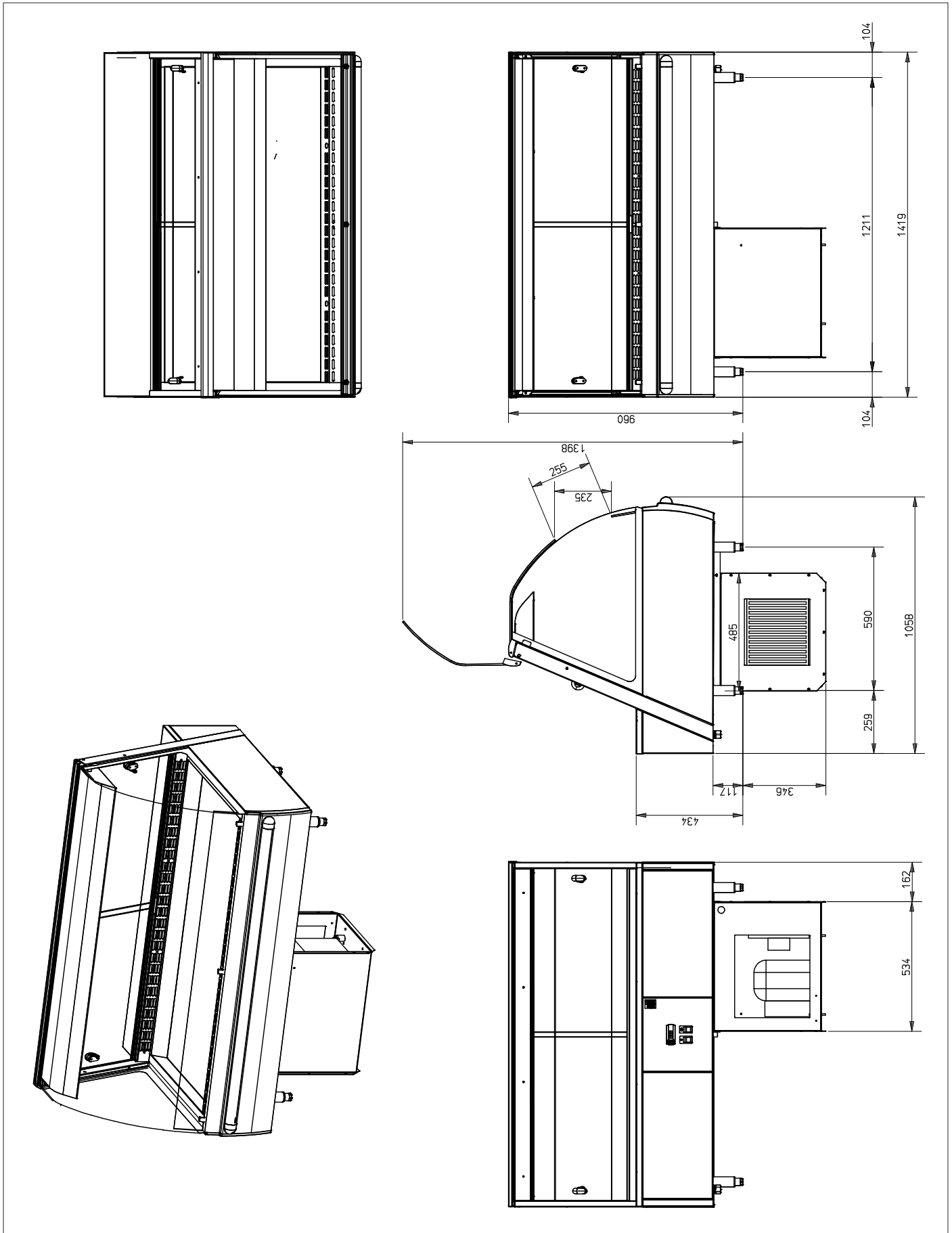
COLD DELI 3 SELF SERVE



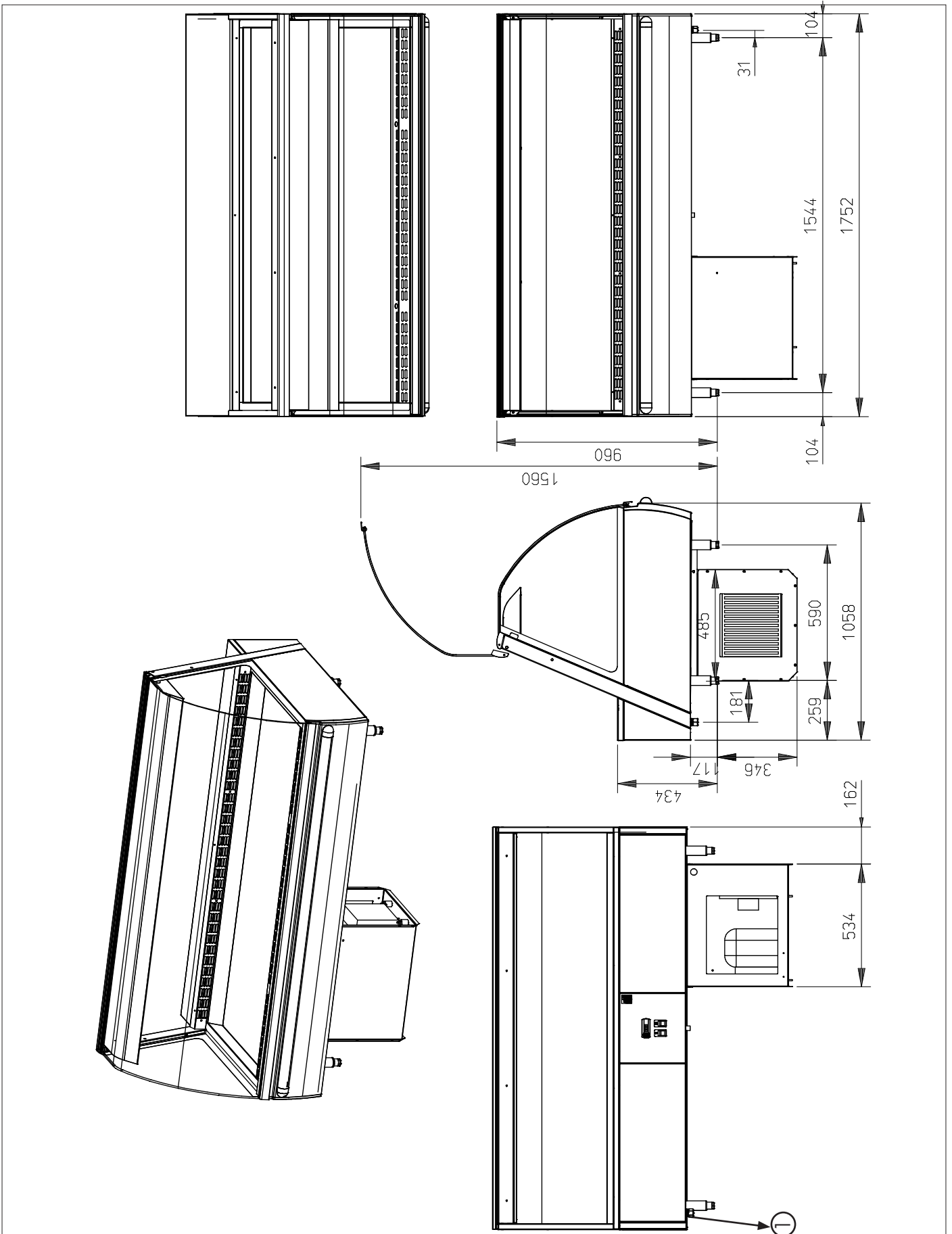
**COLD DELI 4 FULL SERVE**



COLD DELI 4 SELF SERVE

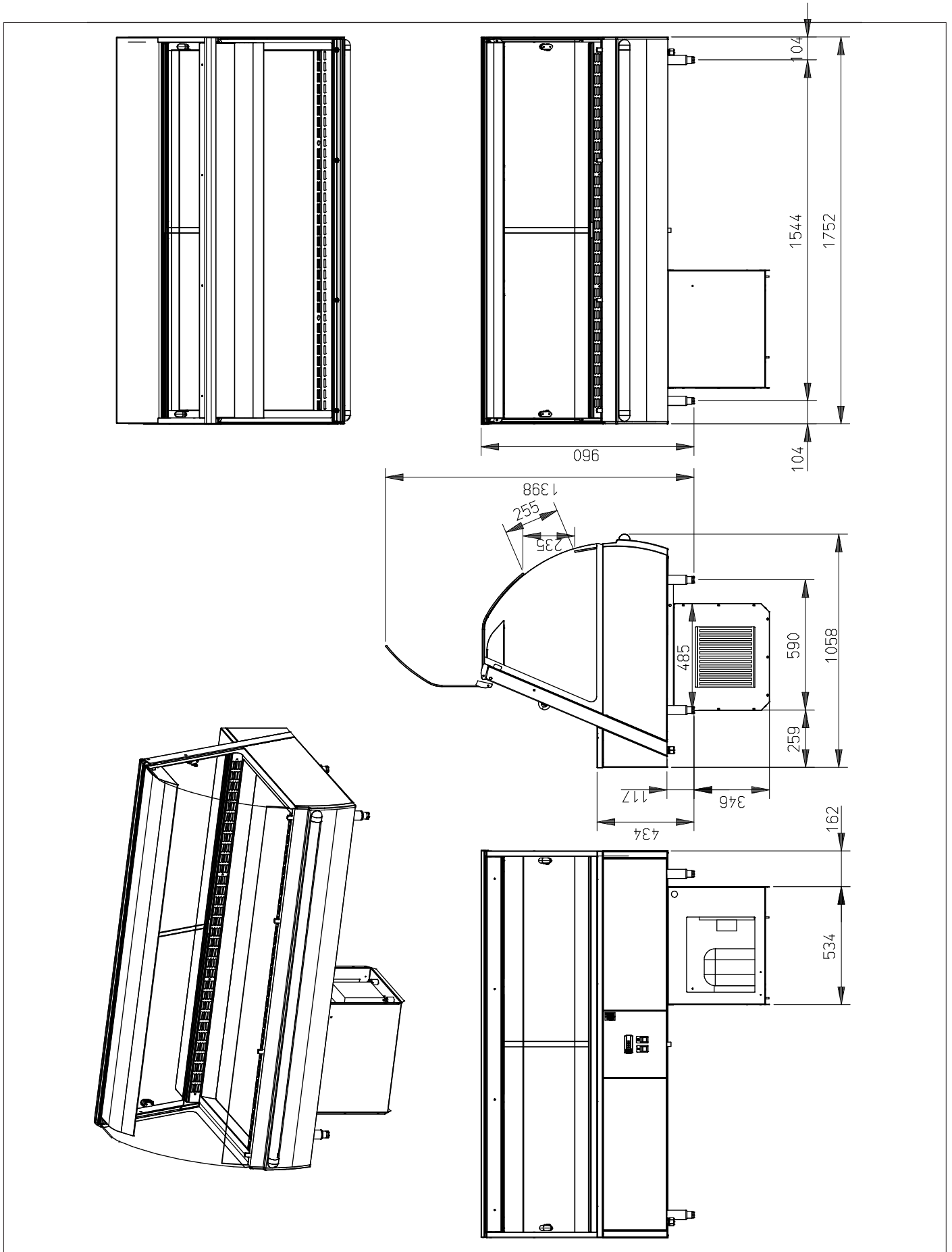


COLD DELI 5 FULL SERVE



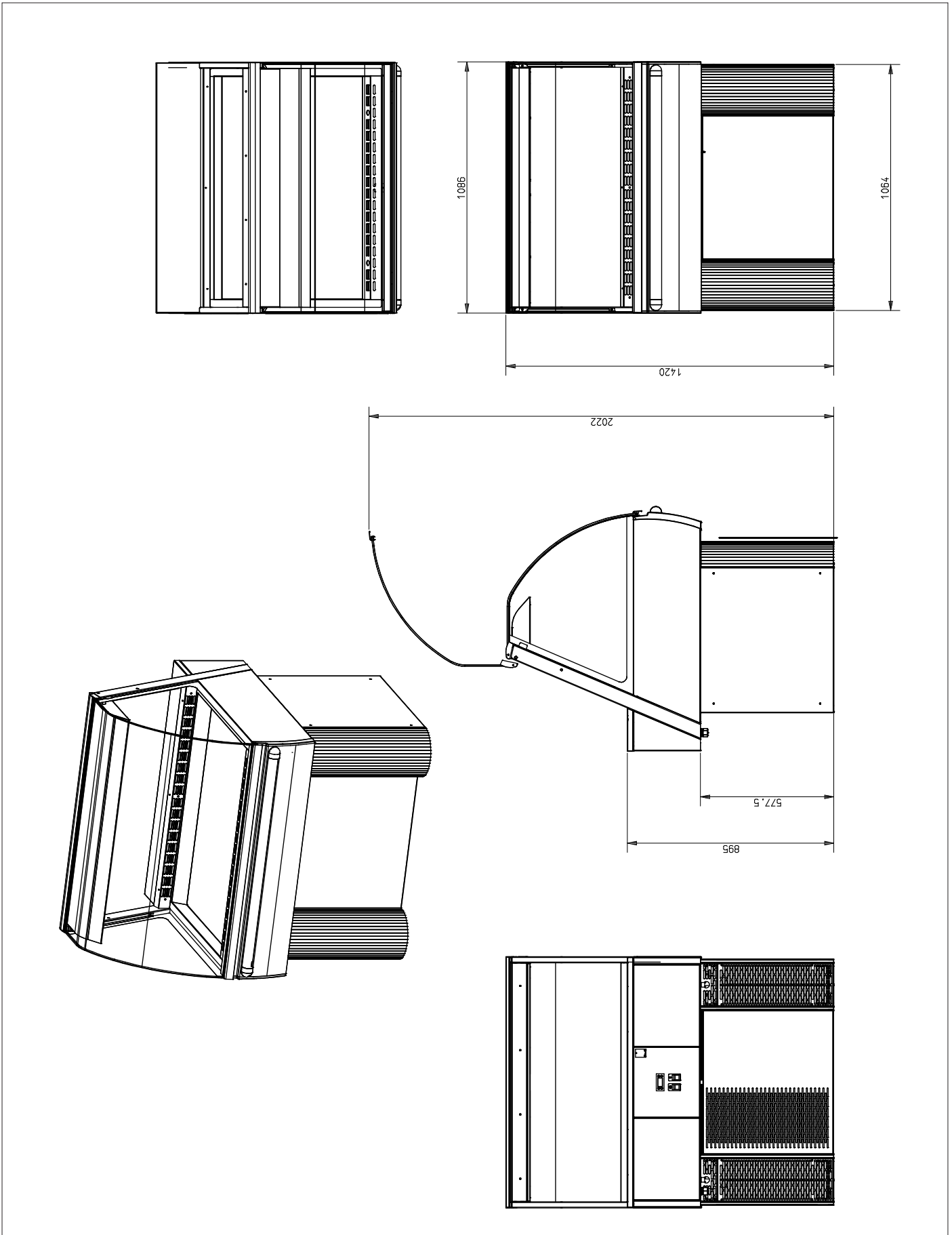
Placing and connecting the CD 5 full service

COLD DELI 5 SELF SERVE



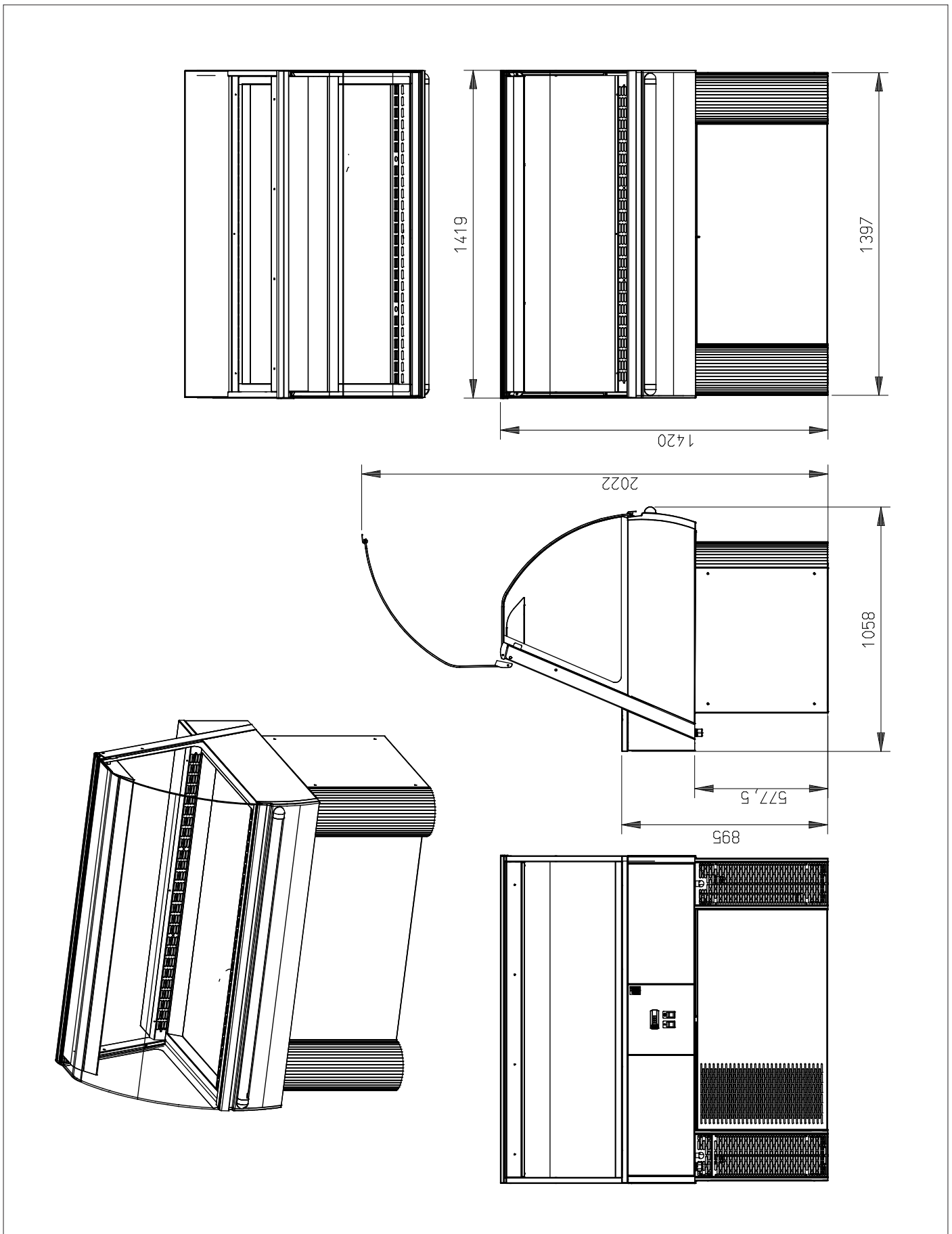
Placing and connecting the CD 5 self service

**COLD DELI 3 ON PEDESTAL UNDERFRAME**



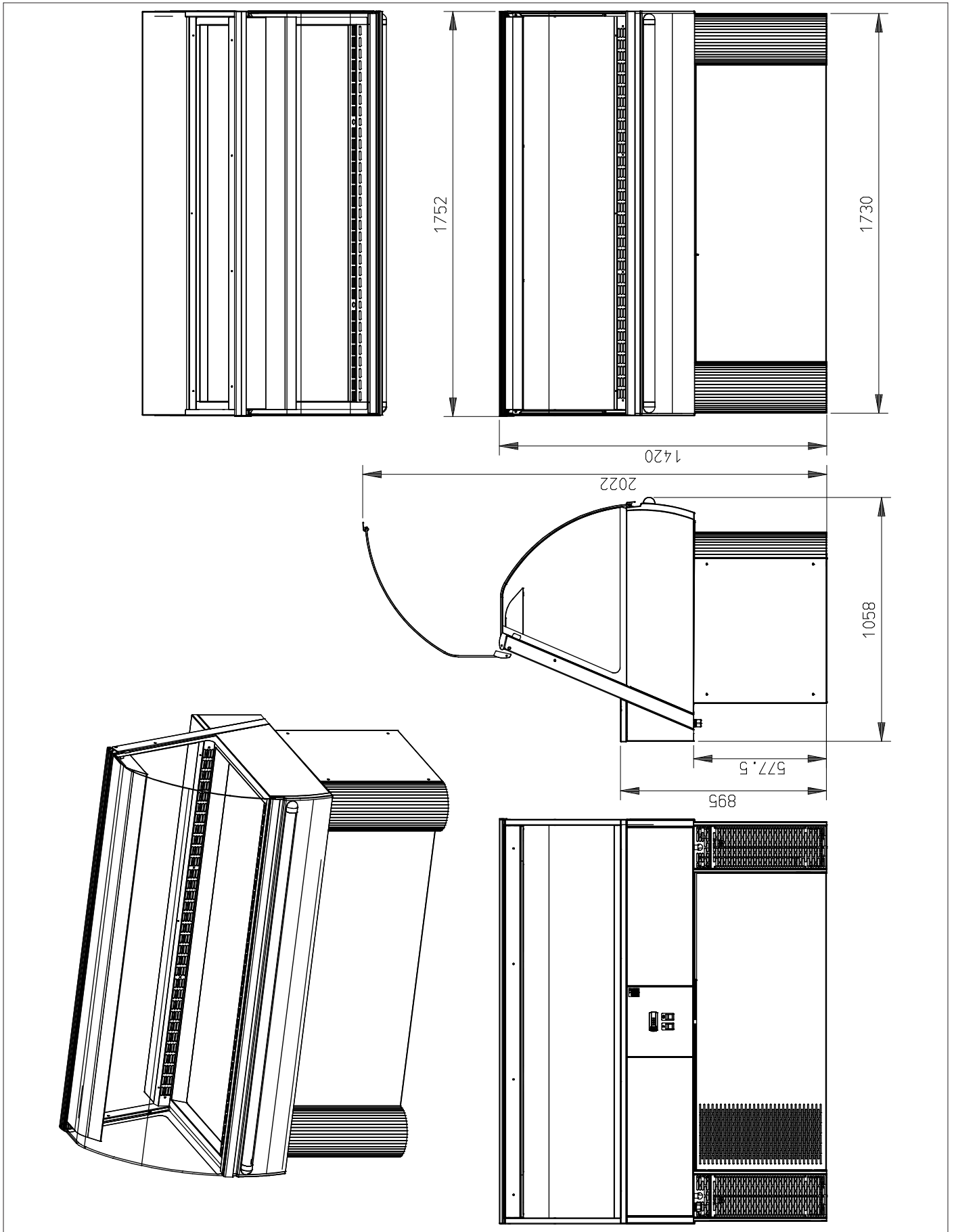
Placing and connecting the CD 3 on pedestal underframe

COLD DELI 4 ON PEDESTAL UNDERFRAME



Placing and connecting the CD 4 on pedestal underframe

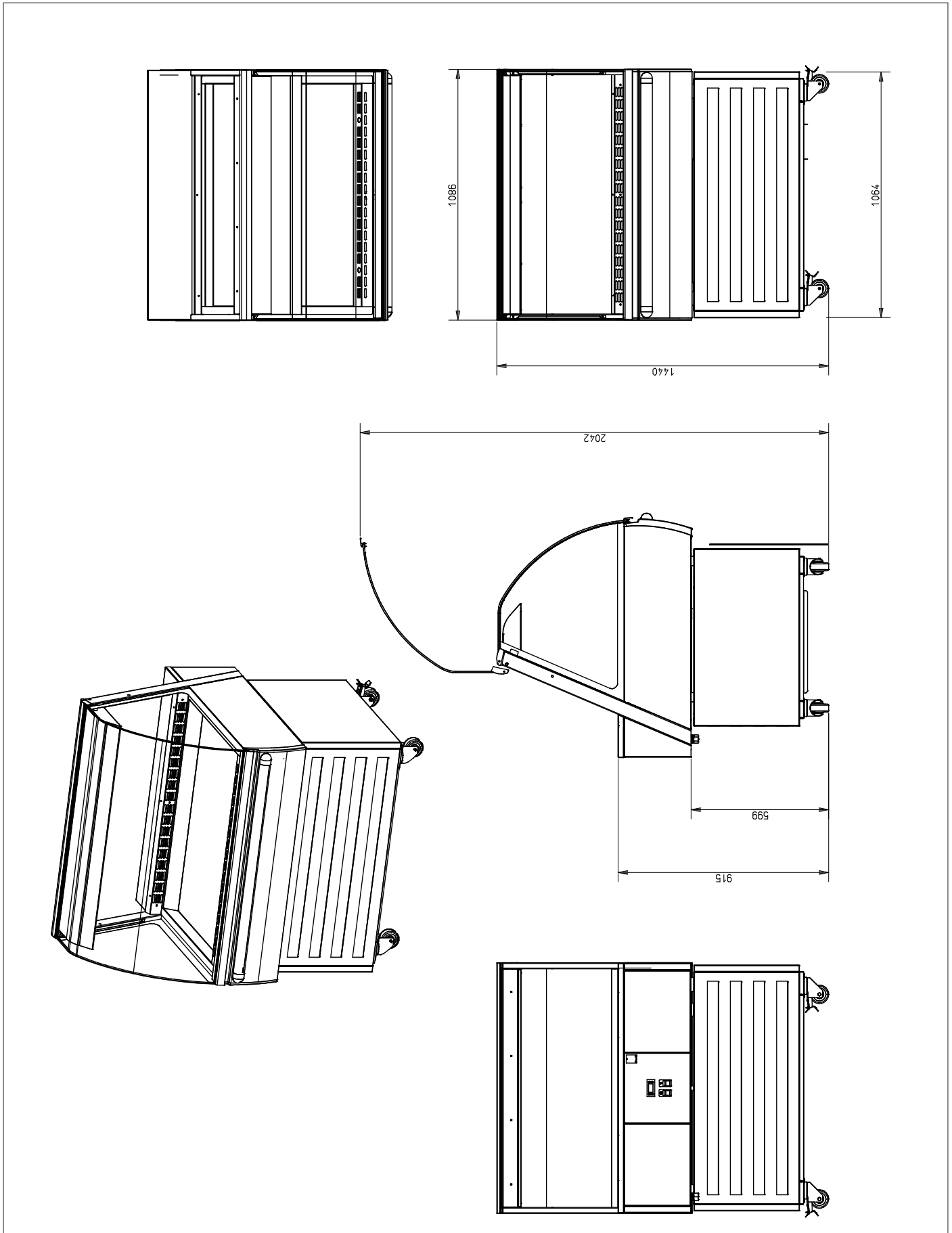
**COLD DELI 5 ON PEDESTAL UNDERFRAME**



Placing and connecting the CD 5 on pedestal underframe

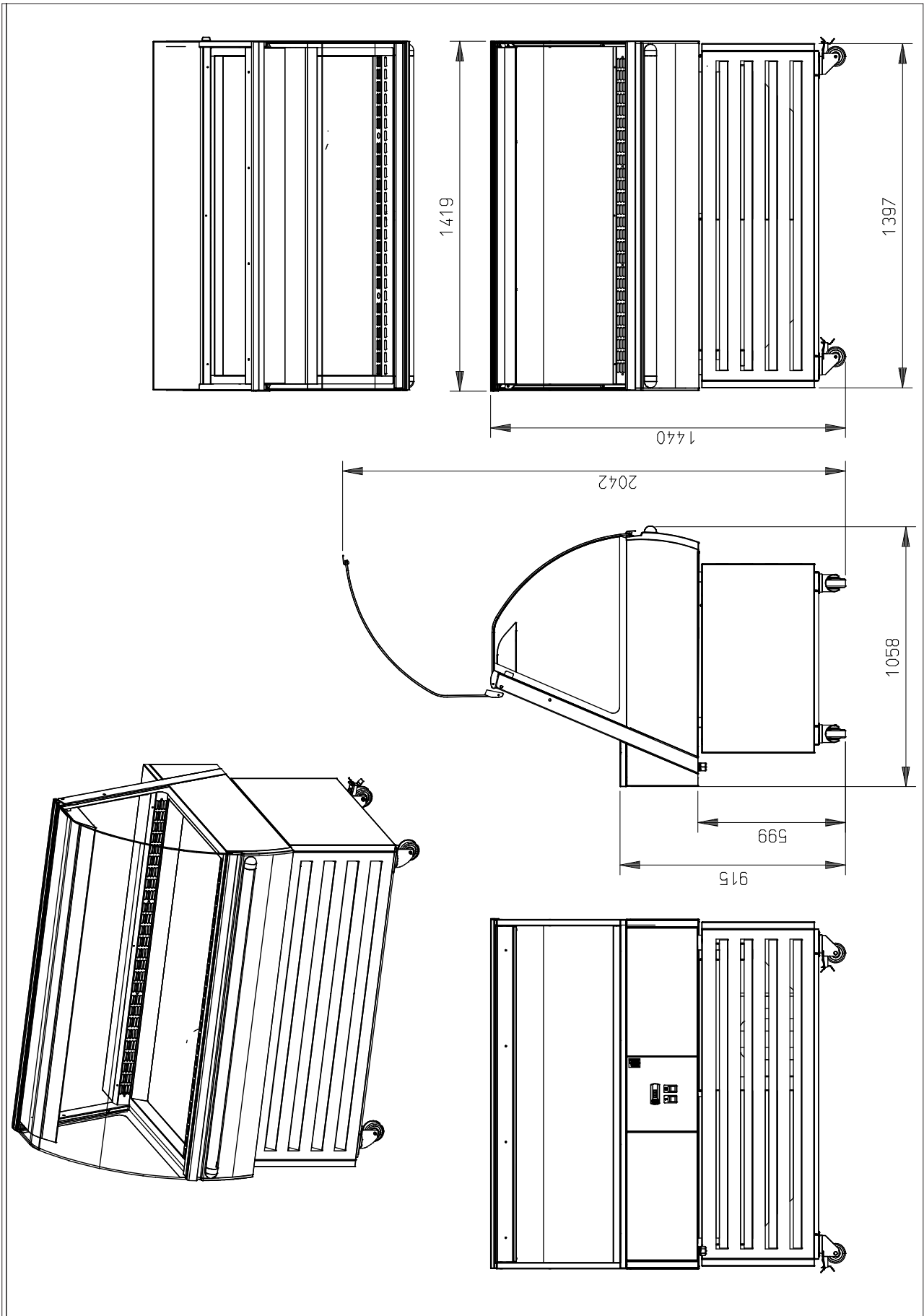


COLD DELI 3 ON UNDERFRAME WITH CASTORS



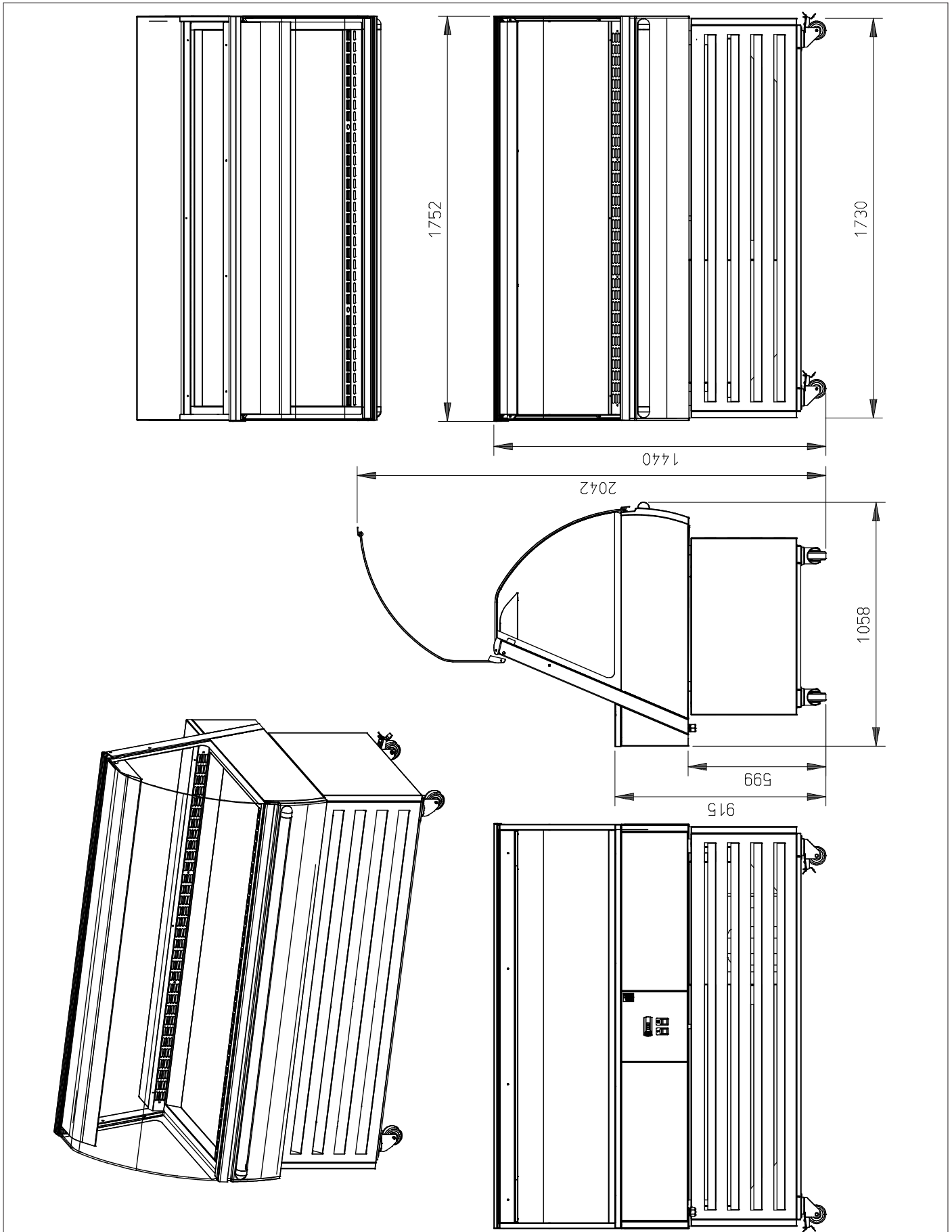
Placing and connecting the CD 3 on underframe with castors

**COLD DELI 4 ON UNDERFRAME WITH CASTORS**



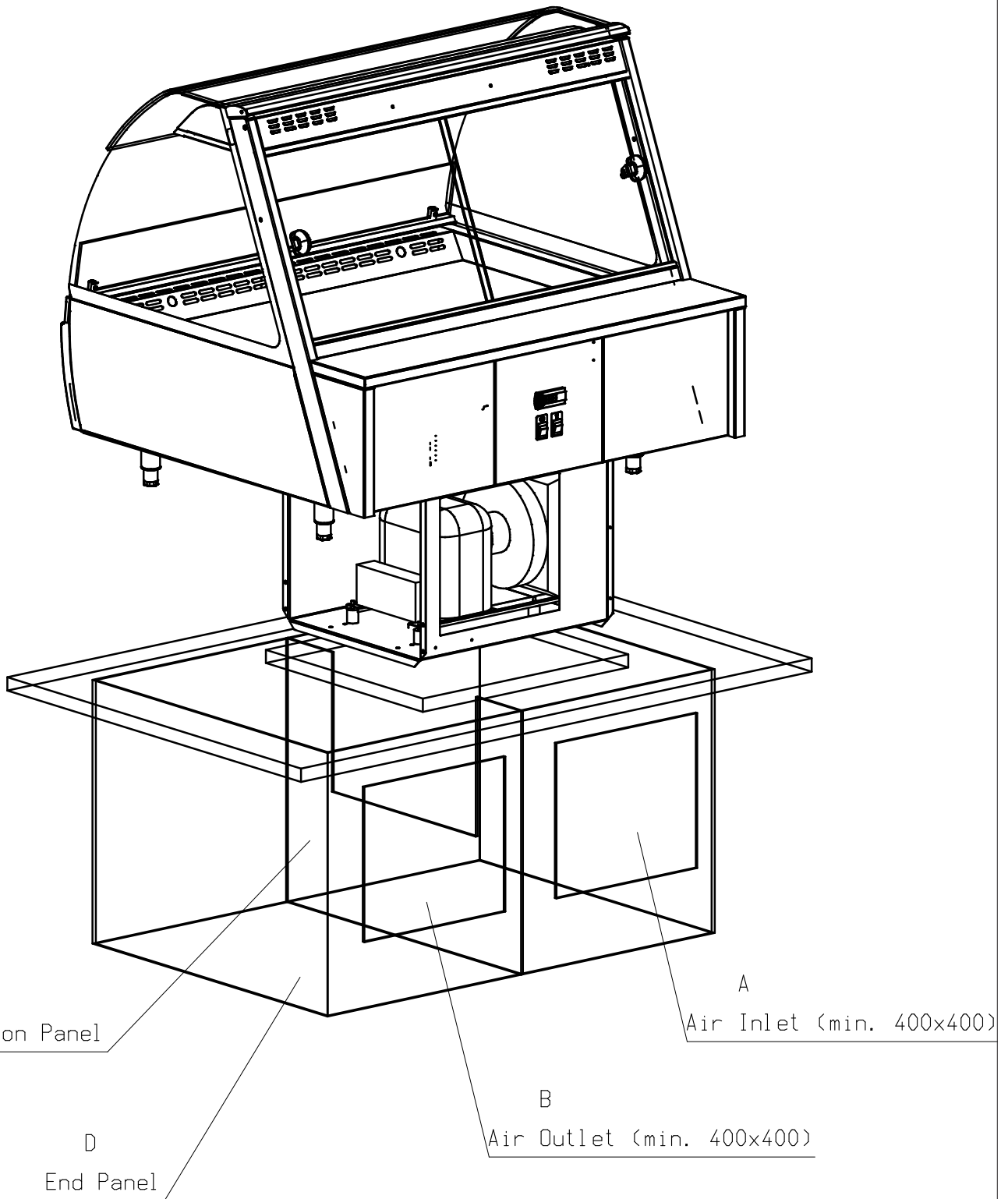
Placing and connecting the CD 4 on underframe with castors

**COLD DELI 5 ON UNDERFRAME WITH CASTORS**

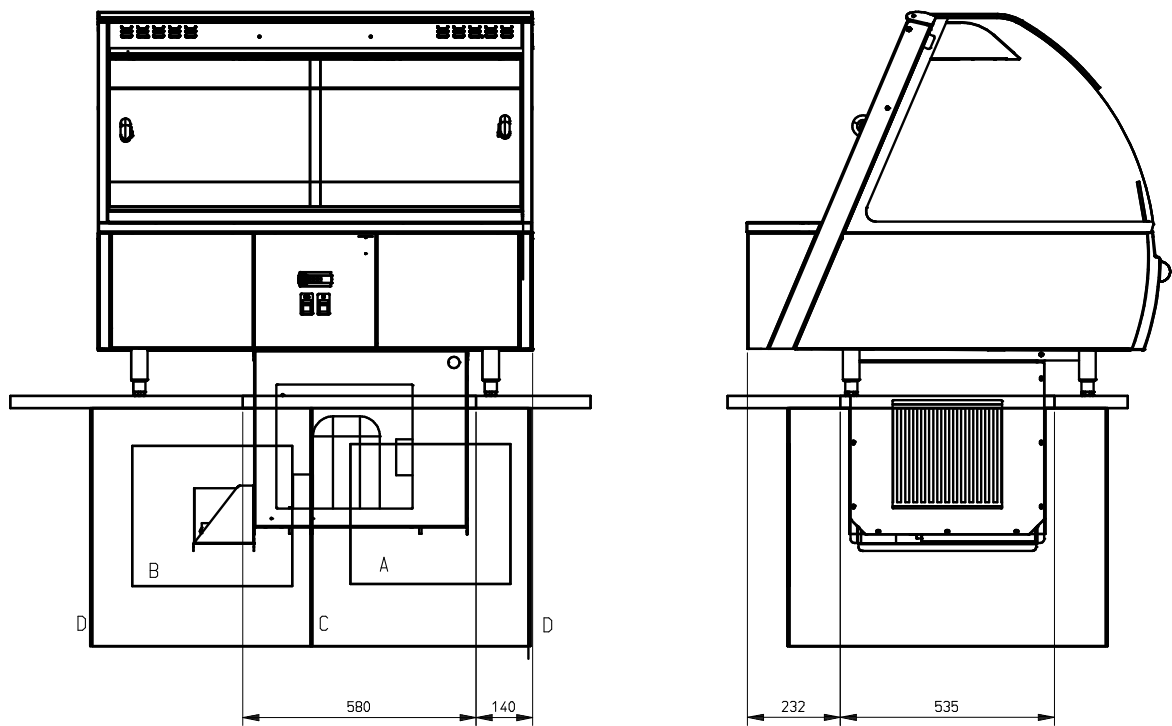
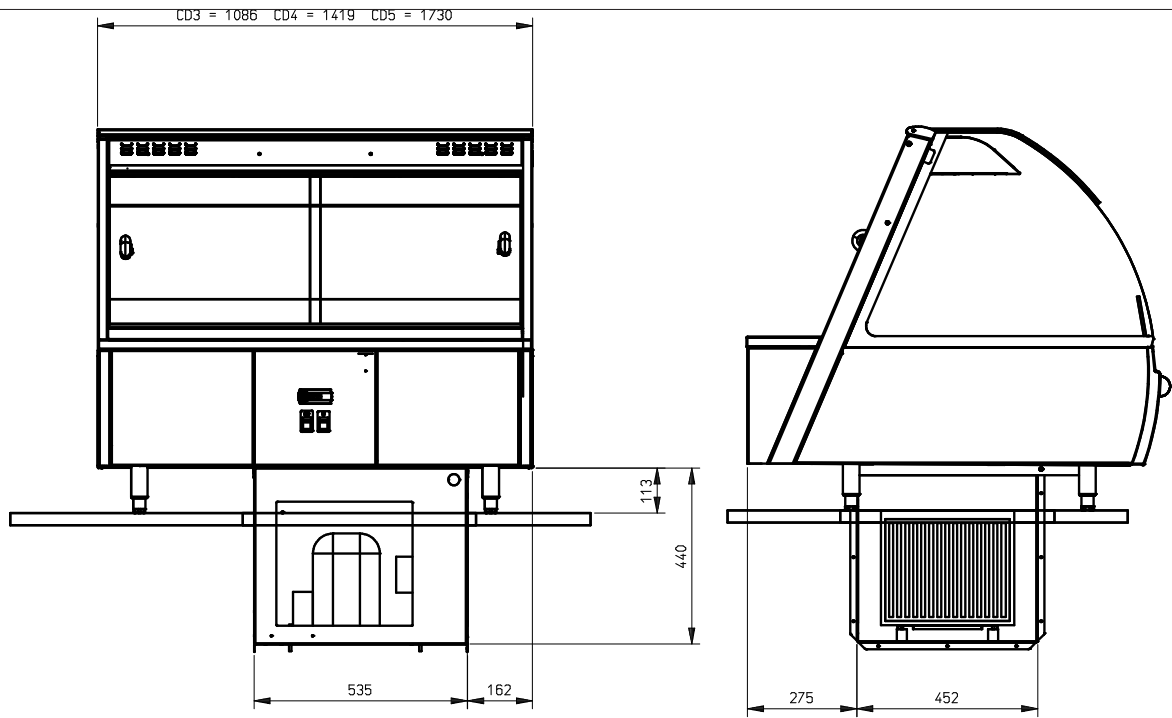


Placing and connecting the CD 5 on underframe with castors

COLD DELI DROP-IN DIMENSIONS (PART 1)



COLD DELI DROP-IN DIMENSIONS (PART 2)



A : Air Inlet (min. 400x400)  
 B : Air Outlet (min. 400x400)  
 C : Partition Panel  
 D : End Panel  
 Optional : Drip tray

**COLD DELI 3 AND 4 MODELS COUPLED**

