

Mitsubishi General-Purpose Programmable Controller Renewal Tool

Conversion Adapter

Model
ERNT-ASLT62DA



User's Manual

50CM-D180172-B(1409)

MITSUBISHI ELECTRIC ENGINEERING COMPANY LIMITED
HEAD OFFICE: HULIC KUDAN BLDG.1-13-5, KUDANKITA CHIYODA-KU, TOKYO 102-0073, JAPAN
NAGOYA ENGINEERING OFFICE: 139 SHIMOHASHIKI-KO-SHIMOHASHIKI, KASUGAI, AICHI 486-0906, JAPAN

SAFETY PRECAUTIONS

(Always read these precautions prior to use.)

Before using this product, please read this manual carefully and pay full attention to safety to ensure that the product is used correctly.

The precautions presented in this manual are concerned with this product only. For Programmable Controller system safety precautions, refer to the user's manual of the MELSEC-L series CPU module to be used.

In this manual, the safety precautions are ranked as "WARNING" and "CAUTION."

	Indicates that incorrect handling may cause hazardous conditions, resulting in death or severe injury.
	Indicates that incorrect handling may cause hazardous conditions, resulting in medium or minor injury and/or property damage.

Note that failure to observe the CAUTION level instructions may lead to a serious consequence according to the circumstances. Always follow the precautions of both levels because they are important to personal safety.

Please keep this manual in an easy-to-access location for future reference, and be sure to provide the manual to the end user.

Precautions before using

	CAUTION
●	When making a switch from the MELSEC-AnS Series to the MELSEC-L Series, be sure to consult user's manual supplied with individual module under the MELSEC-L Series to confirm differences in various aspects including performance, function, CPU input/output signals and buffer memory addresses between the two series.

Installation Precautions

	CAUTION
●	Use the Conversion Adapter in the environmental conditions that are specified in the general specification. If the Products are used in any environment beyond the bounds of the general specification, electric shock, fire, malfunction, or damage to or degradation of the Products will result.
●	Do not directly touch any conductive parts of Conversion Adapter. Contact will cause malfunction or failure in the system.
●	Fasten the Conversion Adapter and the Mounting Bracket securely with retaining screws, and tighten the screws by applying torque within specified limits. Loose screws can lead to the dropping of the Conversion Adapter or Mounting Bracket, possibly causing breakage thereof. Excessive tightness of the screws can lead to breakage of the screws, Conversion Adapter, Mounting Bracket, or MELSEC-L Series Module, possibly causing the dropping, shorting, and malfunction thereof.
●	Always check for correct match between MELSEC-L Series and the Conversion Adapter. Incorrect match can cause damage to the MELSEC-L Series Module.
●	When installing the Conversion Adapter, take care not to get your hand snagged on the Mounting Bracket or the like. Injury may result.
●	When installing or removing the MELSEC-L Series Module complete with a Converter Adapter, be sure to hold it with both hands. Dropping may lead to breakage.

Wiring Precautions

	WARNING
●	Before attempting to install the Unit or carry out the necessary wiring, make certain that the external power supply, used in the system, is shut off on all three phases. Failure to do so may result in electric shock or damage to the product.
●	After installation and wiring, close the terminal block cover before turning on the module for operation. Failure to do so may result in electric shock.

	CAUTION
●	Carry out wiring for the Conversion Adapter correctly after checking the specification and terminal arrangement for the module used. Connecting a power supply with a different voltage rating or incorrect wiring may cause a fire or failure.
●	Tighten the MELSEC-AnS Series terminal installation screws and terminal screw securely by applying torque within the specified limits. Loose screws will cause short circuit, fire or malfunction. Excessive tightening will damage the screws or the Conversion Adapter which in turn will cause dropping of parts, short circuit or malfunction.
●	Use care to prevent foreign materials including cuttings and wiring debris from entering the Conversion Adapter or the MELSEC-L Series Module. These will be cause for fire, failure or malfunction.

Startup and Maintenance Precautions

	WARNING
●	Do not touch live terminals. There is a danger of electric shock or malfunction.
●	Shut off the external power supply for the system in all phases before cleaning or retightening the terminal screws. Failure to do so may result in electric shock or cause the MELSEC-L Series module to fail or malfunction. Loose screws can lead to dropping, shorting, and malfunction. Excessive tightness of the screws can lead to breakage of the screws, Conversion Adapter, Mounting Bracket, or MELSEC-L Series Module, possibly causing the dropping, shorting, and malfunction thereof.

	CAUTION
●	Do not modify the Conversion Adapter or take it apart. Doing so will cause failure, malfunction, personal injury, or fire.
●	Do not drop the Conversion Adapter and Mounting Bracket or do not give a strong impact to it. This will cause damage.

Disposal Precautions

	CAUTION
●	When disposing of the product, treat it as industrial waste.

EMC AND LOW VOLTAGE DIRECTIVES

Compliance to the EMC Directive, which is one of the EU Directives, has been a legal obligation for the products sold in European countries since 1996 as well as the Low Voltage Directive since 1997. Manufacturers who recognize their products are compliant to the EMC and Low Voltage Directives are required to declare that print a "CE mark" on their products.

Authorized representative in Europe

Authorized representative in Europe is shown below.
Name: Mitsubishi Electric Europe BV
Address: Gothaer strasse 8, 40880 Ratingen, Germany

1. Overview

This manual describes specifications, handling and other information about the Conversion Adapter "ERNT-ASLT62DA" available as Renewal Tools for the Mitsubishi General-Purpose Programmable Controller.

The Conversion Adapter is a product for effecting conversion to transcend difference in pin assignment between the MELSEC-AnS Series and the MELSEC-L Series. Before attempting to make a switch from MELSEC-AnS Series to MELSEC-L Series in your installation, consult the user's manual supplied with individual module under the latter series to learn about how they differ in various aspects including performance and function.

Once you have opened the packaging, verify that it contains the following products.

Product	Shape	Quantity
Conversion Adapter		1
Mounting bracket		1
Mounting bracket fixing screws (M3.5 x 6)		1
Terminal block cover		1
This manual	—	1

2. General Specifications

Item	Specifications			
Operating ambient temperature	0 to 55°C (Maximum surrounding air temperature 55°C)			
Storage ambient temperature	-25 to 75°C			
Operating ambient humidity	5 to 95%RH, non-condensing			
Storage ambient humidity				
Vibration resistance	Compliant with JIS B 3502 and IEC 61131-2			
Shock resistance	Frequency	Constant acceleration	Half amplitude	Sweep count
	5 to 8.4Hz	—	3.5mm	10 times each in X, Y, Z directions
	8.4 to 150Hz	9.8m/s ²	—	—
	5 to 8.4Hz	—	1.75mm	—
8.4 to 150Hz	4.9m/s ²	—	—	
Compliant with JIS B 3502 and IEC 61131-2 (147 m/s ² , 3 times each in 3 directions X, Y, Z)				
Operating atmosphere	No corrosive gases			
Operating altitude *1	0 to 2000m			
Installation location	Inside a control panel			
Overvoltage category *2	II or less			
Pollution degree *3	2			

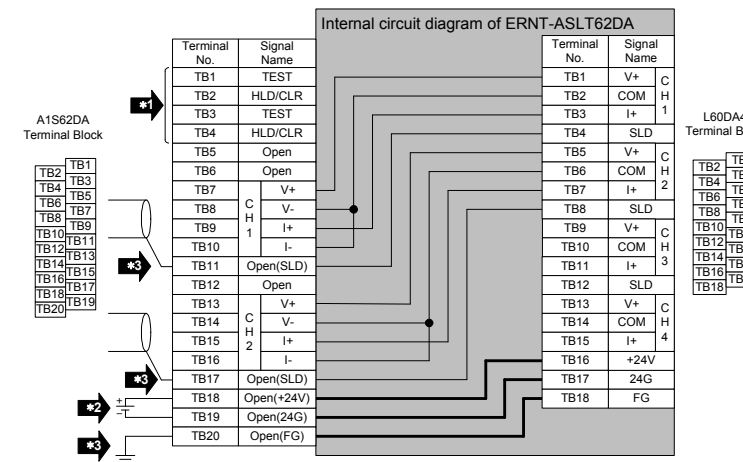
*1 : Do not use or store under pressure higher than the atmospheric pressure of altitude 0m.
*2 : This indicates the section of the power supply to which the equipment is assumed to be connected between the public electrical power distribution network and the machinery within premises. Category II applies to equipment for which electrical power is supplied from fixed facilities.
*3 : This index indicates the degree to which conductive material is generated in terms of the environment in which the equipment is used. Pollution level 2 is when only non-conductive pollution occurs. A temporary conductivity caused by condensing must be expected occasionally.

3. Product Specifications

For detail specifications which do not appear in the specification comparison charts contained herein, see the user's manual supplied with the MELSEC-L Series module you use. Those parts of the specification that differ between the MELSEC-AnS Series and the MELSEC-L Series are where a switch from the first series to the second is subjected to specification-related restrictions. Check the specification of the devices to be connected for more details.

Furthermore, it is recommended to refer to the "Transition from MELSEC-AnS/QnAS (Small Type) Series to L Series Handbook (Intelligent Function Modules): L (NA)-08259ENG" issued by Mitsubishi Electric.

Conversion Adapter Model	Before replacement MELSEC-AnS Series Module Model	No. of channels	After replacement MELSEC-L Series Module Model		Conversion Adapter Weight (g)
			Module Model	No. of modules	
ERNT-ASLT62DA	A1S62DA	2	L60DA4	1	75



< Specification Comparison >

Specifications	Model	MELSEC-AnS Series			MELSEC-L Series	
		A1S62DA			L60DA4	
Digital input	Voltage	1/4000: -4000 to 4000 1/8000: -8000 to 8000 1/12000: -12000 to 12000			-20480 to 20479 (When using the scaling function: -32768 to 32767)	
	Current	1/4000: 0 to 4000 1/8000: 0 to 8000 1/12000: 0 to 12000				
Analog output	Voltage	-10 to 0 to 10VDC (external load resistance: 2kΩ to 1MΩ)			-10 to 10VDC (external load resistance: 1kΩ to 1MΩ)	
	Current	0 to 20mADC (external load resistance: 0Ω to 600Ω)			0 to 20mADC (external load resistance: 0Ω to 600Ω)	
I/O characteristics	Resolution	1/4000	1/8000	1/12000	Analog output	
		4000	8000	12000	Voltage output (*1)	Current output (*2)
Digital input value	0	0	0	10V	20mA	
	-2000	-4000	-6000	5V	12mA	
Maximum resolution	Voltage output	2.5mV	1.25mV	0.83mV		
	Current output	5μA	2.5μA	1.7μA		
Overall accuracy		±1.0% (Voltage output: ±100mV, Current output: ±200μA)			Ambient temperature 25±5°C: Within ±0.1% (voltage: ±10mV, current: ±20μA) Ambient temperature 0 to 55°C: Within ±0.3% (voltage: ±30mV, current: ±60μA)	
Maximum conversion speed		Maximum 25ms/2 channels (same for 1 channel)			20μs/channel	
Absolute maximum output		Voltage: ±12V Current: +28mA			—	
Analog output points		2 channels			4 channels	
Insulation method	Between output terminals and programmable controller power supply	Photocoupler insulation			Photocoupler insulation	
	Between terminals	No insulation			No insulation	
	Between external power supply and analog output	—			Transformer insulation	
Number of occupied I/O points		32 points			16 points	
Connected terminal block		20-point terminal block			18-point terminal block	
External power supply	Voltage	—			24VDC +20%, -15%	
	Current	—			0.18A	
Current consumption		0.8A			0.16A	

*1: When the offset value is set to 0V and the gain value is set to 10V.

*2: When the offset value is set to 4mA and the gain value is set to 20mA.

Make sure the section of the above table meets the specification of the machines and equipment connected to the MELSEC-L Series module.

Precautions for programming

- (1) A1S62DA and L60DA4 differ from each other in the way input/output signals (X, Y) and buffer memory addresses are allocated. Therefore, you need make necessary changes to the sequence program that is used.
- (2) CH3 and CH4 of L60DA4 cannot be used.

4. Mounting and Installation

4.1 Handling Precautions

- Before attempting to install the Unit or carry out the necessary wiring, make certain that the external power supply, used in the system, is shut off on all three phases. Failure to do so may result in electric shock or damage to the product.
- Do not touch live terminals. There is a danger of electric shock or malfunction.
- Do not modify the Conversion Adapter or take it apart. Doing so will cause failure, malfunction, personal injury, or fire.
- Do not touch the energized part of the Conversion Adapter directly. Contact will cause malfunction or failure in the system.
- Fasten the Conversion Adapter and the Mounting bracket securely with retaining screws, and tighten the screws by applying torque within specified limits. Loose screws can lead to the dropping of the Conversion Adapter, or Mounting bracket, possibly causing breakage thereof. Excessive tightness of the screws can lead to breakage of the screws, Converter Adaptor, Mounting bracket, or MELSEC-L Series Module, possibly causing the dropping, shorting, and malfunction thereof.
- Use care to prevent foreign materials including cuttings and wiring debris from entering the Conversion Adapter or the MELSEC-L Series Module. These will be cause for fire, failure or malfunction.
- Do not drop the Conversion Adapter and Mounting Bracket or do not give a strong impact to it. This will cause damage.

4.2 Use Precautions

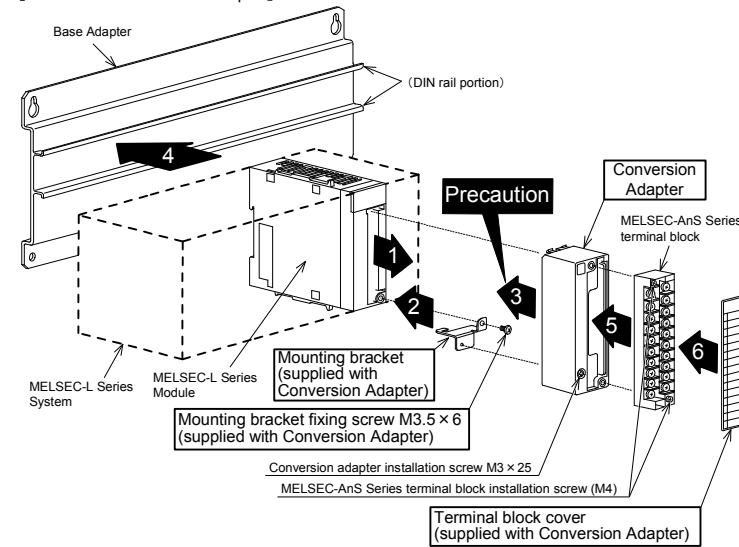
Item	Use Precautions
Width dimension of module	<p>Because the module is reduced in width dimension (34.5mm→28.5mm) and thus in area available for wiring, check dimensional data before installing the module.</p> <p><MELSEC-AnS Series> <MELSEC-L Series></p> <p><MELSEC-AnS Series> <MELSEC-L Series></p>
Depth and Height dimension	<p>Installation with the Base Adapter</p> <p>Because the module is increased in depth dimension, check dimensional data before installing the module.</p> <p>Installation with the DIN rail</p> <p>Because the module is increased in depth and height dimension, check dimensional data before installing the module.</p>
Terminal block cover	<p>The terminal block cover for MELSEC-AnS Series is bigger than the width of the MELSEC-L Series Module. Therefore, it is necessary to replace it with the terminal block cover supplied with the converter adapter.</p> <p><MELSEC-AnS Series> <MELSEC-L Series></p>

4.3 Installation Environment

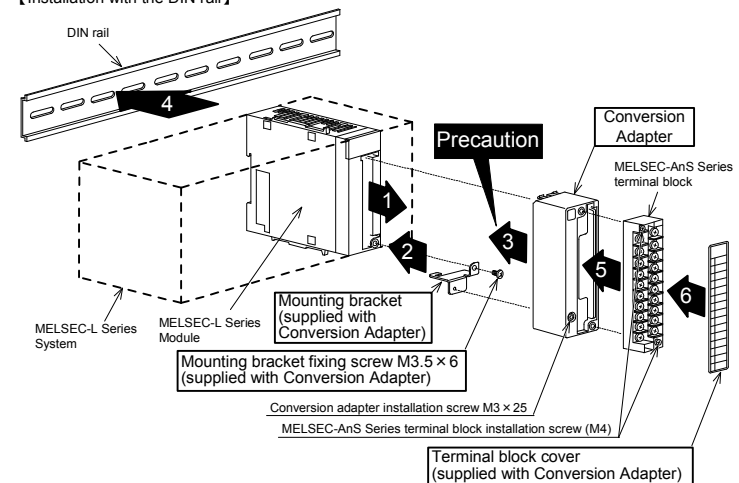
The installation environment is the same as MELSEC-L series CPU Module to use. Refer to the user's manual of the MELSEC-L Series CPU Module to be used.

5. Part Names and Installation Method

【Installation with the Base Adapter】

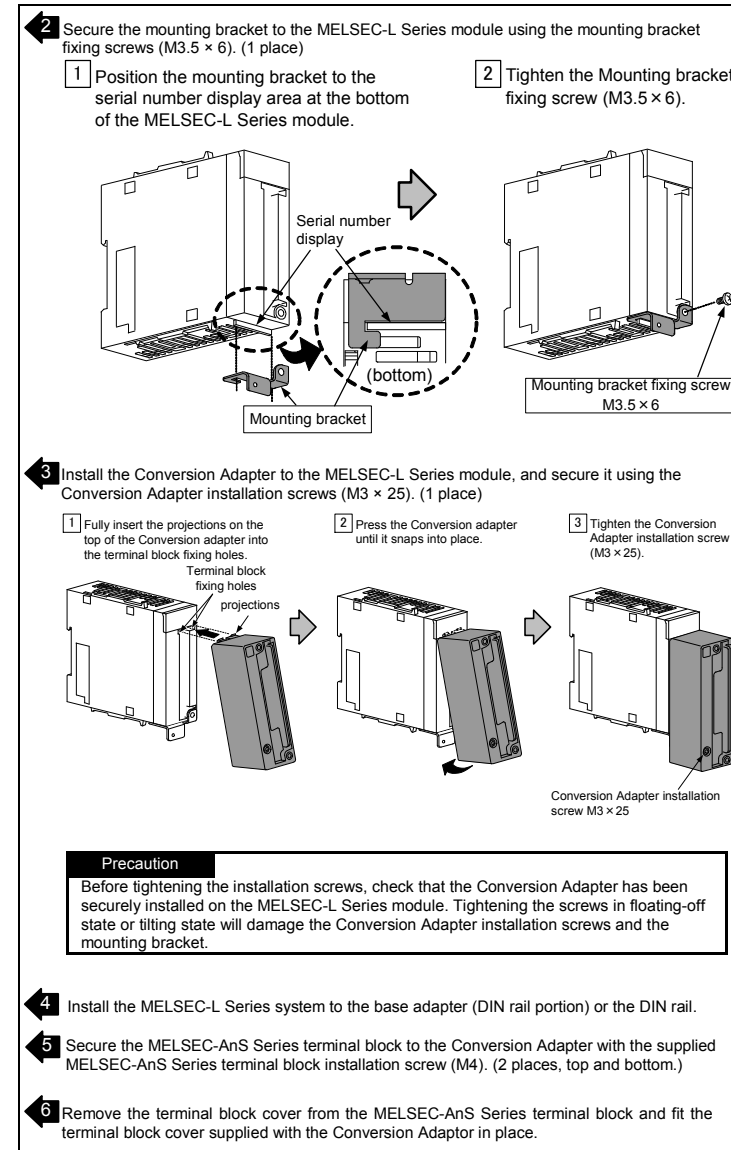
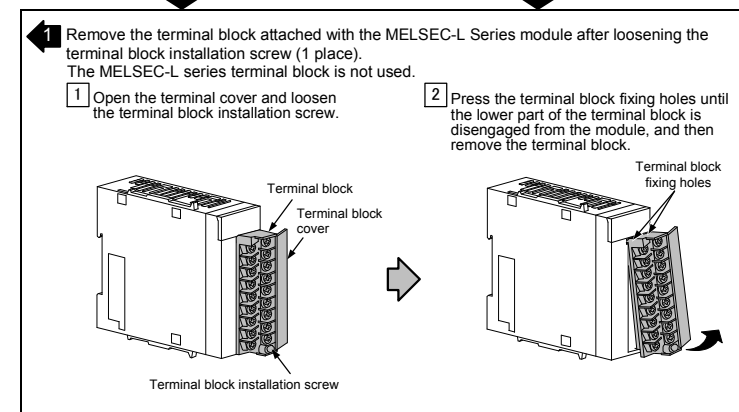


【Installation with the DIN rail】



5.1 Installation Method

Installation with the Base Adapter	Installation with the DIN rail
Remove the existing MELSEC-AnS Series base unit, and install the base adapter ERNT-ASLB□□. For how to install the base adapter, refer to the base adapter manual.	Install the DIN rail on the control panel. For how to install the DIN rail, refer to the user's manual of the MELSEC-L CPU module.

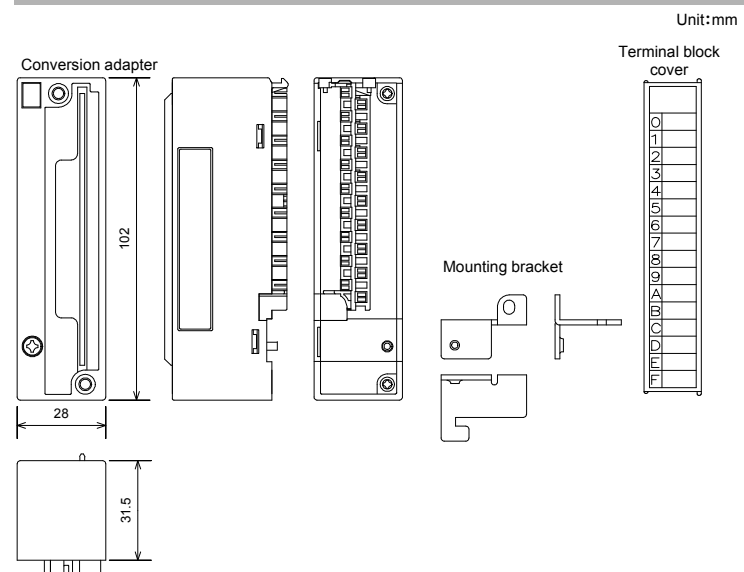


5.2 Tightening Torque

Tighten the installation screws to the specified torque below. An inappropriate tightening torque could cause the product to fall or result in a short circuit, product failure or malfunction.

Screw Location	Tightening Torque Range
Mounting bracket fixing screw (M3.5x6)	0.68 to 0.92N·m
Conversion Adapter installation screw (M3x25)	0.43 to 0.57N·m
MELSEC-AnS Series terminal block installation screw (M4 screw)	0.78 to 1.18N·m

6. External Dimensions



Duplication Prohibited

This manual may not be reproduced in any form, in part or in whole, without written permission from Mitsubishi Electric Engineering Company Limited.
©2014 MITSUBISHI ELECTRIC ENGINEERING COMPANY LIMITED ALL RIGHTS RESERVED

MELSEC is a registered trademark of Mitsubishi Electric Corporation.

Product Warranty Details

Please confirm the following product warranty details prior to product use.

Gratis Warranty Terms and Gratis Warranty Range

If any fault or defect (hereinafter referred to as "Failure") attributable to Mitsubishi Electric Engineering Company Limited (hereinafter referred to as "MEE") should occur within the gratis warranty period, MEE shall repair the product free of charge via the distributor from whom you made your purchase.

Gratis Warranty Period

The gratis warranty period of this product shall be one (1) year from the date of purchase or delivery to the designated place. Note that after manufacture and shipment from MEE, the maximum distribution period shall be six (6) months, and the gratis warranty period after manufacturing shall be limited to eighteen (18) months. In addition, the gratis warranty period for repaired products shall not exceed the gratis warranty period established prior to repair.

Gratis Warranty Range

The gratis warranty range shall be limited to normal use based on the usage conditions, methods and environment, etc., defined by the terms and precautions, etc., given in the instruction manual, user's manual and caution labels on the product.

Warranty Period after Discontinuation of Production

- MEE shall offer product repair services (fee applied) for seven (7) years after production of the product has been discontinued. Discontinuation of production shall be reported via distributors.
- Product supply (including spare parts) is not possible after production has been discontinued.

Exclusion of Opportunity Loss and Secondary Loss from Warranty Liability

Regardless of the gratis warranty period, MEE shall not be liable for compensation for damages arising from causes not attributable to MEE, opportunity losses or lost profits incurred by the user due to Failures of MEE products, damages or secondary damages arising from special circumstances, whether foreseen or unforeseen by MEE, compensation for accidents, compensation for damages to products other than MEE products, or compensation for other work carried out by the user.

Changes in Product Specifications

The specifications given in the catalogs, manuals and technical documents are subject to change without notice.

This document is a new publication, effective September 2014. Specifications are subject to change without notice.

Developed September 2014
50CM-D180172-B