

# INSTALLATION & OPERATING INSTRUCTIONS

## Econopak Water Heaters



**Models 0090A, 0135A  
& 0195A – Type WH**



**WARNING:** If the information in these instructions is not followed exactly, a fire or explosion may result causing property damage, personal injury or death.

**FOR YOUR SAFETY:** Do not store or use gasoline or other flammable vapors and liquids in the vicinity of this or any other appliance.

**WHAT TO DO IF YOU SMELL GAS:**

- Do not try to light any appliance.
- Do not touch any electrical switch; do not use any phone in your building.
- Immediately call your gas supplier from a neighbor's phone. Follow the gas supplier's instructions.
- If you cannot reach your gas supplier, call the fire department.

Installation and service must be performed by a qualified installer, service agency or the gas supplier.

This manual should be maintained in legible condition and kept adjacent to the heater or in a safe place for future reference.

**Raypak**  
A Rheem® Company

**Rev. 8 reflects the following:** Changes to: Paragraph 3 of the **GENERAL SPECIFICATIONS** section on page 6; Fig. 7 on page 12; the **Wiring Diagrams** on pages 14 and 15; Fig. 8 on page 16; Fig. 12 on page 19; Fig. 15 on page 20; the **TROUBLESHOOTING** chart on page 23. **The addition of:** A note to Fig. 2 on page 7.

---

# CONTENTS

<b>WARNINGS</b>	<b>4</b>	<b>SERVICING PROCEDURES</b>	<b>16</b>
Pay Attention to These Terms	4	Sequence of Operation	16
<b>GENERAL SAFETY</b>	<b>5</b>	Start-up Procedures	16
Time/Temperature Relationships in Scalds	5	Repair Section	22
<b>RECEIVING EQUIPMENT</b>	<b>6</b>	<b>TROUBLESHOOTING</b>	<b>23</b>
<b>GENERAL SPECIFICATIONS</b>	<b>6</b>	<b>ADJUSTMENTS &amp; REPLACEMENT</b>	
<b>INSTALLATION</b>	<b>8</b>	<b>OF COMPONENTS</b>	<b>25</b>
Code Requirements	8	Gas Valve Replacement	25
Mounting Base	8	Pilot Burner Cleaning or Replacement (Standing Pilot)	25
Clearances	8	Flame Roll-out Switch Replacement	25
Combustion & Ventilation Air	8	Vent Thermal Switch Replacement	25
Venting Connections	9	Ignition Module Replacement	25
Gas Supply Connections	11	Transformer Replacement	25
Water Connections & System		Circulator Replacement	26
Piping	12	Replacement Parts	26
Electrical Wiring	13	<b>WARRANTY</b>	<b>27</b>
Wiring Diagram—Standing Pilot—Models 0090, 0135 & 0195	14		
Wiring Diagram—IID—Models 0090, 0135 & 0195	15		

# WARNINGS—Pay Attention to These Terms

<b>DANGER:</b>	Indicates the presence of immediate hazards which will cause severe personal injury, death or substantial property damage if ignored.
<b>WARNING:</b>	Indicates the presence of hazards or unsafe practices which could cause severe personal injury, death or substantial property damage if ignored.
<b>CAUTION:</b>	Indicates the presence of hazards or unsafe practices which could cause minor personal injury or product or property damage if ignored.
<b>NOTE:</b>	Indicates special instructions on installation, operation, or maintenance which are important but not related to personal injury hazards.

**DANGER:** Failure to install the draft hood and properly vent the water heater to the outdoors as outlined in the Venting section of this manual can result in unsafe operation of the water heater. To avoid the risk of fire, explosion, or asphyxiation from carbon monoxide, never operate this water heater unless it is properly vented and has an adequate air supply for proper operation. Be sure to inspect the vent system for proper installation at initial start-up; and at least annually thereafter. Refer to the Maintenance section of this manual for more information regarding vent system inspections.

**DANGER:** Water heaters utilizing propane gas are different from natural gas models. A natural gas heater will not function safely on propane gas and vice versa. Conversion from Natural gas to propane gas (or vice versa) must be done by a qualified service technician. To avoid possible equipment damage, personal injury or fire: DO NOT connect this water heater to a fuel type not in accordance with unit data plate. Propane for propane units, Natural gas for natural gas units. These units are not certified for any other type fuel.


**DANGER: PROPANE MODELS:** Propane gas must be used with great caution.

- It is heavier than air and will collect first in lower areas making it hard to detect at nose level.
- Make sure to look and smell for propane leaks before attempting to light appliance. Use a soapy solution to check all gas fittings and connections. Bubbling at a connection indicates a leak that must be corrected. When smelling to detect an propane leak, be sure to sniff near the floor too.
- Gas detectors are recommended in propane applications and their installation should be in accordance with the manufacturer's recommendations and/or local laws, rules, regulations or customs.
- It is recommended that more than one method be used to detect leaks in propane applications.

**WARNING:** Gasoline, as well as other flammable materials and liquids (adhesives, solvents, etc.), and the vapors they produce, are extremely dangerous. DO NOT handle, use or store gasoline or other flammable or combustible materials anywhere near or in the vicinity of a water heater. Be sure to read and follow the warning label pictured below and other labels on the water heater, as well as the warnings printed in this manual. Failure to do so can result in property damage, bodily injury, or death.

**WARNING:** Propane appliances should not be installed below-grade (for example, in a basement) if such installation is prohibited by federal, state and/or local laws, rules, regulations or customs.

! **DANGER**



**!** Vapors from flammable liquids will explode and catch fire causing death or severe burns.

Do not use or store flammable products such as gasoline solvents or adhesives in the same room or area near the water heater.

Keep flammable products:

1. far away from heater,
2. in approved containers,
3. tightly closed and
4. out of children's reach.

Water heater has a main burner and pilot flame. The pilot flame:

1. is on all the time and
2. will ignite flammable vapors.

Vapors:

1. cannot be seen,
2. are heavier than air,
3. go a long way on the floor,
4. can be carried from other room to the pilot flame by their currents.

**Installation:**  
Do not install water heater where flammable products will be stored or used unless the main burner and pilot flames

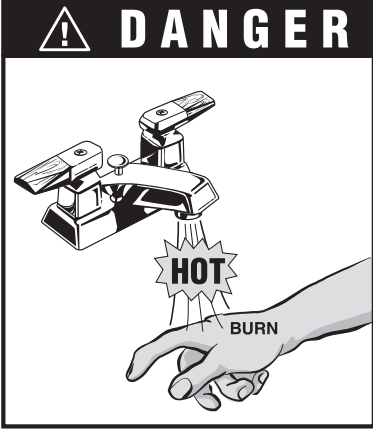
are at least 18" above the floor. This will reduce, but not eliminate, the risk of vapors being ignited by the main burner or pilot flame.

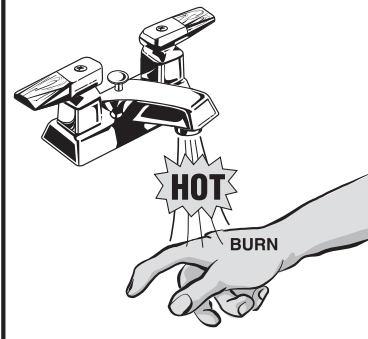
Read and follow water heater warnings and instructions. If owners manual is missing, contact the retailer or manufacturer.

# GENERAL SAFETY

To meet commercial hot water requirements, the tankstat is adjustable up to 190°F. However, water temperatures over 125°F can cause severe burns instantly or death from scalds. This is the preferred starting point for setting the control for supplying general purpose hot water.

Safety and energy conservation are factors to be considered when setting the water temperature on the tankstat. The most energy efficient operation will result when the temperature setting is the lowest that satisfies the needs consistent with the application.

 **DANGER**



**Water temperature over 125°F can cause instant severe burns or death from scalds.**

**Children, disabled, and elderly are at highest risk of being scalded.**

**See instruction manual before setting temperature at water heater.**

**Feel water before bathing or showering.**

**Temperature limiting valves are available, see manual.**

Maximum water temperatures occur just after burner has shut off. To find hot water temperature being delivered, turn on a hot water faucet and place a thermometer in the hot water stream and read the thermometer.

Table A details the relationship of water temperature and time with regard to scald injury and may be used as a guide in determining the safest water temperature for your applications.

Temperature	Time to Produce Serious Burn
120°F	More than 5 minutes
125°F	1-1/2 to 2 minutes
130°F	About 30 seconds
135°F	About 10 seconds
140°F	Less than 5 seconds
145°F	Less than 3 seconds
150°F	About 1-1/2 seconds
155°F	About 1 second

Table courtesy of Shriners Burn Institute.

**Table A: Time to Produce Serious Burn**

## Time/Temperature Relationships in Scalds

The temperature of the water in the storage tank can be regulated by setting the temperature dial on front of the tankstat. To comply with safety regulations, the tankstat was set at its lowest setting before shipment from the factory.

Fig. 1 illustrates the tankstat. To adjust the water temperature, insert a small straight screwdriver into slotted screw in hole in front of tankstat and turn wheel to desired setting. Thermostat is adjustable up to 190°F.



**Fig. 1: Tankstat Adjustment**

---

**DANGER:** There is a Hot Water SCALD Potential if the tankstat is set too high.

**CAUTION:** Hotter water increases the risk of SCALDING!

**NOTE:** When this heater is supplying general purpose hot water requirements for use by individuals, a thermostatically controlled mixing valve for reducing point of use water temperature is recommended to reduce the risk of scald injury. Contact a licensed plumber or the local plumbing authority for further information.

## RECEIVING EQUIPMENT

On receipt of your equipment it is suggested that you visually check for external damage to the carton. If the carton is damaged, it is suggested that a note be made on the Bill of Lading when signing for equipment. Remove the heater from the carton and if it is damaged report the damage to the carrier immediately. Be sure that you receive the number of packages indicated on the Bill of Lading. Claims for shortages and damages must be filed with carrier by consignee.

Purchased parts are subject to replacement only under the manufacturer's warranty. Debits for defective replacement parts will not be accepted and defective parts will be replaced in kind only per our standard warranties.

When ordering parts, you must specify Model and Serial Number of the heater. When ordering under

warranty conditions, you must also specify date of installation.

Raypak recommends that this manual be reviewed thoroughly before installing your Raypak heater. If there are any questions which this manual does not answer, please contact your local Raypak representative.

## GENERAL SPECIFICATIONS

The Raypak water heaters are design certified by the and tested under the requirements of the American National Standard, ANSI Z21.10.3. Each heater has been constructed and pressure tested in accordance with the requirements of Section IV of the American Society of Mechanical Engineers Code, and factory fire tested.

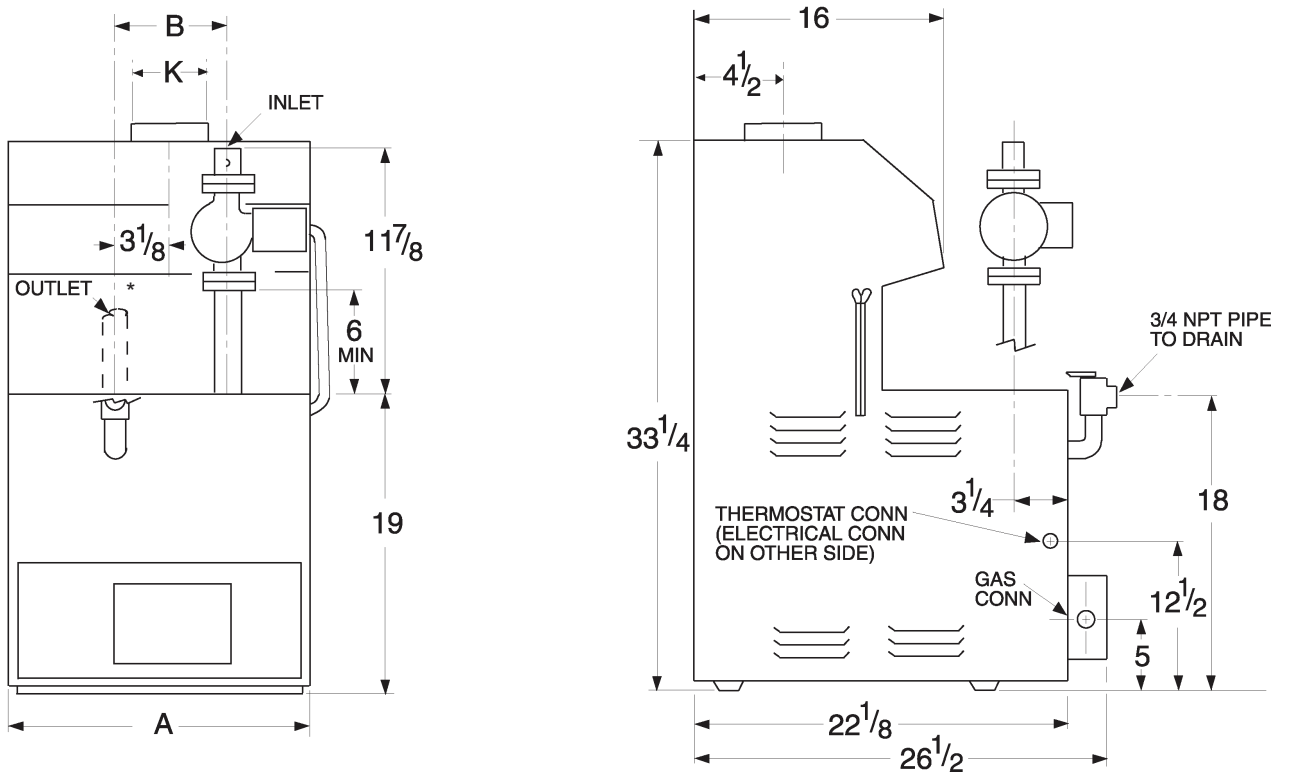
These heaters are designed for indoor and outdoor installations, and can be installed on combustible flooring when the appropriate listed floor shield base is used.

Models are available with standing pilot or with intermittent ignition device (IID), and are equipped with the following components as standard: water circulation pump, pressure relief valve, manual reset high limit switch, flow switch, vent thermal and flame roll-out switches, 40VA transformer, and redundant combination gas valve for use with either Natural or Propane gases. A tankstat is supplied loose for installation in the field.

Model No.	Input (MBH)	Recovery (gph)	Tank (Gal)**	Piping Connections (in.)		Dimensions (in.)		
				Water (NPT)	Gas (NPT)	A	B	K (Vent Dia.)
WH-0090	90	90	80	1	1/2	11	5-3/4	5
WH-0135	135	132	80	1-1/4	1/2	18	6-1/4	6
WH-0195	195	192	80	1-1/4	1/2	18	6-1/4	7

Recovery gph based on manufacturer's rating.  
 \*\*May be used with other tank size capacity.

**Table B: Specifications and Dimensions**



\*Flow switch and temperature and pressure gauge must be field installed in the outlet water connection of the heater.

**Fig. 2: Dimensions**

# INSTALLATION

## Code Requirements

Installation must be in accordance with local codes, or, in the absence of local codes, with the latest editions of the National Fuel Gas Code, ANSI Z223.1, NFPA 54, and the National Electrical Code, ANSI/NFPA 70. In Canada installations must conform with the current CAN/CSA B149 and the Canadian Electrical Code Part 1 CSA C22.2 No.1.

Where required by the authority having jurisdiction, the installation must conform to American Society of Mechanical Engineers Safety Code for Controls and Safety Devices for Automatically Fired Heaters, CSD-1.

## Mounting Base

This heater should be mounted on a level, non-combustible surface. Heater must not be installed on carpeting. This heater can be installed on a combustible surface only when the appropriate listed floor shield base is provided. An optional listed floor shield base is available for factory installation with the heater on all indoor models.

**NOTE:** The heater should be located in an area where water leakage will not result in damage to the area adjacent to the appliance or to the structure. When such locations cannot be avoided, it is recommended that a suitable drain pan, adequately drained, be installed under the appliance. The pan must not restrict air flow.

In addition, the heater shall be installed such that the gas ignition system components are protected from water (dripping, spraying, rain, etc.) during appliance operation and service (circulator replacement, control replacement, etc.).

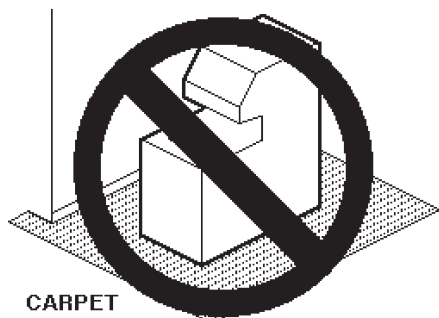


Fig. 3: Do Not Install on Carpeting

## Clearances

Heater Side	Minimum Distance from Combustible Surfaces
Floor	Combustible*
Front	Alcove**
Back	6 in.
Right	6 in.
Left	6 in.
Top (Indoor)	16 in.
Top (Outdoor)	Unobstructed
Flue Vent	6 in.

\*Except for carpeted flooring, heaters are certified for installation on combustible floors, when equipped with listed floor shield base.

\*\*A front clearance of at least 24 in. is recommended for adequate service of burner-tray and controls.

For uninsulated hot water pipes, maintain a 2 inch clearance, or consult the local authority having jurisdiction.

Table C: Minimum Clearances from Combustible Surfaces

## Combustion & Ventilation Air (Indoor models only)

**WARNING:** Air supply to the heater room must not be affected by mechanical exhaust vents located in other parts of the house, such as kitchen or bathroom fans, or attic blowers. Mechanical exhaust vents may create a negative pressure condition in the heater room that can become a hazard of asphyxiation, explosion or fire.

**CAUTION:** Combustion air must not be contaminated by corrosive chemical fumes which can damage the heater. Measures must be taken to prevent the entry of corrosive chemical fumes to the combustion and ventilation air supply. Such chemicals include, but are not limited to, chlorinated and/or fluorinated hydrocarbons such as found in refrigerants, aerosol propellants, dry-cleaning fluids, degreasers, and paint removers. Other harmful elements may come from bleaches, air fresheners, or mastics. Vapors from these types of products can form corrosive acid compounds when burned in a gas flame. The resulting acid condensate can damage or substantially reduce the life of the heater. It may be necessary to provide outside air directly to the heater in order to avoid this problem.



1. The heater must be provided with adequate supply of air for proper combustion and ventilation in accordance with Sec. 5.3 of the latest edition of the National Fuel Gas Code, ANSI Z223.1, or applicable provisions of the local building codes.
2. If the heater room is located against an outside wall and air openings can communicate directly with the outdoors, the **TWO** openings on the outside wall must each have a net free area, in square inches as shown in Table D.

Model No.	Sq. in. of Each Free Area
0090	24
0135	35
0195	50

**Table D: Minimum Net Free Area**

Location of the openings is the same as in the previous case - that is, within 12 inches of the top, and within 12 inches of the bottom of the enclosure. If horizontal ducts are used, the area must be doubled and the duct area shall not be less than the area of the openings they connect, and in no case shall the smallest dimension be less than 3 inches.

## Venting Connections

Vent piping the same size or larger than the draft hood outlet is recommended, however, when the total vent height is at least ten (10) feet (draft hood relief opening to vent terminal), the vent pipe size may be reduced as specified in the National Fuel Gas Code, ANSI Z 223.1. As much as possible avoid long horizontal runs of vent pipe and too many elbows.

If installation requires horizontal runs, the vent pipe must have a **minimum** of 1/4 inch per foot rise and should be supported at not more than five foot intervals. Plumbers tape, crisscrossed, will serve to space both horizontal and vertical piping. Maximum vent connector horizontal length shall be 1-1/2 feet (18 inches) for each inch of connector diameter as shown in Table E.

Gas vents supported only by the flashing and extending above the roof more than five feet should be securely guyed or braced to withstand snow and wind loads. We recommend use of insulated vent pipe spacer through the roofs and walls.

Model No.	Vent Connector Diameter (in.)	Max. Horizontal Length (ft)
0090	5	7.5
0135	6	9
0195	7	10.5

**Table E: Vent Piping Specifications**

For protection against rain or blockage by snow, the vent pipe must terminate with a listed vent cap which complies with the local codes or, in the absence of such codes, to the latest edition of the National Fuel Gas Code, ANSI Z223.1.

The discharge opening must be a minimum of two feet vertically from the roof surface and at least two(2) feet higher than any part of the building within ten (10) feet. Vent stack shall be at least five (5) feet in vertical height above the draft hood outlet. The vent cap location shall have a minimum clearance of four (4) feet horizontally from, and in no case above or below, unless a 4-foot horizontal distance is maintained, from electric meters, gas meters regulators and relief equipment.

The weight of the vent stack or chimney must not rest on heater draft hood. Support must be provided in compliance with applicable codes. The heater top and draft hood must be readily removable for maintenance and inspection. Vent pipe should be adequately supported to maintain proper clearances from combustible construction.

Type "B" double wall or equivalent vent pipe is recommended. However single wall metal vent pipe may be used as specified in the latest edition of the National Flue Gas Code ANSI Z223.1.

For connections to gas vents or chimneys, vent installations shall be in accordance with Part 7, Venting of Equipment, of the National Fuel Gas Code, ANSI Z223.1, or applicable provisions of the local building codes.

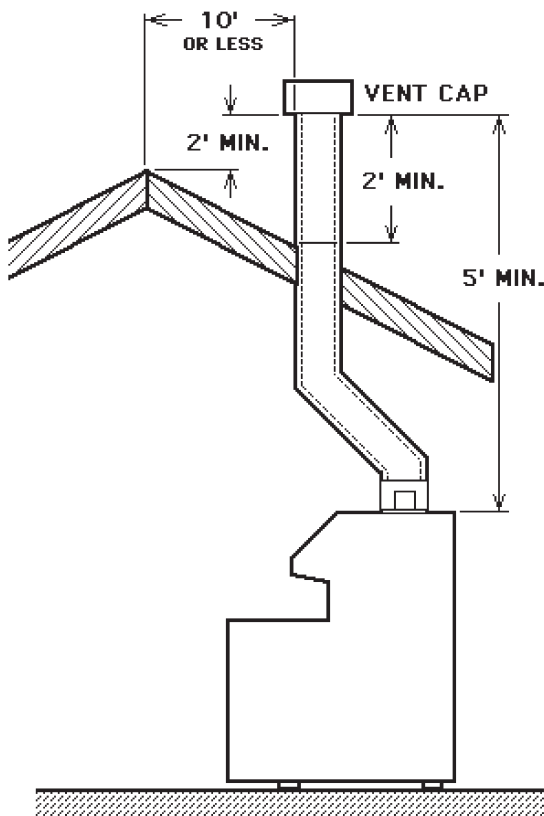


Fig. 4: Venting Minimum Clearances

**WARNING:** These heaters must not be connected into any portion of mechanical draft systems operating under positive pressure. To do so may cause the flue products to be discharged into the living space causing serious health injury.

## Common Vents

Manifolds that connect more than one heater to a common chimney must be sized to handle the combined load. Consult available guides for proper sizing of the manifold and the chimney. **At no time should the area be less than the area of the largest outlet.**

At the time of removal of an existing heater, the following steps shall be followed with each appliance remaining connected to the common venting system placed in operation, while the other appliances remaining connected to the common venting system are not in operation.

(a) Seal any unused openings in the common venting system.

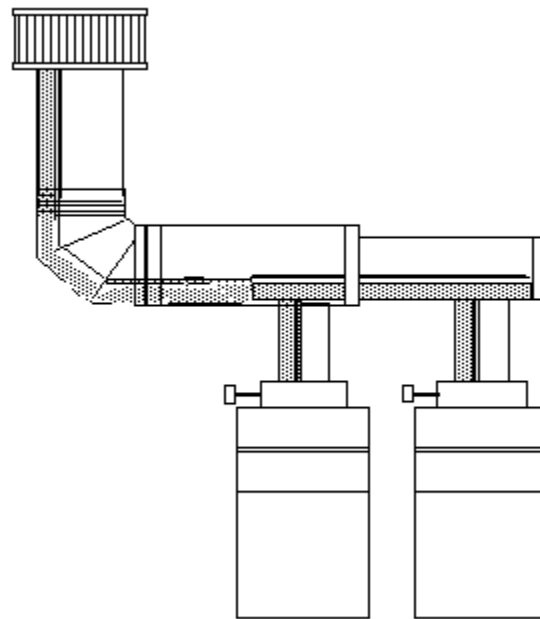


Fig. 5: Common Venting

- (b) Visually inspect the venting system for proper size and horizontal pitch and determine there is no blockage or restriction, leakage, corrosion and other deficiencies which could cause an unsafe condition.
- (c) Insofar as is practical, close all building doors and windows and all doors between the space in which the appliances remaining connected to the common venting system are located and other spaces of the building. Turn on clothes dryers and any appliance not connected to the common venting system. Turn on any exhaust fans, such as range hoods and bathroom exhausts, so they will operate at maximum speed. Do not operate a summer exhaust fan. Close fireplace dampers.
- (d) Place in operation the appliance being inspected. Follow the lighting instructions. Adjust tankstat so appliance will operate continuously.
- (e) Test for spillage at the draft hood relief opening after 5 minutes of main burner operation. Use the flame of a match or candle, or smoke from a cigarette, cigar or pipe to visually check spillage.
- (f) After it has been determined that each appliance remaining connected to the common venting system properly vents when tested as outlined above, return doors, windows, exhaust fans, fireplace dampers and any other gas burning appliance to their previous conditions of use.

(g) Any improper operation of the common venting system should be corrected so the installation conforms with the latest edition of the National Fuel Gas Code, ANSI Z223.1. When re-sizing any portion of the common venting system, the common venting system should be re-sized to approach the minimum size as determined using the appropriate tables in Chapter 10 and in Appendix G of the National Fuel Gas Code, ANSI Z223.1 and CAN/CSA-B149.

## Gas Supply Connections

The inlet gas connection to the heater gas valve is 1/2". Provide an adequate gas supply line according to Table F below.

Gas piping must have a sediment trap ahead of the heater gas controls, and a manual shut-off valve located outside the heater jacket. All gas piping should be tested after installation in accordance with local codes.

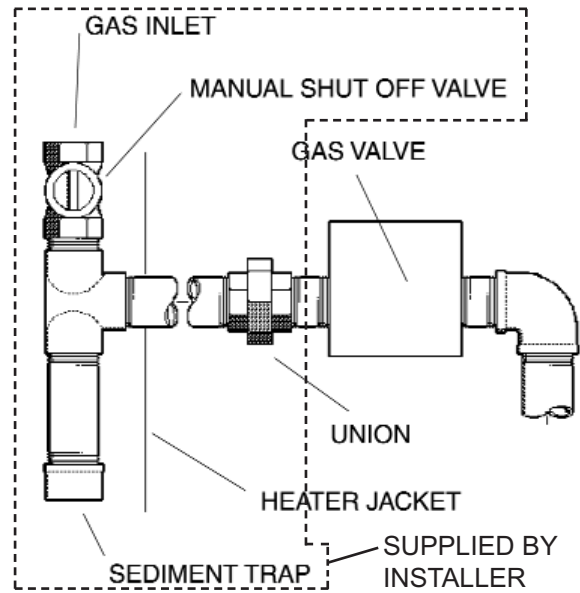


Fig. 6: Sediment Trap

**CAUTION:** The heater and its manual shut off valve must be disconnected from the gas supply during any pressure testing of that system at test pressures in excess of 1/2 psi (3.45 kPa). Dissipate test pressure in the gas supply line before reconnecting the heater and its manual shut off valve to gas supply line. FAILURE TO FOLLOW THIS PROCEDURE MAY DAMAGE THE GAS VALVE. OVER PRESSURED GAS VALVES ARE NOT COVERED BY WARRANTY. The heater and its gas connections shall be leak tested before placing the appliance in operation. Use soapy water for leak test DO NOT use open flame.

**NOTE:** Do not use teflon tape on gas line pipe thread. A flexible sealant suitable for use with Natural and Propane gases is recommended.

**NOTE:** These heaters are also certified to operate on Propane gas, when equipped with the combination gas valve and orifices (pilot and main burners) sized for Propane gas.

Model No.	1/2 in.		3/4 in.		1 in.		1-1/4 in.	
	Nat	Pro	Nat	Pro	Nat	Pro	Nat	Pro
0090	30	80	125	300	400	560		
0135	15	40	60	150	150	200		
0195		20	35	70	100	100	400	

Natural gas, 1000 BTUH/ft .60 specific gravity @ 0.5 in. WC pressure drop.  
 Propane gas, 2500 BTUH/ft 1.53 specific gravity @ 0.6 in. WC pressure drop.

Table F: Maximum Equivalent Pipe Length (ft)

## Gas Pressure Specifications

Type of Gas	Inches WC		Regulator Setting
	Min.	Max.*	
Natural	4.5	10.5	3.5
Propane	12.0	13.0	11.0

\*Do not exceed maximum inlet gas pressure. The minimum value shown is for input adjustment.

**Table G: Gas Pressure Specifications**

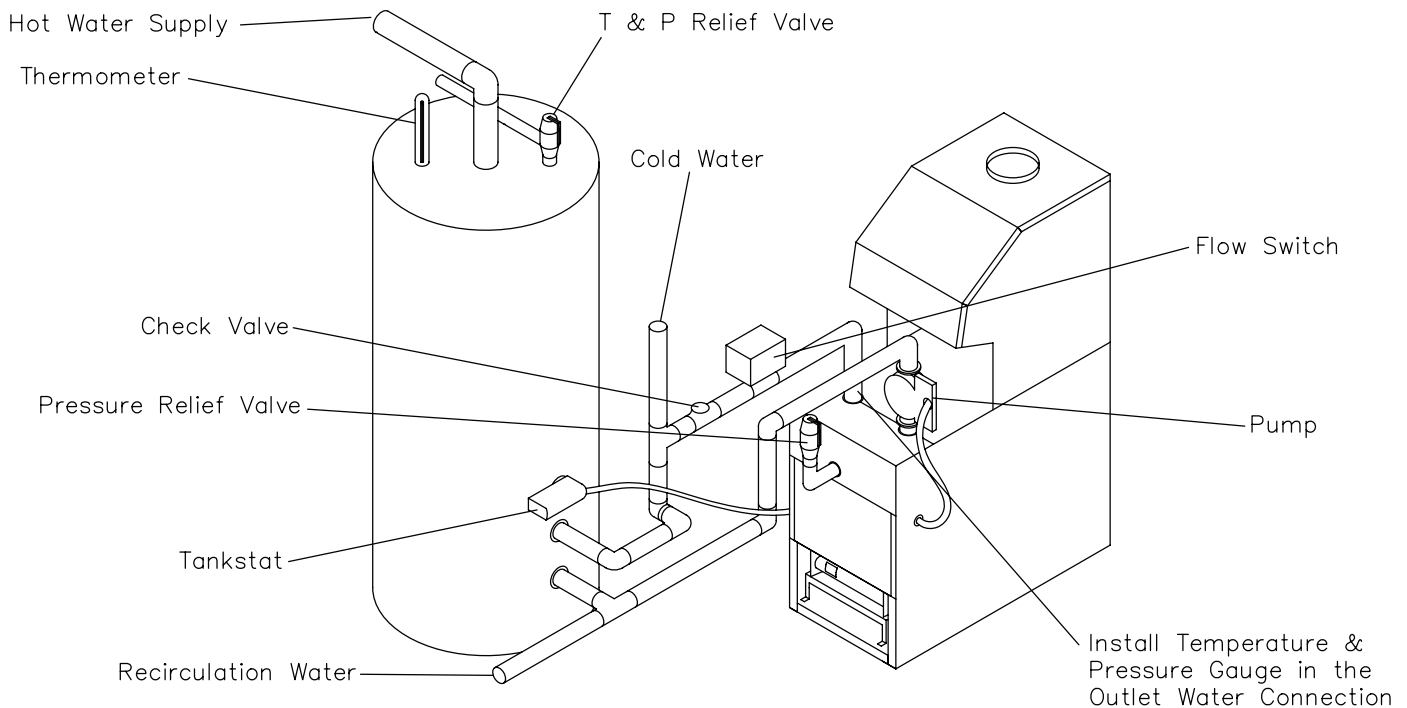
## Gas Pressure Regulator

The gas valve is provided with pressure taps to measure gas pressure upstream of the gas valve and downstream which is the same as the manifold pressure.

## Water Connections & System Piping

The pipe size and fittings between the heater and the tank should be at least 1" for model 0090, and 1-1/4" for models 0135 and 0195. This is based on the tank being located as close to the heater as possible, as shown in Fig. 7 below.

If this water heater is installed in a closed water supply system, such as one having a back-flow preventer in the cold water supply line, means shall be provided to control thermal expansion. Contact the water heater supplier or local plumbing inspector on how to control this situation.



**Fig. 7: Heater with Storage Tank**

---

When this water heater system is supplying general purpose hot water requirements for use by individuals, a thermostatically controlled mixing valve is recommended to reduce the risk of scald injury. Contact a licensed plumber or the local plumbing authority for further information.

Thermometer(s) should be installed so that they indicate the water temperature at or near the outlet of the storage tank.

## Relief Valve

A new combination temperature and pressure (T & P) relief valve, complying with the Standard for Relief Valves and Automatic Gas Shut Off Devices for Hot Water Supply Systems, ANSI Z21.22, must be installed in the opening provided on top of the storage tank, at the time of installation. No valve is to be placed between the relief valve and the storage tank.

The pressure rating of the relief valve must not exceed the 160 maximum working pressure indicated on the water heater rating plate. The BTUH rating of the relief valve must not be less than the BTUH input of the heater.

Connect the outlet of the relief valve to a suitable open drain. The discharge line must pitch downward from the valve to allow complete draining (by gravity) of the relief valve and discharge line.

The discharge line should be no smaller than the outlet of the valve. The end of the discharge line should not be threaded or concealed, and should be protected from freezing. No valve of any type, restriction or reducer coupling, should be installed in the discharge line. Local codes shall govern installation of relief valve.

## Temperature & Pressure Gauge

The temperature and pressure gauge is standard equipment on all hot water heaters. All temperature and pressure gauges are shipped loose for field installation in the outlet water connection (see Fig. 7). All fittings required to mount the gauge to the piping are supplied by others.

## Electrical Wiring

The electrical power supply requirement for these heaters is 120 volts, 60 Hz. Field wiring connections and electrical grounding must comply with the local codes, or in the absence of local codes, with the latest edition of the National Electrical Code, ANSI/NFPA 70.

Provide a separate fused circuit from the main electrical panel to the heater, and a disconnecting means within sight of the heater.

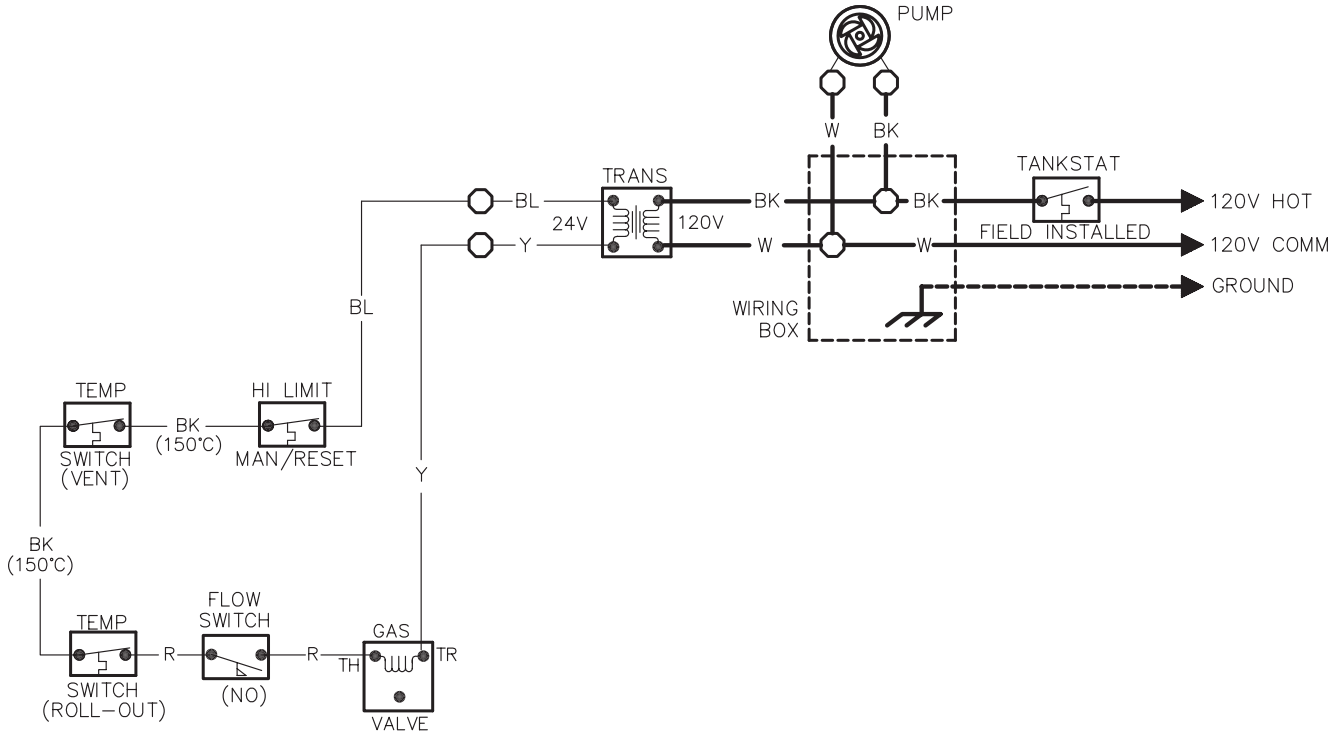
Remove the control box cover and make the power supply connections in the field wiring compartment. (See general location of controls drawing). The pump is supplied and factory wired to operate with the heater. The thermostat (tankstat) is shipped loose to be installed in the tank at the installation site.

**WARNING: SHOCK HAZARD:** Line voltage is present. Before servicing tankstat or heater, turn off electrical power to the heater at the main disconnect or circuit breaker. Failure to do so could result in severe personal injury or death.

**NOTE:** Minimum 18 AWG, 105°C, stranded wire must be used for all low voltage (less than 30 volts) external connections to the unit. Solid conductors should not be used because they can cause excessive tension on contact points. Install conduit as appropriate. All high voltage wires must be the same size (105°C, stranded wire) as the ones on the unit or larger.

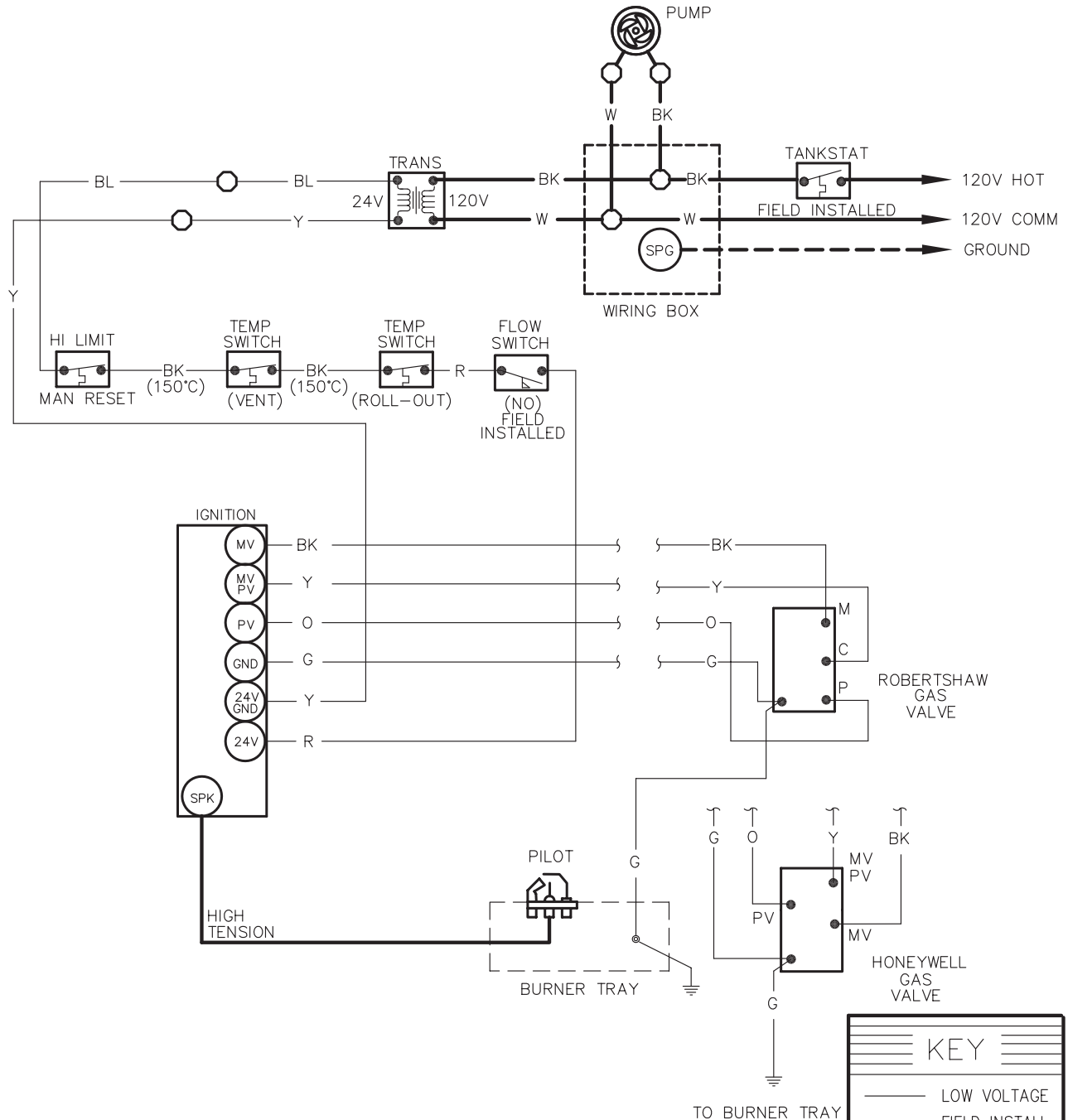
**NOTE:** If it is necessary to replace any of the original wiring, it must be replaced with 105°C wire or its equivalent, except 150° black wire which must be replaced with 150° wire or its equivalent.

# Wiring Diagram—Standing Pilot—Models 0090, 0135 & 0195



KEY	
—	LOW VOLTAGE
- - - -	FIELD INSTALL
—	LINE VOLTAGE
- - - -	FIELD INSTALL
BK	BLACK
BL	BLUE
BR	BROWN
GY	GRAY
G	GREEN
R	RED
O	ORANGE
V	VIOLET
W	WHITE
Y	YELLOW
<b>152365</b>	<b>1</b>

# Wiring Diagram—IID—Models 0090, 0135 & 0195



KEY	
—	LOW VOLTAGE
- - - -	FIELD INSTALL
—	LINE VOLTAGE
- - - -	FIELD INSTALL
BK	BLACK
BL	BLUE
BR	BROWN
GY	GRAY
G	GREEN
R	RED
O	ORANGE
V	VIOLET
W	WHITE
Y	YELLOW
<b>152364</b>	<b>3</b>

# SERVICING PROCEDURES

## General Location of Controls

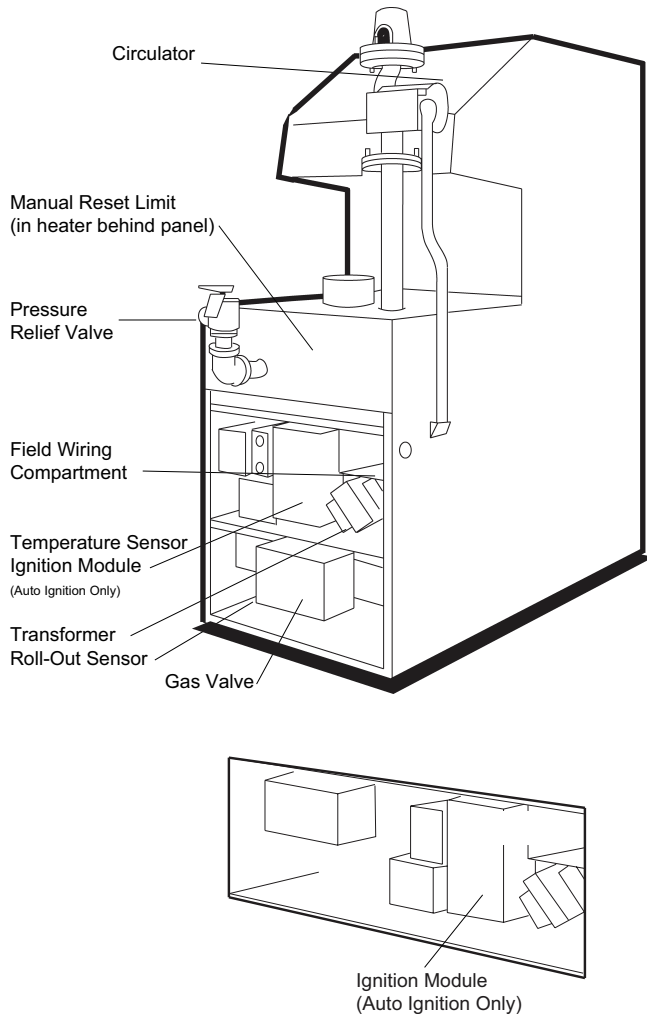


Fig. 8: General Location of Controls

## Sequence of Operation

### Intermittent Ignition Device (IID)

Heaters equipped with the IID system will automatically light the pilot burner first and then the main burner, each time there is a call for heat from the tankstat. Whenever the tankstat calling for heat, the circulator supplied with the heater, will be energized and should be running.

The ignition control module will also be energized to initiate the pilot ignition by opening the first main valve (pilot). At the same time, the electronic spark genera-

tor in the module produces a high voltage spark pulse output that lights the pilot burner. If the pilot burner does not light, the module will not energize the second main valve and the burners will not light. Ignition spark continues only until the timed trial for ignition period ends.

Then, the module goes into safety shutdown or lock-out. Lockout de-energizes the first main valve operator and closes the first main (pilot) valve in the gas control, stopping pilot gas flow. The ignition control system must be reset by setting the tankstat below water temperature for one minute or by turning off power to the module for one minute.

When the pilot flame is established, flame rectification circuit is completed between the sensor and burner ground. The flame sensing circuit in the module detects the flame current, shuts off the spark generator and energizes the second main valve operator which opens the second main valve. This allows gas to flow to the burners where it is ignited by the pilot burner flame.

When the tankstat is satisfied, the valve operators are de-energized shutting off the pilot and main burners, and also the circulator.

## Start-up Procedures

### Filling the System

Fill system with water. Purge all air from the system using purge valve sequence. After system is purged of air, lower system pressure. Flush system before putting into operation to ensure that foreign material does not damage pump seals.

### Checking the Circulator

Before lighting the heater and after system is filled, make sure that circulator is operating properly. Manual gas valve should be off.

**NOTE:** Circulator motor supplied with the heater does not require lubrication.



## For Standing Pilot Model with Robertshaw Gas Valve, On/Off Operation

1. STOP! Read the safety information.
2. Set the tankstat on the lowest setting.
3. Turn OFF all electric power to the heater.
4. Remove heater door panel.
5. Push in gas control knob slightly and turn clockwise ↻ to "OFF".

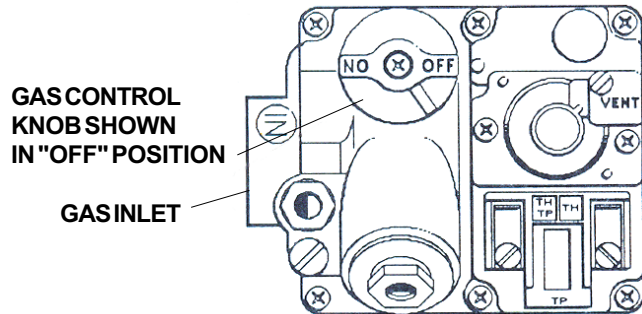
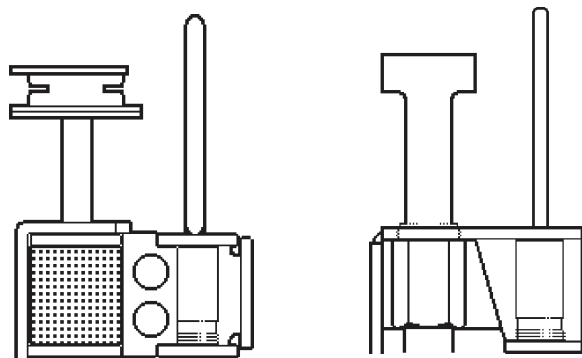


Fig. 9: Robertshaw Gas Valve

**NOTE:** Knob cannot be turned from "PILOT" to "OFF" unless knob is pushed in slightly. Do not force.

6. Wait five (5) minutes to clear out any gas. Then smell for gas, including near the floor. If you smell gas, STOP! Follow "B" in the safety information above on this label. If you don't smell gas, go to the next step.
7. Locate pilot behind gas valve mounted on the base panel of the burner drawer.
8. Turn knob on gas control counter-clockwise ↻ to "Pilot".



HONEYWELL PILOT

ROBERTSHAW PILOT

Fig. 10: Honeywell and Robertshaw Pilots

9. Push in control knob all the way and hold in, immediately light the pilot with a match. Continue to hold control knob in for about one minute after the pilot is lighted, release knob and it will pop back up. Pilot should remain lighted. If it goes out, repeat steps 4 through 8.
  - \* If knob does not pop up when released, stop and immediately call your service technician or gas supplier.
  - \* If the pilot does not stay lit after several tries, turn the gas control knob to "OFF" and call your service technician or gas supplier.
10. Stand to the side of the heater and turn the gas control knob counter-clockwise ↻ to "ON".
11. Replace heater door.
12. Turn "ON" all electrical power to the heater.
13. Set the tankstat to the desired setting.

## For Standing Pilot Model with Honeywell Gas Valve, On/Off Operation

1. STOP! Read the safety information.
2. Set the tankstat to the lowest setting.
3. Turn Off all electrical power to the heater.
4. Remove heater door panel.
5. Turn gas control knob clockwise ↻ to "OFF".

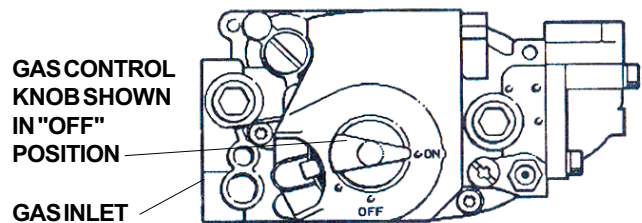



Fig. 11: Honeywell Gas Valve

6. Wait five (5) minutes to clear out any gas. Then smell for gas, including near the floor. If you smell gas, STOP! Follow "B" in the safety information above on this label. If you don't smell gas, go to the next step.
7. Locate pilot behind gas valve mounted on the base panel of the burner drawer.
8. Turn knob on gas control counter-clockwise ↻ to "PILOT".
9. Push down and hold the red reset button in, immediately light the pilot with a match. Continue to hold down red reset button for about one minute after the pilot is lighted. Release red reset button and it will pop back up. Pilot should remain lighted. If it goes out, repeat steps 4 through 8.

- \* If red reset button does not pop up when released, STOP and immediately call your service technician or gas supplier.
  - \* If the pilot does not stay lit after several tries, turn the gas control knob to "OFF" and call your Service technician or gas supplier.
10. Stand to the side of the heater and turn the gas control knob counterclockwise  to "ON".
  11. Replace heater door.
  12. Turn "ON" all electrical power to the heater.
  13. Set the tankstat to the desired setting.

### System Shut Down Procedure

1. Set the tankstat to "OFF" or the lowest setting.
2. Turn off all electric switches to the heater.
3. Turn off all gas valves supplying gas to the heater. Refer to operating instruction label on the heater.
4. Shut off the water supply to the heater piping system loop.
5. Open drain valve on the tank to remove water from the heater and the piping circuits.

### Lighting the Heater

For your safety read carefully before proceeding to light the heater.

**CAUTION:** Propane gas is heavier than air and sinks to the ground. Exercise extreme care in lighting heater in confined areas.

### For Standing Pilot Models

**WARNING:** If you do not follow these instructions exactly, a fire or explosion may result causing property damage, personal injury or loss of life.

- A. This heater has a pilot which must be lighted by hand. When lighting the pilot, follow these instructions exactly.
- B. **BEFORE LIGHTING** smell all around the heater area for gas. Be sure to smell next to the floor because some gas is heavier than air and will settle on the floor.

#### WHAT TO DO IF YOU SMELL GAS

- Do not try to light any appliance.
- Do not touch any electric switch.
- Do not use any phone in your building.
- Immediately call your gas supplier from a neighbor's telephone. Follow the gas supplier's

instructions.

- If you cannot reach your gas supplier, call the fire department.
- C. Use only your hand to push in, move or turn the gas control knob or lever. Never use tools. If the knob or lever will not push in, move or turn by hand, don't try to repair it, call a qualified service technician. Force or attempted repair may result in a fire or explosion.
  - D. Do not use this heater if any part has been under water. Immediately call a qualified service technician to inspect the heater and to replace any part of the control system and any gas control which has been under water.

### For Automatic Ignition Models

Please read carefully and understand the following safety information before operating the heater.

**WARNING:** If you do not follow these instructions exactly, a fire or explosion may result causing property damage, personal injury or loss of life.

- A. This heater is equipped with an ignition device which automatically lights the pilot. Do not try to light the pilot by hand.
- B. **BEFORE OPERATING** smell all around the heater area for gas. Be sure to smell next to the floor because some gases are heavier than air and will settle on the floor.

#### WHAT TO DO IF YOU SMELL GAS:

- Do not try to light any appliance.
  - Do not touch any electric switch.
  - Do not use any phone in your building.
  - Immediately call your gas supplier from a neighbor's phone. Follow the gas supplier's instructions.
  - If you cannot reach your gas supplier, call the fire department.
- C. Use only your hand to push in, move or turn the gas control knob or lever. Never use tools. If the knob or lever will not push in, move or turn by hand, don't try to repair it, call a qualified service technician. Force or attempted repair may result in a fire or explosion.
  - D. Do not use this heater if any part has been under water. Immediately call a qualified service technician to inspect the heater and to replace any part

of the control system and any gas control which has been under water.

## For Intermittent Ignition (IID) with Honeywell or Robertshaw Gas Valve

1. **STOP!** Read the safety information above on this label.
2. Set the tankstat on the lowest setting.
3. Turn off all electric power to the appliance.
4. This appliance is equipped with an ignition device which automatically lights the pilot. Do not try to light the pilot by hand.

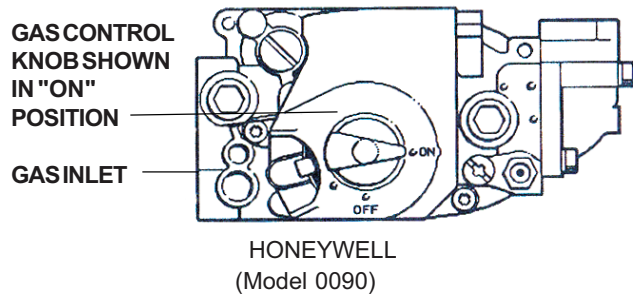


Fig. 12: Honeywell Gas Valve

5. Remove heater door panel.
6. For Robertshaw Gas Valve: Turn gas control knob clockwise ↻ to "OFF". For Honeywell Gas Valve: Turn gas control knob clockwise ↻ to "OFF". Make sure knob rest against stop. For Honeywell Gas Valve: Push in gas control knob slightly and turn clockwise to "OFF". Knob cannot be turned to "OFF" unless knob is pushed in slightly. Do not force.
7. Wait five (5) minutes to clear out any gas. Then smell for gas, including near the floor. If you smell gas, **STOP!** Follow "b" in the safety information previously stated. If you do not smell gas, go to the next step.
8. **For Honeywell Gas Valve:** Turn gas control knob counter-clockwise ↻ to "ON".  
**For Robertshaw Gas Valve:** Move gas control lever to "ON" position.

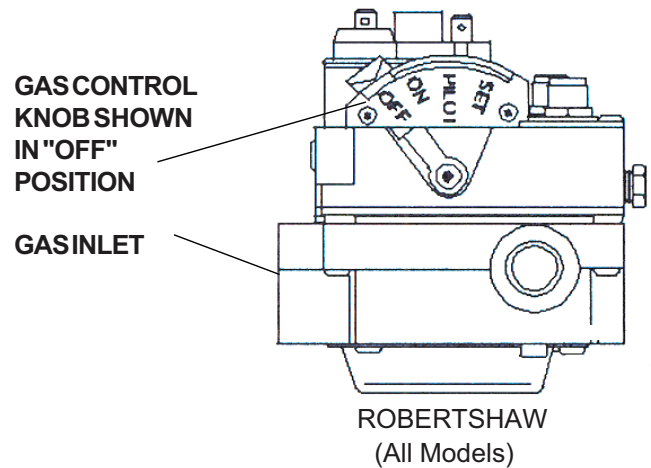


Fig. 13: Honeywell Gas Valve

9. Replace door panel.
10. Turn on all electric power to the appliance.
11. Set tankstat to desired setting.
12. If the heater will not operate, follow the instructions "To Turn Off Gas To Appliance" and call your service technician or gas supplier.

## To Turn Off Gas to Heater

1. Set the thermostat to the lowest setting.
2. Turn off all the electric power to the appliance if service is to be performed.
3. Remove door panel.
4. **For Robertshaw Gas Valve:** Push in and move gas control lever to "OFF" position.  
**For Honeywell Gas Valve:** Push in gas control knob slightly and turn clockwise ↻ to "OFF".
5. Replace heater door panel.

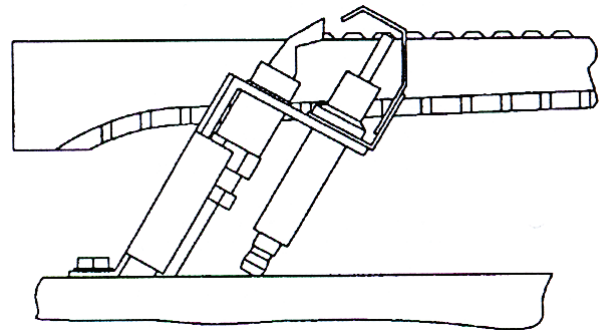


Fig. 14: Honeywell Pilot

**CAUTION:** Should overheating occur or the gas supply fails to shut off, **DO NOT** turn off or disconnect the electrical supply to the pump. Instead, shut off the gas supply at a location external to the heater. Failure to observe this precaution may aggravate the overheated condition resulting in possible damage to the heater and injury to the user.



## Testing the Ignition Safety Shut-off

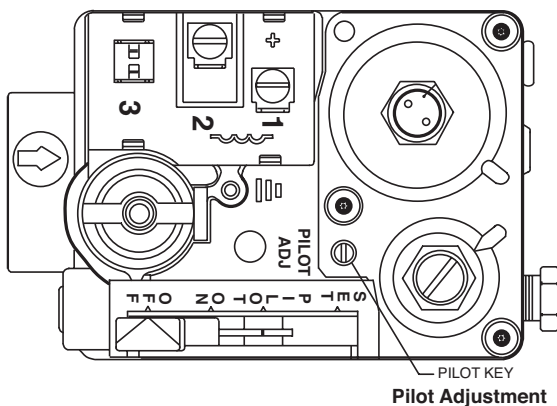
The ignition system safety shutoff must be tested by conducting the following tests:

### For Standing Pilot Systems

1. With the main burners on, remove the pilot adjustment cover screw.

**NOTE:** There is no pilot adjustment cover on Robertshaw 7200 gas valve.

2. Insert a small slot screw driver and turn the adjustment screw clockwise  until pilot flame goes out. Count and note number of turns made.
3. Gas valve will shut off main burners after about three (3) minutes. End of test. If the gas valve will not shut off, follow the instructions "To Turn Off Gas To Heater" and call service technician or your gas supplier.
4. Return pilot adjustment screw counterclockwise  same number of turns as in step 2.



**Fig. 15: Robertshaw 7200 Gas Valve (Models 0135 & 0195)**

5. Replace pilot adjustment cover screw, then follow the lighting instructions to get heater ready for operation.

### For Automatic Ignition Systems

1. Turn on power to the ignition systems and turn gas supply off at the gas valve.
2. Check ignition module as follows:
  - a. Set the tankstat to high setting.
  - b. Watch for continuous spark at the pilot burner.
  - c. Time the spark operation. Time must be within the lockout timing period (15 or 90 seconds).
  - d. Turn tankstat down to end call for heat and wait 60 seconds on lockout models before beginning step 3.
3. Turn on gas supply.
4. Set tankstat to high setting.
5. Systems should start as follows:
  - a. Spark will turn on and pilot gas valve will open at once. Pilot burner should ignite after gas reaches the pilot burner.
  - b. Spark ignition should cut off when pilot flame is established.
  - c. Main gas valve should open and main burner should ignite after gas reaches the burner port.

### Flame Failure

With burner operating, close the manual fuel valves to simulate a flame failure. System should lock out after safety switch timing (15 seconds). After the safety switch has cooled, open the manual valves (relight standing pilots) and reset the safety switch; the burner should restart.

## Inspection Procedures

### Burners

Clean main burners and air louvers of dust, lint and debris. Keep heater area clear and free from combustibles and flammable liquids. Do not obstruct the flow of combustion and ventilating air. Make visual check of burner and pilot flame. Yellow flame indicates clogging of air openings. Lifting or blowing flame indicates excess high gas pressure. Low flame indicates low gas pressure.

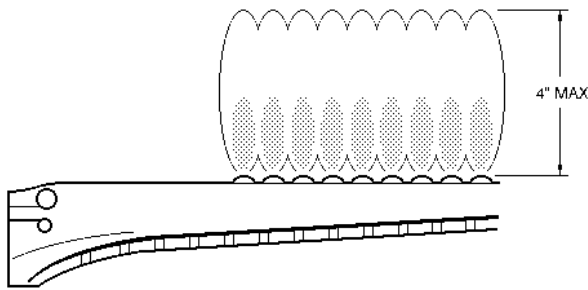


Fig. 16: Typical Main Burner Flame

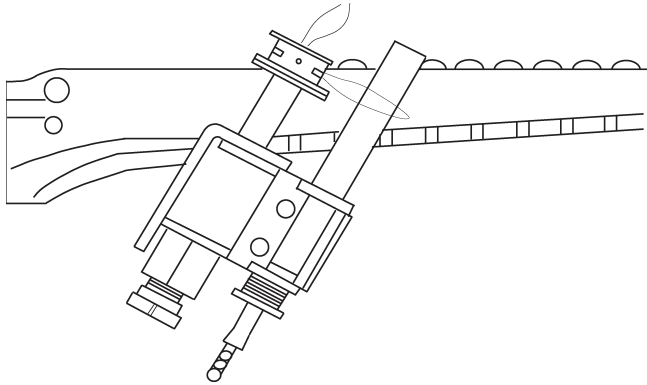


Fig. 17: Pilot Burner Flame (STG Pilot Units)

## Normal Inspection Procedures

First and third month after initial start up and then on an annual basis. If problems are found, refer to Trouble Shooting Guide for additional directions.

1. Remove top of heater and inspect heat exchanger for soot and examine venting system.
2. Remove rear header and inspect for scale deposits.
- \*3. Inspect pilot and main burner flame and firing rate.
- \*4. Inspect and operate all controls and gas valve.
- \*5. Visually inspect system for water leaks.
- \*6.
  - a. Oil pump motor and bearing assembly, if oil cups are provided.
  - b. Disconnect pump from header and check condition of pump impeller. Check condition of bearing by attempting to move impeller from side to side. Replace any parts showing wear.
  - c. Check pump coupler for wear and vibration.
7. Check flow switch paddle (if provided).
8. Clean room air intake openings to assure adequate flow of combustion and ventilation air.
9. Keep heater area clear and free from combustible materials, gasoline, and other flammable vapors and liquids.

\*Should be checked monthly. (Takes approximately 15 minutes).

## Procedure for Cleaning Flue Gas Passage Ways

Soot will clog areas behind fins and eventually cause tube failure. Any sign of soot at base of burners or around outer jacket indicates a need for cleaning.

1. Lift off draft hood and flue collector by removing bolts and screws.
2. Remove "V" baffles from heat exchanger.
3. Remove burner tray, see Burner Drawer Removal.
4. Take garden hose and wash heat exchanger, making sure soot is removed from between fins. (Avoid excessive water against refractory).
5. Reassemble; when heater is fired, some steam will form from wet refractory, which is normal.

**NOTE:** In extreme cases it may be necessary to remove the heat exchanger completely for cleaning. The simplest method is steam cleaning at a local car wash.

**CAUTION:** Soot is combustible. Exercise extreme care. Do not wire brush.

## Burner Drawer Removal

1. Shut off power and gas supply to the heater. Disconnect union(s) and pilot tubing when present; then loosen and remove burner hold down screws.
2. Disconnect wires at gas valve and slide burner drawer out.

## Main Burner and Orifice Removal

1. Remove screws and burner hold down bracket.

**NOTE:** If the heat exchanger is sooted badly, the burner hold down bracket and spacer can become distorted from direct flame impingement and this usually necessitates replacement of these parts.

2. Lift burners from slotted spacer and slide from orifices. Clean with a wire brush.
3. Orifices usually do not need to be replaced. To clean, run either copper wire or wood through orifice. Do not enlarge hole. To remove orifice, use a socket wrench and remove the manifold. DO NOT overtighten when reinstalling.





---

# TROUBLESHOOTING

These instructions are primarily intended for the use of qualified personnel specifically trained and experienced in the installation of this type of heating equipment and related system components. Installation and service personnel may be required by some states to be licensed. Persons not qualified shall not attempt to install this equipment nor attempt repairs according to these instructions.

<b>PROBLEM(S)</b>	<b>CAUSE(S)</b>	<b>SOLUTION(S)</b>
1)When tankstat is turned on, heater does not operate.	1)No power to the heater.  2)Defective tankstat or disconnected wire in thermostat circuit.  3)Defective transformer.	1)Check circuit breakers, disconnect switch. Make sure power is on.  2)Check continuity on thermostat and wiring circuit. Replace thermostat, or repair wiring connections. 3) Check secondary voltage. If no 24V, replace transformer.
2)When tankstat is calling for heat, pump is on, but burners will not turn on.	1) For Standing pilot models pilot burner not lighted. 2) If pilot burner will not stay lighted, thermocouple or gas valve may be defective.  3)Gas knob in "Pilot" position. 4)Vent switch is open.  5)Roll-out switch is open.  6)Manual Reset High limit is open.  7) Defective ignition module or defective gas valve.	1) Light pilot burner. (Follow lighting instructions on rating plate). 2) Check thermocouple MV generation. If less than 25MV (open circuit), replace thermocouple. If between 25-35 MV, replace gas valve. 3) Turn knob to "ON" position. 4) Check for blockage of venting system or disconnected vent piping. After problem is corrected push button to reset vent switch. 5) Check for blockage of flue or sooted heat exchanger. After problem is corrected push button to reset roll-out switch. 6) Check water flow and adjust to obtain 8° to 10°F temperature rise. 7) On Honeywell module, check voltage across terminals MV and MV/PV. If no 24V is present, replace module. If 24V is present, replace gas valve.

3) Pilot Outage. (Standing pilot models)	<ol style="list-style-type: none"> <li>1) Too low or too high gas pressures.</li> <li>2) Restricted pilot.</li> <li>3) Weak thermocouple.</li> </ol>	<ol style="list-style-type: none"> <li>1) Adjust inlet gas pressure as shown on rating plate.</li> <li>2) Clean pilot orifice.</li> <li>3) Replace thermocouple.</li> </ol>
4) Yellow lazy flame.	<ol style="list-style-type: none"> <li>1) Too low gas pressure.</li> <li>2) Restricted burner intake ports.</li> <li>3) Restricted gas line.</li> </ol>	<ol style="list-style-type: none"> <li>1) Adjust manifold pressure as shown on rating plate.</li> <li>2) Clean burners free of debris or insects.</li> <li>3) Clean gas line or increase gas line piping.</li> </ol>
5) Sooting	<ol style="list-style-type: none"> <li>1) Insufficient combustion air.</li> <li>2) Improper venting.</li> <li>3) Severe yellow burner flames.</li> </ol>	<ol style="list-style-type: none"> <li>1) Refer to installation instructions regarding combustion air requirements.</li> <li>2) Refer to installations instructions.</li> <li>3) See yellow flame section above.</li> </ol>



# ADJUSTMENTS & REPLACEMENT OF COMPONENTS

**CAUTION:** Label all wires prior to disconnection when servicing controls. Wiring errors can cause improper and dangerous operation. Verify proper operation after servicing.

**DANGER: SHOCK HAZARD:** Make sure electrical power to the heater is disconnected to avoid potential serious injury or damage to components.

## Gas Valve Replacement

1. Shut off electrical power and gas supply to the heater.
2. Remove gas piping to gas valve inlet.
3. Disconnect wiring connections, pilot tubing (when equipped).
4. Remove screws (2) holding the burner tray.
5. Slide burner tray out.
6. Remove gas valve bracket screws and bracket.
7. Unscrew gas valve from gas pipe.
8. Reverse above procedure to re-install.

## Pilot Burner Cleaning or Replacement (Standing Pilot)

1. Shut off electrical power and gas supply to the heater.
2. Disconnect gas piping to gas valve.
3. Disconnect wiring connections to gas valve.
4. Remove screws (2) holding the burner tray.
5. Slide burner tray out.
6. Remove screw holding pilot lighter tube.
7. Remove screws (2) holding pilot bracket on the burner tray.
8. Disconnect thermocouple and pilot tubing from the gas valve.
9. Remove pilot burner from pilot bracket.
10. Remove pilot orifice and blow away lint or dirt. Clean with wire or small brush.

**NOTE:** Make sure pilot orifice is clear, but do not enlarge the hole.

11. Reverse above procedure to re-install.

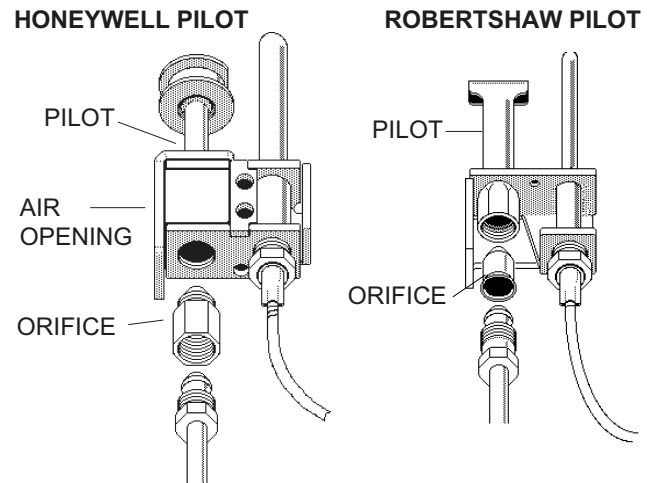


Fig. 20: Pilots

## Flame Roll-out Switch Replacement

1. Shut off electrical power to the heater.
2. Remove wiring connections to switch.
3. Remove screws (2) holding the switch.
4. Reverse above procedure to re-install.

## Vent Thermal Switch Replacement

1. Shut off electrical power to the heater.
2. Remove wiring connections to switch.
3. Remove the screws (2).
4. Reverse above procedure to re-install.

## Ignition Module Replacement

1. Shut off electrical power to the heater.
2. Remove control cover screws and open control compartment.
3. Disconnect wiring connections to module.
4. Remove screws (2) holding module.
5. Reverse above procedure to re-install.

## Transformer Replacement

1. Shut off electrical power to the heater.
2. Remove control cover screws and open control compartment.
3. Disconnect wiring connections from transformer leads.
4. Remove screws (2) holding transformer.
5. Reverse above procedure to re-install.

---

## Circulator Replacement

1. Shut off electrical power to the heater.
2. Shut off water supply and open drain valve to remove water in the piping at the pump level.

**CAUTION:** To avoid damage to electrical components keep water from getting into the control compartments and gas valve.

3. Disconnect wiring and conduit connections to the pump.
4. Remove the nuts and bolts at the inlet and outlet flanges. Remove old gaskets.
5. Remove the pump.
6. Reverse the above procedure to re-install. Use new gaskets and make sure they are seated properly when tightening the nuts and bolts.

## Replacement Parts

**NOTE:** To supply the correct part it is important that you state the model number, serial number and type of gas when applicable.

Any part returned for replacement under standard company warranties must be properly tagged with RAYPAK return parts tag, completely filled in with the heater serial number, model number etc., and shipped to the Company freight prepaid.

If determined defective by the Company and within warranty, the part will be returned in kind or equal substitution, freight collect. Credit will not be issued.

**RAYPAK, INC.**  
**2151 Eastman Avenue**  
**Oxnard, CA 93030**

**LIMITED PARTS WARRANTY ECONOPAK WATER HEATERS  
MODELS WH - 0090 TO 0195**

**SCOPE:**

Raypak, Inc. ("Raypak") warrants to the original owner that all parts of this water heater which are actually manufactured by Raypak will be free from failure under normal use and service for the specified warranty periods and subject to the conditions set forth in this Warranty. Labor charges and other costs for parts removal or reinstallation, shipping and transportation are not covered by this Warranty but are the owner's responsibility.

**HEAT EXCHANGER WARRANTY:**

- Five (5) Years from date of water heater installation. This includes only the copper, bronze and cast iron waterways.
- Twenty (20) Years from date of water heater installation against "Thermal Shock" (excluded, however, if caused by operation at large changes exceeding 150°F between the water temperature at intake and water heating temperature, or operating at water heater temperatures exceeding 190°F).

**ANY OTHER PART MANUFACTURED BY RAYPAK:**

One (1) year warranty from date of installation, or eighteen (18) months from date of factory shipment based on Raypak's records, whichever comes first.

SATISFACTORY PROOF OF INSTALLATION DATE, SUCH AS INSTALLER INVOICE, IS REQUIRED. THIS WARRANTY WILL BE VOID IF THE WATER HEATER RATING PLATE IS ALTERED OR REMOVED.

**ADDITIONAL WARRANTY EXCLUSIONS:**

This warranty does not cover failures or malfunctions resulting from:

1. Failure to properly install, operate or maintain the water heater in accordance with our printed instructions provided;
2. Abuse, alteration, accident, fire, flood and the like;
3. Sediment or lime buildup, freezing, or other conditions causing inadequate water circulation;
4. High velocity flow exceeding water heater design rates;
5. Failure of connected systems devices, such as pump or controller;
6. Use of non-factory authorized accessories or other components in conjunction with the water heater system;
7. Failing to eliminate air from, or replenish water in, the connected water system;
8. Chemical contamination of combustion air or use of chemical additives to water.

**PARTS REPLACEMENT:**

Under this Warranty, Raypak will furnish a replacement for any failed part. The failed part must first be returned to Raypak if requested, with transportation charges prepaid, and all applicable warranty conditions found satisfied. The replacement part will be warranted for only the unexpired portion of the original warranty. Raypak makes no warranty whatsoever on parts not manufactured by it, but Raypak will apply any such warranty as may be provided to it by the parts manufacturer.

**TO MAKE WARRANTY CLAIM:**

Promptly notify the original installer, supplying the model and serial numbers of the unit, date of installation and description of the problem. The installer must then notify his Raypak distributor for instructions regarding the claim. If either is not available, contact Service Manager, Raypak, Inc., 2151 Eastman Avenue, Oxnard, CA 93030 or call (805) 278-5300. In all cases proper authorization must first be received from Raypak before replacement of any part.

**EXCLUSIVE WARRANTY - LIMITATION OF LIABILITY:**

This is the only warranty given by Raypak. No one is authorized to make any other warranties on Raypak's behalf. THIS WARRANTY IS IN LIEU OF ALL OTHER WARRANTIES, EXPRESS OR IMPLIED, INCLUDING BUT NOT LIMITED TO IMPLIED WARRANTIES OF MERCHANTABILITY AND FITNESS FOR A PARTICULAR PURPOSE. RAYPAK'S SOLE LIABILITY AND THE SOLE REMEDY AGAINST RAYPAK WITH RESPECT TO DEFECTIVE PARTS SHALL BE AS PROVIDED IN THIS WARRANTY. IT IS AGREED THAT RAYPAK SHALL HAVE NO LIABILITY, WHETHER UNDER THIS WARRANTY, OR IN CONTRACT, TORT, NEGLIGENCE OR OTHERWISE, FOR ANY SPECIAL, CONSEQUENTIAL, OR INCIDENTAL DAMAGE, INCLUDING DAMAGE FROM WATER LEAKAGE. Some states do not allow limitations on how long an implied warranty lasts, or for the exclusion of incidental or consequential damages. So the above limitation or exclusion may not apply to you.

This Limited Warranty gives you specific legal rights. You may also have other rights which may vary from state to state. We suggest that you complete the information below and retain this certificate in the event warranty service is needed. Reasonable proof of the effective date of the warranty (date of installation) must be presented, otherwise, the effective date will be based on the rate of manufacture plus thirty (30) days.

\_\_\_\_\_  
Name of Owner

\_\_\_\_\_  
Name of Dealer

\_\_\_\_\_  
Address

\_\_\_\_\_  
Address

\_\_\_\_\_  
Model No.

\_\_\_\_\_  
Serial No.

\_\_\_\_\_  
Date of Installation:

\_\_\_\_\_  
Date of Initial Operation:

**CORPORATE HEADQUARTERS:**

RAYPAK, INC., 2151 Eastman Avenue, Oxnard, CA 93030 (805) 278-5300 FAX (805) 278-5489



**[www.raypak.com](http://www.raypak.com)**

Raypak, Inc., 2151 Eastman Avenue, Oxnard, CA 93030 (805) 278-5300 Fax (805) 278-5468  
Litho in U.S.A.