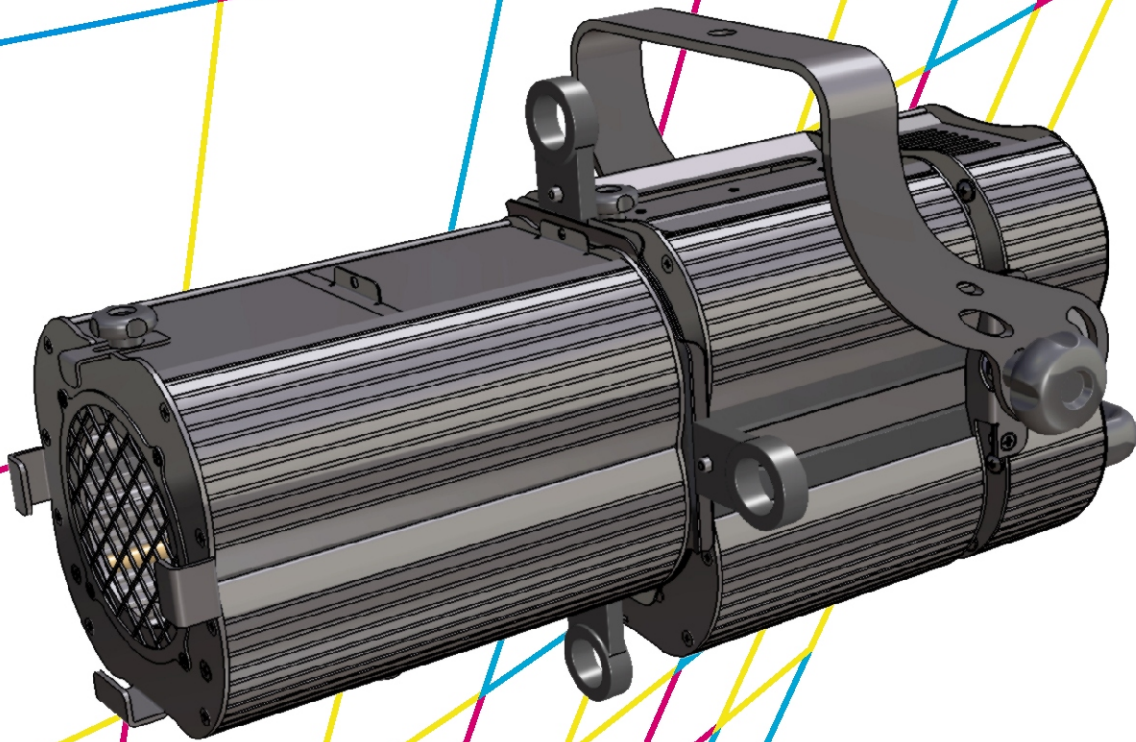


PROFILO COMPACT

Z 20° - 40°

Discharge Lamp 35-70-150W



User's Manual Rel 1.1 GB

D.T.S. Illuminazione srl - ITALY
<http://www.dts-lighting.it>



The Lighting Company

Made in Italy

Le informazioni contenute in questo documento sono state attentamente redatte e controllate. Tuttavia non è assunta alcuna responsabilità per eventuali inesattezze. Tutti i diritti sono riservati e questo documento non può essere copiato, fotocopiato, riprodotto per intero o in parte senza previo consenso scritto della DTS .

DTS si riserva il diritto di apportare senza preavviso cambiamenti e modifiche estetiche , funzionali o di design a ciascun proprio prodotto. DTS non assume alcuna responsabilità sull'uso o sull'applicazione dei prodotti o dei circuiti descritti.

The information contained in this publication has been carefully prepared and checked. However, no responsibility will be taken for any errors. All rights are reserved and this document cannot be copied, photocopied or reproduced, in part or completely, without prior written consent from DTS. DTS reserves the right to make any aesthetic, functional or design modifications to any of its products without prior notice. DTS assumes no responsibility for the use or application of the products or circuits described herein.

Les informations contenues dans le présent manuel ont été rédigées et contrôlées avec le plus grand soin. Nous déclinons toutefois toute responsabilité en cas d'éventuelles inexactitudes. Tous droits réservés. Ce document ne peut être copié, photocopié ou reproduit, dans sa totalité ou partiellement, sans le consentement préalable de DTS. DTS se réserve le droit d'apporter toutes modifications et améliorations esthétiques, fonctionnelles ou de design, sans préavis, à chacun de ses produits. DTS décline toute responsabilité sur l'utilisation ou sur l'application des produits ou des circuits décrits.

Las informaciones contenidas en este documento han sido cuidadosamente redactadas y controladas. Con todo, no se asume ninguna responsabilidad por eventuales inexactitudes. Todos los derechos han sido reservados y este documento no puede ser copiado, fotocopiado o reproducido, total o parcialmente, sin previa autorización escrita de DTS. DTS se reserva el derecho a aportar sin previo aviso cambios y modificaciones de carácter estético, funcional o de diseño a cada producto suyo. DTS no se asume responsabilidad de ningún tipo sobre la utilización o sobre la aplicación de los productos o de los circuitos descritos.

INDEX

Technical features	pag 4
Important Safety informations	pag 6
Mounting the lamp	pag 7
Voltage and frequency	pag 8
Installation	pag 8
Mains connection	pag 8
Projector use	pag 9
Opening the projector housing	pag 10
Periodic cleaning	pag 11
Periodic controls	pag 11

MADE IN ITALY



1 TECHNICAL FEATURES

PROFILO COMPACT is a new range of small and lightweight shapers, ideal for use in theatres, showrooms, shops, museums, churches, trade fairs, conferences, etc.

PROFILO COMPACT models offer an elegant and compact design and a choice of different finishes for easy installation even in the most refined settings.

PROFILO COMPACT has an internal system with four shutters to give high-precision shaping of light beams.

PROFILO COMPACT also offers a series of high-level operating features neatly fitted into an extremely small space.

PROFILO COMPACT is available in 2 versions: with halogen lamp (max 300W), or discharge lamp (150W / 70W / 35W) with built-in ballast.

PROFILO COMPACT 35W (Cod. 03.TP006)

35W discharge lamp • Black colour

PROFILO COMPACT 70W (Cod. 03.TP004)

70W discharge lamp • Black colour

PROFILO COMPACT 150W (Cod. 03.TP003)

150W discharge lamp • Black colour

PROFILO COMPACT HALO 300W (Cod. 03.TS004.F)

300W halogen lamp • Black colour

Construction

Extremely compact and lightweight

Steel housing with aluminium edge profiles

Front-box for filter frame and barn door with locking system

Gobo holder for image projection (optional)

Internal ventilation labyrinth

Removable cover for easy access to lamp

Reversible yoke for using the projector in any position

Finishings

Black, White (RAL 9003), Grey (RAL 9006) or other colours on demand

Safety

Frontal protection grille (removable)

Heat insulated knobs and handles

Optical unit

High definition zoom lens with double optical condenser lens

Optical tempered glass lenses with anti-reflective coating

Focal adjustment from 20° to 40°, giving precision movement on a double track

Spherical reflector in polished and treated 99.9% aluminium

Internal system with four removable shutters

Iris

Iris diaphragm

Lampholders

G12 lampholder for discharge lamps (150W / 70W / 35W)

GY9,5 lampholder for halogen lamps (max 300W)

Power supply

230V 50/60Hz

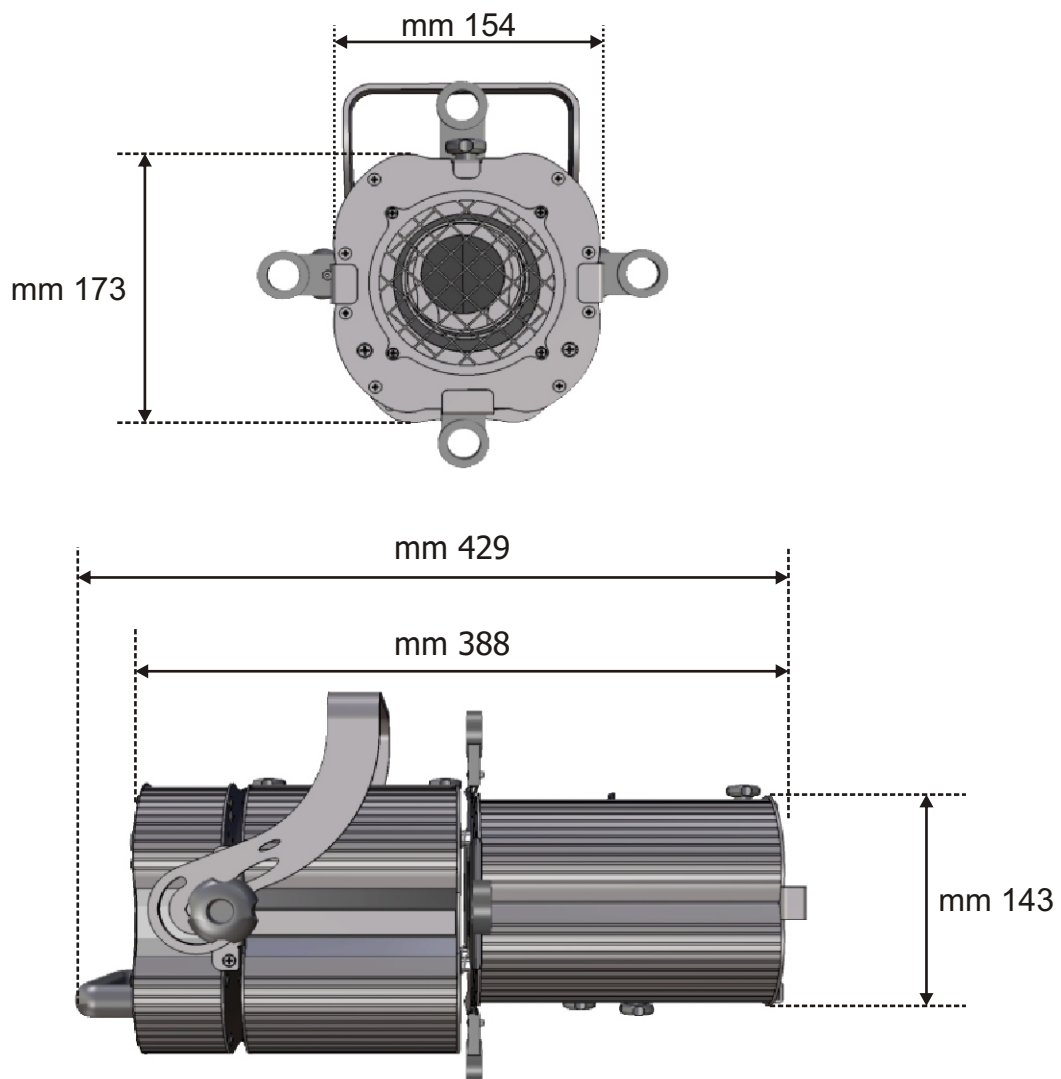
Built-in ballast 230V 50/60Hz (discharge lamp models)

1 TECHNICAL FEATURES

ACCESSORIES

- Barn-door, black finishing (Cod. 03.TA206)
- Iris/diaphragm for Profilo Compact (Cod. 03.TA207)
- Gobo holder (Cod. 03.TA208)
- "C" Clamp G30 black (max. load 5Kg) (cod. 0521A020)
- "C" Clamp G30 chrome (max. load. 5Kg) (cod. 0521A020.20)
- Safety wire (3mm x 60 cm), ring spring catch (max. load 60Kg) (cod. 0521A010)
- GY9,5 M38 300W 230V halogen lamp (Cod. 0505A032)
- GY9,5 CP81 300W 230V halogen lamp (Cod. 0505A005)
- CDM-T150/832 (MCD 150W) discharge lamp (Cod. 0505S003.1)
- CDM-SA/T 150/942 discharge lamp (Cod. 0505S003)
- HSD 150W discharge lamp (Cod. 0505S003.2)
- Gel filters

PROFILO COMPACT DISCHARGE LAMP 150W



2 IMPORTANT SAFETY INFORMATION

2.1 Fire prevention

- Never locate the fixture on any flammable surface.
- Minimum distance from flammable materials: 10 CM.
- Minimum distance from the closest illuminable surface: 30 CM.
- Connect the projector to mains power via a thermal magnetic circuit breaker.

2.2 Prevention of electric shock

- High voltage is present inside the unit. Unplug the unit prior to performing any function which involves touching the inside, including lamp replacement.
- A good earth connection is essential for proper functioning of the projector.
- Never connect the unit without proper earth connection.
- The fixture should be located in places with a good air ventilation.

2.3 Protection against ultraviolet radiation

- Never turn on the lamp if the front lenses are damaged. Their respective shielding function will only operate efficiently if they are in perfect working order.
- Never look directly the lamp when it is on.

2.4 Safety

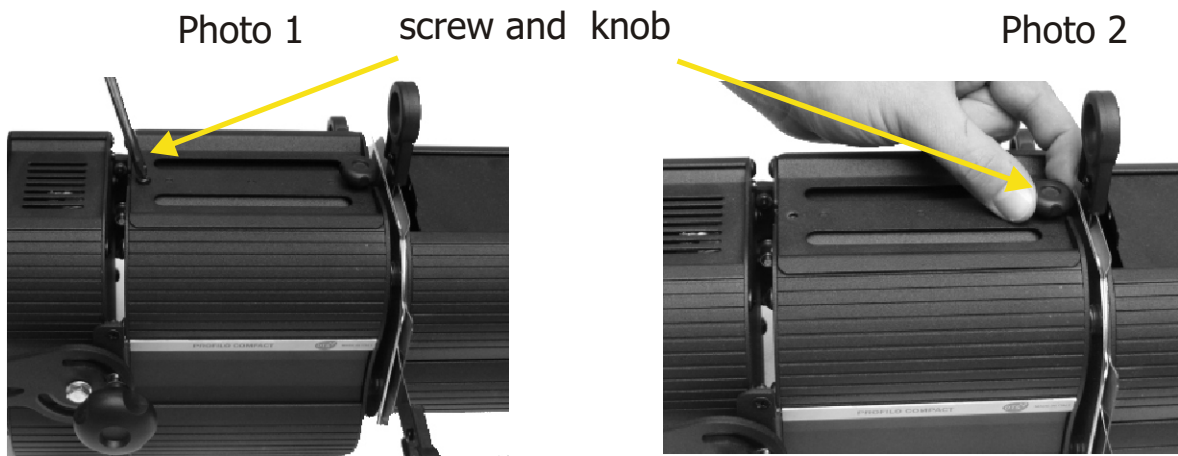
- The projector should always be installed with bolts, clamps and other tools that are capable of supporting the weight of the unit.
- Always use a second safety cable to sustain the weight of the unit in case of the failure of the main fixing point.
- The external surface of the unit, at various points, may exceed 70°C. Never handle the unit until at least 10 minutes have elapsed since the lamp was turned off.
- Always replace the lamp if any physical damage is evident.
- Never install the fixture in an enclosed area lacking sufficient air flow. The ambient temperature should not exceed 40°C.
- A hot lamp may explode, so always wait for at least 10 minutes prior to attempting to replace the lamp.
- Always wear suitable hand protection when handling the lamp.

2.5 Level of protection against the penetration of solid and liquid objects

- The projector is classified as an ordinary appliance and its protection level against the penetration of solid and liquid objects is IP 20.
The projector contains electric and electronic components which should under no circumstances come into contact with oil, water or any other liquid. The proper unit functioning would be compromised should this occur.

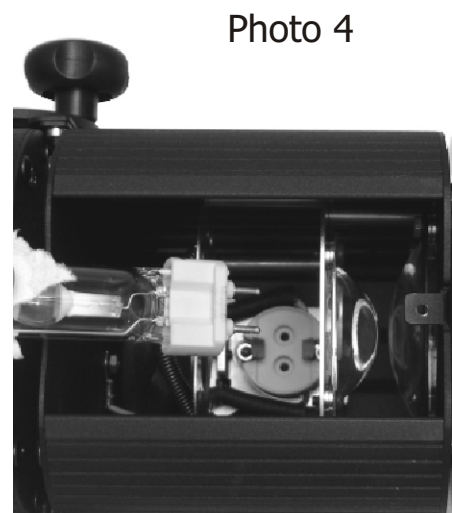
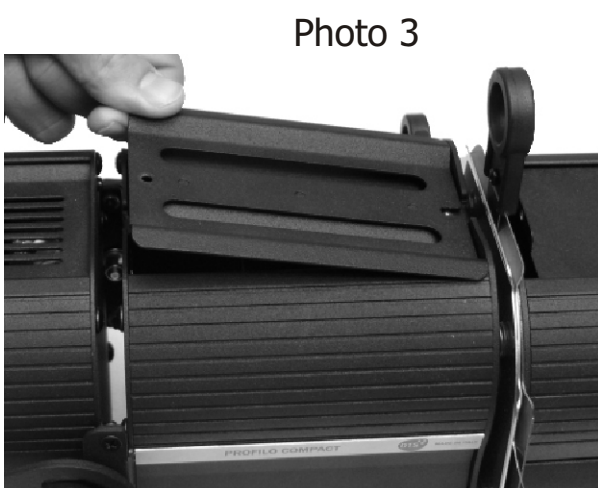
3 MOUNTING THE LAMP

1) Loose the screw and the knob located on the top back side of the unit (Photo 1 and 2).



2) Remove the top back cover (photo 3) and insert the lamp (photo 4). The lamp used is manufactured from quartz glass and should be handled with care. Always adhere to the instructions supplied in the lamp's packaging. Never touch the glass directly but use the tissue provided in the lamp's packaging. The G12 lampbase is symmetrical.

DO NOT USE UNDUE FORCE ON THE GLASS. In case of difficulty, re-read the instructions and repeat the procedure.



No lamp alignment needed

4 VOLTAGE AND FREQUENCY

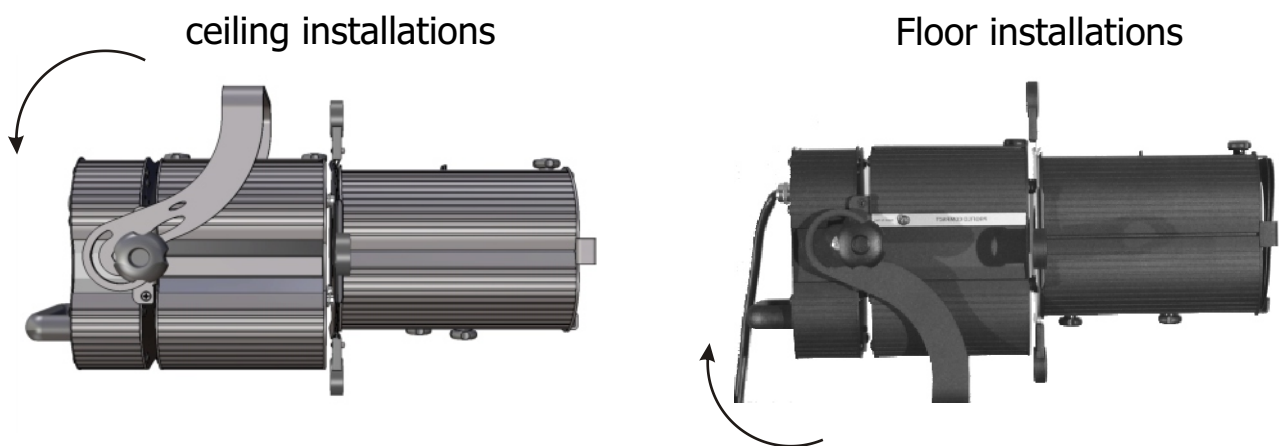
Profilo Compact with discharge lamp operates at 230V 50 - 60 Hz.

5 INSTALLATION

Profilo Compact may be either floor or ceiling mounted.

For ceiling mounted installations, we recommend the use of appropriate clamps to fix the unit to the mounting surface.

A safety cable must always be present.



WARNING: The rear side of the unit, can reach very high temperature. Handle the projector with extreme caution

6 MAINS CONNECTION

PROFILO COMPACT with discharge lamp operates at 230 VOLT 50-60 Hz.

Prior to connecting the unit to your mains supply, ensure that the model in your possession correctly matches the mains supply available. For connection purposes, ensure that your plug is capable of supporting 1,5 amps at 230V,

6.1 Protection

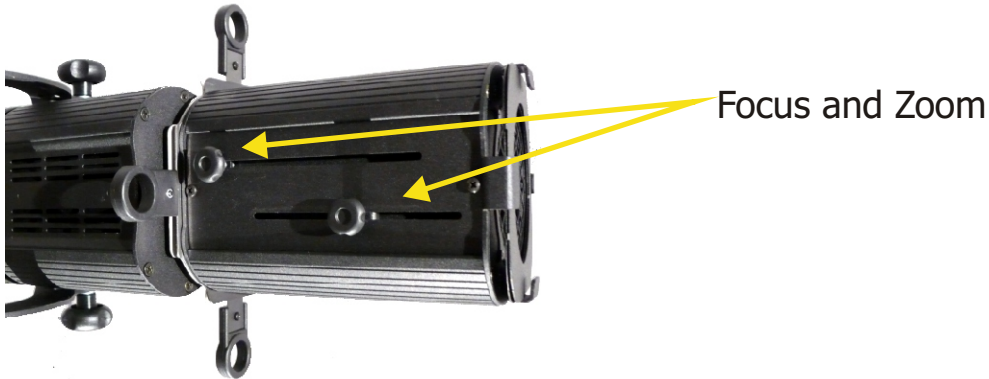
The use of a thermal magnetic circuit breaker is recommended for each unit.

A good earth connection is essential for the correct operation of the projector.

7 PROJECTOR USE

7.1 Focus and Zoom

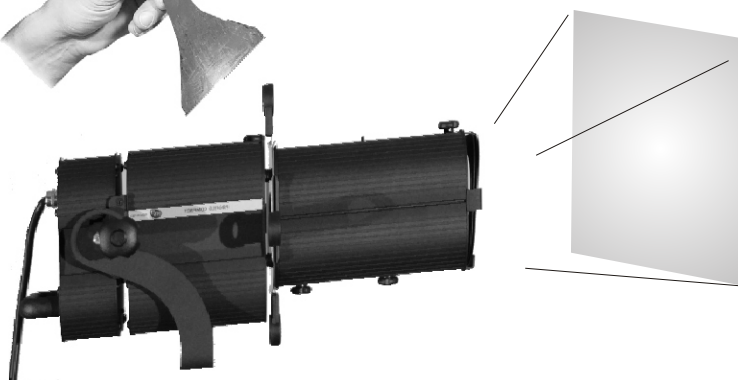
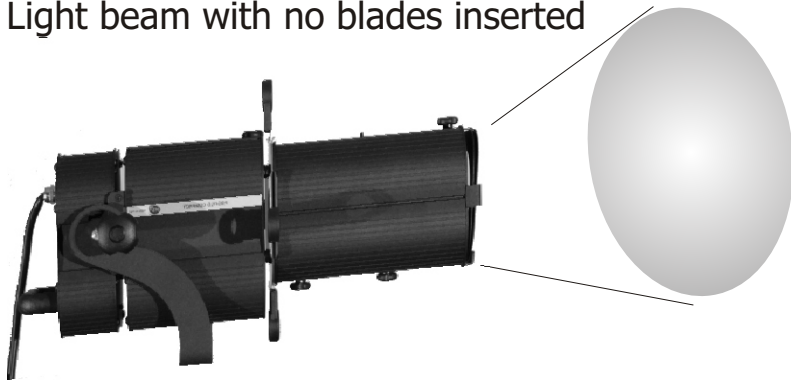
Focus and zoom adjustment lenses, are located on the front side of the unit. Place the projector on the object to illuminate, loose the fixing lenses knobs, adjust the lenses position till the projection is whell focused on the object. Thighten the knobs.



7.2 Blades

Profilo Compact is provided with four independent steel blades. The blades let you create geometrical figures with the light.

Light beam with no blades inserted

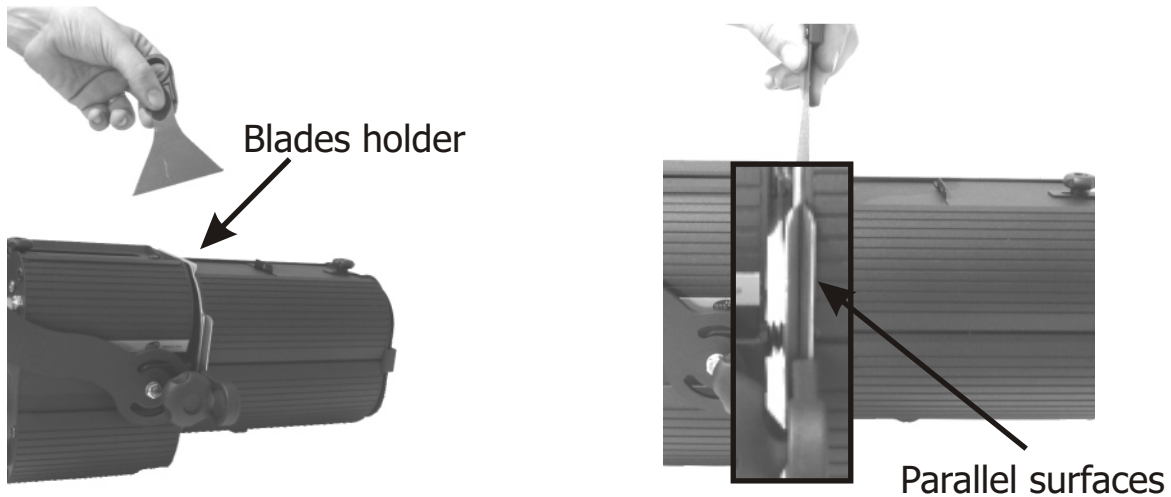


Light beam with blades inserted

7.3 Blades insertion

To insert the blades on the unit, proceed as follow:

Locate the blades holder, place one side of the blade within the two parallel surfaces, push and tilt it on the guide.



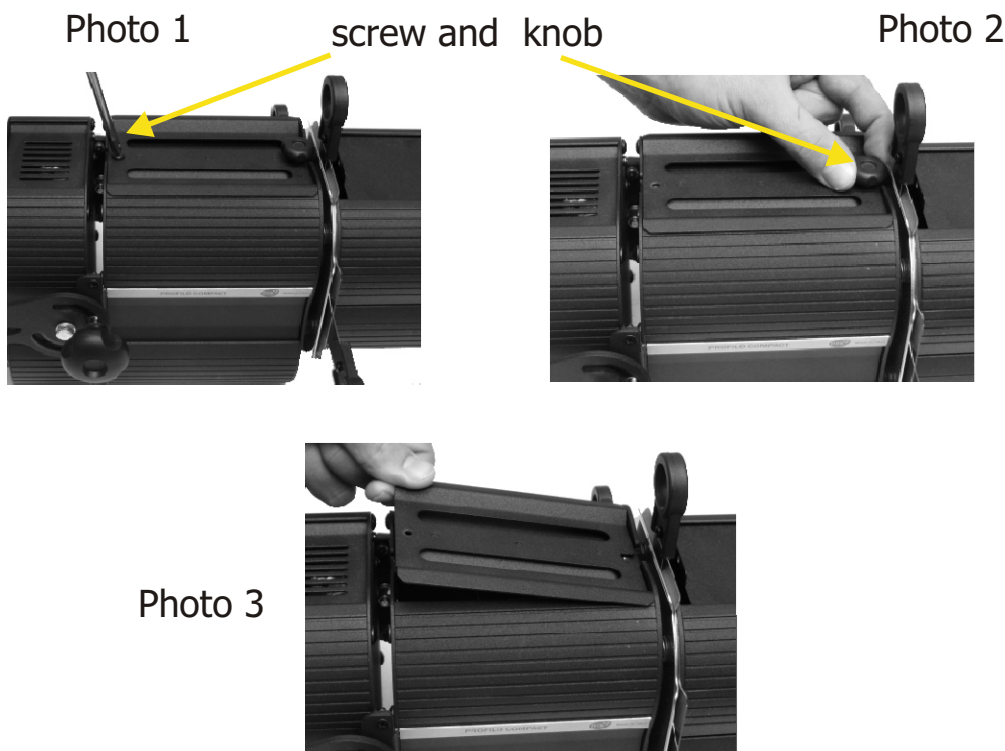
8 OPENING THE PROJECTOR HOUSING

8.1 Back side

It is possible to inspect the inside of the projector by removing the cover as indicated below.

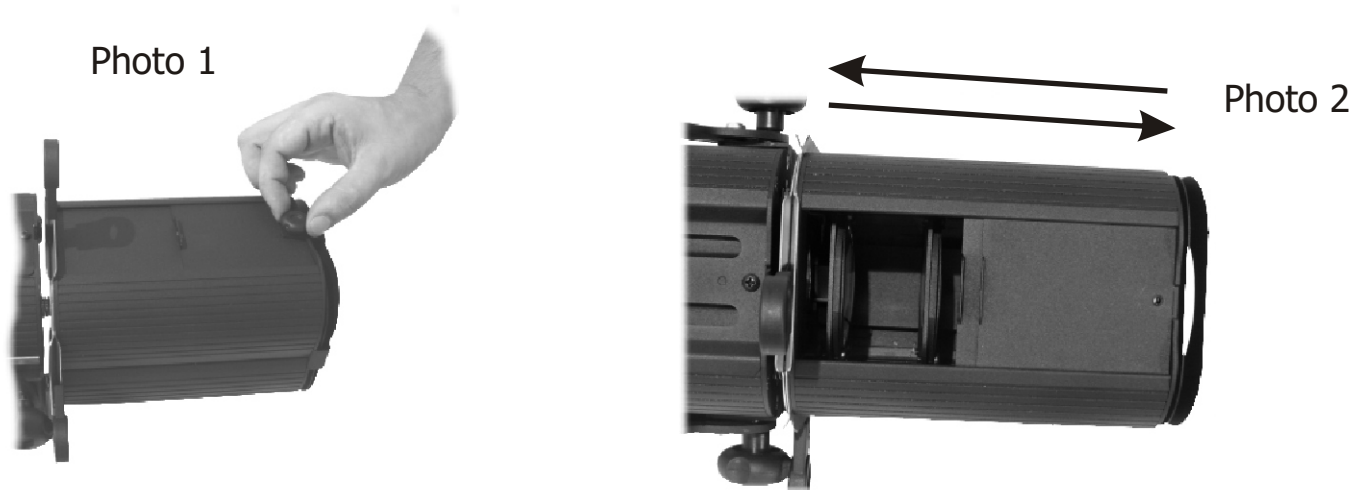
Warning: Remove mains power prior to accessing the projector's internal components.

- 1) Loose the screw and the knob located on the top back side of the unit (photo 1 and 2).
- 2) Remove the top back side cover (photo 3)



8.2 Front side (Focus - Zoom lenses)

- 1) Loose the knob located on the top front side of the unit (photo 1)
- 2) Now it is possible to move the covers for internal inspection (photo 2)



9 PERIODIC CLEANING

Lenses and reflectors

Even a fine layer of dust can reduce the luminous output substantially. Regularly clean all lenses and the reflector using a soft cotton cloth, dampened with a specialist lens cleaning solution.

10 PERIODIC CONTROLS

Lamp

The lamp should be replaced if there is any visible damage or deformation due to heat. This will help to avoid the danger of the lamp explosion.

Mechanical parts

Periodically check all mechanical parts, replacing them if necessary.

Warning:

Disconnect mains power prior to removing the projector housing.

The information contained in this publication has been carefully prepared and checked. However, no responsibility will be taken for any errors. All rights are reserved and this document cannot be copied, photocopied or reproduced, in part or completely, without prior written consent from D.T.S.

D.T.S. reserves the right to make any aesthetic, functional or design modifications to any of its products without prior notice. D.T.S. assumes no responsibility for the use or application of the products or circuits described herein.

MADE IN ITALY



The Lighting Company

ISO 9001:2000

D.T.S. quality system
is certified to the
ISO 9001:2000 standard



D.T.S. products are designed
and manufactured at the D.T.S.
plants in Italy



05171078