

DURAWATT® ELECTRIC • PACKAGED WATER HEATER POLYSHIELD® POLYMER-LINED STORAGE TANK

TANK SERIES 175 GALLONS

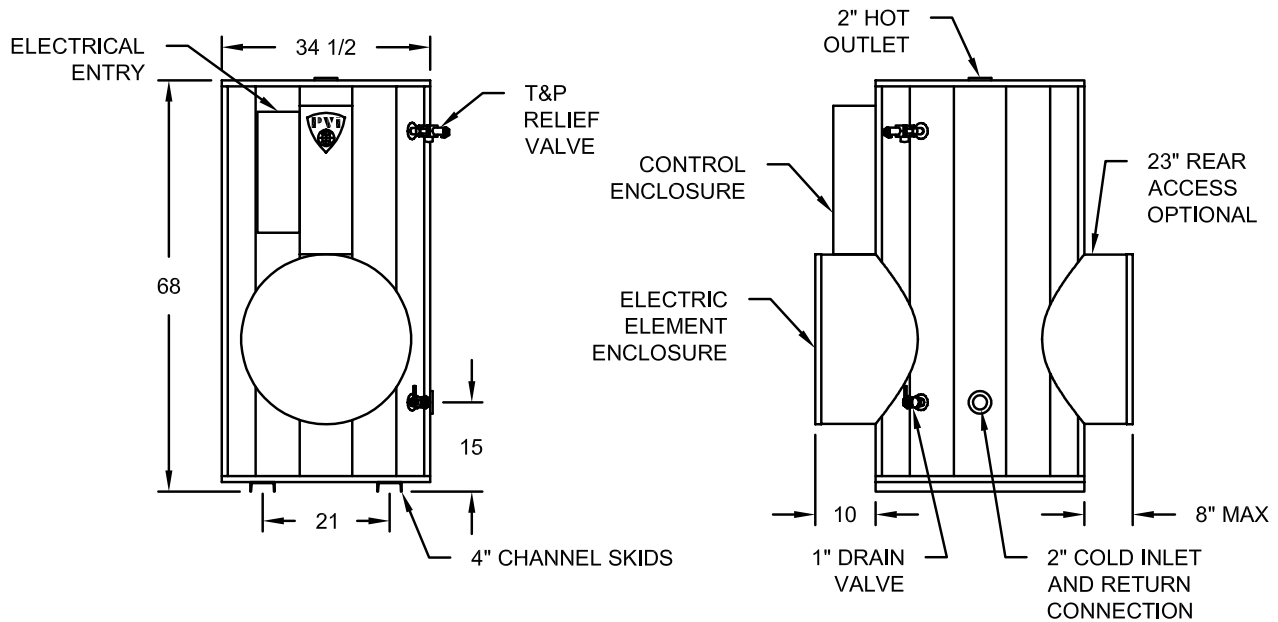
MODEL NUMBER	RECOVERY RATE GPH		INPUT KW	ELEMENT AMPS				SHIPPING WEIGHT lbs
	40°-120°F	40°-140°F		240V, 1Ø	208V, 3Ø	240V, 3Ø	480V, 3Ø	
45 P 175A-E	45	37	9	38	25	22	11	1130
90 P 175A-E	90	70	18	75	50	44	22	1130
140 P 175A-E	140	111	27	113	75	65	33	1130
180 P 175A-E	180	150	36	150	100	87	44	1130
230 P 175A-E	230	184	45	188	125	109	55	1140
270 P 175A-E	270	220	54	225	150	130	65	1140
320 P 175A-E	320	256	63	263	175	152	76	1140
370 P 175A-E	370	300	72	300	200	174	87	1140
410 P 175A-E	410	330	81	338	225	195	98	1150
460 P 175A-E	460	370	90	375	250	217	109	1150
510 P 175A-E	510	400	99	413	275	239	120	1170
550 P 175A-E	550	440	108	450	300	260	130	1170
650 P 175A-E	650	515	126	525	350	304	152	1180
740 P 175A-E	740	590	144	600	400	347	174	1200

ASHRAE 90.1 compliant.

For standard and optional equipment, see form #PV 6010.

Dimensions in inches, unless otherwise noted.

Inputs higher than 144kW are available. Contact PVI representative.



STANDARD ELECTRICAL REQUIREMENTS:

CONTROL CIRCUIT TRANSFORMER SUPPLIED ON 480V ONLY. TAPPED CONTROL CIRCUIT INTERNALLY WIRED FOR 208V AND 240V. 208V AND 240V MODELS REQUIRE AC NEUTRAL CONDUCTOR FOR GROUNDING OF CONTROL CIRCUIT.

ALTERNATE VOLTAGES: FOR 230/460V, MULTIPLY kW AND RECOVERY BY .92. MULTIPLY AMPS BY .96.
FOR 220/440V, MULTIPLY kW AND RECOVERY BY .84. MULTIPLY AMPS BY .92.

PVI RESERVES THE RIGHT TO CHANGE THE DESIGN AND SPECIFICATION WITHOUT NOTICE.



PVI INDUSTRIES, LLC
FORT WORTH, TEXAS 76111
(800) 784-8326 · www.pvi.com

Product is patented in the U.S., Canada, and Mexico.

