

Introduction

Congratulations on your purchase of the Making Life Easy Euro X-Frame Rollator. The rollator is manufactured from high quality materials and includes a sling type fabric seat & backrest; shopping bag and walking stick holder. The handles are height adjustable and the rollator folds easily for transport or storage.

Intended Use

The rollator is designed to assist the user to walk, rest and carry small items. It can be used indoors and outdoors on flat surfaces by a single individual. The maximum user weight is 136kg.

The intended user should possess the necessary physical, visual and cognitive skills to operate the rollator safely. If you have any doubt, please consult your place of purchase.

It is important that the user reads and understands the safety advice given within this manual before attempting to operate the product to avoid possible injury to the user or bystanders and avoid damage to the rollator or surrounding property.

Safety Advice

This rollator is designed to be used as a mobility aid, creating a natural gate as the user walks securely with their primary weight between the handlebars with the unit in front of the user.



DO:

- Read this manual carefully before using the rollator
- Always ensure the brakes are in the locked position if the rollator is left unattended
- Check all castors and wheels are secure before use
- Check the brakes are functioning properly
- Check handle height adjustment hand knobs are secure before use
- Check the rollator is fully unfolded before use
- Take care when carrying the rollator when folded. Keep your hands away from the folding mechanism to prevent any risk of pinching













DO NOT:

- Use the rollator as an aid to transport persons. It is not intended to be used as a wheelchair
- Sit on the rollator if the brakes are not locked. This could cause the rollator to move resulting in injury to the user or other persons
- 'Drop' into the seat of the rollator. Always sit into the rollator in a smooth, controlled motion. Seek assistance if necessary
- Hang objects on the brake levers or handgrips. This could affect brake operation and/or stability of the rollator

Every care has been taken to ensure that the rollator will give you safe, reliable service provided you adhere to the advice given above.

Warranty conditions

- This good has a 12 month warranty from date of purchase.
- Valid proof of purchase is required for all warranty claims.
- Warranty covers manufacturing faults.
- Warranty does not cover change of mind or damage, fault or failure due to external causes, including accident, abuse, misuse, or normal wear and tear.
- Any unauthorised repairs, alterations or modifications or any attempt to open or dismantle the good will render the warranty void.
- Defective goods together with valid proof of purchase should be returned to the place of purchase or your nearest pharmacy that stocks the same goods, or shipped directly to the manufacturer. To locate your nearest pharmacy that stocks the same goods visit www.makinglifeeasy.com.au. If shipped directly to the manufacturer, you must prepay the shipping and transportation charges, and insure the shipment or accept the risk of loss or damage during shipment and transportation. The manufacturer will determine at no cost to you the cause of the fault (if any) within a reasonable time frame. Any repaired or replaced goods, original goods determined not faulty, or refund (if a major failure is determined) will be sent to the pharmacy you returned the goods to for collection, or shipped to you freight prepaid if you shipped the goods directly to the manufacturer.
- Our goods come with guarantees that cannot be excluded under the Australian Consumer Law. You are entitled to a replacement or refund for a major failure and compensation for any other reasonably foreseeable loss or damage. You are also entitled to have the goods repaired or replaced if goods fail to be of acceptable quality and the failure does not amount to a major failure. Goods presented for repair may be replaced by refurbished goods of the same type rather than being repaired.

 Overall Height	 Overall Length	 Overall Width	 Seat Depth	 Seat Width
79 - 92 cm	69.5 cm	66 cm	20 cm	45.5 cm
 Seat Height	 Folded H x D x W	 Castor Size	 Unit Weight	 Weight Capacity
53 cm	66 x 27 x 34 cm	Front 20 cm Rear 17.5 cm	7.7 kg	136 kg

Imported by Aushang IE Co Ltd
For Making Life Easy
250 Camberwell Road
Camberwell VIC 3124
Ph: 1300 653 279

Made in China
www.makinglifeeasy.com.au
Product ID 642541 (07/14)



Rollator Euro X-Frame



Please ensure this manual is read and understood before using the product.

Products that
*improve
your life*

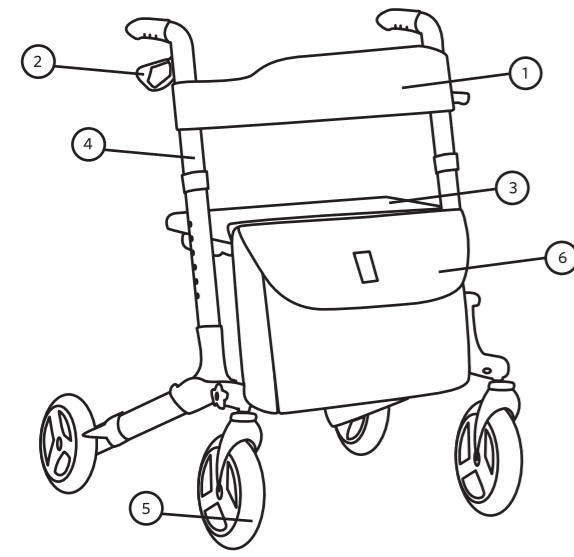


Walking
Aids



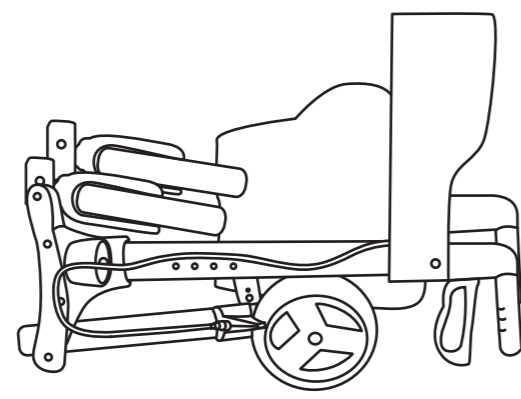
ASSEMBLY INSTRUCTIONS

Components / Parts



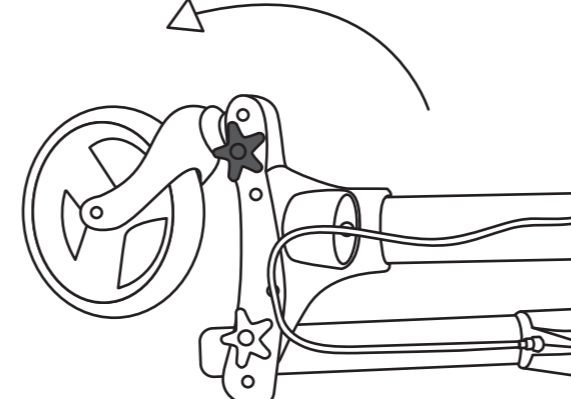
- 1- Backrest
- 2- Adjustable parking / running brake
- 3- Seat area
- 4- Height adjustable handles
- 5- 20 cm swivel front castors (wheels)
- 6- Shopping bag

Step 1



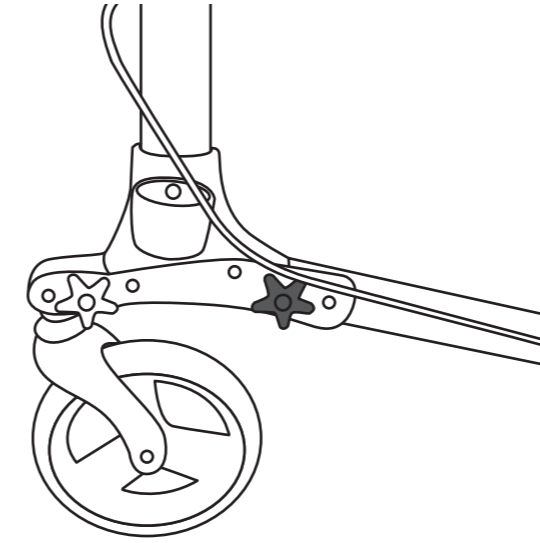
Remove all packaging. The rollator will be folded as shown above.

Step 2



Unfold the front castors and secure in place using the handknobs as shown. Ensure the thread of the handknob screws through the hole in the castor assembly and that the thread screws in the bolt on the inside of the frame.

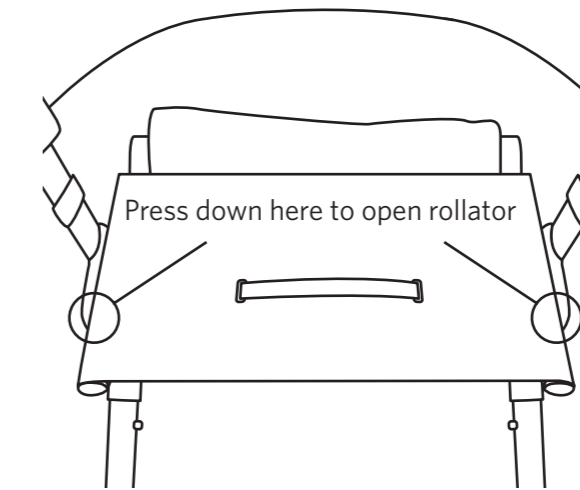
Step 3



Fold out the rear legs as shown above and secure the legs in place with the handknobs. Ensure the handknob screws through the hole in the leg and into the nut on the frame.

⚠ Check both castor and rear leg handknob screws are secure before use.

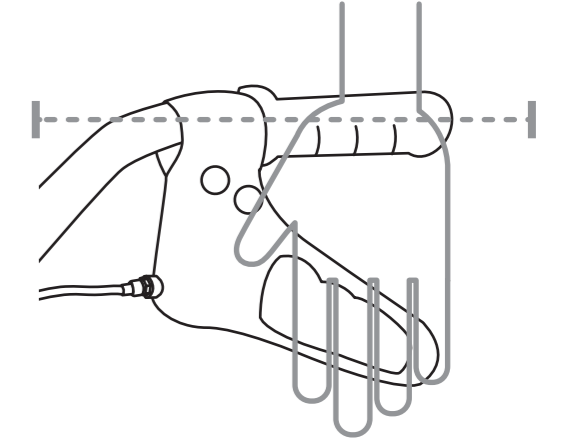
Step 4



Opening the Rollator

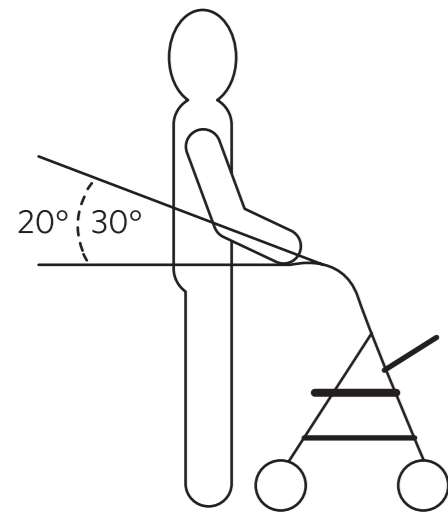
To open the rollator, push down on either side of the cross bars as shown above. You should feel both sides 'click' into position.

Step 5 - Figure A



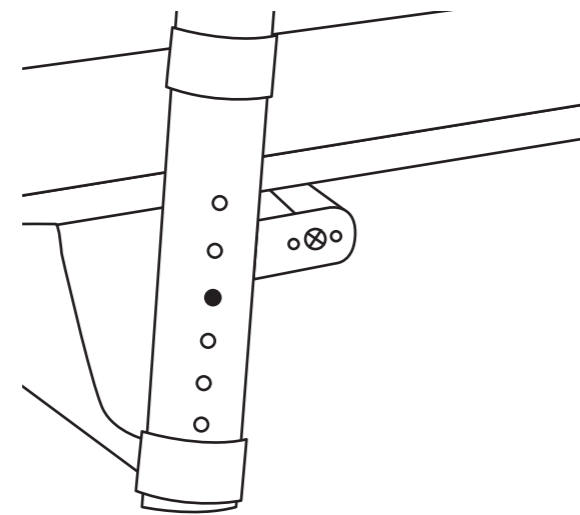
- 1 To adjust to the correct height, stand up straight with your arms by our side. Adjust the hand grip to be level with your wrist (see fig. A).

Step 5 - Figure B



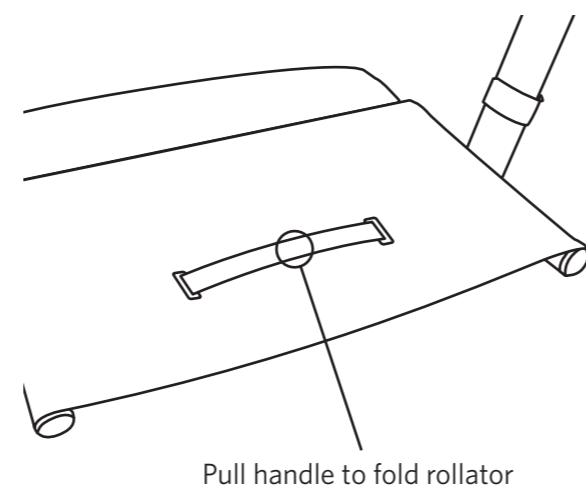
- 2 It is important to fit the rollator correctly as this will ensure your safety and comfort. If the handles are too low this may cause you to lean too far forward and can allow the rollator to roll away from you. If the handles are too high, this may cause unnecessary tension of the shoulders (see fig. B).

Step 5 - Figure C



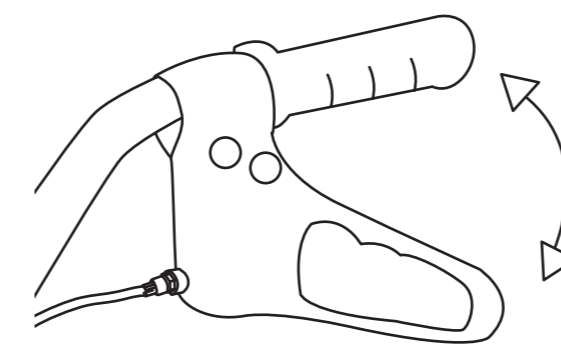
- 3 The spring button should be located in the same position either side of the rollator (see fig. C).

Folding the Rollator



To fold the rollator gently pull the strap in the middle of the seat as shown above.

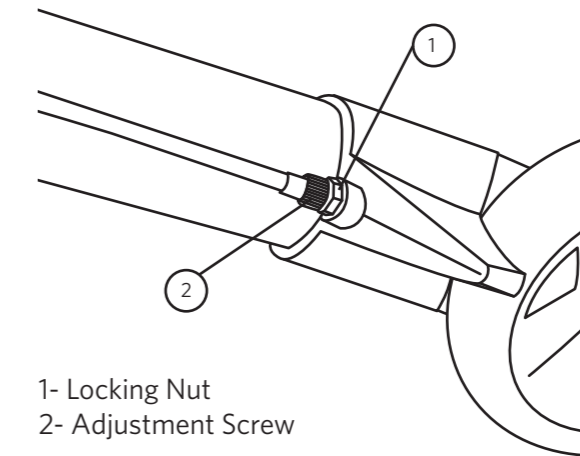
Brake Operation



- 1- Pull up on brake handle lever to slow the rollator.
- 2- Push down on brake handle lever to lock the rear wheels.
- 3- Pull up on brake lever handle to release the lock.

⚠ Brakes must be applied in the lock position when the seat is going to be used. Pre check the lock by pushing forward on the rollator.

Brake Adjustment



- 1- Locking Nut
- 2- Adjustment Screw

Turn the adjuster screw anti-clockwise to increase the tension then lock the adjustment by turning the locking nut clockwise whilst holding the adjuster screw still.

⚠ Reducing the brake pressure may effect the brake in the locked position.

Maintenance

Before each use of the rollator

- 1 - Check that the castors, handles and hand knobs are secure.
- 2 - Check that the brakes are operating correctly. If any part of the rollator appears loose or insecure, contact your place of purchase for assistance.

The brake cables may stretch over time and should be checked regularly. If you need to replace the brake cables, ask for assistance at your place of purchase.

Cleaning

The rollator can be cleaned with a damp cloth or sponge and warm soapy water. Domestic anti-bacterial surface cleaners may be used if required.

Care should be taken not to leave any cleaning residues on the handgrips or seat (where fitted) this may leave them slippery when used.

Do not use scouring pads or scrapers as this may damage surface coatings.