

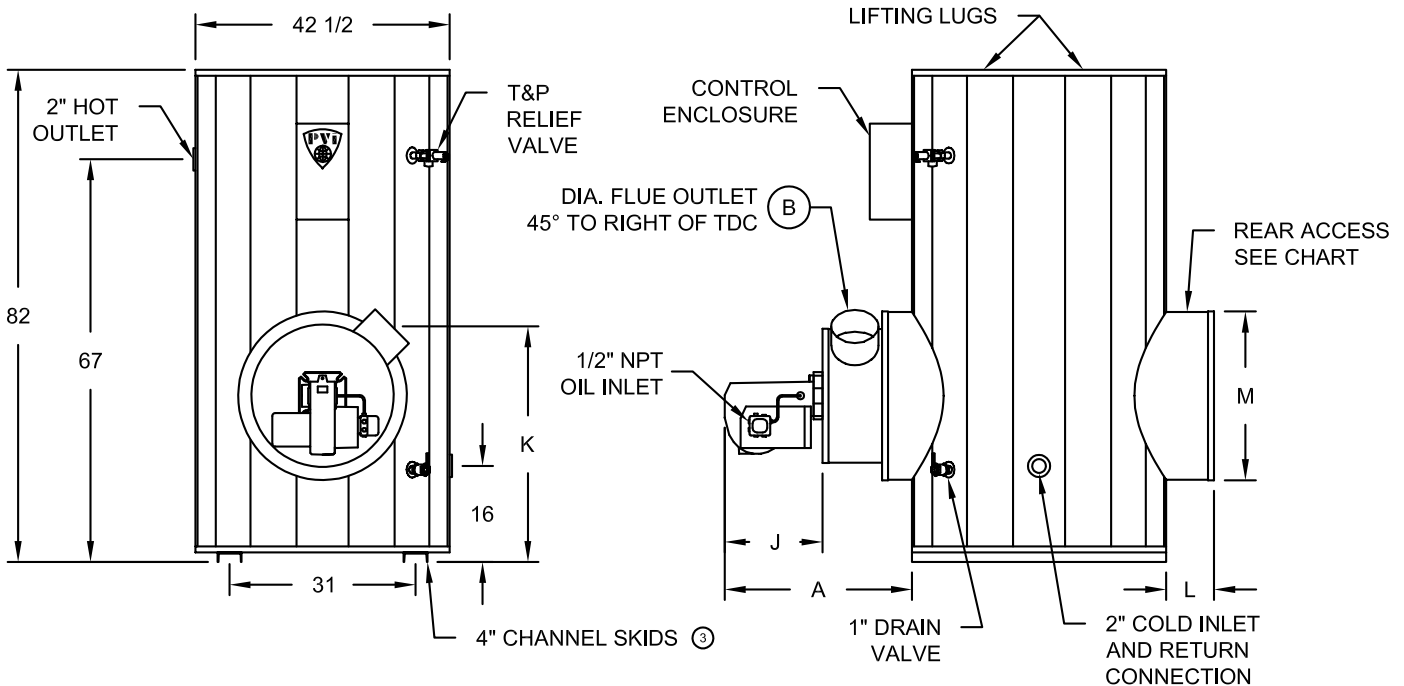


TURBOPOWER® OIL • PACKAGED WATER HEATER
 NICKELSHIELD® NICKEL-PLATED STORAGE TANK

TANK SERIES 400 GALLONS

Model Number	Recovery gph ①		Input Btu/h	Gph #2 Oil	Dimensions (inches)				Blower Motor		Shipping Weight lbs
	40°- 120°F	40°- 140°F			A	B	J ②	K	HP	Volt/Ph/Amps	
250 N 400A-TPO	250	200	199,000	1.4	29	4	17	39	1/3	115/1Ø/8	1700
500 N 400A-TPO	500	400	399,000	2.8	29	5	17	39	1/2	115/1Ø/10	1720
750 N 400A-TPO	750	600	600,000	4.3	32	6	17	39	1/2	115/1Ø/10	1800
1000 N 400A-TPO	1000	800	800,000	5.7	32	8	17	39	1/2	115/1Ø/10	1840
1250 N 400A-TPO	1250	1000	1,000,000	7.2	49	8	17	39	1/2	115/1Ø/10	2080
1500 N 400A-TPO	1500	1200	1,200,000	8.6	49	8	17	39	1/2	115/1Ø/10	2090
2000 N 400A-TPO	2000	1600	1,600,000	11.4	61	10	25	39	1-1/2	115/1Ø/20	2530
2500 N 400A-TPO	2500	2000	2,000,000	14.3	61	10	25	39	1-1/2	115/1Ø/20	2550
3000 N 400A-TPO	3000	2400	2,400,000	17.1	60	12	25	50	1-1/2	115/1Ø/20	2560
3500 N 400A-TPO	3500	2800	2,800,000	20.0	60	12	25	50	5	230/3Ø/16	2590
4000 N 400A-TPO	4000	3200	3,200,000	22.8	60	12	25	50	5	230/3Ø/16	2640

- ① Recoveries based on 83% thermal efficiency. ASHRAE 90.1 compliant for efficiency and standby loss.
- ② "J" dimension is for the burner housing only.
- ③ 4" x 42" Channel skids for inputs ≤ 1000 MBtu/h.
 4" x 53" Channel skids for inputs > 1000 MBtu/h.
 Dimensions are in inches unless otherwise specified.
 For standard and optional equipment, see form PV 6004.



VENTING REQUIREMENTS			
-.02" TO -.06" W.C. (NEGATIVE PRESSURE)			
ENTIRE VENT SYSTEM SHOULD NEVER BE SIZED BASED UPON THE VENT CONNECTION DIAMETER EXCLUSIVELY. FOR PROPER SIZING, CONSULT VENTING SUPPLIER.			
* REAR ACCESS MODULE			
MODEL PREFIX	M	L	STD or OPTIONAL
250-1500	23"	8"	OPTIONAL
2000-2500	23"	18"	STANDARD
3000-4000	30"	25"	STANDARD

STANDARD ELECTRICAL REQUIREMENTS
CONTROL VOLTAGE: 120V, 1Ø, 60 HZ., 2 AMPS.
MOTOR VOLTAGE: 208V, 230V, AND 460V MOTORS ARE AVAILABLE BUT WILL REQUIRE A SEPARATE 120V/2 amps CONTROL CIRCUIT OR AN OPTIONAL CONTROL CIRCUIT TRANSFORMER.

PVI RESERVES THE RIGHT TO CHANGE THE DESIGN AND SPECIFICATION WITHOUT NOTICE.