



PILOT 150

PR-2150

This product manual contains important information about the safe installation and use of this projector. Please read and follow these instructions carefully and keep this manual in a safe place for future reference.

PR LIGHTING LTD

571 Yingbin Road Dashi Panyu Guangzhou 511430, China

<http://www.pr-lighting.com>

INDEX

SECTION	PAGE
SAFE USAGE OF THE PROJECTOR	3
INSTALLING THE PROJECTOR	4
FITTING THE LAMP	4
POWER SUPPLY – MAINS	5
CONTROL CONNECTIONS	5
SETUP OPTIONS – PROJECTOR CONFIGURATION	6
DMX START ADDRESS	6
DMX CONTROL CHANNEL FUNCTIONS	7
STAND – ALONE MODE	7
MASTER/SLAVE SYNCHRO MODE	8
MAINTENANCE	8
KEEPING THE PROJECTOR CLEAN	9
LUBRIFICATION	8
CHANGING THE GOBOS	9
TROUBLESHOOTING	9
TECHNICAL DATA	10
ELECTRICAL DIAGRAM	11
COMPONENT ORDER CODES	12

Please note that as part of our ongoing commitment to continuous product development, specifications are subject to change without notice. Whilst every care is taken in the preparation of this manual we reserve the right to change specifications in the course of product improvement. The publishers cannot be held responsible for the accuracy of the information herein, or any consequence arising from them. Every apparatus is tested completely and packed properly by the manufacturer. Please make sure the packing and / or the apparatus is in good condition before your installation and use. Should there be any damage caused by transportation, consult your dealer and do not use the apparatus. But any damage caused by improper use will not be assumed by the manufacturer and / or dealer.

ACCESSORIES

THESE ITEMS ARE PACKED TOGETHER WITH THE PROJECTOR

Mounting Bracket (1 PCS)
M8x25 for mounting bracket (2 PCS)
Power-cord (1 PCS)
XLR plug (1 PCS)
XLR socket (1 PCS)
Safety cord (1 PCS)
Spare gobos (4 PCS)
This manual (1 PCS)

INTRODUCTION

Thank you for purchasing our PILOT 150 PR-2150.

This product manual contains important information about the safe installation and use of this projector. Please read and follow these instructions carefully and keep this manual in a safe place for future reference.

The PILOT 150 is an innovative projector with an elegant housing, which is made from high intensity and heat-resistant complex plastic. PILOT 150 complies to CE norms and standards and uses international control protocol DMX 512. The projector may also be used as a stand-alone unit, master/slave synchro mode or controller mode if desired, controlled by sound, and/or automatic internal programmes, so it is suitable for many different applications.

PILOT 150 features 9 dichroic colours, 7 interchangeable rotating gobos, and an independent adjustable strobe/shutter. It can be setup easily via the touch-switches and digital display screen.

SAFE USAGE OF THE PROJECTOR

When unpacking and before disposing of the carton check there is no transportation damage before using the projector. Should there be any damage caused by transportation, consult your dealer and do not use the apparatus.

The projector is for Indoor use only, IP20. Use only in dry locations. Keep this device away from rain and moisture, excessive heat, humidity and dust. Do not allow contact with water or any other fluids, or metallic objects.

The projector is only intended for installation, operation and maintenance by qualified personnel.

The projector is not designed or intended to be mounted directly on to inflammable surfaces.



The projector must be installed in a location with adequate ventilation, at least 50cm from adjacent surfaces. Be sure that no ventilation slots are blocked.

Do not project the beam onto inflammable surfaces, minimum distance is 3m. \sphericalangle 3m E

Avoid direct exposure to the light from the lamp. The light is harmful to the eye.

Do not attempt to dismantle and/or modify the projector in any way.

Electrical connection must only be carried out by qualified personnel.

Before installation, ensure that the voltage and frequency of power supply match the power requirements of the projector.

It is essential that each projector is correctly earthed and that electrical installation conforms to all relevant standards.

Do not connect this device to any dimmer pack.

Make sure that the power-cord is never crimped or damaged by sharp edges. Never let the power-cord come into contact with other cables. Only handle the power-cord by the plug. Never pull out the plug by tugging the power-cord.

The projector should always be installed with a secondary safety fixing. A safety cord is supplied for this, it should be attached as shown.

The lamp used in this projector is an HTI 150W/DX discharge lamp. After being switched off don't attempt to restart the projector until lamp has cooled, this will require approx 15 minutes. Switching the lamp on and off at short intervals will reduce the life of both the lamp and the projector.

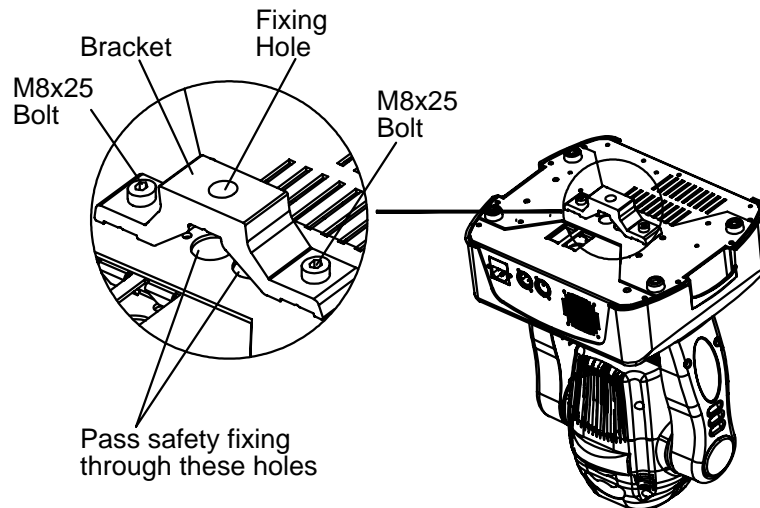
Never run the projector without a lamp.

There are no user serviceable parts inside the projector, do not open the housing and never operate the projector with the covers removed.

Always disconnect from the mains, when the device is not in use or before cleaning it or before attempting any maintenance work.

If you have any questions, don't hesitate to consult your dealer.

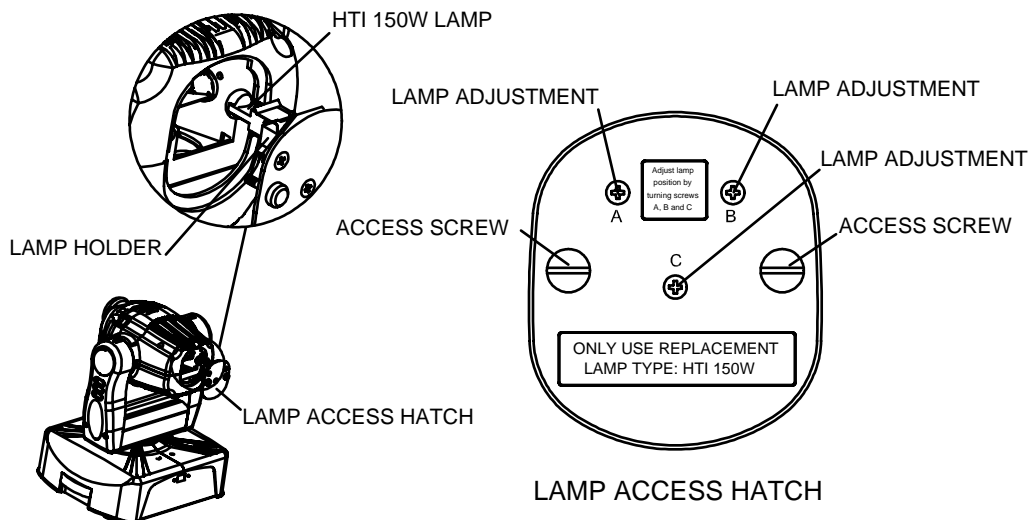
INSTALLING THE PROJECTOR



The projector should be mounted via its bracket using one M12 bolt. The bracket itself attaches to the underside of the projector with two (2) M8x25 bolts provided. Always ensure that the projector is firmly anchored to avoid vibration and slipping whilst operating. Always ensure that the structure to which you are attaching the projector is secure and is able to support a weight of 11.5Kg for each PILOT 150. For safety the projector should have a secondary fixing with a safety chain through the holes on the underside of the unit.

WARNING: The projector should NEVER be lifted or carried by the yoke.

FITTING THE LAMP



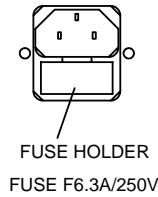
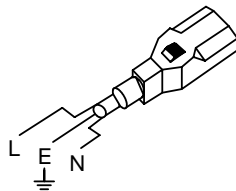
Open the lamp access hatch at the rear of the projector by undoing the 2 access screws as shown above. Insert an HTI 150W/DX lamp in the lamp holder. Close the access hatch carefully and retighten the 2 access screws.

NOTE: To optimize light output it will be necessary to adjust the lamp alignment to obtain an even distribution of light within the beam. The three screws (marked A, B, and C) may be gently turned to center the lamp within the reflector. The projector should be switched on with the shutter open and the beam focused to do this, it is also advisable to allow the lamp 5 minutes to come up to full brightness before starting to align it. Note: the three screws will only need a small adjustment to centre the lamp, do not try to unscrew them completely. Read the rest of this manual and then come back to this section to align the lamp.

The HTI series are high pressure lamps with external igniters \triangle . Care should always be taken when handling these lamps. Always read the manufacturers "Instructions for use" enclosed with the lamp.

POWER SUPPLY – MAINS

L = BROWN
 E = GREEN/YELLOW
 N = BLUE

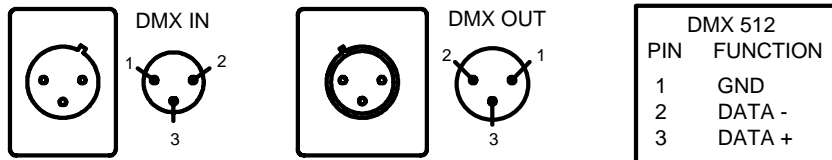


Use the plug provided to connect the mains power to the projector paying attention to the voltage and frequency marked on the panel of the projector. It is recommended that each projector is supplied separately so that they may be individually switched on and off.

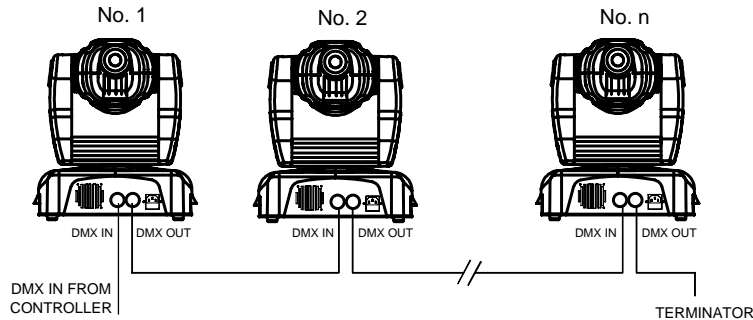
IMPORTANT

It is essential that each projector is correctly earthed and that electrical installation conforms to all relevant standards. Power consumption of the PILOT 150 is 280W.

CONTROL CONNECTIONS

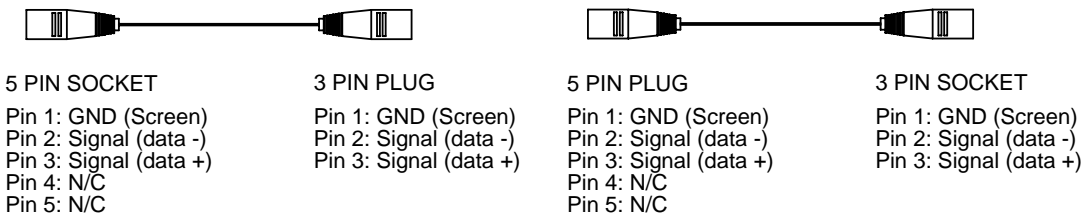


Connection between controller and projector and between one projector and another must be made with 2 core screened cable, with each core having at least a 0.5mm diameter. Connection to and from the projector is via cannon 3 pin XLR plugs and sockets which are included with the projector. The XLR's are connected as shown in the table above. Note, care should be taken to ensure that none of the connections touch the body of the plug or each other. The body of the plug is not connected in any way. The PILOT 150 accepts digital control signals in standard DMX512 (1990) format.



Connect the controller's output to the first fixture's input, and connect the first fixture's output to the second fixture's input. The rest may be deduced by analogy. Eventually connect the last fixture's output to a DMX terminator as shown in the figure above.

PILOT 150 uses 3-pin XLR plug / socket. If your controller uses 5-pin XLR plug / socket, you should use a conversion cable from 5-pin to 3-pin as shown below.

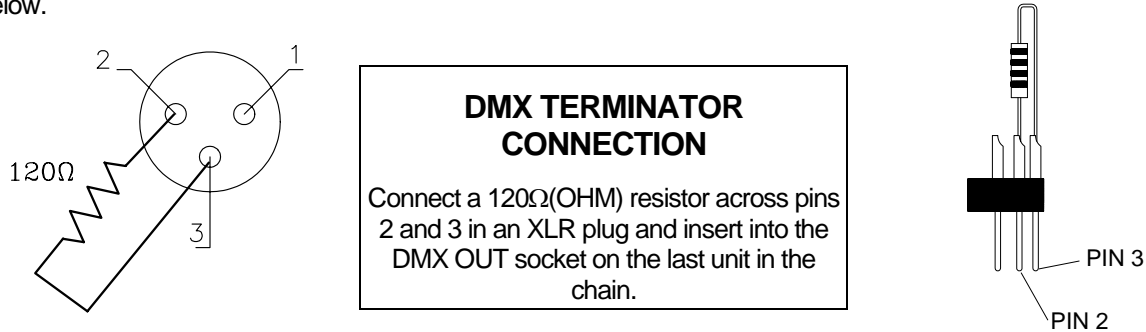


When a DMX 512 signal is received the LED located near the digital display will illuminate green. When not receiving a DMX signal the green and red LEDs will be off, and if the green LED flashes, it means that the DMX signal is not correct.

DMX TERMINATOR

At the last fixture in the chain, the DMX output has to be connected with a DMX terminator. This prevents electrical noise from disturbing and corrupting the DMX control signals.

The DMX terminator is simply an XLR connector with a 120Ω (ohm) resistor connected across pins 2 and 3, which is then plugged into the output socket on the last projector in the chain. The connections are illustrated below.



SETUP OPTIONS – PROJECTOR CONFIGURATION

To browse through the various Setup Options, press the **FUNC** button consecutively. There are 6 Option codes (1~6), and each code has a specific function. The functions provided are listed in the following table.

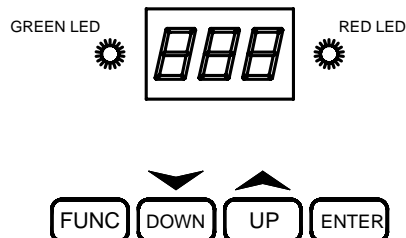
CODE	CHOICE	FUNCTION
1	Y	Tilt inversion enable-Tilt is inverted
1	N	Tilt inversion disable-Tilt is normal
2	Y	Pan inversion enable-Pan is inverted
2	N	Pan inversion disable-Pan is normal
3	Y	Sound control (effect 1) enable
3	N	Sound control (effect 1) disable
3	Y	Sound control (effect 2) enable
4	Y	Sound control (effect 2) enable
3	N	Sound control (effect 2) disable
4	Y or N	Sound control (effect 2) disable
5	Y	Automatic programmes (effect 1) enable
5	N	Automatic programmes (effect 1) disable
4	Y	Automatic programmes (effect 2) enable
5	Y	Automatic programmes (effect 2) enable
4	N	Automatic programmes (effect 2) disable
5	Y or N	Automatic programmes (effect 2) disable
6	Y	16bit Pan/Tilt movement resolution enable
6	N	16bit Pan/Tilt movement resolution disable

Once you have selected the desired operation code, press the key **UP** or **DOWN** to select either “n” (means OFF) or “y” (means ON). n = NO, y = YES.

Press the key **ENTER** to save the selected function and configuration. If the display is showing “y”, then the setting has been enabled. In the same way, if it was showing “n” when you pressed **ENTER** the option has been disabled.

The Red LED will flash during this operation.

PROJECTOR DMX START ADDRESS



Each PILOT 150 must be given a DMX start address so that the correct projector responds to the correct control signals. This DMX start address is the channel number from which the projector starts to “listen” to the digital control information being sent out from the controller. The PILOT 150 has 8 channels, so set the No. 1 projector’s address 001, No. 2 projector’s address 009, No. 3 projector’s address 017, No. 4 projector’s address 025, and so on.

The display shows the DMX start address after the projector is switched on (if you have already set the DMX start address and saved it, the screen will display the last setting).

TO SET THE DMX START ADDRESS

Press the **UP** or **DOWN** buttons and the display will show the DMX start address.

Confirm your choice by pressing the **ENTER** button, this will save and set the DMX start address.

The display will show the latest setting each time the projector is powered up.

To control the projector with a DMX controller the DMX start address must be set.

Ensure that none of the Stand-Alone options are set or they will interfere with correct DMX operation.

DMX CONTROL CHANNEL FUNCTIONS

The PILOT 150 uses 8 DMX channels. They are listed in the following table.

CHANNEL	DMX VALUE	DESCRIPTION
1 GOBO WHEEL	0-33	Open / Clear 5-7: Holding for 3 seconds, the unit will reset and then restart
	34-66	GOBO 1 (Swirl)
	67-99	GOBO 2 (Tri-ring)
	100-132	GOBO 3 (Windmill)
	133-165	GOBO 4 (Multi-circle)
	166-199	GOBO 5 (Stars)
	200-232	GOBO 6 (Ring)
	233-255	GOBO 7 (Three-prong)
2 GOBO ROTATION	0-8	Stop
	9-163	Orientation from 0° to 360°
	164-205	Rotate from slow to fast
	206-213	Stop
	214-255	Rotate in opposite direction from slow to fast
3 COLOUR WHEEL	0-27	Open (White)
	28-55	Red
	56-83	Yellow
	84-111	Light green
	112-139	Pink
	140-167	Ultraviolet colour
	168-195	Cyan
	196-223	Green
	224-251	Blue
	252-255	Orange
4 STROBE	0-21	Black-out
	022-110	Open gradually from black to full open (dimming)
	111-135	Open
	136-247	Strobe adjust from slow to fast (1 ~7 flashes / sec.)
	248-255	Open
5 PAN	0-255	Pan movement from 0° to 370°
6 TILT	0-255	Tilt movement from 0° to 265°
7 PAN 16BIT	0-255	16 Bit Pan movement (High-resolution)
8 TILT 16BIT	0-255	16 Bit Tilt movement (High-resolution)

NOTE:

The channels 7 and 8 are only available when the Setup Option 6 (high resolution) is "ON".

For the exact setting refer to "Setup Options – Projector Configuration" above.

STAND – ALONE MODE

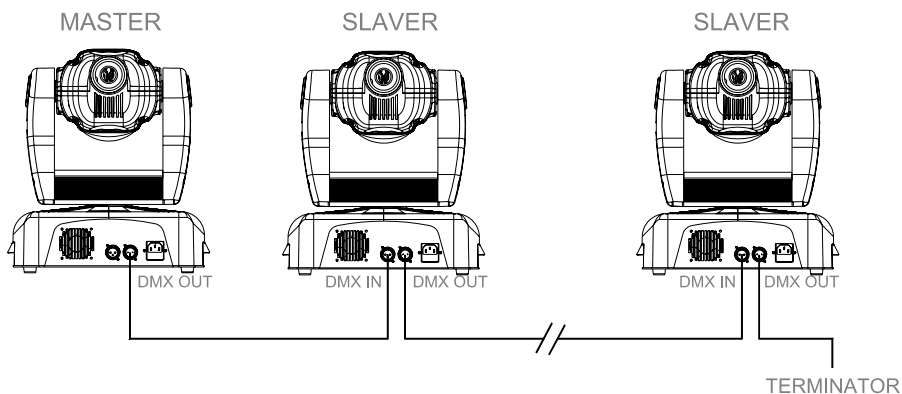
To operate the projector without connecting a controller, enable a combination of setup options 3, 4 and 5, the projector will run in Stand-Alone mode with or without sound activation depending on the options that have been selected. See the section on "Setup Options – Projector Configuration" for full details of the available combinations.

MASTER / SLAVE SYNCHRO MODE

Without using a controller, many projectors can run synchronously in the Master/Slave mode by linking them with each other.

Select one projector as the master with setting the DMX start address at random. Regard the other projectors as the slaves setting all DMX start address "001".

Connect the master's output to the first slave's input, and connect the first slave's output to the second slave's input. The rest may be deduced by analogy. Eventually connect the last slave's output to a DMX terminator as shown in the figure below.



MAINTENANCE

If the projector's lens becomes damaged or broken it should be replaced. If the lamp becomes damaged or deformed in any way it must be replaced. If the light from the lamp appears dim this would normally indicate that it is reaching the end of its life and it should be changed at once, old lamps run to the extremity of their life can explode. If the projector does not function, check the fuses on the power socket of the projector, they should only be replaced by fuses of the same specified value 6.3A/250V. On the main PCB inside the projector there is also a fuse rated 4A/250V. Should these be damaged call a qualified technician before replacement. The projector has thermal protection device that will switch off the projector in case of overheating, should either of these operate, check that the fans are not blocked, and if they are dirty clean them before switching on the projector again. Check that the fans are operational, if not call a qualified technician.

Any maintenance work should only be carried out by qualified technicians.

KEEPING THE PROJECTOR CLEAN

To ensure the reliability of the projector it should be kept clean. It is recommended that the fans should be cleaned every 15 days. The lens and dichroic colour filters should also be regularly cleaned to maintain an optimum light output. Do NOT use any type of solvent on dichroic colour filters.

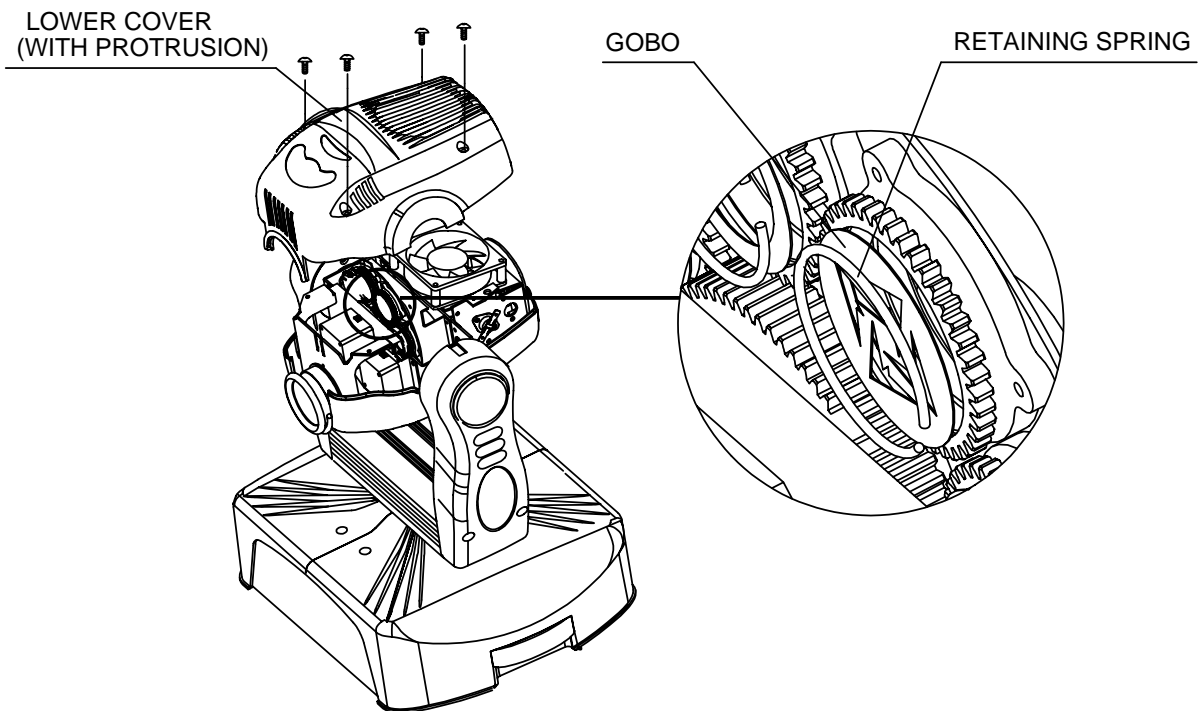
Cleaning frequency depends on the environment in which the fixture operates: damp, smoke or particularly dirty surroundings can cause greater accumulation of dirt on the unit's optics. A soft cloth and typical glass cleaning products should be used in cleaning. It is recommended to clean the external optics at least once every 20 days and clean the internal optics at least once every 30 / 60 days.

Do not use any organic solvent, e.g. alcohol, to clean the reflector mirror, dichroic color filters or housing of the apparatus.

LUBRIFICATION

To ensure the continued smooth rotation of the rotating gobos it is recommended that the wheel is lubricated periodically, preferably every two months. Use only high working temperature low viscosity oil, a syringe with a fine needle is the easiest way to introduce the oil to the bearings around each gobo. Do not over lubricate as this will cause spillage when the wheel rotates.

CHANGING THE GOBOS



Carefully lift off the lower cover by undoing the 4 screws. (Note: the lower cover has an obvious protrusion on the surface, which is different from the upper cover.)

Using a small screwdriver remove the gobo retaining spring.

Insert the gobo (or a glass gobo) into position, and then insert the retaining spring.

Mount the lower cover and tighten the 4 screws again.

NOTE: It is recommended to add a little adhesive, such as high temperature silicon sealant, to hold securely the retaining spring inside the gear.

TROUBLESHOOTING

PROBLEM	POSSIBLE CAUSE	ACTION
The projector doesn't switch on	-The power supply is not present -The lamp is not working	Check the fuse on the power socket. Replace the lamp.
The lamp comes on but the projector doesn't respond to the controller	-Wrong DMX configuration and/or start address - Defective DMX cable	Make sure that the projector is correctly configured. Replace or repair the DMX cable.
The projector only functions intermittently	-The fan has failed	Make sure the fan is working and not dirty.
Defective projection	-The lens is broken -Dust or grease on lenses	Check the lenses are not broken. Remove dust or grease from the lenses.
The projected image appears to have a halo	-Installation of the lamp is not correct -Dust or grease contamination on the optics.	Make sure the lamp is installed correctly. Carefully clean the optical group lenses and the projector components.
The beam appears dim	-Dust or grease contamination on the optics. -The lamp is at the end of its life	Check the optics are clean. Replace with a new lamp of the specified type and rating.

TECHNICAL DATA

VOLTAGES: 100/120/200/220/230/240V AC, 50Hz or 60Hz To Order.

POWER CONSUMPTION:
280W @ 220V

LAMP: Type : HTI 150W/DX discharge lamp.
Colour Temperature: 6500°K
Socket: GY9.5
Manufacturers Rated Lamp Life: 750 Hours

COLOURS:
9 Dichroic colours plus white

GOBOS:
7 interchangeable, rotating gobos,
with 4 extra supplied as standard.
Gobo diameter: 26.9mm
Gobo image diameter: 22mm

SHUTTER/STROBE:
Shutter for blackout and strobe 1 – 7 F.P.S.

HEAD MOVEMENT:
Pan 370° Tilt 265°

CONTROL:
DMX512: 6 Channels plus 2 for Hi Res. Pan and Tilt
Stand-Alone Automatic mode and Sound Activation

RUNNING MODE:
Stand-Alone mode, Master-slave mode and Controller mode

MOTORS:
6 Stepper motors

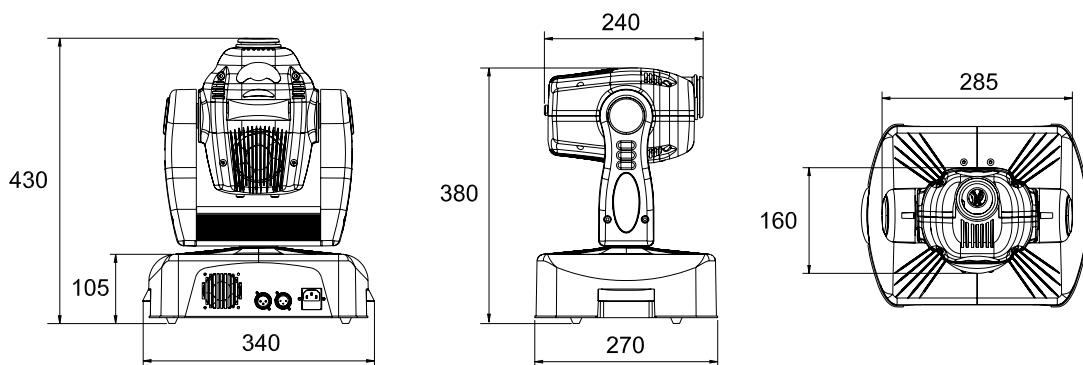
HOUSING:
Metal and composite plastic (IP20)

WEIGHT:
12Kg.

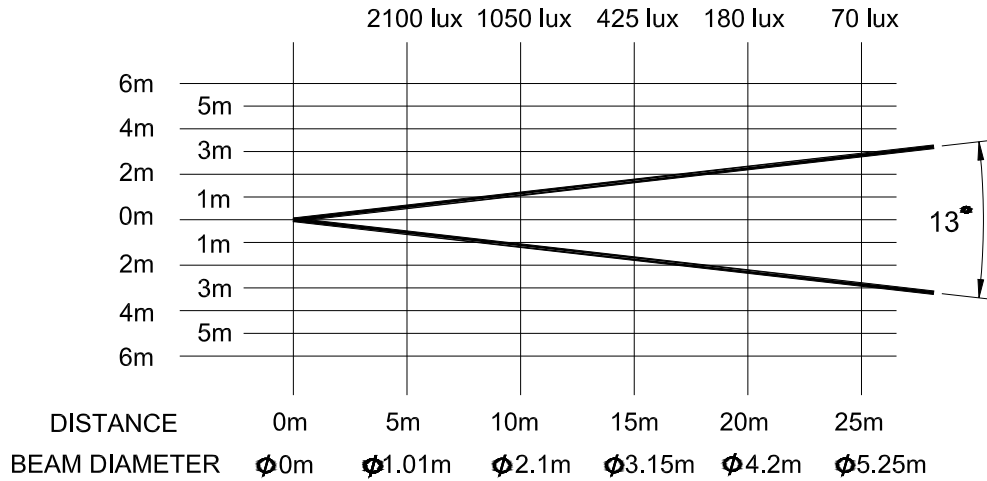
PACKED DIMENSIONS:
380mm LONG x 340mm WIDE x 470mm HIGH

PACKED WEIGHT:
13.5Kg.

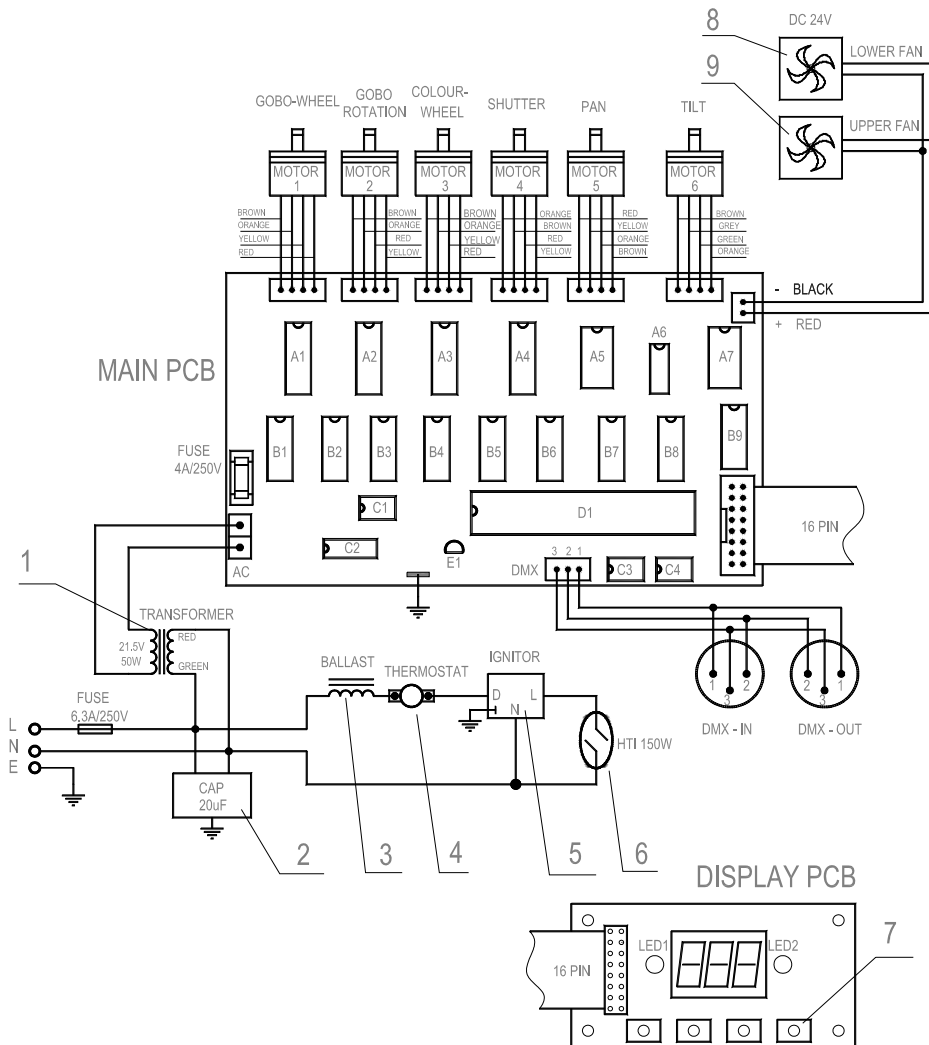
DIMENSIONS



LIGHT OUTPUT



ELECTRICAL DIAGRAM



COMPONENT ORDER CODES FOR PR-2150

NO	NAME	PART NO.	REMARK
1	TRANSFORMER	040020035	240V/50Hz
		040020037	100V/200V/230V 50/60Hz
		040020033	100V/120V/220V 50/60Hz
2	CAPACITOR	140010011	20 μ F/AC370V
3	BALLAST	040070027	240V/50Hz
		040070022	220V-230V/50-60Hz
4	THERMOSTAT	190010066	75°C/10A
5	IGNITOR	040090017	240V/50Hz
		040090014	230V/50Hz
		040090018	200V/60Hz
6	LAMP	100050014	HTI 150W
7	TOUCH SWITCH	191010028	
8	FAN IN BASE	030069005	DC24V/2.4W
9	FAN IN HEAD	030069006	DC24V/2.6W
MOTOR 1	(GOBO-WHEEL) MOTOR	030040070	16HY1405-01NL
MOTOR 2	(GOBO ROTATION) MOTOR	030040057	16HY7403-01L
MOTOR 3	(COLOUR-WHEEL) MOTOR	030040057	16HY7403-01L
MOTOR 4	(SHUTTER) MOTOR	030040072	16HY7403-04L
MOTOR 5	(PAN) MOTOR	030040054	17HS3005L
MOTOR 6	(TILT) MOTOR	030040042	17HS1013-04L
A1~A4	IC	170170003	DRIVER CHIPS
A5	IC	170110004	
A6	IC	170050001	ARITH-AMPLIFIER CHIP
A7	IC	170110004	DRIVER CHIP
B2, B2	IC	170170037	D/A CONVERSION CHIP
B3	IC	170040014	TTL LOGIC CHIP
B4~B7	IC	170170037	D/A CONVERSION CHIP
B8, B9	IC	170040014	TTL LOGIC CHIP
C1	IC	170170039	STABLE VOLTAGE CHIP
C2	IC	170050001	ARITH-AMPLIFIER CHIP
C3	IC	170170012	BUS CHIP
C4	IC	170040033	EEPROM CHIP
D1	IC	230040109	MICROPROCESSOR
E1	IC	170040035	RESET CHIP
NOT SHOWN	PAN DRIVE BELT	290151202	101MXL BELT (126 TEETH)
NOT SHOWN	TILT DRIVE BELT	290151208	168MXL BELT (210 TEETH)

NOTE: You may order all parts of the PILOT 150 besides those in the table listed above. When ordering please state the exact name and part number, if you know it or can find it in the table above, if you cannot find the name and part number above please give a full and clear description of the part and where it is located in the projector. Repairs must be carried out by a qualified technician.

PR LIGHTING LTD

571 Yingbin Road Dashi Panyu Guangzhou 511430, China
TEL: +86 (20) 8478 1888
FAX: +86 (20) 8478 6023

P/N: 321010042
Last Revision: 19:03:2003