

DURAWATT® ELECTRIC • PACKAGED WATER HEATER POLYSHIELD® POLYMER-LINED STORAGE TANK

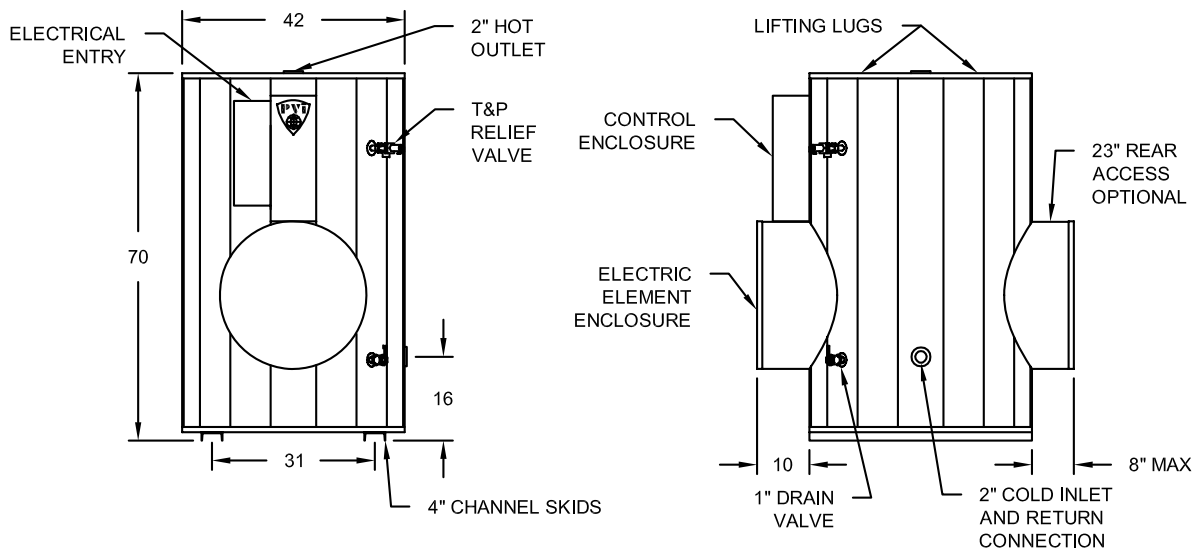
TANK SERIES 300 GALLONS

MODEL NUMBER	RECOVERY RATE GPH		INPUT kW	ELEMENT AMPS				SHIPPING WEIGHT lbs
	40°-120°F	40°-140°F		240V, 1Ø	208V, 3Ø	240V, 3Ø	480V, 3Ø	
45 P 300A-E	45	37	9	38	25	22	11	1470
90 P 300A-E	90	70	18	75	50	44	22	1470
140 P 300A-E	140	111	27	113	75	65	33	1470
180 P 300A-E	180	150	36	150	100	87	44	1470
230 P 300A-E	230	184	45	188	125	109	55	1480
270 P 300A-E	270	220	54	225	150	130	65	1480
320 P 300A-E	320	256	63	263	175	152	76	1480
370 P 300A-E	370	300	72	300	200	174	87	1480
410 P 300A-E	410	330	81	338	225	195	98	1490
460 P 300A-E	460	370	90	375	250	217	109	1490
510 P 300A-E	510	400	99	413	275	239	120	1490
550 P 300A-E	550	440	108	450	300	260	130	1490
650 P 300A-E	650	515	126	525	350	304	152	1520
740 P 300A-E	740	590	144	600	400	347	174	1540
830 P 300A-E	830	660	162	675	450	390	195	1540
920 P 300A-E	920	740	180	750	500	434	217	1570
1100 P 300A-E	1100	880	216	900	600	520	260	1580
1300 P 300A-E	1300	1030	252	1050	700	607	304	1590
1470 P 300A-E	1470	1180	288	1200	800	693	347	1600
1650 P 300A-E	1650	1330	324	1350	900	780	390	1610
1850 P 300A-E	1850	1480	360	1500	1000	867	434	1620

ASHRAE 90.1 compliant.

For standard and optional equipment, see form #PV 6010.

Dimensions in inches, unless otherwise noted.



STANDARD ELECTRICAL REQUIREMENTS:
 CONTROL CIRCUIT TRANSFORMER SUPPLIED ON 480V ONLY. TAPPED CONTROL CIRCUIT INTERNALLY WIRED FOR 208V AND 240V. 208V AND 240V MODELS REQUIRE AC NEUTRAL CONDUCTOR FOR GROUNDING OF CONTROL CIRCUIT.
ALTERNATE VOLTAGES: FOR 230/460V, MULTIPLY kW AND RECOVERY BY .92. MULTIPLY AMPS BY .96.
 FOR 220/440V, MULTIPLY kW AND RECOVERY BY .84. MULTIPLY AMPS BY .92.

PVI RESERVES THE RIGHT TO CHANGE THE DESIGN AND SPECIFICATION WITHOUT NOTICE.



PVI INDUSTRIES, LLC
 FORT WORTH, TEXAS 76111
 (800) 784-8326 • www.pvi.com

Product is patented in the U.S., Canada, and Mexico.

