



XP3000V

HD Vandal Proof IP Dome Camera User's Manual

Version 3.5.0

Welcome

Thank you for purchasing our IP camera!

This user's manual is designed to be a reference tool for your system.

Please read the following safeguard and warnings carefully before you use this series product!

Please keep this user's manual well for future reference!

Important Safeguards and Warnings

1 . Electrical safety

All installation and operation here should conform to your local electrical safety codes.

The power shall conform to the requirement in the SELV (Safety Extra Low Voltage) and the Limited power source is rated 12V DC or 24V AC in the IEC60950-1.

We assume no liability or responsibility for all the fires or electrical shock caused by improper handling or installation.

We are not liable for any problems caused by unauthorized modification or attempted repair.

2 . Transportation security

Heavy stress, violent vibration or water splash are not allowed during transportation, storage and installation.

3 . Installation

Do not apply power to the camera before completing installation.

Please install the proper power cut-off device during the installation connection.

Always follow the instruction guide the manufacturer recommended.

4 . Qualified engineers needed

All the examination and repair work should be done by the qualified service engineers.

We are not liable for any problems caused by unauthorized modifications or attempted repair.

5 . Environment

This series IP camera should be installed in a cool, dry place away from direct sunlight, inflammable, explosive substances and etc.

Please keep it away from the electromagnetic radiation object and environment.

Please make sure the CCD (CMOS) component is out of the radiation of the laser beam device.

Otherwise it may result in CCD (CMOS) optical component damage.

Please keep the sound ventilation.

Do not allow the water and other liquid falling into the camera.

Thunder-proof device is recommended to be adopted to better prevent thunder.

The grounding holes of the product are recommended to be grounded to further enhance the reliability of the camera.

6. Daily Maintenance

Please shut down the device and then unplug the power cable before you begin daily maintenance work.

Do not touch the CCD (CMOS) optic component. You can use the blower to clean the dust on the lens surface.

Always use the dry soft cloth to clean the device. If there is too much dust, please use the water to dilute the mild detergent first and then use it to clean the device. Finally use the dry cloth to clean the device.

Please put the dustproof cap to protect the CCD (CMOS) component when you do not use the camera.

7. Accessories

Be sure to use all the accessories recommended by manufacturer.

Before installation, please open the package and check all the components are included.

Contact your local retailer ASAP if something is broken in your package.

Accessory Name	Amount
IPC Unit	1
Accessories bag	1
Quick Start Guide	1
CD	1

Table of Contents

1	General Introduction	1
1.1	Overview	1
1.2	Features	1
1.3	Specifications	2
1.3.1	Performance	2
1.3.2	Factory Default Setup	4
2	Structure	11
2.1	Multiple-function Combination Cable	11
2.2	Framework and Dimension	12
2.3	Bidirectional talk	13
2.3.1	Device Connection	13
2.3.2	Operation	13
2.4	Alarm Setup	13
3	Installation	15
3.1	Device Installation	15
3.2	SD Card Installation	18
3.3	Lens Adjustment	18
4	Quick Configuration Tool	20
4.1	Overview	20
4.2	Operation	20
5	Web Operation	23
5.1	Network Connection	23
5.2	Login and Main Interface	23

6 FAQ26

Appendix Toxic or Hazardous Materials or Elements27

1 General Introduction

1.1 Overview

This series IP camera integrates the traditional camera and network video technology. It adopts audio and video data collection, transmission together. It can connect to the network directly without any auxiliary device.

This series uses standard H.264 video compression technology and G.711a audio compression technology, which maximally guarantee the audio and video quality.

This series IPC enclosure has the strong resistance capacity, which can guarantee the proper work performance under heavy strike. It supports real-time monitor and listening at the same time. It supports analog video output and dual-way bidirectional talk.

It can be used alone or used in a network area. When it is used lonely, you can connect it to the network and then use a network client-end. Due to its multiple functions and various uses, this series is widely used in many environments such office, bank, road monitor and etc.

1.2 Features

User Management	<ul style="list-style-type: none">● Different user rights for each group, one user belongs to one group.● The user right shall not exceed the group right.
Storage Function	<ul style="list-style-type: none">● Support central server backup function in accordance with your configuration and setup in alarm or schedule setting● Support record via Web and the recorded file are storage in the client-end PC.● Support built-in SD card.● Support local SD card hot swap, support short-time storage when encounter disconnection.
Alarm Function	<ul style="list-style-type: none">● Real-time respond to external local alarm input and video detect as user pre-defined activation setup and exert corresponding message in screen and audio prompt(allow user to pre-record audio file)● Real-time video detect: motion detect, camera masking.● Can generate an alarm when network abnormal, SD card abnormal event occurred.
Network Monitor	<ul style="list-style-type: none">● Supports one-channel audio/video data transmit to network terminal and then decode. Delay is within 270ms (network bandwidth support needed)● Max supports 20 connections.● Adopt the following audio and video transmission protocol: HTTP, TCP, UDP, MULTICAST, RTP/RTCP, RTSP and etc.● Support web access, widely used in WAN.
Network Management	<ul style="list-style-type: none">● Realize configuration and management via Ethernet.● Support device management via web or client-end.● Support various network protocols.
Peripheral Equipment	<ul style="list-style-type: none">● Support the on-off alarm device to alarm via the sound or the light.
Power	<ul style="list-style-type: none">● External power adapter DC12V/AC 24V● Support PoE.
Assistant Function	<ul style="list-style-type: none">● Log function● Support PAL/NTSC● Support system resource information and running status real-time display.

	<ul style="list-style-type: none"> ● Day/Night mode auto switch (ICR switch). ● Built-in IR light. Support IR night vision (For HDBW Series only). ● Backlight compensation: screen auto split to realize backlight compensation to adjust the bright. ● Support electronic shutter and gain setup. ● Support video watermark function to avoid vicious video modification.
--	---

1.3 Specifications

1.3.1 Performance

Please refer to the following sheet for performance specification.

Model		XP3000V
Parameter		
System	Main Processor	TI Davinci high performance DSP
	OS	Embedded LINUX
	System Resources	Support real-time network, local record, and remote operation at the same time.
	User Interface	Remote operation interface such as WEB, DSS, PSS
	System Status	SD card status, bit stream statistics, log, and software version.
Video Parameter	Image Sensor	1/2.8-inch CMOS
	Pixel	2048 (H) *1536 (V)
	Day/Night Mode	Support day/night mode switch and IR-CUT at the same time.
	Auto Iris	DC drive
	Gain Control	Fixed/Auto
	White Balance	Manual/Auto
	BLC	Manual/Auto
	Electronic Shutter	Manual/Auto PAL: It ranges from 1/3 to 1/10000. NTSC: It ranges from 1/4 to 1/10000.
	Video Compression Standard	H.264/H.264B/MJPEG
	Video Frame Rate	PAL: Main stream (2048*1536@15fps) extra stream, (704*576@15fps) Main stream (1920*1080@25fps) extra stream (704*576@25fps) NTSC: Main stream (2048*1536@15fps) extra stream (704x480@15fps) Main stream (1920*1080@30fps) extra stream (704x480@30fps)
	Video Bit Rate	H.264: 56Kbps-8192Kbps. MJPEG is adjustable and bit rate is adjustable. Support customized setup.
	Video Flip	Support mirror. Support flip function.
	Snapshot	Max 1f/s snapshot. File extension name is JPEG.
Privacy Mask	Supports max 4 privacy mask zones	

	Video Setup	Support parameter setup such as bright, contrast.
	Video Information	Channel title, time title, motion detect, privacy mask.
	Lens	4.5~10mm@F1.4
	Lens Interface	CS. Lens is the default accessories
Audio	Audio Input	1-channel, RCA audio input.
	Audio Output	1-channel, RCA, audio output.
	Bidirectional Talk Input	Reuse the first audio input channel
	Audio Bit Rate	16kbps 16bit
	Audio Compression Standard	G.711A/G.711Mu/PCM
Video	Motion Detect	396 (18*22) detection zones; sensitivity level ranges from 1 to 6 (The 6 th level has the highest sensitivity) Activation event, alarm device, audio/video storage, image snapshot, log, email function and etc.
	Video Loss	Activation event, alarm device, audio/video storage, image snapshot, log, email function and etc.
Alarm Input		2-channel input, 1-channel output
Backup and Record	Record Priority	Manual>External alarm >Video detect>Schedule
	Local Storage	Support Micro SD card storage
Network	Wire Network	1-channel wire Ethernet port, 10/100 Base-T Ethernet
	Network Protocol	Standard HTTP, TCP/IP, IPv4/IPv6, ARP, IGMP, ICMP, RTSP, RTP, UDP, SMTP, FTP, DHCP, DNS, DDNS, PPPOE, UPNP, NTP, Bonjour, SNMP, NFS.
	Remote Operation	Monitor, system setup, file download, log information, maintenance , upgrade and etc
AUX Interface	Video Output	1-channel analog video output, BNC port, 9-pin port connection
	Reset	6-pin port connection
	IR light	35 LED, IR distance 10 to 20 meters (For HDBW series product only)
General Parameter	Power	Support AC24V/DC12V power. PoE
	Power Consumption	General series: below 7W. IR series: below 13W.
	Working Temperature	-10°C~+60°C
	Working Humidify	10%~90%
	Dimensions(m m)	ø160x118.5
	Weight	1.25g
	Installation	Support various installation modes (Enclosure and bracket is optional)

1.3.2 Factory Default Setup

Please refer to the following sheet for factory default setup information.

Function Setup Type		Item		Default setup		
				XP3000V		
Camera Setup	Conditions	Brightness		50		
		Contrast		50		
		Hue		50		
		Saturation		50		
		Exposure mode		Auto		
		Gain Scope		0~80		
		Auto Iris		ON		
		Profile		Auto		
		Day&Night		Auto		
		Backlight		Off		
		Mirror		Off		
		Flip		No flip		
	Video	Video stream bit	Main stream	Bit stream type	General	
				Encode mode	H.264B	
				Resolution	1080P (1920*1080)	
				Frame rate (FPS)	PAL: 25 NTSC:30	
				Bit stream type	CBR	
				Reference bit rate	3584-8192 Kb/S	
				Bit rate	8192	
				I frame interval	50	
Watermark settings				Enable		
Watermark character				DigitalCCTV		
Extra stream			Enable	Enable		
			Bit stream type	General		
			Encode mode	H.264B		
			Resolution	CIF(352x288/352x240)		
			Frame rate (FPS)	PAL: 25 NTSC:30		
			Bit rate type	CBR		

Function Setup Type		Item		Default setup			
				XP3000V			
				Reference bit rate	192-1024Kb/S		
				Bit rate	1024		
				I frame interval	50		
		Snapshot				Snap type	General snap
						Image size	1080P (1920*1080)
						Quality	Better
						Interval	7s
		Overlay				Privacy mask	Enable
						Channel title	Enable
						Time title	Enable
		Path				Snapshot path	C:\PictureDownload
						Record path	C:\RecordDownload
		Audio	Main stream			Enable	Enable
						Encode mode	G.711A
	Sub(Extra) stream					Enable	Disable
						Encode mode	G.711A
	Network setup	TCP/IP			Host name	IPC	
					Ethernet card	Wire(Default)	
					Mode	Static	
					MAC address	Depends on the device	
IP version					IPV4		
IP address					192.168.1.168		
Subnet mask					255.255.255.0		
Default gateway					192.168.1.1		
Preferred DNS					8.8.8.8		
Alternate DNS					8.8.8.8		
Enable ARP/Ping to set IP address					Enable		

Function Setup Type	Item		Default setup
			XP3000V
		service	
	Connection	Max connection	10
		TCP port	37777
		UDP port	37778
		HTTP port	80
		RTSP port	554
		HTTPs Enable	Disable
		HTTPs port	443
		PPPoE	Enable
	User name		N/A
	Password		N/A
	DDNS	Server type	Disable , CN99 DDNS
		Server IP	none
		Port	80
		Domain name	none
		User name	none
		Password	N/A
		Update period	10m
	IP filter	Trusted sites	Disable
	SMTP (email)	SMTP server	none
		Port	25
		Anonymity	Disable
		User name	anonymity
		Password	N/A
		Sender	none
		Authentication (Encrypt mode)	N/A
		Title (Subject)	IPC Message
		Attachment	Enable
		Main Receiver	N/A
		Interval	0s
		Health email	Disable , interval=60m

Function Setup Type	Item		Default setup	
			XP3000V	
	UPnP	Enable UPnP	Disable	
		SNMP	SNMP v1	Disable
	SNMP v2		Disable	
	SNMP port		161	
	Read community		public	
	Write community		private	
	Trap address		N/A	
	Trap port		162	
	Bonjour	Enable	Enable	
		Server name	"Device SN". Depends on the device.	
	Multicast	Multicast address	239.255.42.42	
		Port	36666	
	WIFI	On(Enable)	Enable	
	QoS	Real-time monitor	0	
		Wireless QoS Parameter	Disable	
		Command	0	
	Event management	Video detect	Motion detect	Enable
Anti-dither				5 seconds
Sensitivity				3
Record Channel				Enable
Record Delay				10 seconds
Relay (Alarm) output				Enable
Alarm delay				10s
Send email				Disable
Snapshot				Disable
Video (Camera) masking				Enable
		Record Channel	Enable	
		Record Delay	10 seconds	
		Relay out	Enable	

Function Setup Type	Item			Default setup
				XP3000V
			Record Delay	10 seconds
			Send email	Disable
			Snapshot	Disable
	Alarm setup	Relay (Alarm) activation	Enable	Disable
			Relay input	Alarm1
			Anti-dither	0s
			Sensor type	NO
			Record channel	Enable
			Record delay	10s
			Relay (Alarm) output	Enable
			Relay (Alarm) delay	10s
			Send email	Disable
			Snapshot	Disable
				Relay output (Alarm)
	Abnormity	No SD card	Enable	Disable
			Relay (Alarm) output	Enable
			Relay output delay	10s
			Send email	Disable
		Capacity warning	Enable	Disable
			Capacity limit (Space threshold)	10%
			Relay (Alarm) output	Enable
			Relay output delay	10s
			Send email	Disable
SD card error		Enable	Disable	
		Relay (Alarm) output	Enable	

Function Setup Type	Item			Default setup		
				XP3000V		
			Relay output delay	10s		
			Send email	Disable		
			Disconnection	Enable	Disable	
		Record		Enable		
		Record delay		10s		
		Relay (Alarm) output		Enable		
		Relay output delay		10s		
		IP conflict		Enable	Disable	
			Record	Enable		
			Record delay	10s		
			Relay (Alarm) output	Enable		
			Relay output delay	10s		
		Storage management	Destination(Storage)	FTP	FTP enable	Disable
					Server IP	N/A
					Port	21
User name	anonymous					
Password	N/A					
Remote storage path	share					
Emergency storage to local path	Disable					
Conditions control)	(Record		Pack duration	8m		
			Pre-record	5s		
			Disk full	Overwrite		
		Record mode	Auto			
		Record Stream	Main Stream			
System management	General setup	Device	Device SN. Depends on the device.			

Function Setup Type	Item		Default setup	
			XP3000V	
			name	
			Language	English
			Video standard	NTSC
		Date and time	Date format	Y-M-D
			Time format	24H
			Time zone	GMT+08:00
			Current time	Sync PC
			DST	Disable
			DTS type	Week
			Start time	00:00:00 of the first Sunday of the month
			End time	00:00:00 of the second Monday of the month
			Synchronize with NTP	Disable
			NTP server	clock.isc.org
	Port	37		
	Update period	10m		
	Auto maintenance	Auto reboot	Enable 02:00 each day	
		Auto delete old files	Disable	

2 Structure

2.1 Multiple-function Combination Cable

You can refer to the following figure for multiple-function combination cable information. See Figure 2-1.

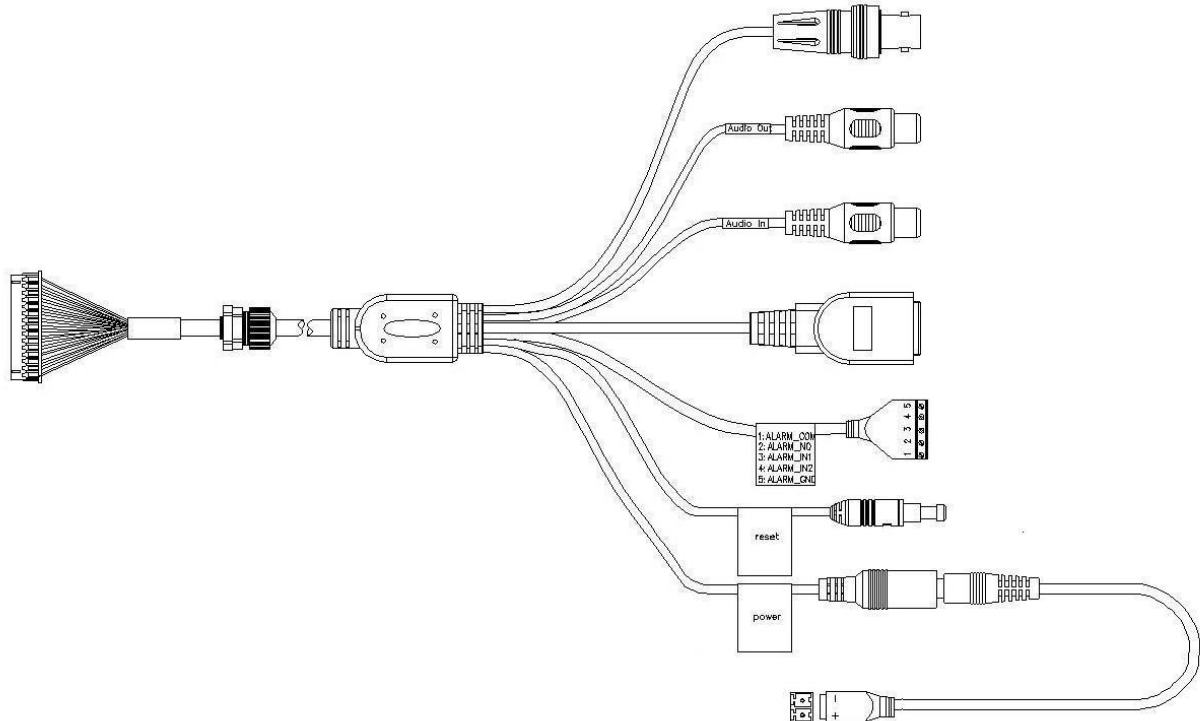


Figure 2-1

Please refer to the following sheet for detailed information.

Port Name	Function	Connection	Note
VIDEO OUT	Video output port	BNC	Output analog video signal. It can connect to the TV monitor to view the video.
AUDIO IN	Audio input port	RCA	Input audio signal. It can receive the analog audio signal from the pickup.
AUDIO OUT	Audio output port	RCA	Output audio signal to the devices such as the sound box.
LAN	Network port	Ethernet port	<ul style="list-style-type: none"> ● Connect to standard Ethernet cable. ● Support PoE.
I/O	I/O port	/	Includes alarm input and output.
RESET	Reset button	/	The reset button is to restore device factory default setup.
POWER	Power input port	/	Power port. Input DC 12V or AC 24V power. Please connect the DC5.5 round port to 2-pin converter cable when you are using AC 24V power.

Please refer to the follow sheet for detailed pin information.

Port Name	SN	Name	Note
I/O Port	1	ALARM_COM	Alarm output public port.
	2	ALARM_NO	Alarm output port. It is to output the alarm signal to the alarm device. NO: normal open alarm output port.
	3	ALARM_IN1	Alarm input port 1. It is to receive the on-off signal from the external alarm source.
	4	ALARM_IN2	Alarm input port 2. It is to receive the on-off signal from the external alarm source.
	5	GND	Ground port

2.2 Framework and Dimension

Please refer to the following two figures for dimension information. The unit is mm. See Figure 2-2 and Figure 2-3.

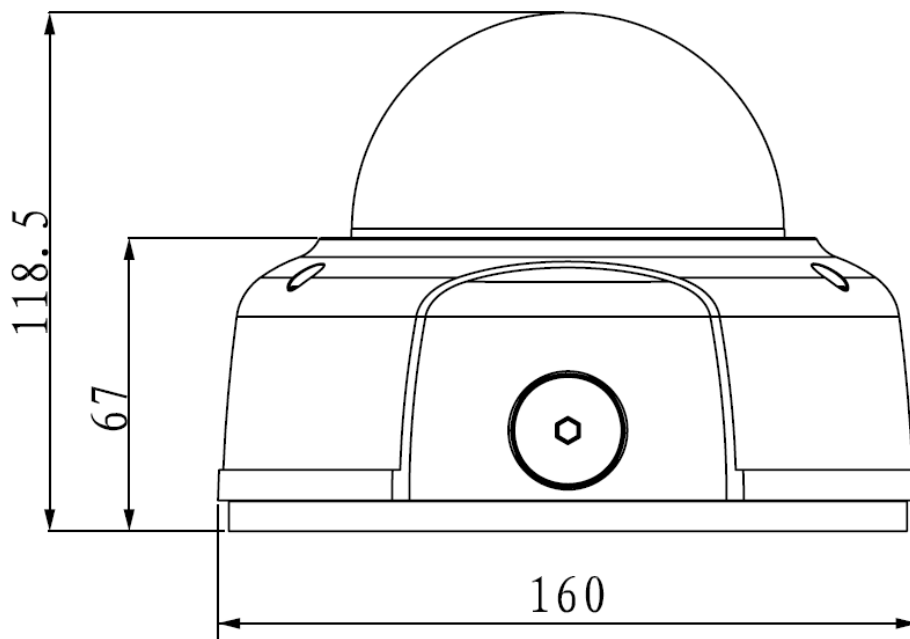


Figure 2-2

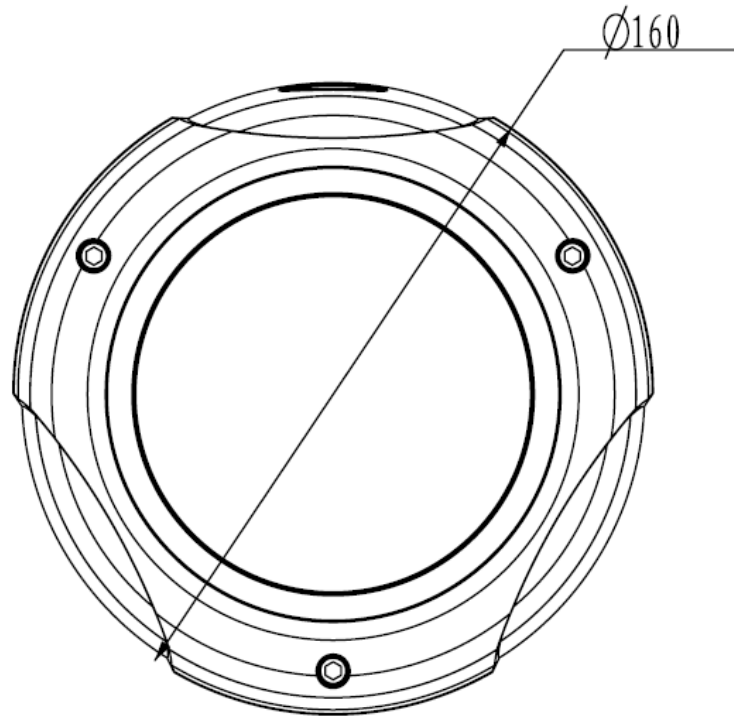


Figure 2-3

2.3 Bidirectional talk

2.3.1 Device Connection

Before the operation, connect the active pickup to the audio input port of the device. Connect the active speaker to the audio output port of the device. Please make sure the client-end device has the audio input and output function. For example, you need to connect the microphone and then earphone to the PC if you want to implement the bidirectional talk function.

2.3.2 Operation

Login the Web and click the bidirectional talk button to enable this function. Click this button again; you can close current bidirectional talk.

2.4 Alarm Setup

The alarm interface is shown as in Figure 2-4. Please follow the steps listed below for local alarm input and output connection.

- 1) Connect the alarm input device to the alarm input port (No.3 pin or No.4 pin) of the I/O cable.
- 2) Connect the alarm output device to the alarm output port (No.2 pin) and alarm output public port (No.1 pin). The alarm output port supports NO (normal open) alarm device only.
- 3) Open the Web, go to the Figure 2-4. Please set the alarm input 01 port for the first channel of the I/O cable (No.3 pin). The alarm input 02 is for the 2nd channel of I/O cable (No.4 pin). Then you can select the corresponding type (NO/NC.)
- 4) Set the WEB alarm output. The alarm output 01 is for the alarm output port of the device. It is the No.2 pin of the I/O cable.



Figure 2-4

3 Installation

This series IPC can be put on the table to realize surveillance. Or you can use the bracket or the in-ceiling installation to realize the hang function. Please refer to the steps listed below.

3.1 Device Installation

Step 1

Use the inner hexagonal wrench (provided) to loose the three inner hexagon screws in the dome cover and then open the cover. The device is shown as in Figure 3-1

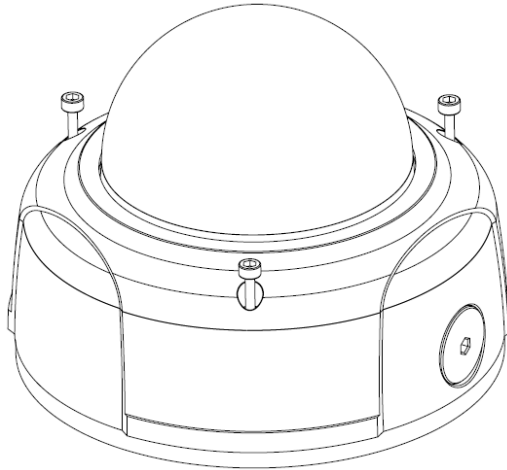


Figure 3-1

Step 2

Use the inner hexagonal wrench (provided) to loose the three inner hexagon screws in the dome and then remove the device pedestal. See Figure 3-2 .

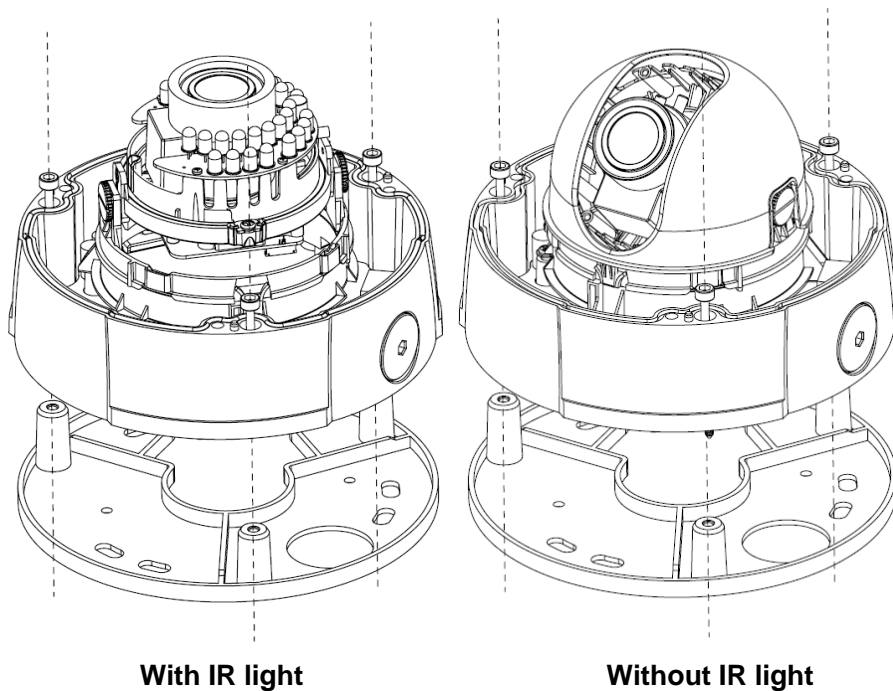


Figure 3-2

Step 3

Draw out the cable exit and four screw holes in the installation position according to the device pedestal. Dig the four plastic expansion bolt holes and cable exit. Insert the four plastic expansion bolts into the screw holes

Step 4

Adjust the camera pedestal to the proper position and then draw the cable through the cable exit you just dug in the ceiling (wall). Line up the four screw holes in the device pedestal to the four plastic expansion bolt holes in the installation position. Put the four self-tapping screws in the device pedestal and then use the screwdriver to secure the screws in the four plastic expansion bolts firmly.

Step 5

Adjust the device position and line up the three inner hexagon screws of the device to the three holes of the installation position. Put the three inner hexagon screws into the screw holes at the bottom of the pedestal. Use the inner hexagon screwdriver to fix firmly. Connect the GND to the ground wires to improve stability. See Figure 3-3 .

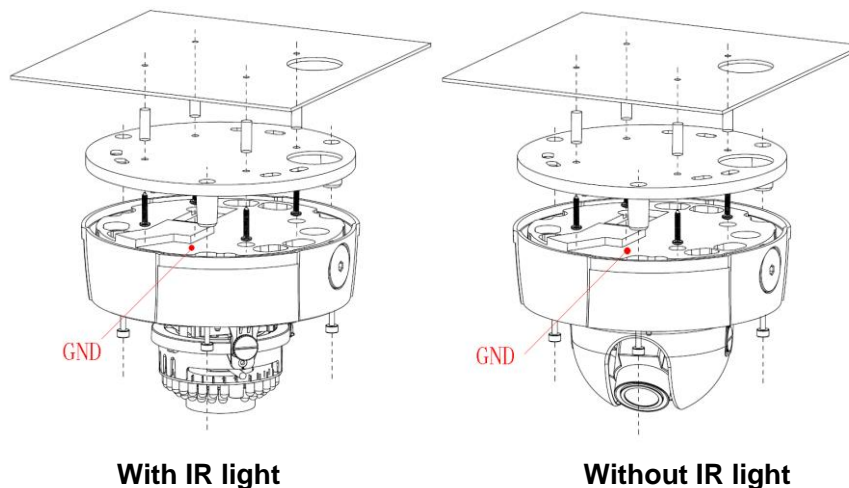


Figure 3-3

Step 6

Adjust the X-Y-Z axis module to turn the device to the proper monitor angle. Please follow the steps listed below to adjust. See Figure 3-4.

Please note, for the dome of the IR light, you can skip step a) and step e).

- a): Slightly push the two sides to squeeze the plastic hook so that you can take off the dome enclosure.
- b): Slightly loose the screws at the two sides of the X-Y-Z module manually, you can adjust the module tilt rotation angle ($15^{\circ} \sim 90^{\circ}$).
- c): Slightly loose the screw of the pressing slice, you can adjust the video rotation angle of the module ($0^{\circ} \sim 355^{\circ}$)
- d): Adjust the turning ring of the pedestal, you can adjust the module pan rotation angle ($0^{\circ} \sim 355^{\circ}$).

- e): Put the enclose back after you completed the setup.

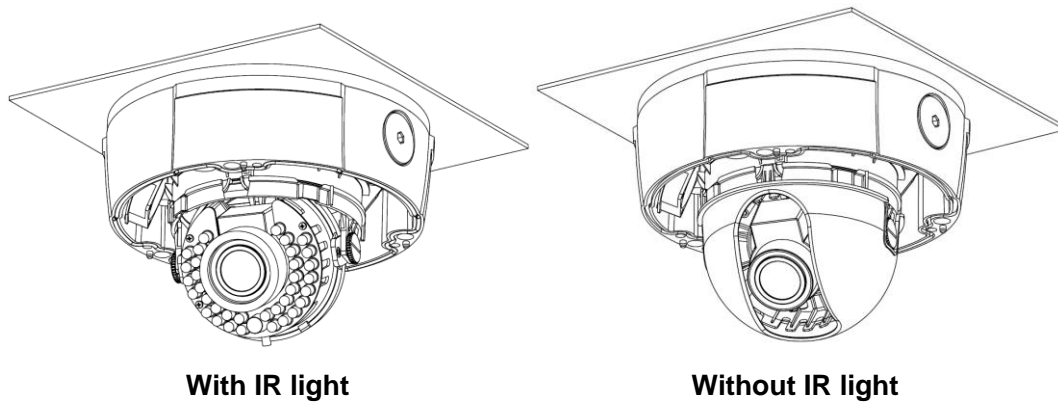


Figure 3-4

Please note, the screws in the following figure are the optical adjustment component. Please make sure it is outward and do not allow it to touch the X-Y-Z axis module. See Figure 3-5

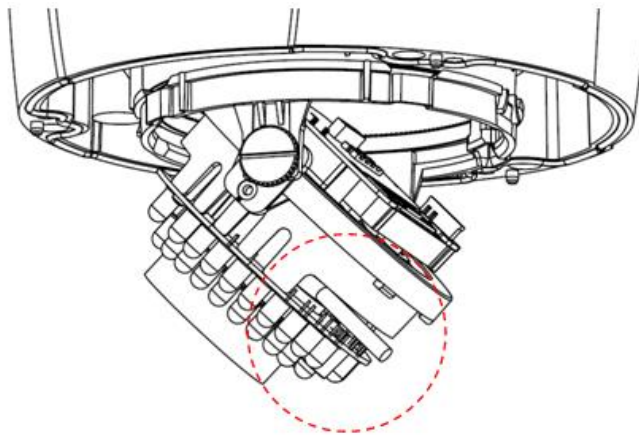


Figure 3-5

Step 7

Put the dome cover back and then put the three inner hexagon screws into the holes of the device. Use the inner hexagonal wrench to fasten these three screws. See Figure 3-6

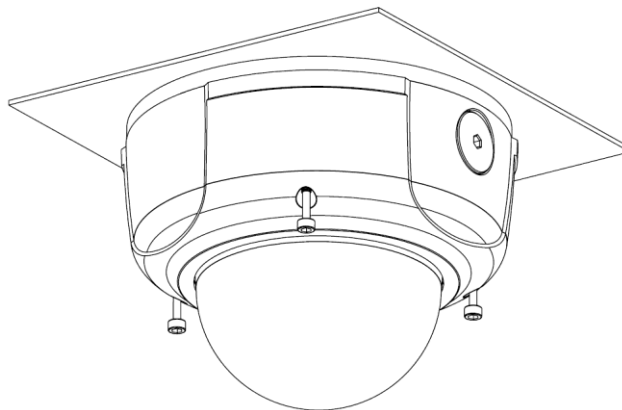


Figure 3-6

3.2 SD Card Installation

Important

Before you install the SD card, please unplug the power cable to shut down the device!

First, please refer to the step 1 in the chapter 3.1 to open the device.

Second, please adjust the proper position to install the SD card.

Last, please refer to the step 7 in the chapter 3.1 to complete the installation. See Figure 3-7.

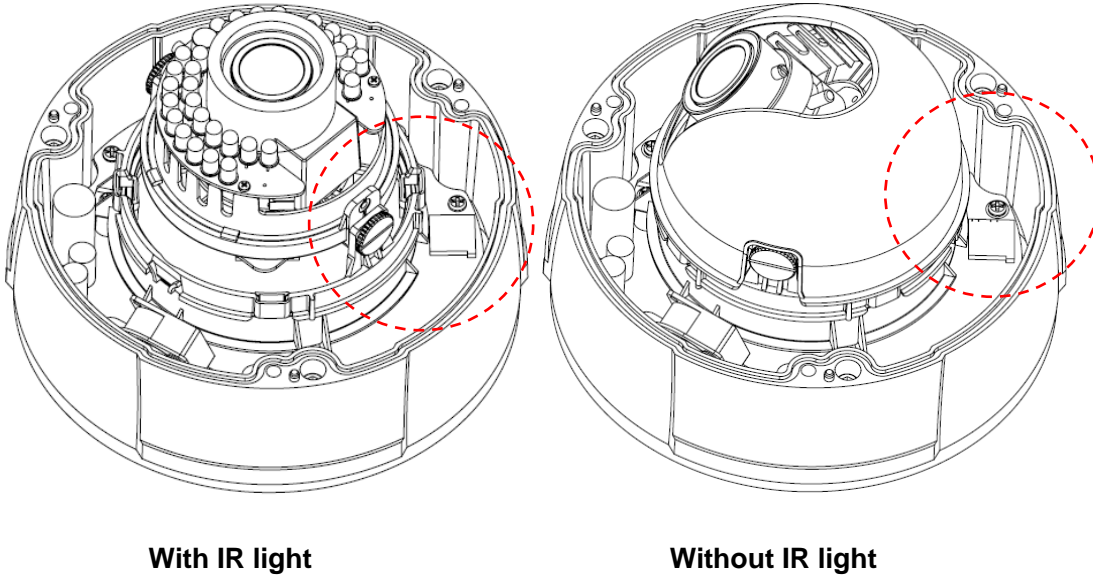


Figure 3-7

3.3 Lens Adjustment

Step 1

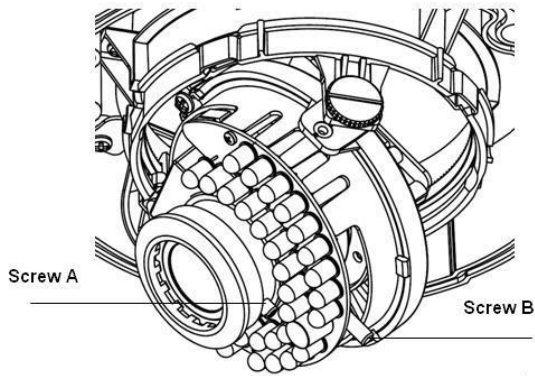
Slightly loose the screw B manually and then turn the screw B slowly. Adjust the lens focus distance to the proper position according to the monitor video. See Figure 3-8.

Step 2

Use the flat screwdriver to loose the screw A slightly and then turn the Screw A slowly. Adjust the lens focus to get the clear video and then use the flat screwdriver to secure the screw firmly.

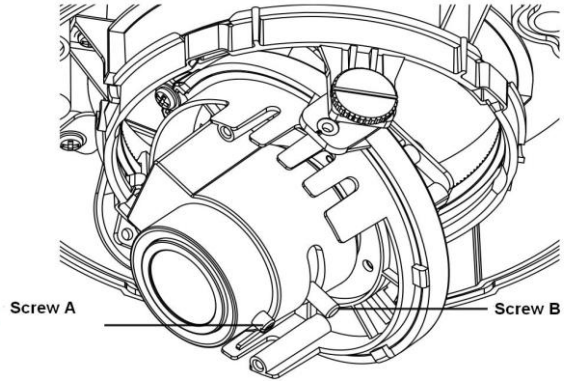
Step 3

When you are adjusting the screw A, the video may becomes blur. Please slightly adjust the screw B manually to get the vivid video. Finally fix the screw.



Screw A: Lens focus. Screw B: Lens zoom.

With IR light



Without IR light

Figure 3-8

4 Quick Configuration Tool

4.1 Overview

Quick configuration tool can search current IP address, modify IP address. At the same time, you can use it to upgrade the device.

Please note the tool only applies to the IP addresses in the same segment.

4.2 Operation

Double click the “ConfigTools.exe” icon, you can see an interface is shown as in Figure 4-1.

In the device list interface, you can view device IP address, port number, subnet mask, default gateway, MAC address and etc.

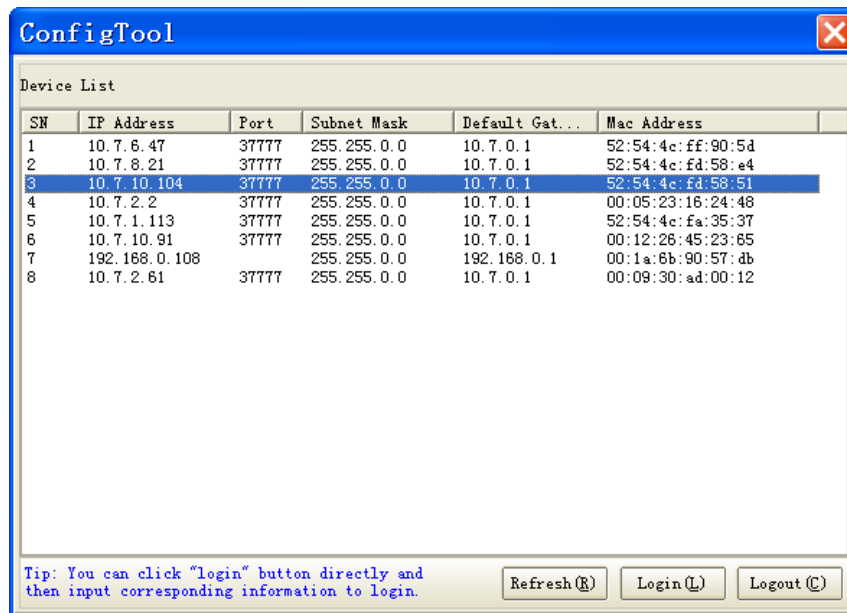


Figure 4-1

Select one IP address and then right click mouse, you can see an interface is shown as in Figure 4-2.

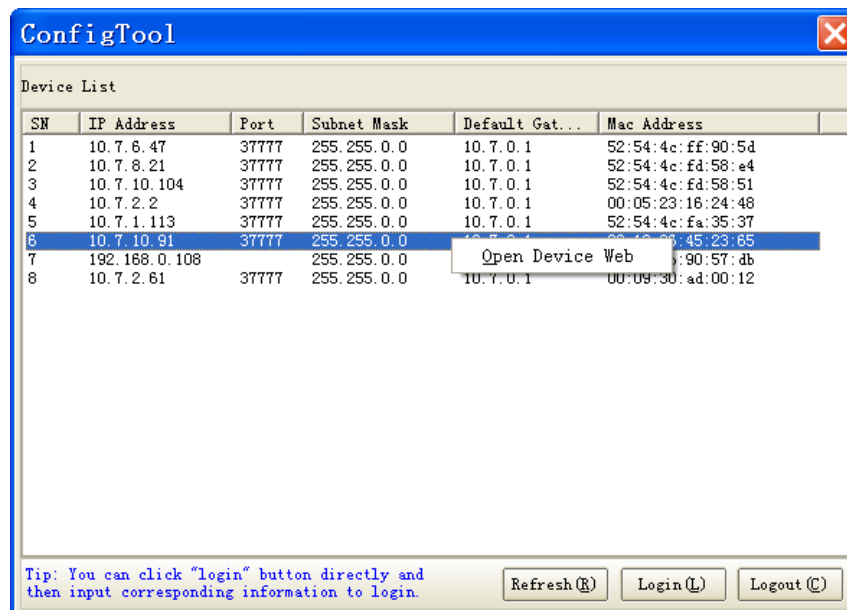


Figure 4-2

Select the “Open Device Web” item; you can go to the corresponding web login interface. See Figure 4-3.

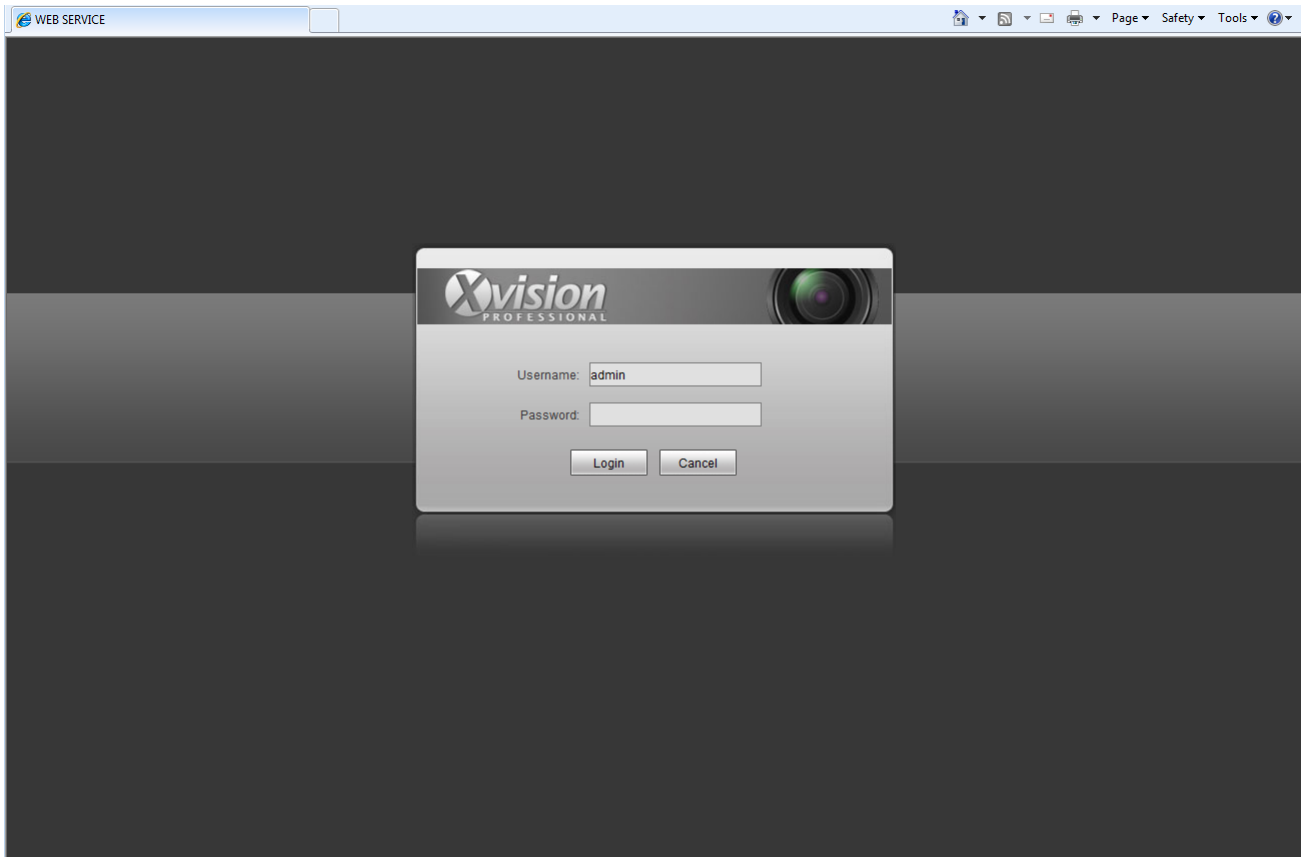


Figure 4-3

If you want to modify the device IP address without logging in the device web interface, you can go to the configuration tool main interface to set.

In the configuration tool search interface (Figure 4-1), please select a device IP address and then double click it to open the login interface. Or you can select an IP address and then click the Login button to go to the login interface. See Figure 4-4.

In Figure 4-4, you can view device IP address, user name, password and port. Please modify the corresponding information to login.

Please note the port information here shall be identical with the port value you set in TCP port in Web Network interface. Otherwise, you can not login the device.

If you are use device background upgrade port 3800 to login, other setups are all invalid.

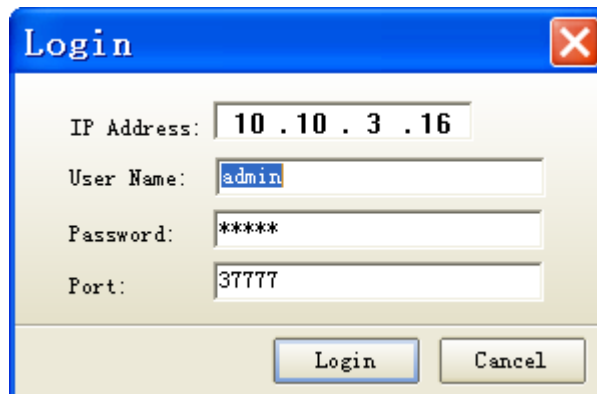


Figure 4-4

After you logged in, the configuration tool main interface is shown as below. See Figure 4-5.

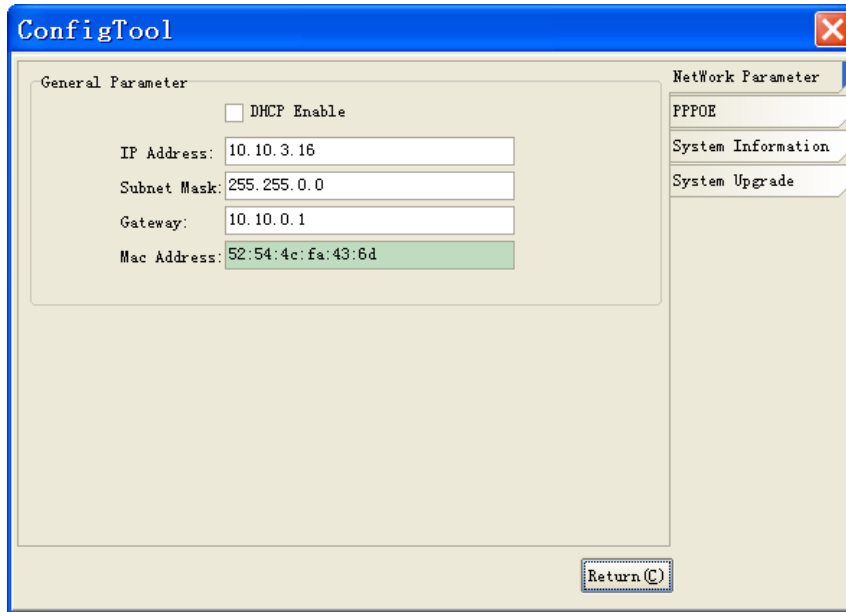


Figure 4-5

5 Web Operation

This series IPC product support the Web access and management via PC.

Web includes several modules includes monitor channel preview, PTZ control, system configuration, alarm and etc.

IP camera factory default setup:

- IP address: 192.168.1.108.
- User name: admin
- Password: admin

5.1 Network Connection

Please follow the steps listed below for network connection.

- Make sure the IPC has connected to the network properly.
- Please set the IP address, subnet mask and gateway of the PC and the IPC respectively. IPC default IP address is 192.168.1.108. Subnet mask is 255.255.255.0. Gateway is 192.168.1.1
- Use order ping `***.***.***.***`(* IP camera address) to check connection is OK or not.

5.2 Login and Main Interface

Open IE and input IP camera address in the address bar.

For example, if your camera IP is 192.168.1.108, then please input `http:// 192.168.1.108` in IE address bar. See Figure 5-1.

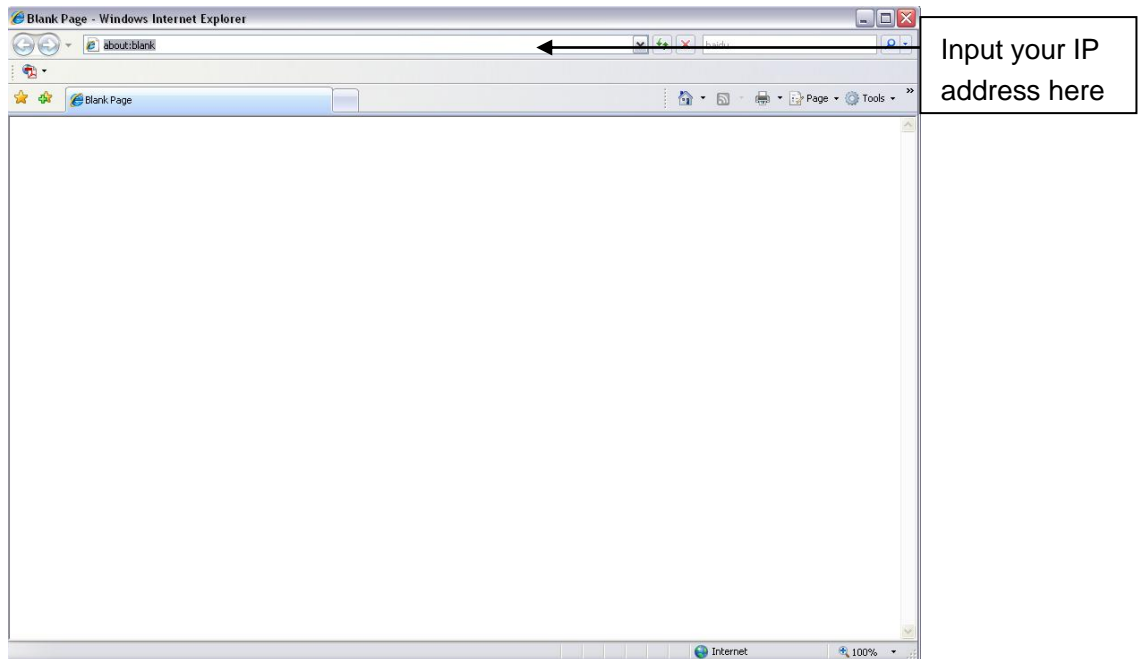


Figure 5-1

The login interface is shown as below. See Figure 5-2.

Please input your user name and password.

Default factory name is admin and password is admin.

Note: For security reasons, please modify your password after you first login.

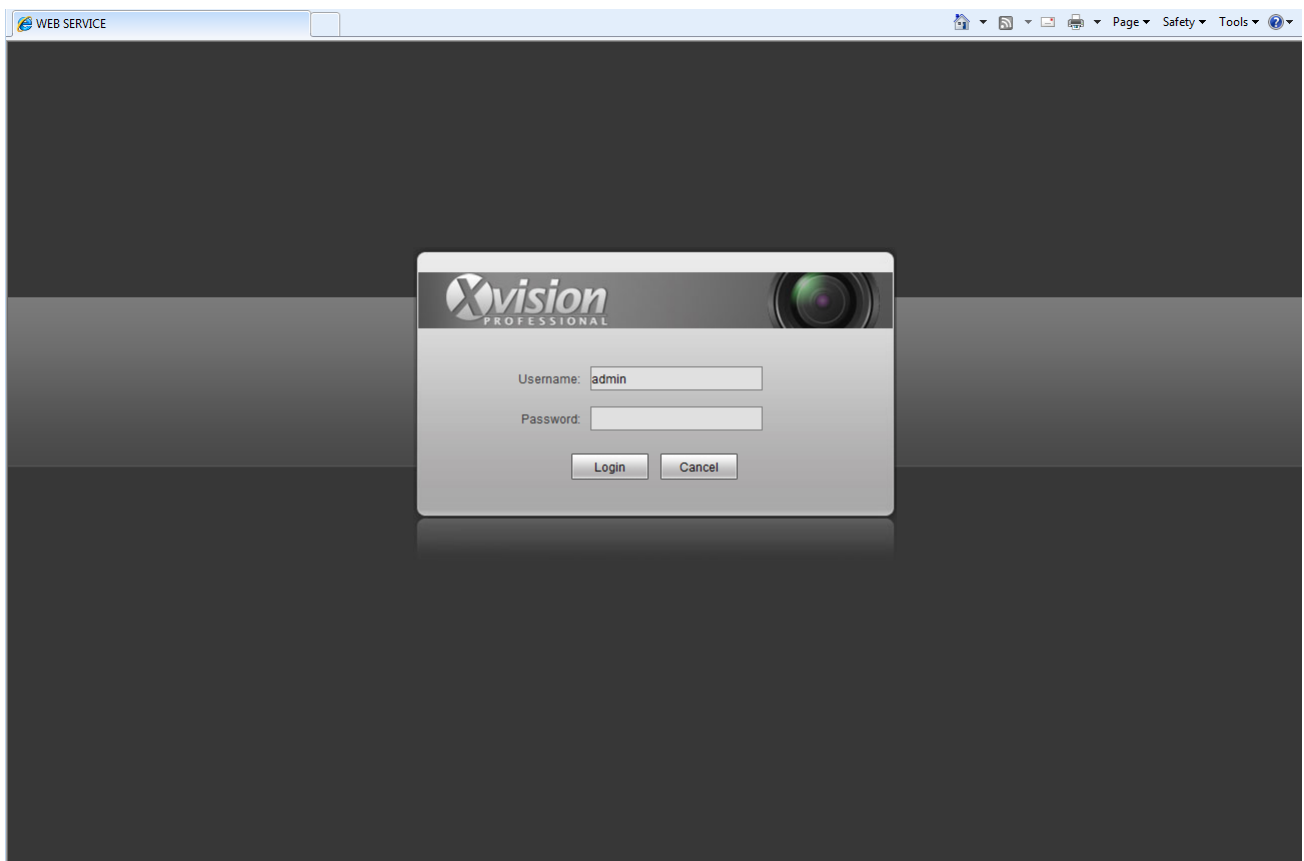


Figure 5-2

If it is your first time to login in, system pops up warning information to ask you whether install control webrec.cab or not after you logged in for one minute. Please click OK button, system can automatically install the control. When system is upgrading, it can overwrite the previous Web too.

If you can't download the ActiveX file, please check whether you have installed the plug-in to disable the control download. Or you can lower the IE security level. See Figure 5-3.

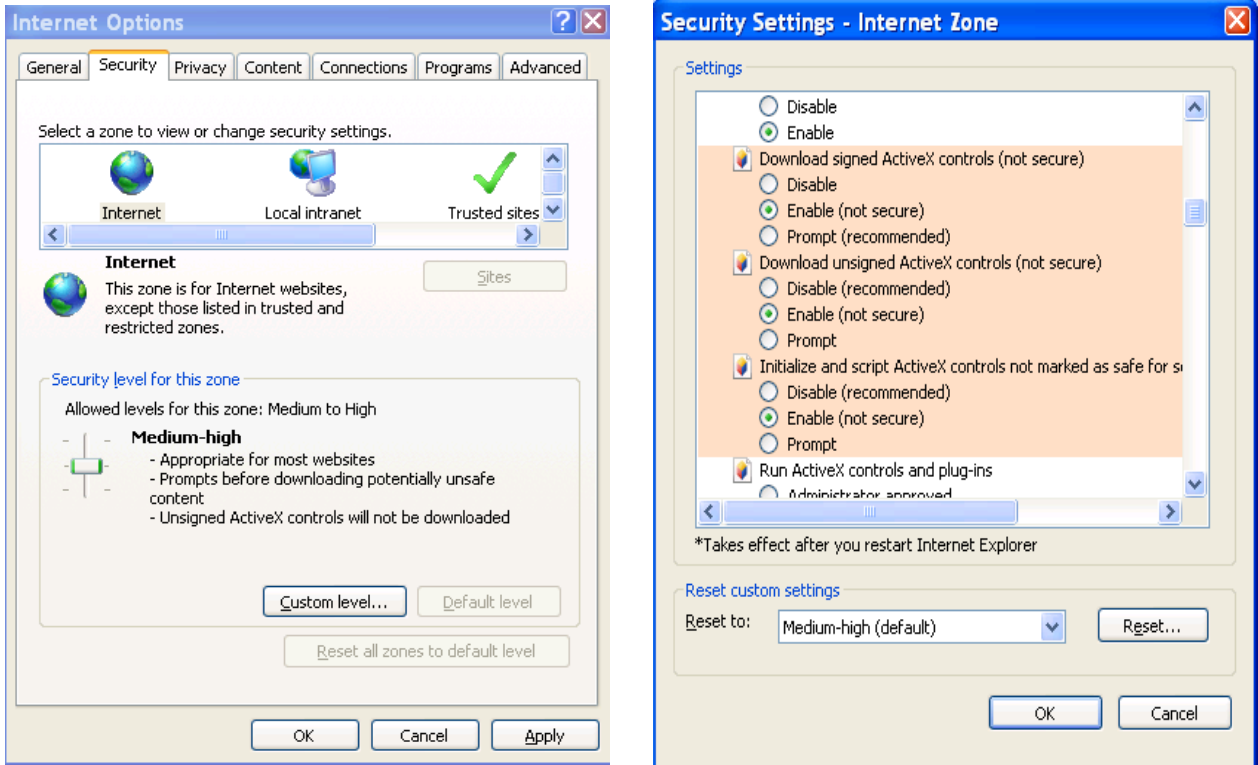


Figure 5-3

After you logged in, you can see the main window. See Figure 5-4.

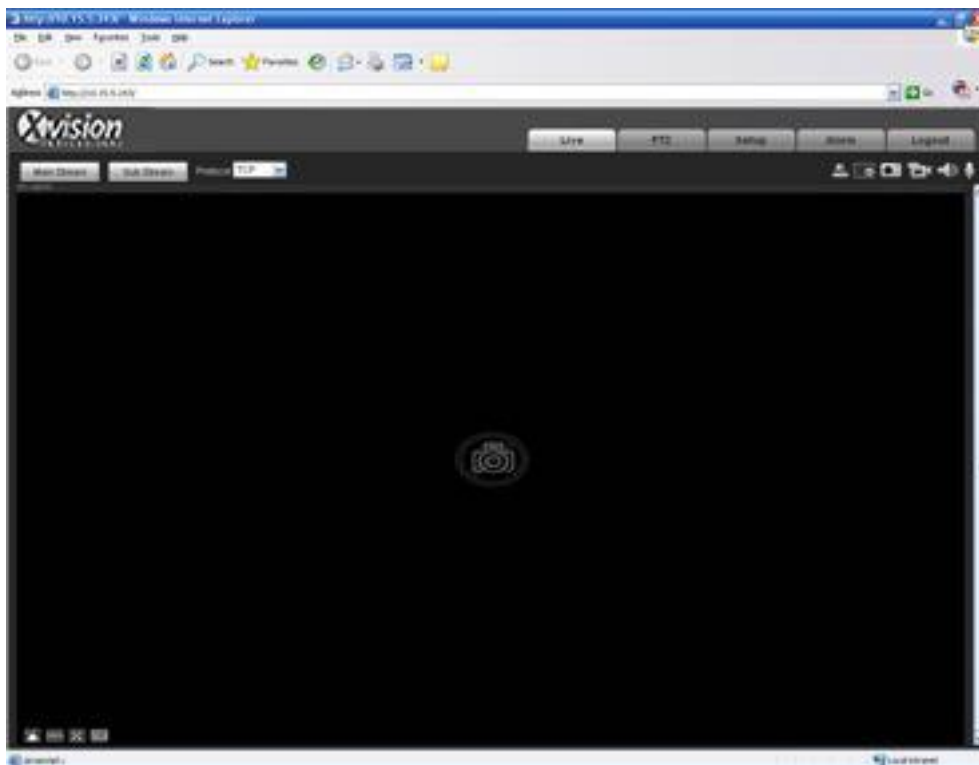


Figure 5-4

Please refer to the Web Operation Manual included in the resource CD for detailed operation instruction.

6 FAQ

Bug	
I can not boot up the device.	Please click RESET button for at least five seconds to restore factory default setup.
SD card write times	Do not set the SD card as the storage media to storage the schedule record file. It may damage the SD card duration.
I can not use the disk as the storage media.	When disk information is shown as hibernation or capacity is 0, please format it first (Via Web).
I can not upgrade the device via network.	When network upgrade operation failed, you can use port 3800 to continue upgrade.
Recommended SD card brand	Kingston 4GB, Kingston 1GB, Kingston 16GB, Transcend 16GB, SanDisk 1G, SanDisk 4G. Usually we recommend the 4GB (or higher) or industry-level high speed card in case the slow speed results in data loss.
Audio function	Please use active device for the audio monitor input, otherwise there is no audio in the client-end.
The lightproof ring of the IR device	The lightproof ring of the IR device lens is the necessary component when it works. You can not view the clear video when the IR light is on if you remove the lightproof ring.

Appendix Toxic or Hazardous Materials or Elements

Component Name	Toxic or Hazardous Materials or Elements					
	Pb	Hg	Cd	Cr VI	PBB	PBDE
Circuit Board Component	○	○	○	○	○	○
Device Construction Material	○	○	○	○	○	○
Wire and Cable	○	○	○	○	○	○
Packing Components	○	○	○	○	○	○
Accessories	○	○	○	○	○	○

O: Indicates that the concentration of the hazardous substance in all homogeneous materials in the parts is below the relevant threshold of the SJ/T11363-2006 standard.

X: Indicates that the concentration of the hazardous substance of at least one of all homogeneous materials in the parts is above the relevant threshold of the SJ/T11363-2006 standard. During the environmental-friendly use period (EFUP) period, the toxic or hazardous substance or elements contained in products will not leak or mutate so that the use of these (substances or elements) will not result in any severe environmental pollution, any bodily injury or damage to any assets. The consumer is not authorized to process such kind of substances or elements, please return to the corresponding local authorities to process according to your local government statutes.

Note

- This user's manual is for reference only. Slight difference may be found in user interface.
- All the designs and software here are subject to change without prior written notice.
- If there is any uncertainty or controversy, please refer to the final explanation of us.
- Please visit our website for more information.