

Important

The owner's manual describes three models that differ only slightly from another.

Model A: Sweeping width 42 inch (106 cm)

B model: Sweeping width 38 inch (96 cm)

C Model: Sweeping width 30 in (76 cm)

The differences will be pointed out at the places concerned.

Important for Customer Service

Copy all the details from the type plate into the panel below. These are important for the identification of the sweeper and for ordering spare parts.

Safety

Proper use

This sweeper may only be used

- for sweeping cut grass and leaves on lawns
- in accordance with the descriptions and safety instructions contained in this User's Manual.

Every other use will not be regarded as proper use.

Never allow persons to ride on the sweeper.

General safety instructions

As the user of the sweeper, read through this User's Manual carefully before using the sweeper for the first time. Act accordingly and keep it in a safe place for future reference.

Improper use of the towing vehicle may cause injuries or material damage.

Read the Owner's Manual for the towing vehicle and make sure that

- that you have understood it and
- that you are completely in control of the towing vehicle on slopes with the sweeper attached.

Never allow children to handle the sweeper.

Wear safety footwear when working with the sweeper.

Unpacking/assembly

Check the scope of supply when unpacking.

If parts are missing or damaged, contact the salesperson.

Have the necessary tools at hand. This speeds up assembly.

Assemble the sweeper as shown in the illustrations at the end of these instructions. Symbols are used in these illustrations; their meanings are as follows:



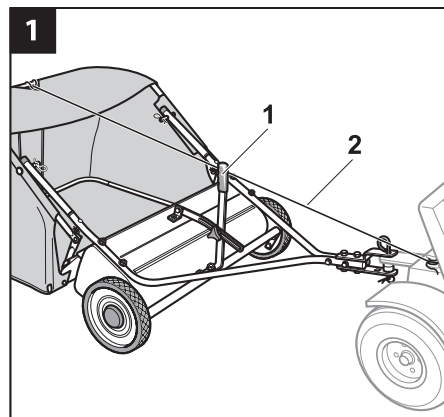
Do not tighten yet.



Tighten now.

Function

(Fig. 1)



When the sweeper moves forward, two pairs of brushes rotate and sweep grass and leaves into the grass bag.

The depth of penetration of the brushes can be set using the control lever (1). To empty the grass bag, pull the rope (2) while the sweeper is stationary.

Operation



Risk of injury

The rope (Fig.1, No. 2) may wrap around the brushes or other rotating parts and injure you.

Never attach the rope to your body, but only to the towing vehicle. Do not touch it while the vehicle is in motion.



Risk of overturning

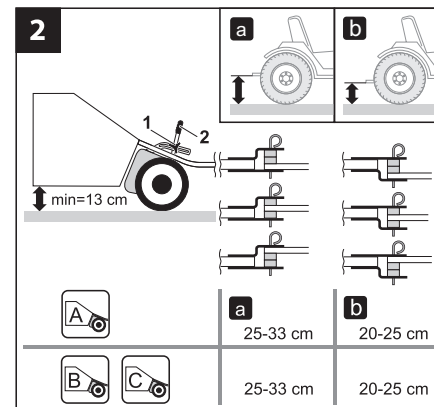
The driving and braking characteristics depend on the towed load.

Check the loading capacity of the towing vehicle and only sweep appropriate amounts of grass and leaves into the grass bag.

Do not work on steep slopes.

Attaching the sweeper to a towing vehicle

(Fig. 2)



GB

Park the sweeper and the towing vehicle on horizontal and level ground.

Loosen the knurled nut (1), place the adjustment handle in the middle and tighten the knurled nut.

Attach the sweeper so that the grass bag is as parallel to the ground as possible and that the underside clears the ground by a minimum of 13 cm.

Setting the brush height

Tip: Best results are achieved if the brushes penetrate the grass to a depth of 1.5 cm.

Loosen the knurled nut (Fig. 2, No. 2), place the brush in the setting you require by means of the adjustment handle and tighten the knurled nut.

Driving



Caution

On starting off, make sure that the sweeper retains its balance and does not overturn.

Do not exceed the maximum speed (10 km/h).

There is a risk of the sweeper overturning when you are working on slopes.

Do not work on slopes having an incline of more than 10°.

Drive slowly and carefully, especially when turning.

Drive slowly on uneven ground (danger of overturning).

If the foreign matter (such as a stone) is struck, switch off the engine of the towing vehicle immediately. Check the sweeper and towing vehicle for damage and visit a specialist workshop, as necessary.

Open fire or severe heat can damage or even ignite the brushes and grass bag. Keep the sweeper away from fire.

Wear safety footwear.

GB

Emptying the grass bag

Stop the towing vehicle and switch off the engine.

Tip the grass bag from the towing vehicle by pulling the rope (Fig. 1, No. 2).

Tips on using the sweeper

A good result is achieved by sweeping at a speed of approximately 5 km/h.

Experiment to determine the driving speed at which best results are achieved.

Mow the lawn uniformly before sweeping the lawn.

Care and maintenance

Every time you use the sweeper

Check all screw connections for loose fitting and tighten as necessary.

Inspect sweeper parts such as brushes for damage (refer to "Maintenance"). Visit a specialist workshop as necessary.

When you have finished working

Empty the grass bag and clean with a brush or broom.

Clean the housing of the sweeper with a soft brush.

String or the like may wrap itself around the brushes or brush axle while you are working. Remove it carefully.

Once during the season

Lubricate the wheel bearings (refer to "Maintenance").

At beginning and end of season

Lubricate the brush axle (refer to "Maintenance").

Every two years

Clean and grease driving parts (refer to "Maintenance")

Storage

⚠ Caution

Grass and leaves in the grass bag can develop a great deal of heat over a long period of time and ignite. Empty the grass bag before storing the sweeper.

Clean the sweeper thoroughly so that fungus and rust do not form.

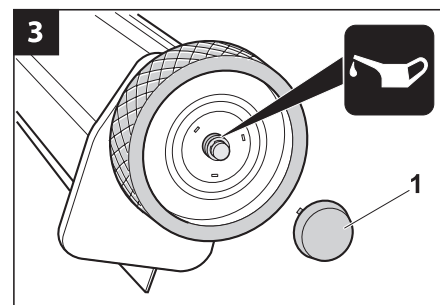
Store the sweeper in a dry room.

If necessary (such as when space is cramped), the grass bag can be folded together. To do this, remove the two braces inside the grass bag.

Maintenance

Lubricate wheel bearings

(Fig. 3)

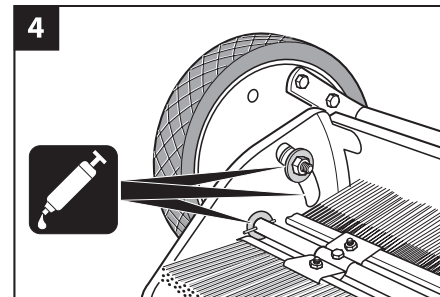


Remove the wheel cap (1) with a screwdriver.

Lubricate wheel bearings with a few drops of light oil.

Lubricate the brush axle

(Fig. 4)

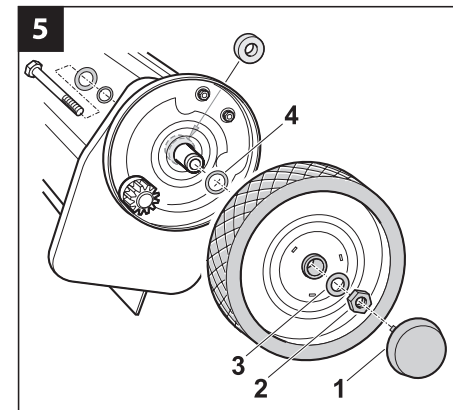


Lubricate the brush axle with a few drops of light oil.

Greasing driving parts

Detach wheel:

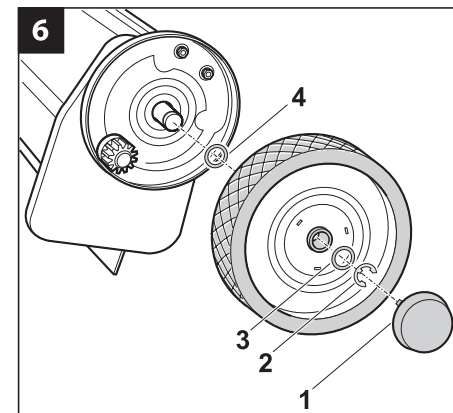
Models A and B (Fig. 5)



Remove the wheel cap (1) with a screwdriver.

Remove locking nut (2) and washer (3): Remove wheel. There is one washer (4) behind the wheel.

Model C (Fig. 6)

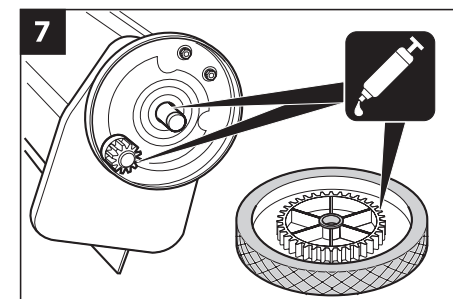


Remove the wheel cap (1) with a screwdriver.

Remove retaining washer (2) and plain washer (3).

Remove wheel. There is one washer (4) behind the wheel.

(Fig. 7)



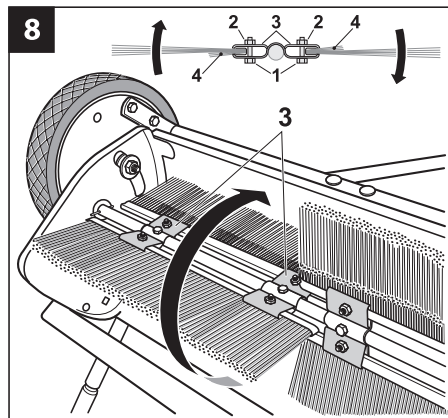
Clean wheel housing and driving parts (remove old grease):

Grease wheel housing and driving parts uniformly with new, light grease.

Attach wheel in reverse order to "Detach wheel".

Replacing brushes

(Fig. 8)



Contact your salesperson to order replacement brushes.

Note: Replace brushes separately.

Remove all bolts and splints attaching the grass bag to the sweeper and remove the grass bag.

Remove the hexagon screws (1) and retaining nut (2) from the holders (3) of one brush.

Mark the side of the brush overlap (4).

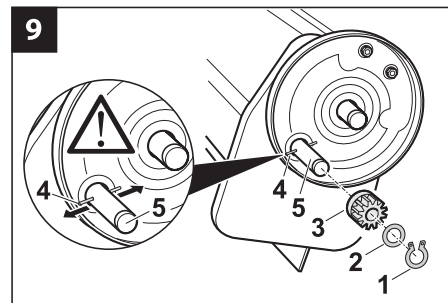
Remove the brush from the holders and replace with new ones (brush overlap on same side as before).

Tighten the hexagon screws and retaining nut.

Attach the grass bag.

Maintaining the gear unit

(Fig. 9)



Note: Remove only one wheel at a time so that left and right parts cannot be confused. Mark the parts.

Remove wheel (refer to "Greasing driving parts").

Remove retaining washer (1) and plain washer (2).

Carefully pull out the gear unit (3). Make sure the drive pin (4) is not lost while doing so.

Check whether the drive pin slides lightly backwards and forwards. If necessary, clean and lubricate the drive pin and its surroundings.

Clean and apply fresh grease to the gear unit (3) and gear shaft (5).

Put on gear unit (3), washer (2) and retaining ring (1).

Clean and grease driving parts (refer to "Greasing driving parts").

Replace wheel (refer to "Greasing driving parts").

Make a check: The wheel can be rotated in either direction; the brushes should only be driven when the wheel is rotated forwards. If the check fails, visit a specialist workshop.

If necessary, perform the steps for the other wheel.

Troubleshooting

If the wheels brake during sweeping, you can sometimes remedy the cause yourself. If in doubt, visit a specialist workshop.

Possible causes

Brushes penetrate the grass too deeply: Set the sweeper so that the brushes do not penetrate the grass by more than 1.5.

Brushes clog: Bring the sweeper to a halt and remove material clogging the brushes.

Wheels block: Determine cause, refer to "Maintaining gear unit"; or visit specialist workshop as necessary.

Specifications

Model	A	B	C
Length in cm	170	183	175
Width in cm	127	114	89
Height in cm	66	66	69
Weight in kg	31,8	26,8	25,9
Maximum permissible speed in km/h	10	10	10
Recommended speed in km/h	5	5	5

Warranty

GB

The warranty terms issued by the Company or the importer shall apply in the country concerned.

We remedy faults on your sweeper free of charge under the terms of the guarantee providing that a material or manufacturing defect is responsible for the fault. In the event of a claim under the guarantee, please contact the sales person or the closest branch office.

