

BE100

10.1" Mini Bedside Terminal
SAMSUNG S5PV210 800MHzProcessor
Ultra Low Power Consumption
Fanless & compact design

BE100 Manual 1st Edition
October , 2011

Copyright Notice

This document is copyrighted, 2011. All rights are reserved. The original manufacturer reserves the right to make improvements to the products described in this manual at any time without notice.

No part of this manual may be reproduced, copied, translated, or transmitted in any form or by any means without the prior written permission of the original manufacturer. Information provided in this manual is intended to be accurate and reliable. However, the original manufacturer assumes no responsibility for its use, nor for any infringements upon the rights of third parties, which may result from its use.

The material in this document is for product information only and is subject to change without notice. While reasonable efforts have been made in the preparation of this document to assure its accuracy, ONYX Healthcare Inc., assumes no liabilities resulting from errors or omissions in this document, or from the use of the information contained herein

ONYX Healthcare Inc. reserves the right to make changes in the product design without notice to its users

Acknowledgments

- SAMSUNG S5PV210 800MHz Process are registered trademarks of SAMSUNG.
- IBM, PC/AT, PS/2 are trademarks of International Business Machines Corporation.
- Microsoft® Windows is a registered trademark of Microsoft® Corporation.
- RTL is a trademark of Realtek Semi-Conductor Co., Ltd.
- C&T is a trademark of Chips and Technologies, Inc.
- UMC is a trademark of United Microelectronics Corporation.
- ITE is a trademark of Integrated Technology Express, Inc.
- SiS is a trademark of Silicon Integrated Systems Corp.
- VIA is a trademark of VIA Technology, Inc.

All other product names or trademarks are properties of their respective owners.

Packing List

Before you begin installing your Bedside Terminal, please make sure that the following items have been shipped:

- BE100 Bedside Terminal.
- VESA Mount Screws
- Utility CD-ROM (Please insert the ONYX-BE100 CD-ROM into external CD-ROM drive.) which Contains User's Manual (in PDF format), Drivers and Utilities

If any of these items are missing or damaged, you should contact your distributor or sales representative immediately.

Headquarters

Onyx Healthcare Inc.

2F, No.135, Lane 235, Pao-Chiao Rd.,

Hsin-Tien City, Taipei 231, Taiwan, R.O.C.

TEL: +886-2-8919-2188

FAX: +886-2-8919-1699

E-mail: sales@onyx-healthcare.com

<http://www.onyx-healthcare.com>

Worldwide Offices:

Onyx Healthcare, USA Inc.

2663 Saturn street, Brea, CA 92821, USA

Tel : +1-714-996-1800

Fax: +1-714-996-1811

Email: usasales@onyx-healthcare.com

Onyx Healthcare EUROPE B.V.

Ekkersrijt 4002, 5692 DA Son, The Netherlands

Tel : +31-(0)499-462020

Fax: +31-(0)499-462010

Email: eusales@onyx-healthcare.com

Onyx Healthcare Technology GmbH

An der Trift65d

63303 Dreieich , Germany

TEL: +49-(0)61033-7479-00

Fax: +49-(0)61033-7479-49

Email: eusales@onyx-healthcare.com

Bedside Terminal

ONYX-BE100

Onyx Healthcare (Nanjing) INC.

Room 1318, Metallurgy Building , East Zhongshan Road,
Nanjing, China

Tel: +86-025-58859841

Fax: +86-025-85088070

Email: Jonwang@onyx-healthcare.com

Onyx Healthcare Singapore PTE LTD

57 Genting Lane, #07-00, Singapore 349564

Tel: +65-67498749

Fax +65-67461595

Email: sgsales@onyx-healthcare.com

Safety & Warranty

1. Read these safety instructions carefully.
2. Keep this user's manual for later reference.
3. Disconnect this equipment from any AC outlet before cleaning. Do not use liquid or spray detergents for cleaning. Use a damp cloth.
4. For pluggable equipment, the power outlet must be installed near the equipment and must be easily accessible.
5. Keep this equipment away from humidity.
6. Put this equipment on a reliable surface during installation. Dropping it or letting it fall could cause damage.
7. The openings on the enclosure are for air convection. Protect the equipment from overheating. **DO NOT COVER THE OPENINGS.**
8. **Make sure the voltage of the power source is correct before connecting the equipment to the power outlet.**
9. Position the power cord so that people cannot step on it. Do not place anything over the power cord.
10. All cautions and warnings on the equipment should be noted.
11. If the equipment is not used for a long time, disconnect it from the power source to avoid damage by transient over-voltage.
12. Never pour any liquid into an opening. This could cause fire or electrical shock.
13. Never open the equipment. For safety reasons, only qualified service personnel should open the equipment.

14. If any of the following situations arises, get the equipment checked by service personnel:
 - a. The power cord or plug is damaged.
 - b. Liquid has penetrated into the equipment.
 - c. The equipment has been exposed to moisture.
 - d. The equipment does not work well, or you cannot get it to work according to the user's manual.
 - e. The equipment has been dropped and damaged.
 - f. The equipment has obvious signs of breakage.
15. **DO NOT LEAVE THIS EQUIPMENT IN AN UNCONTROLLED ENVIRONMENT WHERE THE STORAGE TEMPERATURE IS BELOW -20° C (-4°F) OR ABOVE 60° C (140° F). IT MAY DAMAGE THE EQUIPMENT.**
16. **External equipment intended for connection to signal input/output or other connectors, shall comply with relevant UL / IEC standard (e.g. UL 60950-1 for IT equipment and ANSI/AAMI ES 60601-1 / IEC 60601-1 series for systems – shall comply with the standard IEC 60601-1-1, Safety requirements for medical electrical systems. Equipment not complying with ANSI/AAMI ES 60601-1 shall be kept outside the patient environment, as defined in the standard.**
17. **WARNING: To avoid the risk of electric shock, this equipment must only be connected to a supply mains with protective earth.**

18. “ **WARNING: No modification of this equipment is allowed**”

Caution:

It may cause the danger of explosion if battery is incorrectly replaced. Replace only with same or equivalent type recommended by the manufacturer.

Classification

1. Degree of protection against electric shock: not classified
2. Equipment not suitable for use in the presence of a flammable anesthetic mixture with air or with oxygen or nitrous oxide.
3. Mode of operation: Continuous
4. Type of protection against electric shock: Class I equipment
5. **ME EQUIPMENT must be connected to an appropriate power source, if loss of the power source would result in an unacceptable RISK.**


FCC

Warning!








This device complies with Part 15 FCC Rules. Operation is subject to the following two conditions: (1) this device may not cause harmful interference, and (2) this device must accept any interference received including interference that may cause undesired operation.

UL Module Description

 The logo consists of a central circle containing the letters 'UL'. Above the circle, the word 'CLASSIFIED' is written in a semi-circle. To the left of the circle is the letter 'C' and to the right is 'US'.	<p><i>BE100 AC modules are developed to suitable for the Classification Mark requirement</i></p>
---	--

Safety Symbol Description

The following safety symbols are the further explanations for your reference.

	<p><i>Medical equipment with respect to electric shock, fire and mechanical hazards only in accordance with ANSI/AAMI ES 60601-1, and CSA C22.2 NO 60601-1-08-CAN/CSA</i></p>
	<p><i>Attention, consult ACCOMPANYING DOCUMENTS.</i></p>
	<p><i>Ground wire Protective Ground wire.</i></p>
	<p><i>Medical equipment with respect to electric shock, fire and mechanical hazards only in accordance with ANSI/AAMI ES 60601-1, and CSA C22.2 NO 60601-1-08-CAN/CSA</i></p>
	<p><i>Touch Panel and Plastic Enclosure treat as Type B applied part.</i></p>

Contents

Chapter 1 General Information

1.1 Introduction.....	1-2
1.2 Feature	1-3
1.3 Specification	1-4
1.4 Dimension	1-10

Chapter 2 Hardware Installation

2.1 Safety Precautions	2-2
2.2 A Quick Tour of the BE100	2-3
2.3 Mounting Installing	2-5
2.4 Powering on the unit.....	

Appendix A Miscellanea

A.1 General Cleaning Tips.....	A-2
A.2 Cleaning Tools	A-3
A.3 Scrap Computer Recycling	A-5

Chapter

1

**General
Information**

1.1 Introduction

—A bedside terminal solution for ultimate patient services that boosts patient satisfaction and well-beings.

BE100 offers the highly scalable bedside infotainment solution to enhance patient experiences within the hospital. Packaged with renowned software solution partners, 10.1” BE100 bedside terminals provides patients with capabilities like Entertainment on Demand, Online Access, VoIP Phone, etc.

Clinical Applications

- Ward, Nursing Station/Cart

Service Capabilities – BE100

- **Hospital Information Access –**
 - Patient Record Access
 - Treatment Progress Reporting (i.e. Medical Charting)
 - Dietary/Meal Ordering Service
- **Entertainment on Demand**
 - Video-on-Demand
 - TV/Radio Broadcasting

1.2 Feature

- * Samsung S5PV210 800MHz Processor
- * 10.1" (16:9) wide color TFT LED LCD display (1024 x 600)
- * Fanless & Compact Design
- * Smart Card Reader
- * Less than 10 watt power (Energy Saving)
- * Hardware Decoder Support:
 - H.264 up to 1080i
 - MPEG4 up to 1080i
 - MPEG2 up to D1
- * WLAN b/g (Optional)
- * RFID / VOIP Phone Function (Optional)
- * Multimedia Entertainment: TV, VoIP, Web Radio

1.3 Specification

Model Number	
BE100	
Model Description	
10.1" Low Power Mini Bedside Terminal with Multimedia	
Main Specification	
CPU Processor	SAMSUNG S5PV210 800MHz
System Memory	512MB DDR2-533MHz
Display	10.1" Color TFT LED LCD
OS Support	Android 2.2 Froyo (SDK for SW party developing AP & UI)
Expansion	VoIP Phone / RFID Function (Optional)
Main Specification (Cont.)	
System Storage	512MB 8-bit NAND Flash - (Boot loader and Kernel)
User Storage	1 x Internal SD socket 1 x Smart Card Reader
Button	Volume + Volume – Brightness + Brightness – LCD On/Off
Support Content	IP TV, Web/Gaming, Internet Radio H.264 up to 720p, MPEG4 up to 720p, MPEG2 up

	to D1
I/O	
Audio	1 x Line out / Internal MIC
USB	2 x External USB2.0 on bottom I/O
Serial port	1 x Internal RS-232 (Debug Port)
Ethernet	LAN 1:1 x10/100 Isolated LAN
Membrane Function	Audio control (Volume+, Volume -) LCD on/off Brightness control (Brightness+, Brightness-) Programmable function key
I/O (Cont.)	
Speaker	2 x 2W High Quality Speakers
LCD Specification	
Model	BE100 Series
Display Type	10.1" Color TFT LCD
Max. Resolution	1024 x 600
Max. Colors	16.7M
Dot Size (mm)	0.3 x 0.3
Luminance (cd/m²)	300 nits
View Angle	55/55(H right/Left)
	30/55 (V upper/lower)
Contrast Ratio	1000:1
Back Light MTBF	50,000 Hrs
Note:	

All ONYX's LCD products are manufactured with High precision technology. However, there are a small number of defective pixels in all LCD panels that are not able to change color. This is a normal occurrence for all LCD displays from all manufacturers and should not be noticeable or objectionable under normal operation. ONYX LCD panels are qualified for industry standard conditions in the following: total 7 dead pixels on a screen or if there are 3 within 1 inch square area of each other on the display.

Touch Screen

Type	4 Wire Resistive
Resolution	1024 x 600
Light Transmission	> 78%
Lifetime	10 million activities

Mechanical Specifications

Model	BE100 Series
Architecture	Close-Frame Design
Front Bezel	IP65 in front for easy cleaning
Color	Front and back with RAL9003 White color
Mounting / Holder	VESA 75/100mm, Desk Top, Wall Mount\
Construction	3mm ABS + PC Plastic Housing
Dimension (WxHxD)	265 mm x 195.5 mm x 37mm
Carton Dimension	403 mm x 370 mm x 367 mm (4 pcs /Carton)
Net Weight	950gram
Gross Weight	5Kg (4 pcs/ Carton)
Packing Filler	PE foam
Buttons	5 membrane keys design on front touch panel

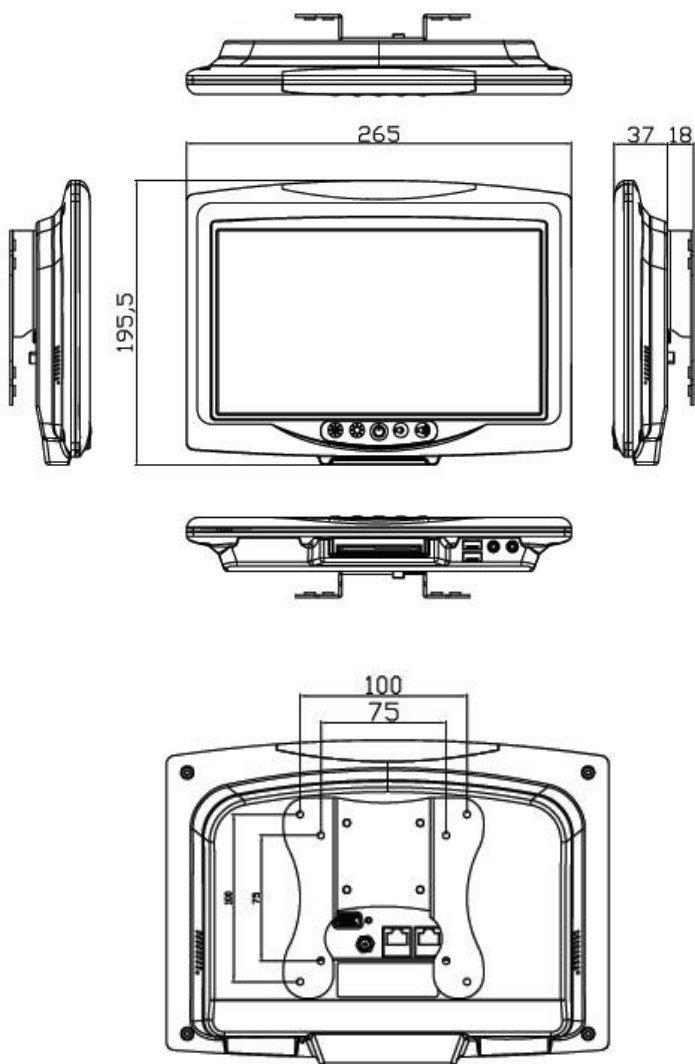
Infection control design	Anti-microbial design (Optional)
IP/Analog Phone Hand Set	None/built-in mic
RFID Scanner	Optional
Smart Card Readers	Bottom center placement on the unit
Power Supply Requirement	
Power Supply	DC 12V (Eljintek Inc)
Model No.	MPU30A-3
Input Voltage	AC: 100 – 240V @ 0.8A - 0.4A; 50-60Hz
Output Voltage	DC: 12V @ 2.5A
MTBF	150,000 hrs minimum at full load @ 25°C
Environmental Specification	
Operating Temperature	0°C ~ 40°C (32°F ~ 104°F)
Storage Temperature	-20°C ~ 60°C (-4°F ~140°F)
Pressure	850~1000hPa(Operating) / 850~1000hPa(Transport / Storage)
Storage Humidity	5% ~ 95% @ 40°C, Non-Condensing
Vibration	Random Operation 0.5G, 5~500Hz
Shock	15G Peak Acceleration (11ms. Duration)
Degree of Protection	IP65 on Front Panel/IPX1 on Ward Terminal
Drop	By weight
Noise	Fanless

Bedside Terminal

ONYX-BE100

EMC	CE/FCC Class B, EN60601-1-3, Applied Part
Infection Control	Anti-microbial bezel material (optional)

1.4 Dimension



Chapter

2

**Hardware
Installation**

2.1 Safety Precautions

Warning!



- *Always completely disconnect the power cord from your board whenever you are working on it.*
- *Do not make connections while the power is on, because a sudden rush of power can damage sensitive electronic components.*

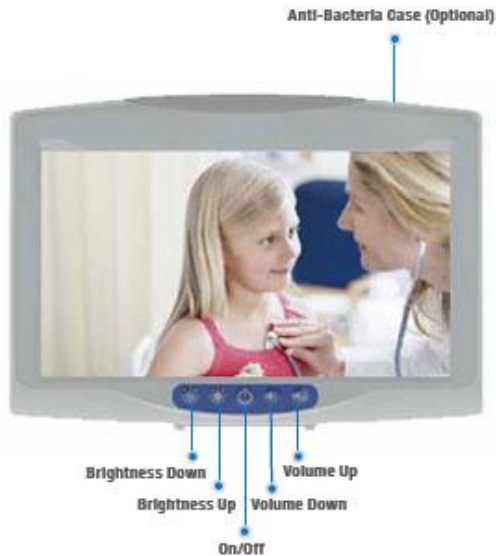
Caution!



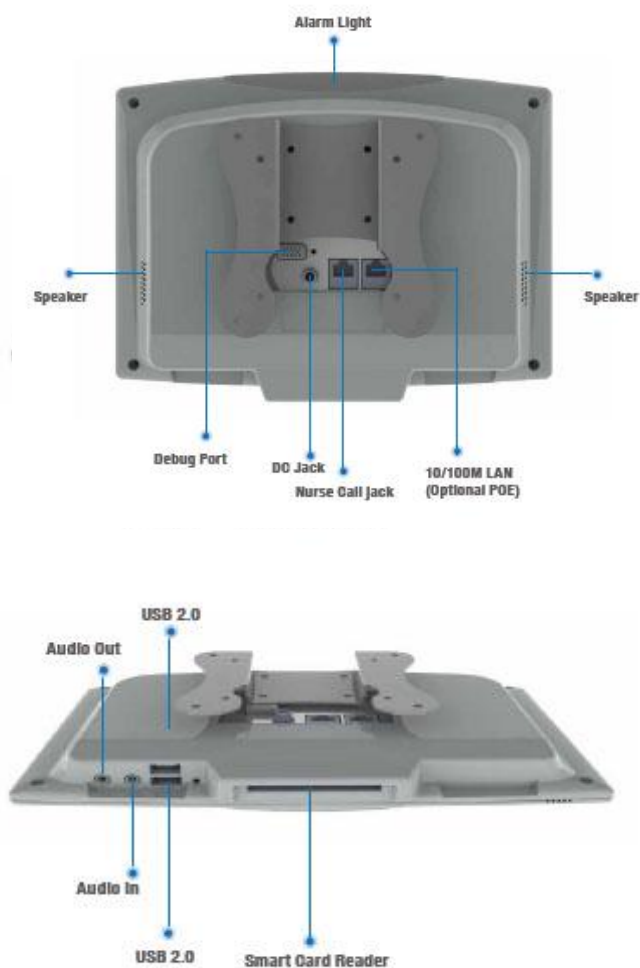
- *Always ground yourself to remove any static charge before touching the board.*
- *Modern electronic devices are very sensitive to static electric charges; please remember to use a grounding wrist strap at all times.*
- *Place all electronic components on a static-dissipative surface or in a static-shielded bag when they are not in the chassis.*

2.2 A Quick Tour of the BE100

Before you start to set up the BE100, please take a moment to familiarize yourself with the locations and purposes of the controls, drives, connections and ports. The following figures illustrate the fully loaded bedside terminal with all applicable options.



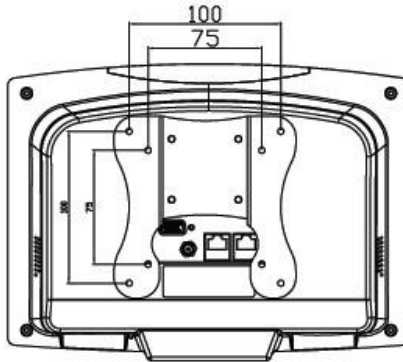
Picture 2.1: Bedside Terminal Front Panel View



Picture 2.2: Bedside Terminal Rear View

2.3 Mounting Installing

Onyx-100 is suitable for VESA75/100mm interface pads for desktop stand.



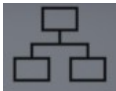
Attention: When operating the Medical PC, please allow 15cm clearance area for optimal heat dissipation

2.4 Powering on the unit

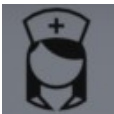
1. Connect the 12 DC adaptor to the DC jack of BE100
2. Press the on/off button on the front panel
3. The system will boot up automatically
4. You will see the system boot up with a penguin logo on the top left screen
5. After 30~40 seconds, the system will boot into Android system

2.5 Connecting the Unit

1. The unit can be connected to the internet thru the LAN port
2. It should be connected to a DHCP router for automatic IP assignment
3. If it's connected to a Ethernet switch, than you would need to manual enter the static IP address under the Android network setting
4. The unit can be connected to the RS232 port of a PC. However this should be done only by Maintenance technician for debugging purpose
5. There are 2 x USB type A port that can connect to USB disk, mouse, keyboard which is only accessible to the medical staff
6. Line-out/Line-in can be connected to the earphone and external microphone which is only accessible to the medical staff



Connect to the Router, Ethernet Switch, or Ethernet modem



Only accessible to the medical staff



Only accessible to the maintenance technician

2.6 Operating the Unit

1. The devices connecting to the unit can all be hot plugged.
2. Shutting down the system can be done by simply removing the power adaptor from the unit

Appendix

A

Miscellanea

B.1 General Cleaning Tips

Please refer to the following precautions and fully understand the warning details prior to cleaning the device.

1. Never spray or squirt the liquids directly onto any computer component. If you need to clean the device, please rub it with a piece of dry cloth.
2. Be cautious of the tiny removable components when you use a vacuum cleaner to absorb the dirt on the floor.
3. Turn the system off before you start to clean up the component or computer.
4. Never drop the components inside the computer or get circuit board damp or wet.
5. Be cautious of all kinds of cleaning solvents or chemicals when you use it for the sake of cleaning. Some individuals may be allergic to the ingredients.
6. Try not to put any food, drink or cigarette around the computer.
7. Please remember to clean up the computer by weekly.
8. ONYX Healthcare Inc. has tested and verified these cleaning disinfectants, CIDEX, Viraguard, Control III Disinfectant Germicide, Caviwipes, Dispatch Disinfectant Cleaner CLH69101, Puregreen 24 Disinfectant, can be used with the BE150/180. Use of any other disinfectants will void the warranty.

B.2 Cleaning Tools

Although many companies have created products to help improve the process of cleaning your computer and peripherals users can also use household items to clean their computers and peripherals. Below is a listing of items you may need or want to use while cleaning your computer or computer peripherals.

Keep in mind that some components in your computer may only be able to be cleaned using a product designed for cleaning that component, if this is the case it will be mentioned in the cleaning tips.

- **Cloth** - A piece of cloth is the best tool to use when rubbing up a component. Although paper towels or tissues can be used on most hardware as well, we still recommend you to rub it with a piece of cloth.
- **Water or rubbing alcohol** – You may moisten a piece of cloth a bit with some water or rubbing alcohol and rub it on the computer. Unknown solvents may be harmful to the plastics parts.
- **Vacuum cleaner** - Absorb the dust, dirt, hair, cigarette particles, and other particles out of a computer can be one of the best methods of cleaning a computer. Over time these items can restrict the airflow in a computer and cause circuitry to corrode.

- **Cotton swabs** - Cotton swaps moistened with rubbing alcohol or water are excellent tools for wiping hard to reach areas in your keyboard, mouse, and other locations.
- **Foam swabs** - Whenever possible it is better to use lint free swabs such as foam swabs.

Note:

- 1. We strongly recommended that you should shut down the system before you start to clean any components.*
- 2. Please remember to clean up your computer every day.*

Please follow the steps below before cleaning the device.

1. Close all application programs.
2. Close operating software.
3. Turn off power switch
4. Remove all device
5. Unplug power adaptor from the machine

B.3 Scrap Computer Recycling

If the computer equipments need the maintenance or are beyond repair, we strongly recommended that you should inform us as soon as possible for the suitable solution. For the computers that are no longer useful or work well, please contact with worldwide distributors for recycling.

The worldwide distributors show on the following website:

<http://www.onyx-healthcare.com.tw/Contact.php>

Note:

Please follow the national requirement for unit disposal.