

clarion

Owner's manual & Installation manual
Mode d'emploi et manuel d' Installation
Bedienungs- und Installationsanleitung
Manuale dell'utente e manuale di installazione
Gebruikershandleiding & Installatiehandleiding
Manual de instrucciones y manual de instalación
Bruksanvisning och installationshandbok
Instrukcja użytkownika i Instrukcja montażu
Εγχειρίδιο κατόχου και Εγχειρίδιο εγκατάστασης
Руководство пользователя и инструкция по установке

CZ215E

CD/USB/MP3/WMA RECEIVER
LECTEUR CD/USB/MP3/WMA
CD/USB/MP3/WMA-RECEIVER
SINTOLETTORE CD/USB/MP3/WMA
CD/USB/MP3/WMA-ONTVANGER
RECEPTOR CD/USB/MP3/WMA
CD/USB/MP3/WMA-RECEIVER
ODBIORNIK CD/USB/MP3/WMA
ΔΕΚΤΗΣ CD/USB/MP3/WMA
CD/USB/MP3/WMA ПРИЕМНИК

CZ315E

Bluetooth® CD/USB/MP3/WMA RECEIVER
LECTEUR CD/USB/MP3/WMA Bluetooth®
Bluetooth®-CD/USB/MP3/WMA-RECEIVER
SINTOLETTORE CD/USB/MP3/WMA Bluetooth®
Bluetooth® CD/USB/MP3/WMA-ONTVANGER
RECEPTOR CD/USB/MP3/WMA Bluetooth®
Bluetooth® CD/USB/MP3/WMA-RECEIVER
ODBIORNIK Bluetooth® CD/USB/MP3/WMA
ΔΕΚΤΗΣ CD/USB/MP3/WMA Bluetooth®
Bluetooth® CD/USB/MP3/WMA ПРИЕМНИК

CAUTIONS:

This appliance contains a laser system and is classified as a "CLASS 1 LASER PRODUCT". To use this model properly, read this Owner's Manual carefully and keep this manual for your future reference. In case of any trouble with this player, please contact your nearest "AUTHORIZED service station". To prevent direct exposure to the laser beam, do not try to open the enclosure.

!CAUTION

USE OF CONTROLS OR ADJUSTMENTS OR PERFORMANCE OF PROCEDURES OTHER THAN THOSE SPECIFIED IN THE OWNER'S MANUAL MAY RESULT IN HAZARDOUS RADIATION EXPOSURE.

ADVARSEL.

Denne mærking er anbragt udvendigt på apparatet og indikerer, at apparatet arbejder med laserstråler af klasse 1, hvilket betyder, at der anvendes laserstråler af svageste klasse, og at man ikke på apparatets yderside kan blive udsat for utilsladelig kraftig stråling.

APPARATET BØR KUN ÅBNES AF FAGFOLK MED SÆRLIGT KENDSKAB TIL APPARATER MED LASERSTRÅLER!

Indvendigt i apparatet er anbragt den her gengivne advarselmærkning, som advarer imod at foretage sådanne indgreb i apparatet, at man kan komme til at udsætte sig for laserstråling.

OBS!

Apparaten innehåller laserkomponenten som avger laserstråling överstigande gränsen för laserklass 1.

VAROITUS

Suojakoteloä si saa avata. Laite sisältää laseriodin, joka lähettää näkymätöntä silmille vaarallista lasersäteilyä.

MODEL NO.		clarion
INPUT: 14V=15A		USB PORT: 5V=1A
LW 153-279kHz		EAC CE
MW 531-1602kHz		
FM(UKW) 87.50-108.00MHz		
P/NAME: CAR AUDIO		
CLASS 1 LASER PRODUCT		
This product includes technology owned by Microsoft Corporation and cannot be used or distributed without a license from MSLGP.		
<div style="display: flex; justify-content: space-between;"> <div> <p>E9 10R-05.1639</p> <p>SERIAL No. [-----]</p> <p>PC# [-----]</p> </div> <div> <p>LF 276 [-----]</p> <p>Clarion Co., Ltd.</p> <p>MADE IN [-----]</p> </div> </div>		



Thank you for purchasing this **Clarion** product.

- Please read this owner's manual in its entirety before operating this equipment.
- After reading this manual, be sure to keep it in a handy place (e.g., glove compartment).
- Check the contents of the enclosed warranty card and keep it carefully with this manual.

Contents

1. FEATURES	4
Expanding Systems	4
2. PRECAUTIONS	5
Remove the DCP	6
Attach the DCP	6
3. CONTROLS	7
Operational Panel	7
Remote Control (RCB-176: sold separately)	8
4. OPERATIONS	10
Basic Operations	10
Audio Setup	11
System Setup	12
Radio Operations	14
CD/MP3/WMA Operations	15
USB Operations	18
iPod Operations	18
Bluetooth Operations (CZ315E only)	19
AUX Operations	20
5. TROUBLESHOOTING	21
6. ERROR DISPLAYS	23
7. SPECIFICATIONS	24
8. INSTALLATION/WIRE CONNECT GUIDE	25
Before Starting	25
Package Contents	25
General Cautions	25
Cautions on Installation	25
Installing the Main Unit	26
Removal	28
Cautions on Wiring	29

1. FEATURES

 Intelligent Tune

Made for
iPod iPhone

 Bluetooth®
(CZ315E only)

COMPACT
disc
DIGITAL AUDIO
TEXT

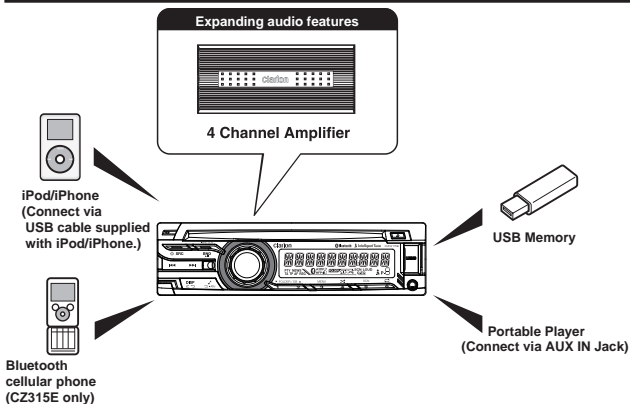
RDS

MP3/WMA

USB

- Built in Bluetooth® handsfree (HFP) and audio streaming (A2DP & AVRCP) (CZ315E only)
- Compatible with iPod®/iPhone® via USB
- Sound Quality Correction by Intelligent Tune

Expanding Systems



Note:

- The items listed only show connectivity options and are not included with the unit.

2. PRECAUTIONS

WARNING

For your safety, the driver should not operate the controls while driving. Also, while driving, keep the volume to a level at which external sounds can be heard.

This unit is applicable for on-road 4 wheel vehicle purpose only. Use for tractor, fork truck, bulldozer, off road vehicle, 2 or 3 wheel motor bicycle, marine boat or other special purpose vehicle is not appropriate.

INFORMATION FOR USERS:

CHANGES OR MODIFICATIONS TO THIS PRODUCT NOT APPROVED BY THE MANUFACTURER WILL VOID THE WARRANTY.

Handling Compact Discs

- Compared to ordinary music CDs, CD-R and CD-RW discs are both easily affected by high temperature and humidity and some of CD-Rand CD-RW discs may not be played. Therefore, do not leave them for a long time in the car.
- Never stick labels on the surface of the compact disc or mark the surface with a pencil or pen.

Display Screen

In extremely cold, the screen movement may slow down and the screen may darken, but this is normal. The screen will recover when it returns to normal temperature.

About the registered marks, etc.

- "Made for iPod," and "Made for iPhone" mean that an electronic accessory has been designed to connect specifically to iPod, or iPhone, respectively, and has been certified by the developer to meet Apple performance standards. Apple is not responsible for the operation of this device or its compliance with safety and regulatory standards. Please note that the use of this accessory

with iPod or iPhone may affect wireless performance.

iPhone and iPod are trademarks of Apple Inc., registered in the U.S. and other countries.

- The Bluetooth® word mark and logos are registered trademarks owned by Bluetooth SIG, Inc. and any use of such marks by Clarion Co., Ltd. is under license. Other trademarks and trade names are those of their respective owners.

USB Connector

- The USB memory stick may stick out when inserted, so it may cause danger during driving. When connect USB memory stick to the main unit, please use a USB extension cable (CCA-755, sold separately).
- The USB memory sticks must be recognized as "USB mass storage class" to work properly. Some models may not operate correctly.

When the memorized data is lost or damaged by any chance, Clarion shall not be liable for any damage.

When using the USB memory stick, we recommend that you backup your data stored on it before using a personal computer etc.

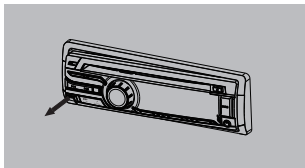
- Data files may be broken when using USB memory sticks in the following situation:
 - When disconnecting the USB memory stick or turning the power off during reading data.
 - When affected by static electricity or electric noise.
 - Connect/disconnect the USB memory stick when it is not accessed.
 - Connecting with the computer is not covered.

Remove the DCP

The control panel can be detached to prevent theft. When detaching the control panel, keep it in the safety place and prevent scratches.

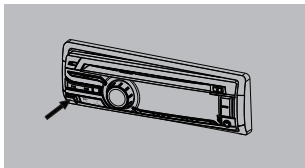
We recommend taking the DCP (DETACHABLE CONTROL PANEL) with you when leaving the car.

1. Long press the **[SRC]** button to turn off the power.
2. Deeply push in **[OPEN]** button to unlock the DCP.
3. Hold the side popped out, remove the DCP.



Attach the DCP

1. Hold the DCP and ensure that the panel faces towards you. Set the right side of the DCP into the DCP bracket.
2. Press the left side of the DCP until it locks.



⚠ CAUTION

- The DCP can easily be damaged by shocks. After removing it, be carefully not to drop it or subject it to strong shocks.
- Once the **[OPEN]** button is pressed and DCP is unlocked, car vibrations can cause the DCP to fall.
- The connector for the main unit and DCP is extremely important. Be careful not to damage it by pressing on it with fingernails, screwdrivers, etc.

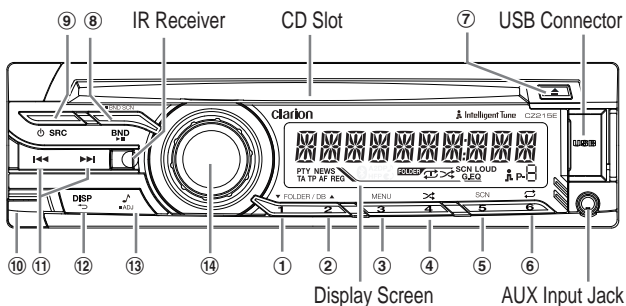
Note:

- If the DCP is dirty, wipe off the dirt with a soft, dry cloth only.

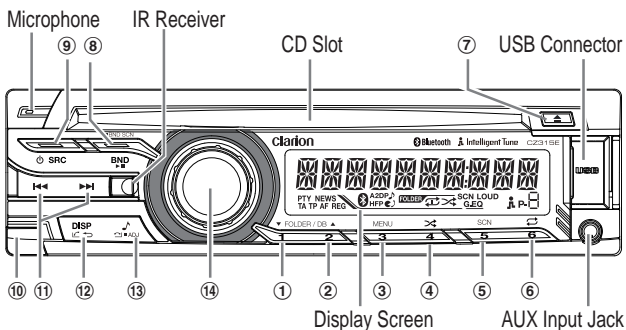
3. CONTROLS

Operational Panel

<CZ215E>



<CZ315E>



Names of Buttons

No.	Name	Functions	
①-⑥	[1]-[6]	Short press	Radio-Preset station 1-6
		Long Press	Radio-Store stations in memory

①~②	[1]-[2]	Short press	MP3/WMA/USB-Folder up/ Folder down iPod-DB up/ DB down
③	[3]	Short press	MP3/WMA/USB- Browsing function iPod-List back
		Long Press	iPod-Top menu
④	[4]	Short press	CD/MP3/WMA/USB/iPod-Random play
⑤	[5]	Short press	CD/MP3/WMA/USB-Scan play
⑥	[6]	Short press	CD/MP3/WMA/USB/iPod-Repeat play
⑦	[▲]	Short press	Eject disc
		Long Press	Full eject disc
⑧	[BND]	Short press	Radio-Change bands. CD/MP3/WMA/USB/iPod/BT Audio*-Play/pause
		Long Press	Radio-Band scan
⑨	[SRC]	Short press	Switch mode
		Long Press	Power off
⑩	[OPEN]	Short press	Unlock the front panel
⑪	[⏮] [⏭]	Short press	Radio-Tune up/down CD/MP3/WMA/USB/iPod/BT Audio*-Track up/down
		Long Press	Radio-Auto seek up/down CD/MP3/WMA/USB/iPod/BT Audio*-Fast-forward / fast-reverse
⑫	[DISP]	Short press	CD/MP3/WMA/USB/iPod/BT Audio*-Switch display TEL interrupt *-Answer a call
⑬	[🎵]	Short press	Audio setup TEL interrupt *-Reject a call
		Long Press	System setup
⑭	[ROTARY]	Rotate	Adjust volume
		Short Press	Mute on/off

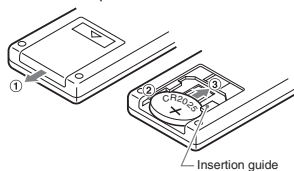
* These modes are for CZ315E only.

Remote Control (RCB-176: sold separately)

Inserting the Battery

- Turn over the remote control unit and slide the cover in the direction indicated by the arrow in the illustration.
- Insert the battery (CR2025) into the insertion guides, with the printed side (+) facing upwards.
- Press the battery in the direction indicated by the arrow so that it slides into the compartment.

- Replace the cover and slide in until it clicks into place.

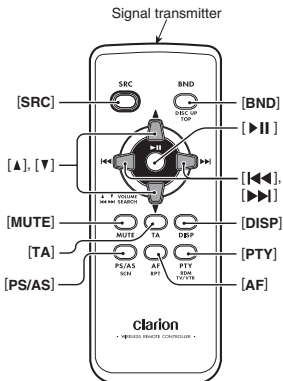


Notes:

Misuse may result in rupture of the battery, producing leakage of fluid and resulting in personal injury or damage to surrounding materials. Always follow these safety precautions:

- Use only the designated battery.

- When replacing the battery, insert properly, with +/- polarities oriented correctly.
- Do not subject battery to heat, or dispose of in fire or water. Do not attempt to disassemble the battery.
- Dispose of used batteries properly.

Names of Buttons**[SRC] button**

- Alternate operation mode.
- Power off (long press).

[▲], [▼] buttons

- Increases and decreases volume.

[MUTE] button

- Mute on and off.

[TA] button

- TA on and off.

[PS/AS] button

- Radio-Band scan.
- Radio- Auto store (Long press).
- CD/MP3/WMA/USB- Scan Play.

[BND] button

- Radio-Switches reception band.
- CD/MP3/WMA/USB- Top play.

[▶||] button

- Play and pause.

[◀◀], [▶▶] buttons

- Radio-Preset channels up and down.
- Radio-Seek up and down (Long press).
- CD/MP3/WMA/USB/iPod/BT Audio-Tracks up and down.
- CD/MP3/WMA/USB/BT Audio-Fast-forward/fast-reverse (Long press).

[DISP] button

- Alternate display.

[PTY] button

- CD/MP3/WMA/USB/iPod-Random play.

[AF] button

- Radio-AF function on and off.
- Radio-REG function on and off (Long press).
- CD/MP3/WMA/USB/iPod-Repeat play.

4. OPERATIONS

Notes:

- Be sure to read this chapter referring to the front diagrams of chapter "Operational pannel" on page 7.
- If the sound becomes distorted it will be the result of the selected combination of sound adjustment settings such as, Virtual Bass, Sound Restorer, Dynamic Beat Enhancer, Bass/Treble and Graphic Equalizer. In such an event please lower the level of effect.

Basic Operations

▲ CAUTION

Be sure to lower the volume before switching off the unit power or the ignition key. The unit remembers its last volume setting.

Power on/off

Notes:

- Start the engine before using this unit.
 - Be careful about using this unit for a long time without running the engine. If you drain the battery too far, you may not be able to start the engine and this can reduce the service life of the battery.
1. Press any button (except [▲] button) to turn on the power.
 2. Long press [SRC] button to turn off the power.

Selecting a source mode

1. Press [SRC] button to change the operation mode.
TUNER → DISC* → USB/iPod* → BT AUDIO (CZ315E) → BT-TEL* (CZ315E) → AUX → TUNER...
- * When disc is not loaded, USB/iPod device is not connected, or Bluetooth device is not paired, the related source mode will be skipped.

Adjusting the Volume

1. Turning [ROTARY] knob to adjust the volume.
- * The volume level is from 0 to 40.

Mute

1. Press [ROTARY] knob to turn mute on or off.

Title Scroll

1. Long press [DISP] button while in title display.
The title will scroll 1 time.

Clock Setup

1. Press [DISP] button to switch to the clock display.
2. Long press [DISP] button until the clock blinks.
3. Press [◀◀] or [▶▶] button to select hour or minute.
4. Turn [ROTARY] knob to set the correct time.
* The clock is displayed in 12-hour format.
5. Press [ROTARY] knob to store the clock into memory.

Note:

- You cannot set the clock when it is displayed with only the ignition on. If you drain or remove the car's battery or take out this unit, the clock is reset. While setting the clock, if another button or operation is selected, the clock setup mode is canceled.

Audio Setup

You can adjust a sound effect or tone quality to your preference.

1. Press [**⏮**] button.
2. Then press [**⏮**] or [**⏭**] button to select the audio setup item:
SW-VOL *1 ↔ **G-EQ** *2 ↔ **BASS** *3 ↔
TREB *3 ↔ **BAL** ↔ **FAD** ↔ **INTEL-TUNE** ※ ↔ **LOUD** ↔ **HPF (CZ315E)** ↔
LPF *1 ↔ **SW-PHASE** ※ ↔ **PRE OUT** ※

Notes:

- *1 These items can be performed only when the item "PRE-OUT" is set to "SUB WOOFER".
 - *2 This item can be performed only when the system item "EQ-SELECT" is set to "G EQ" (page 12).
 - *3 These items can be performed only when the system item "EQ-SELECT" is set to "BASS/TREB" (page 12).
 - ※ You should press [ROTARY] knob to adjust the setting for these items.
 - **SW-VOL**: output volume of subwoofer
 - **G-EQ (Graphic Equalizer)**: select the desired audio effect in preset memory
 - **BAL (Balance)**: balance of the right and left speakers
 - **FAD (Fader)**: balance of the rear and front speakers
 - **INTEL-TUNE (Intelligent Tune)**: Clarion's sound technology developed for turning the car interior into a wonderful listening environment
 - **LOUD (Loudness)**: bass or treble emphasized
 - **HPF**: high pass filter for speaker/pre-out
 - **LPF**: low pass filter of subwoofer/pre-out
 - **SW-PHASE**: phase reverse for subwoofer
 - **PRE OUT**: rear and sub woofer switch
3. Turn [ROTARY] knob to adjust the value.
 - **SW-VOL**: -6 ~ +6 (default: 0)
 - **G-EQ**: detailed operations are below
 - **BASS / TREB**: -15 ~ +15 (default: 0)
 - **BAL**: L7 ~ R7 (default: 0)
 - **FAD**: R7 ~ F7 (default: 0)
 - **INTEL-TUNE**: detailed operations are

below

- **LOUD**: ON/OFF (default: OFF)
 - **HPF/LPF**: 50/80/120/THROUGH (default: THROUGH)
 - **SW-PHASE**: NORMAL/REVERSE (default: NORMAL)
 - **PRE-OUT**: REAR/SUB WOOFER (default: SUB WOOFER)
4. After completing settings, press [**⏮**] button to return to the previous mode.

Notes:

- During "SW-VOL/BASS/TREB/BAL/FAD" setup, if no operation is performed for more than 10 seconds, this mode can be cancelled and return to previous mode.
- You can press [DISP] button to return to the previous layer during operations.

Setting Graphic Equalizer

This unit is provided with 9 types of sound quality effects stored in memory.

Select the one you prefer.

* The factory default setting is "OFF".

1. Select "G-EQ" in audio items, and press [ROTARY] knob.
2. Turn [ROTARY] knob, select a tone effect.
OFF ↔ **CUSTOM** ↔ **BASS BOOST** ↔
HIGH BOOST ↔ **VOCAL** ↔ **IMPACT** ↔
NATURAL ↔ **USER 1** ↔ **USER 2** ↔
USER 3
 - **OFF**: flat
 - **CUSTOM**: user custom temporarily
 - **BASS BOOST**: bass emphasized
 - **HIGH BOOST**: mid and treble emphasized
 - **VOCAL**: mid emphasized
 - **IMPACT**: bass and treble emphasized
 - **NATURAL**: calm and moist
 - **USER 1/2/3**: user custom

Setting preferred sound quality effects

1. Select "BASS BOOST/HIGH BOOST/VOCAL/IMPACT/NATURAL/USER 1/USER 2/USER 3", and press [ROTARY] knob.
2. Press [**⏮**] or [**⏭**] button to select a frequency.
3. Turn [ROTARY] knob to change the

Audio Setup

setting: -6 ~ +6

- Long press [1]-[3] button to store the setting into "USER 1" ~ "USER 3" memory.

Note:

- If you do not perform storing as step 4 when you select "BASS BOOST/HIGH BOOST/VOCAL/IMPACT/NATURAL", the setting will be stored in "CUSTOM" temporarily.

Setting Intelligent Tune

- Select "INTEL-TUNE" in audio items, and press [ROTARY] knob.
- Press [◀◀] or [▶▶] button, the tone effect changes.

System Setup

- Long press [∧] button.
- Then press [◀◀] or [▶▶] button to select the system setup items:

TÅ ↔ AF ↔ REG ↔ PTY ↔ AUTO *
 STORE ↔ DX/LO ↔ AUX SENS
 BT SELECT ↔ BT DELETE CZ315E only
 BT DISCON ↔ A-ANSWER ↔
 A-CONNECT ↔ TEL MEMORY ↔ PIN
 CODE ↔ DIMMER ↔ BEEP ↔ EQ-SELECT ↔ LANGUAGE * ↔ RESET

- BT SELECT:** select paired device
- BT DELETE:** delete paired device
- BT DISCON:** disconnect device
- A-ANSWER:** auto answer
- A-CONNECT:** auto connect
- TEL MEMORY:** priority for phonebook download
- DIMMER:** dimmer control
- BEEP:** button beep sound
- EQ-SELECT:** select rear or subwoofer
- LANGUAGE:** title display language setting
- RESET:** memory reset

* These items are setting for the different source mode. The detailed operations please follow the following source mode operations chapter.

※ You should press [ROTARY] knob to adjust the setting for this item.

- Turn [ROTARY] knob to adjust the setting.

S-RESTORER ↔ V-BASS ↔ D-BEAT

- S-RESTORER (Sound Restorer):** full quality sound reproduction of compressed audio data (default: MID)
- V-BASS (Virtual Bass):** delivers powerful lows just like an add-on subwoofer (default: OFF)
- D-BEAT (Dynamic Beat Enhancer):** (default: HIGH)
 - Press [ROTARY] knob.
 - Turn [ROTARY] knob to adjust the value.
S-RESTORER/V-BASS/D-BEAT: OFF/LOW/MID/HIGH.

BT SELECT/BT DELETE/BT DISCON/A-ANSWER/A-CONNECT:

detailed operations are below

- DIMMER:** ON/OFF (default: ON)
 - BEEP:** TYPE-A/TYP-E-B/OFF (default: TYPE-A)
 - EQ-SELECT:** G-EQ, BASS/TREBLE (default: G-EQ)
 - LANGUAGE:** ENG(English)/PYC(Russian) (default: ENG)
 - RESET:** detailed operations are below
- After completing settings, press [DISP] button to return to the previous mode.

Note:

- You can press [DISP] button to return to the previous layer during operations.

Select Paired Device

This is a setting for user to select one of the paired mobile phones to connect.

- Select "BT SELECT" in system setup items.
- Turn the [ROTARY] knob to choose one of the paired devices.
- Press the [ROTARY] knob to connect.

Delete Paired Device

This is a setting for user to delete one of the paired device from the list.

- Select "BT DELETE" in system setup items.
- The paired device appears in the

System Setup

display, then turn **[ROTARY]** knob to choose one of the paired devices.

3. Press **[ROTARY]** knob.

4. Turn **[ROTARY]** knob to select "**CANCEL**" or "**ARE U SURE**", and press **[ROTARY]** knob.

CANCEL: cancel deleting the paired device.

ARE U SURE: confirm to delete the paired device.

Notes:

- Deleted paired device will not automatically rearrange in the paired device list.
- After deleting the device, the phone book and the call history records will be deleted too.

Disconnect Device

This option is used to disconnect the currently connected device.

1. Select "**BT DISCON**" in system setup items, and press **[ROTARY]** knob.

2. Press and turn the **[ROTARY]** knob to select "**ARE U SURE**" or "**CANCEL**".

ARE U SURE: confirm to disconnect the paired device.

CANCEL: cancel disconnecting the paired device.

3. Press the **[ROTARY]** knob to confirm.

Auto Answer

This is a setting to determine whether any incoming call will be automatically or manually answered.

* The factory default setting is "**OFF**".

1. Select "**A-ANSWER**" in system setup items.

2. Turn **[ROTARY]** knob to select "**ON**" or "**OFF**".

ON: Any incoming call is automatically answered in 5 seconds.

OFF: User needs to manually answer the call.

Auto Connect

This function allows the Bluetooth to be connected automatically with previously connected device. Connection can be established at any source mode.

* The factory default setting is "**ON**".

1. Select "**A-CONNECT**" in system setup items.

2. Turn **[ROTARY]** knob to select "**ON**" or "**OFF**".

Priority for Phonebook Download

Setting the priority for the phonebook download automatically while pairing.

* The factory default setting is "**DEVICE**".

1. Select "**TEL MEMORY**" in system setup items.

2. Turn **[ROTARY]** knob to select the setting: **DEVICE/SIM**.

DEVICE: Phonebook download from device firstly.

SIM: Phonebook download from SIM card firstly.

Pin Code Setting

This pin code is used during pairing. A maximum of 10 digits can be changed through this unit.

* The factory default pass key is "**1234**".

1. Select "**PIN CODE**" in system setup items.

2. Press **[ROTARY]** knob.

3. Press **[◀◀]** or **[▶▶]** button to move the cursor.

4. Turn **[ROTARY]** knob to select the desired digits.

5. Long press **[ROTARY]** knob to store in memory.

Performing Memory Reset

Reset various settings in the memory.

Note:

The settings will remain in the memory even if you turn the power off.

1. Select "**RESET**" in system setup items, and press **[ROTARY]** knob.

2. Turn **[ROTARY]** knob to select "**CANCEL**" or "**ARE U SURE**", and press **[ROTARY]** knob.

CANCEL: cancel resetting

ARE U SURE: "**CLEARED**" appears in the display, and the memory will be cleared.

Radio Operations

RDS (Radio Data System)

This unit has a built-in RDS decoder system that supports broadcast stations transmitting RDS data. When using the RDS function, always set the radio to FM mode.

If EON (Enhanced Other Network) information is received, this information enables automatic switching of other preset station on the same network and interruption of the station being received with traffic information from other stations(TA).

Listening to the radio

1. Press [**SRC**] button and select the radio mode.
2. Press [**BND**] button and select the radio band in the following order:
FM1 → FM2 → FM3 → AM1 (MW/LW)
→ AM2 (MW/LW) → FM1...

Switching display

Each time you press the [**DISP**] button to change the display.

PS name → PTY name → Clock → Radio text → PS name ...

Notes:

- If there is no PS name, frequency will be displayed.
- If there is no radio text, "NO R-TEXT" will appear in the display.

Manual tuning

Press [**◀◀**] or [**▶▶**] button to manually tune a station.

Seek mode setting

2 types of seek tuning: DX SEEK and LOCAL SEEK.

DX SEEK can automatically tune in to receivable broadcast stations; LOCAL SEEK can tune in to only broadcast stations with a good reception sensitivity.

* The factory default setting is "DX".

1. Select "DX/LO" in system setup items.
2. Turn [**ROTARY**] knob to select a seek mode.

Seek tuning

1. Long press [**◀◀**] or [**▶▶**] button to automatically seek a station.

Recalling a preset station

A total of 30 preset positions (6-FM1, 6-FM2, 6-FM3, 6-AM1, 6-AM2) exists to store individual radio stations in memory. Press the corresponding [**1**]-[**6**] button to recall the stored radio frequency automatically.

Manual store

1. Long press [**1**]-[**6**] button to store the current station into preset memory.

Band scan

Band scan is searching for good reception stations from current frequency to higher frequency repeatedly. When a good reception stations is searched, it will be listened in 7s. And then it continues scan.

1. Press [**BND**] button to select a band.
2. Long press [**BND**] button.

Auto store

Auto store is a function for storing up to 6 stations that are automatically tuned in sequentially. If 6 receivable stations cannot be received, a previously stored station remains unover written at the memory position.

1. Select "AUTO STORE" in system setup items.
2. Long press [**ROTARY**] knob.

The stations with good reception are stored automatically to the preset channels.

- * If auto store is performed in the FM bands, the stations are stored in FM3.
If auto store is performed in the AM bands, the stations are stored in AM2.

AF (Alternative Frequency) function

The AF function switches to a different frequency on the same network in order

Radio Operations

to maintain optimum reception.

- * The factory default setting is "ON".
- 1. Select "AF" in system setup items.
- 2. Turn [ROTARY] knob to select "ON" or "OFF".

REG (Regional programme) function

When the REG function is ON, the optimum regional station can be received. When this function is OFF, if the regional station area switches as you drive, a regional station for that region is received.

- * The factory default setting is "OFF".

Note:

- The REG function ON/OFF setting is valid when the AF function is ON.
1. Select "REG" in system setup items.
 2. Turn [ROTARY] knob to select "ON" or "OFF".

Manually tuning a regional station in the same network

1. This function is valid when the AF function is ON and the REG function is OFF.

Note:

- This function can be used when a regional broadcast of the same network is received.
2. Press any one of [1]–[6] button to call out the regional station.
 3. If the reception condition of the called out station is bad, press [1]–[6] button

CD/MP3/WMA Operations

This unit can play back MP3/WMA files

Note:

- If you play a file with DRM (Digital Rights Management) for WMA remaining ON, no audio is output. Instead, "--:--" will blink for 5s in the play time, and then go to the next track to play.

To disable DRM (Digital Rights Management)

When using Windows Media Player 9/10/11, click on TOOL → OPTIONS → MUSIC RECORD tab, then under

of the same number. The unit receives a local station on the same network.

TA (Traffic Announcement) Interrupt Setting

When a traffic announcement broadcast starts, the traffic announcement broadcast is received as top priority regardless of the function mode so you can listen to it. Traffic programme (TP) automatic tuning is also possible.

- * The factory default setting is "ON".

1. Select "TA" in system setup items.
2. Turn [ROTARY] knob to select "ON" or "OFF".

- * When "TP" is lit, this means that the RDS broadcast station being received has traffic announcement programmes.

PTY Select

- * The factory default setting is "NEWS".

1. Select "PTY" in system setup items.
2. Press [ROTARY] knob.
3. Turn [ROTARY] knob to select a PTY type.

4. Press [◀◀] or [▶▶] button to search for a PTY broadcast.

- * If no station with the selected PTY broadcast can be received, the unit returns to system setup.

Recording settings, unclick the Check box for RECORD PROTECTED MUSIC. Then, reconstruct files.

Personally constructed WMA files are used at your own responsibility.

Precautions when creating MP3/WMA file

Usable sampling rates and bit rates

1. MP3: Sampling rate 8 kHz-48 kHz,
Bit rate 32 kbps-384 kbps/VBR

CD/MP3/WMA Operations

2. WMA: Sampling rate 22.05 kHz-48 kHz, Bit rate 32 kbps-320 kbps/VBR.

File extensions

1. Always add a file extension ".MP3" or ".WMA" to MP3 or WMA file by using single byte letters. If you add a file extension other than specified or forget to add the file extension, the file cannot be played.
2. Files without MP3/WMA data will extension ".MP3" or ".WMA" will not play. Instead, "--:--" will blink in the play time.
 - * When MP3/WMA files are played, a little no sound part is caused between tunes.

Logical format (File system)

1. When writing MP3/WMA file on a CD-R disc or CD-RW disc, please select "ISO9660 level 1, 2 or JOLIET or Romeo" or APPLE ISO as the writing software format. Normal play may not be possible if the disc is recorded on another format.
2. The folder name and file name can be displayed as the title during MP3/WMA play but the title must be within 64 single byte alphabetical letters and numerals (including an extension).
3. Do not affix a name to a file inside a folder having the same name.

Folder structure

A disc with a folder having more than 8 hierarchical levels will be impossible.

Number of files or folders

1. Up to 255 files can be recognized per folder. Up to 255 files can be played.
2. Tracks are played in the order that they were recorded onto a disc. (Tracks might not always be played in the order displayed on the PC.)
3. Some noise may occur depending on the type of encoder software used while recording.

Backup Eject function

Just pressing the [▲] button, ejects the

disc even if ACC OFF.

Notes:

- If you force a CD into before auto reloading, this can damage the CD.
- If a CD (12 cm) is left in the ejected position for 10 seconds, the CD is automatically reloaded (Auto reload).
- If you long press [▲] button to eject the disc (full eject), it can not be automatically reloaded.


Listening to a disc already loaded in the unit

Press the [SRC] button to select "DISC" mode.

Loading a CD

1. Insert a CD into the center of the CD SLOT with the labeled side facing up. The CD plays automatically after loading.

Notes:

- Never insert foreign objects into the CD SLOT.
- If the CD is not inserted easily, there may be another CD in the mechanism or the unit may require service.
- Discs not bearing the  mark and CD-ROMs cannot be played by this unit.
- Some CDs recorded in CD-R/CD-RW mode may not be usable.

Pausing play

1. Press the [▶||] button to pause play.
2. To resume CD play, press the [▶||] button again.

Switching display

This unit can display title data. Each time you press the [DISP] button to change the display.

CD-DA disc

Track No./Playtime → Clock → Disc name
→ Track name → Artist name → Album name
→ Track No./Playtime ...

MP3/WMA disc

Track No./Playtime → Folder No./Track No.
→ Clock → Folder name → File name →
Track name → Artist name → Album name

CD/MP3/WMA Operations

→ Track No./Playtime ...

Note:

- Characters can be displayed: ISO8859-1, ISO646/ASCII, UTF-16 (BOM/BE/LE), UTF-8, Shift_JIS.

Track up/down

1. Press [▶▶] button to the next track.
2. Press [◀◀] button to the previous track if the playtime is within 1s; otherwise it will move ahead to the beginning of the current track.

Fast-forward/Fast-reverse

1. Long press the [▶▶] button to fast-forward.
2. Long press the [◀◀] button to fast-reverse.

Folder up/down

This function allows you to select a folder containing MP3/WMA files and start playing from the first track in the folder.

1. Press [1] button to previous folder.
2. Press [2] button to next folder.

Top function

The top function resets the CD player to the first track of the disc.

1. Press [BND] button (remote control) to play the first track (track No. 1) on the disc.
- * In case of MP3/WMA disc, the first track of a folder being played will be returned.

Browsing function

This function allows you search a file while playing MP3/WMA disc.

1. Press [3] button to enter folder search mode, then press [ROTARY] knob. The folder list appears.
2. Similar operations are repeated until

the track list is displayed.

3. Turn [ROTARY] knob to switch between tracks, then press [ROTARY] knob to confirm selecting.
4. Press [ROTARY] knob to play.
 - * You can press [3] button to cancel the browsing mode during operations.
 - * You can press [DISP] button to return to the previous layer during operations.

Play mode setting

Scan play

- **CD-DA disc** - Play the first 10 seconds of all the tracks recorded on a disc.
 - **MP3/WMA disc** - Play the first 10 seconds of the first track of all the folders on an MP3/WMA disc.
1. Each time you press [5] button:
Scan disc → Scan off

Repeat play

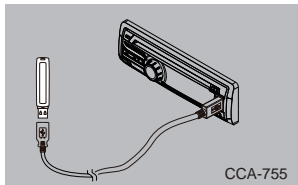
1. Each time you press [6] button:
 - CD-DA disc** - Repeat one → Repeat all
 - MP3/WMA disc** - Repeat one → Repeat folder → Repeat all
 - Repeat one** - Play the current track repeatedly.
 - Repeat folder** - Play all the tracks of the current folder repeatedly.
 - Repeat all** - Play all the tracks of the disc repeatedly.

Random play

1. Each time you press [4] button:
 - CD-DA disc** - Random all → Random off
 - MP3/WMA disc** - Random folder → Random all → Random off
 - Random all** - Play all the tracks of an disc in a random order.
 - Random folder** - Play all the tracks of the current folders in a random order.

USB Operations

1. Open the cover of the USB connector on the right. Insert a USB device into the USB connector.
If 1m extension is necessary, please purchase the optional CCA-755.
When connecting a USB device, the unit will read the files automatically.
2. To remove the USB device, you should first select another source or turn off the power, in order to avoid damaging the USB device. Then take off the USB device. Open the cover to the left.
3. Operations are the same as for MP3/WMA disc operations.

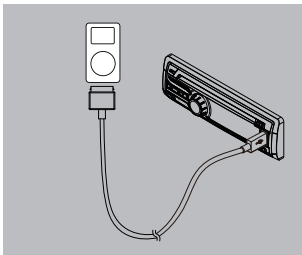


Note:

- Please do not add music files other than ".MP3" or ".WMA" in the USB memory.

iPod Operations

Connect



Connect an iPod/iPhone to the USB connector via USB cable supplied with iPod/iPhone.

When connecting iPod/iPhone, press the **[SRC]** button to switch to iPod mode, then this unit will read the files. The track information display on the screen once playback starts.

For information about compatible models, refer to the following web site:

www.clarion.com

The following operations are the same as for MP3/WMA disc operations.

- **Pausing play**
- **Track up/down**
- **Fast-forward/Fast-reverse**

Switching display

Each time you press the **[DISP]** button to change the display.

Track No./Playtime → Clock → Artist name
→ Album name → Title name → Track No./Playtime ...

Menu operations

1. Press **[3]** button to the previous menu.
Long press **[3]** button to the top menu.
2. Turn **[ROTARY]** knob to switch between items, then press **[ROTARY]** knob to confirm.
 - **Top menu items:**
PLAYLISTS ↔ **ARTISTS** ↔
ALBUMS ↔ **TRACKS** ↔ **GENRES** ↔
COMPOSERS ↔ **AUDIOBOOKS** ↔
PODCASTS
3. Similar operations are repeated until the track list is displayed.
4. Turn **[ROTARY]** knob to switch between tracks, then press **[ROTARY]** knob to select the track to play.
 - * You can press **[DISP]** button to return to the previous layer during operations.

iPod Operations

Database up/down

This function allows you to select a database containing files and start playing from the first track in the database.

1. Press [2] button to next database.
2. Press [1] button to previous database.

Repeat play

Play back one track repeatedly.

1. Each time you press [6] button:
Repeat on → Repeat off → Repeat on ...

Bluetooth Operations (CZ315E only)

Mobile phones and audio devices that support Bluetooth can be connected for use on the unit.

Notes:

- This system will not operate or may operate improperly with some Bluetooth audio players and Bluetooth mobile phones.
- Browse the Clarion website to confirm mobile phone compatibility list.

Bluetooth Pairing

Please pair this unit from your Bluetooth device.

Up to a maximum of 3 Bluetooth devices can be paired.

1. Search for this unit on your device Bluetooth setup menu.
2. Select "CZ-BT" from the pairing list on your Bluetooth device.

For the Device (BT Ver.2.1 Above)

This unit will be paired directly.

For the Device (BT Ver.2.1 Below)

You should enter the pin code to pair.

Notes:

- After paired successfully, the phone book and call histories will be downloaded into this unit automatically.
- Up to a maximum of 500 telephone numbers can be registered.

Random play

1. Each time you press [4] button:
Random on → Album random →
Random off → Random on...

Random on- Play all tracks within a selected category, in random order. (Corresponds to "Shuffle (Songs)" command on iPod.)

Album random - Play all albums within a selected category, in random order. (Corresponds to "Shuffle (Albums)" command on iPod.)

Bluetooth Audio Operations

The following operations are the same as for CD mode:

- Pausing Play
- Selecting a track
- Fast-forward/Fast-reverse

Switch to Bluetooth Audio Mode

Press the [SRC] button to switch to "BT AUDIO" mode.

Switching Display

Each time you press the [DISP] button to change the display.

BT Device name → Clock → Title name →
Artist name → Album name → BT Device name ...

Bluetooth Telephone Operations

Switch to Bluetooth Telephone Mode

Press the [SRC] button to switch to "BT -TEL" mode.

Make Outgoing Call

There are 3 ways to make outgoing call.

- You can press [∨] button to hang up during calling.
- You can press [ROTARY] knob during calling, the mic will be muted. Press it again will cancel mute.

Call from Phonebook

User can search the contact name in the

Bluetooth Operations (CZ315E only)

phonebook and make call.

Alternatively, user can call from mobile phone.

1. Press [**BND**] button to select "**PHONE BOOK**".
2. Press [**ROTARY**] knob to enter the contact name list (in this case, turn [**ROTARY**] knob to select the desired contact name).
3. Press [**ROTARY**] knob to enter the phone number list.
4. If there are more than one phone No. of the contact name, press [**◀◀**] or [**▶▶**] button to select a phone No.
5. Press the [**ROTARY**] knob to call the mobile phone No.

• Dialed&Missed Call History

You can search the latest 10 dialed&missed call history.

1. Press the [**BND**] button.
2. Press [**◀◀**] or [**▶▶**] button to select "**REDIALS**".
3. Press [**ROTARY**] knob to enter the dialed&missed call list.
4. Turn [**ROTARY**] knob to select a call history.
5. If the phonebook has been downloaded, you should press [**ROTARY**] knob to display the phone No.

6. Press [**ROTARY**] knob to call the mobile phone No.

• Received Call History

You can search the latest 10 received call history.

1. Press the [**BND**] button
2. Press [**◀◀**] or [**▶▶**] button to select to select "**RECEIVED**".
3. Press [**ROTARY**] knob to enter the received call list.
4. Turn [**ROTARY**] knob to select a call history.
5. If the phonebook has been downloaded, you should press [**ROTARY**] knob to display the phone No.
6. Press [**ROTARY**] knob to call the mobile phone No.

Answering a call

You can answer an incoming call by pressing [**DISP**] button.

- * Press the [**↵**] button to reject an incoming call.

Switch to the secret call

Press the [**BND**] button to switch to the secret call mode.

- * When you switch to the secret call mode, you will not hear the call from this unit and only can hear it from your mobile phone.

AUX Operations

AUX function

This system has an external input jack on the front panel so you can listen to sounds and music from external devices connected to this unit.

Selecting AUX IN sensitivity

Make the following settings to select the

sensitivity when sounds from external devices connected to this unit are difficult to hear even after adjusting the volume.

- * The factory default setting is "**MID**".
1. Select "**AUX SENS**" in system setup items.
 2. Turn the [**ROTARY**] knob to select "**HIGH**", "**MID**" or "**LOW**".

5. TROUBLESHOOTING

General

Problem	Cause	Measure
Power cannot be turned on.	Fuse is blown.	Replace with a fuse of the same amperage. If the fuse blows again, consult your dealer.
	Incorrect wiring.	Consult your dealer.
No sound output when operating the unit with amplifiers or power antenna attached.	Power antenna lead is shorted to ground or excessive current is required for remote-on the amplifiers or power antenna.	<ol style="list-style-type: none"> 1. Turn the unit off. 2. Remove all wires attached to the power antenna lead. Check each wire for a possible short to ground using an ohm meter. 3. Turn the unit back on. 4. Reconnect each amplifier remote wire to the power antenna lead one by one. If the amplifiers turn off before all wires are attached, use an external relay to provide remote-on voltage (excessive current required).
Nothing happens when buttons are pressed. Display is not accurate.	DCP or main unit connectors are dirty.	Wipe the dirt off with a soft cloth moistened with cleaning alcohol.
No sound heard	The speaker protection circuit is operating.	<ol style="list-style-type: none"> 1. Turn down sound volume. Function can also be restored by turning the power off and on again. (Speaker volume is reduced automatically when the speaker protection circuit operates). 2. If the sound is muted again, consult our service department.

Disc Player

Problem	Cause	Measure
No sound heard	MP3/WMA files are absent in a disc.	Write MP3/WMA files onto the disc properly.
	Files are not recognized as an MP3/WMA file.	Use MP3/WMA files encoded properly.
	File system is not correct.	Use ISO9660 level 1, 2 or JOLIET or Romeo or APPLE ISO file system.

Problem	Cause	Measure
Sound skips or is noisy.	Compact disc is dirty.	Clean the compact disc with a soft cloth.
	Compact disc is heavily scratched or warped.	Replace with a compact disc with no scratches.
Sound is cut or skipped.	MP3/WMA files are not encoded properly.	Use MP3/WMA files encoded properly.
Sound is bad directly after power is turned on.	Water droplets may form on the internal lens when the car is parked in a humid place.	Let dry for about 1 hour with the power on.
Wrong filename	File system is not correct.	Use ISO9660 level 1, 2 or JOLIET or Romeo or APPLE ISO file system.

USB Devices

Problem	Cause	Measure
No sound heard	The device contains no MP3/WMA files.	Record MP3/WMA files properly to the device.
	The files are not proper MP3/WMA format.	Use only properly encoded MP3/WMA files.
Sound is interrupted or has noise.	The MP3/WMA files are improperly encoded.	Use only properly encoded MP3/WMA files.
The device isn't recognized.	The device is damaged.	Disconnect the device and reconnect. If the device is still not recognized, try replacing with a different device.
	Connectors are loose.	
Can't insert the device.	The device has been inserted improperly.	Try reversing the connection direction of the device (usually the brand name surface should be facing left).
	The connector is broken.	Replace with a new device.

Bluetooth

Problem	Cause	Measure
Cannot pair the Bluetooth enabled device with the car audio system.	The device does not support the profiles required for the system.	Use another device to pair.
	The Bluetooth function of the device is not enabled.	Refer to the user manual of the device for how to enable the function.

Problem	Cause	Measure
The Bluetooth hands-free audio quality is not improved after connection with a Bluetooth-enabled device.	The external microphone is not set correctly nor properly positioned.	Adjust the gain and position of the external microphone. For example, stick the microphone onto the dashboard so it is close to the driver.

6. ERROR DISPLAYS

If an error occurs, one of the following displays is displayed.
Take the measures described below to eliminate the problem.

	Error Display	Cause	Measure
Disc Play	CD MECHA ERROR	This is a failure of CD deck's mechanism.	Eject the disc then reload it.
	DISC ERROR	A CD cannot be played due to scratches, etc.	Replace with a non-scratched, non-warped-disc.
		A CD is loaded upside-down inside the CD deck and does not play.	Eject the disc then reload it properly.
	NO FILE	No MP3/WMA file is recorded in the device.	Record MP3/WMA files in the device.
USB	USB ERROR	Protocol or File system is not correct.	Replace with a USB device in correct protocol or file system.
	NO DEVICE	No connection or the connection is loose.	Reconnect the device.
	NO FILE	No MP3/WMA file is stored in the device.	Store MP3/WMA files in the device.
	HUB NOT SUPPORT	The HUB devices are not supported.	Do not use the HUB devices.
	DEVICE NOT SUPPORT	The connected USB is not supported.	Connect the other supported device.
iPod	IPDNOCTE	The connected iPod is not recognized.	Reconnect the device.
	NO FILE	Select a Playlist/Container with no file.	Store files in the device.
		No file is stored in the device.	Store files in the device.

If an error display other than the ones described above appears, restart this unit. If the problem persists, turn off the power and consult your store of purchase.

7. SPECIFICATIONS

Radio section

Receiving Frequencies:

FM : 87.50 to 108.00 MHz (0.05 MHz steps)

MW : 531 to 1,602 kHz (9 kHz steps)

LW : 153 to 279 kHz (9 kHz steps)

CD player section

System: Compact disc digital audio system

Frequency Response (Pre-out):

17 Hz to 20 kHz (± 1 dB)

Signal to Noise Ratio (Pre-out):

more than 85 dB (1 kHz)

Distortion (Pre-out): less than 0.05%

MP3/WMA

MP3: Sampling rate 8 kHz-48 kHz,

Bit rate 32 kbps-384 kbps / VBR

WMA: Sampling rate 22.05 kHz-48 kHz,

Bit rate 32 kbps-320 kbps / VBR

Logical format:

ISO9660 level 1, 2 Joliet file system

USB

Specification: USB 2.0

Playable audio format:

MP3(.MP3): MPEG 1/2/2.5 Audio Layer-3

MPEG 1/2 Audio Layer-2

WMA(.wma): Ver 9.2

Bluetooth (CZ315E only)

Specification:

Bluetooth Ver. 2.1 + EDR

Profile:

HFP (Hands-Free Profile): Ver. 1.5

A2DP (Advanced Audio Distribution

Profile): Ver. 1.2

AVRCP (Audio/Video Remote Control

Profile): Ver. 1.3

PBAP (Phone Book Access Profile)

General

Output Power:

25 W X 4 (DIN 45324, +B=14.4V)

Max Power: 50W X 4

Pre-out: 2V

Power Supply Voltage:

14V DC , negative ground

Power Consumption: Less than 15 A

Speaker Impedance:

4 Ω (4 to 8 Ω allowable)

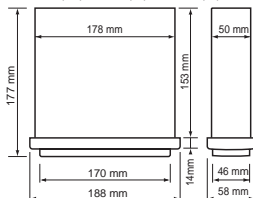
Weight of Main unit:

1.06 kg (CZ215E)

1.07 kg (CZ315E)

Dimensions of Main unit:

188 (W) X 58 (H) X 177 (D) mm



Note:

- Specifications and design are subject to change without notice for further improvement.

**English:**

Declaration of conformity
We Clarion declares that this model CZ215E/CZ315E is following the provision of Directive 1999/5/EC&2011/65/EU with the essential requirements and the other relevant regulations.

Français:

Déclaration de conformité Nous, Clarion, déclarons que ce modèle CZ215E/CZ315E est conforme aux exigences essentielles et aux autres dispositions pertinentes de la directive 1999/5/CE et 2011/65/UE.

Deutsch:

Konformitätserklärung
Wir, Clarion, erklären, dass diese Modell CZ215E/CZ315E den Bestimmungen der Richtlinie 1999/5/EG und 2011/65/EU im Hinblick auf die grundlegenden Anforderungen und andere relevante Bestimmungen entspricht.

Italiano:

Dichiarazione di conformità
Clarion dichiara che il presente modello CZ215E/CZ315E è conforme ai requisiti essenziali li e alle altre disposizioni pertinenti stabiliti dalla direttiva 1999/5/CE e 2011/65/UE.

Nederlands:

Conformiteitsverklaring
Clarion verklaart dat het model CZ215E/CZ315E in overeenstemming is met de essentiële eisen en andere relevante voorschriften van de bepalingen van Richtlijn 1999/5/EC en 2011/65/EU.

Español:

Declaración de conformidad
Clarion declara que este modelo CZ215E/CZ315E cumple con los requisitos esenciales y otras disposiciones aplicables descritos en la Directiva 1999/5/CE y 2011/65/UE.

Svenska:

Intyg om överensstämmelse
Härmed intygar Clarion att denna modell CZ215E/CZ315E uppfyller kraven idirektiv 1999/5/EG och 2011/65/EU gällande väsentliga egenskaper och övriga relevanta bestämmelser.

Polski:

Deklaracja zgodności Firma Clarion niniejszym oświadcza, że model CZ215E/CZ315E jest zgodny z istotnymi wymogami oraz innymi odpowiednimi postanowieniami Dyrektywy 1999/5/WE i 2011/65/UE.

Ελληνικά:

Δήλωση συμμόρφωσης
Εμείς στην Clarion δηλώνουμε ότι αυτό το μοντέλο CZ215E/CZ315E τηρεί τις διατάξεις της Οδηγίας 1999/5/ΕΚ και 2011/65/ΕΕ σχετικά με τις ουσιώδεις απαιτήσεις και τους άλλους σχετικούς κανονισμούς.

Русский:

Декларация о соответствии Компания Clarion заявляет о соответствии модели CZ215E/CZ315E основным требованиям и другим соответствующим нормам директивы 1999/5/ЕС и 2011/65/ЕС.

Authorized Representative
Clarion Europe S.A.S.
244 rue du Pré à Varois, 54670 Custines, France

Clarion Co., Ltd.

All Rights Reserved. Copyright © 2015: Clarion Co., Ltd.

Printed in Thailand/Imprimé en Thaïlande/Gedruckt in Thailand/
Stampato in Thailandia/Afgedrukt in Thailand/Impreso en Tailandia/

Tryckt i Thailand/Wydrukowano w Tajlandii/Τυπωθηκε στην Ταϊλάνδη/Напечатано в Таиланде