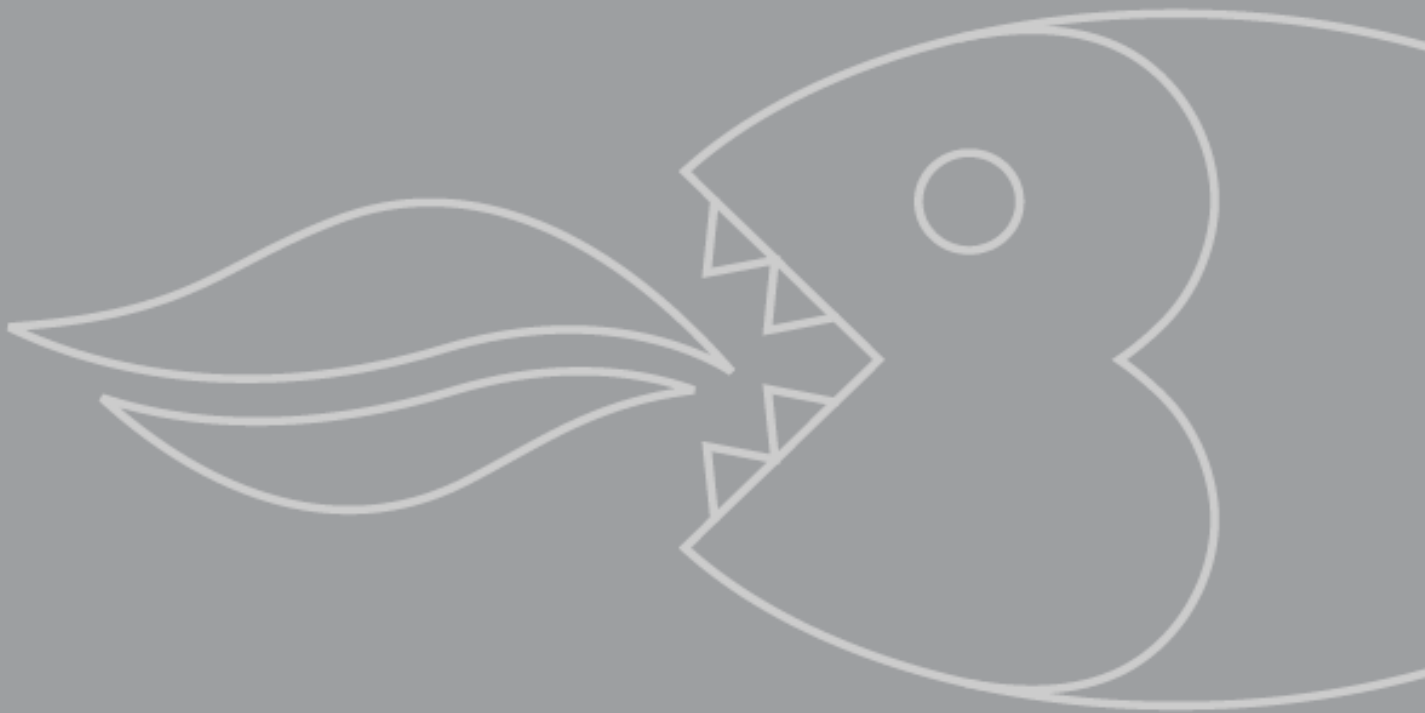


**BKH61SS, BKH600GLS  
60 cm  
BKH91SS, BKH900GLS,  
BKHISL900SS  
90 cm Range Hoods**

# INSTRUCTION MANUAL



User Manual for your Baumatic

**BKH61SS, BKH600GLS**

**60 cm**

**BKH91SS, BKH900GLS,**

**BKHISL900SS**

**90 cm**

**Range Hoods**



***NOTE: This User Instruction Manual contains important information, including safety & installation points, which will enable you to get the most out of your appliance. Please keep it in a safe place so that it is easily available for future reference; for you or any person not familiar with the operation of the appliance.***


<b>Environmental note</b>	4
<b>IMPORTANT SAFETY INFORMATION</b>	5 – 7
<b>Specifications of your range hood</b>	8 – 13
BKH61SS	8
BKH600GLS	9
BKH91SS	10
BKH900GLS	11
BKHISL900SS	12
<b>Using your range hood</b>	13 - 16
Before first use	13
To use your range hood	13 – 14
Setting the time of day	14
Turning ON/OFF the hood lights	14 – 15
Switching on the appliance and setting a power level	15
Using the timer function	15 - 16
<b>Cleaning your range hood</b>	17
General cleaning	17
The grease filters	17
<b>Maintenance</b>	18 - 21
Removing and cleaning the grease filters	18
Changing a light bulb	19 - 20
Fitting the S1 carbon filters	20 - 21
<b>Installation</b>	21 - 33
Electrical connection	21 - 22
Before beginning installation	22 – 23
Installing your range hood	
Positioning	17 - 18
Installing your range hood (BKH61SS, BKH91SS, BKH600GLS, BKH900GLS)	23 - 26
Connecting the external ducting	26
Fitting the chimney	26 – 28
Positioning (BKHISL900SS)	29 – 33
Installation (BKHISL900SS)	30 - 33
<b>Extraction mode or recirculation mode?</b>	33 - 34
<b>Troubleshooting</b>	34 - 35
<b>Warranty card</b>	36 - 37

## ENVIRONMENTAL NOTE

*Note: Before discarding an old appliance, switch off and disconnect it from the power supply. Cut off and render any plug useless. Cut the cable off directly behind the appliance to prevent misuse. This should be undertaken by a competent person.*

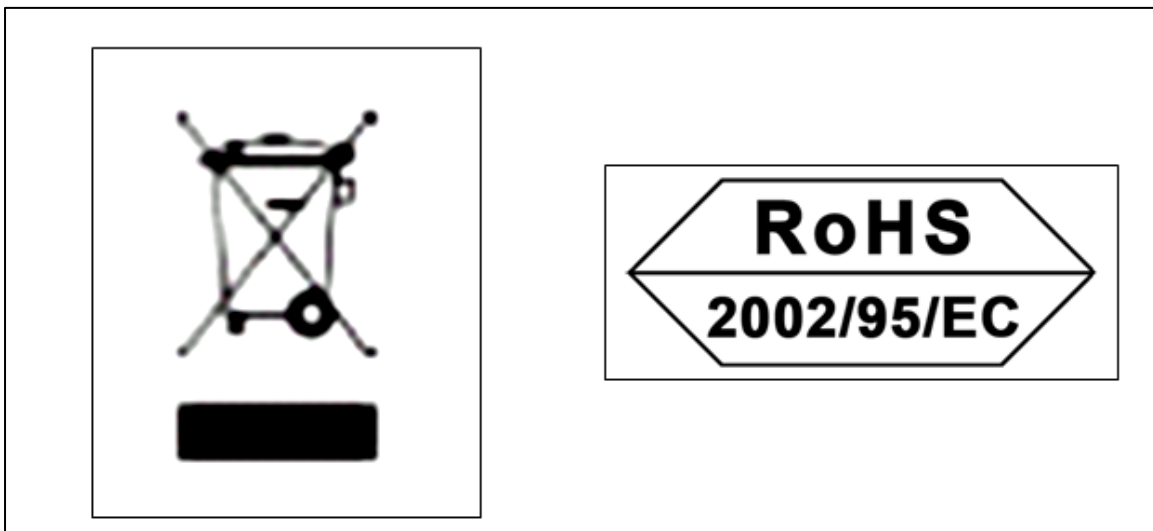
### CONFORMITY TO W.E.E.E. DIRECTIVE

**This appliance is marked according to the European directive 2002/96/EC on Waste electrical and Electronic Equipment (WEEE). By ensuring this product is disposed of correctly, you will help prevent potential negative consequences for the environment and human health, which could otherwise be caused by inappropriate waste handling of this product.**

The symbol  on the product, or on the documents accompanying the product, indicates that this appliance may not be treated as household waste. Instead it shall be handed over to the applicable collection point for the recycling of electrical and electronic equipment.

**Disposal must be carried out in accordance with local environmental regulations for waste disposal.**

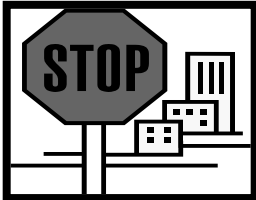
**For more detailed information about treatment, recovery and recycling of this product, please contact your local city office, your household waste disposal service or the shop where you purchased the product.**



## IMPORTANT SAFETY INFORMATION



Your safety is of the utmost importance to Baumatic. Please make sure that you read this instruction booklet **before** attempting to install or use the appliance. If you are unsure of any of the information contained in this booklet, please contact the Retailer where you purchased your unit from.



**IMPORTANT: Any installation work must be carried out by a suitably qualified person.**

- The hood must be installed in accordance with the installation instructions and all measurements followed.
- If the range hood is installed for use above a gas appliance then the provision for ventilation must be in accordance with the Gas standard NZS 5261:2003.
- It is dangerous to alter the specifications or to modify this product. Do not tamper with it or attempt to modify the appliance in any way.
- When installing the hood, ensure that the following recommended distances are observed between the highest point on the hob top (including the burners) and the bottom of the cooker hood:

- **Electric cookers:** 750 mm
- **Gas cookers:** 750 mm
- **Coal/ oil cookers:** 800 mm



**IMPORTANT: DO NOT SET YOUR RANGE HOOD LESS THAN 750mm ABOVE YOUR COOKER.**

- When installed between adjoining wall cabinets, the cabinets must not overhang the hob.
- The edges of the range hood are sharp – be mindful of this as you handle your appliance, especially during installation and cleaning. **DO NOT CLEAN IN BEHIND THE GREASE FILTERS!**

- If the room where the range hood is to be used contains a fuel burning appliance such as a central heating boiler then its flue must be of the sealed or balanced flue type.
- If other types of flue or appliances are fitted, ensure that there is an adequate supply of air in the room.
- When the hood is being used in its extractor function, ensure that the ducting is fire retardant and that there are no bends sharper than 90 degrees as this will reduce the efficiency of the hood.
- Ensure the ducting for the extractor function has the same diameter as the outlet hole all the way through.

- Keep young children from using, playing with or tampering with the range hood. Older children and infirm persons should be supervised if they are using the range hood.



- Your range hood is for domestic use only.

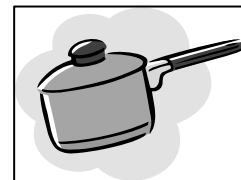


- Please dispose of the packing material carefully – children are especially vulnerable to it.

- Dirty oil is an even greater fire risk.



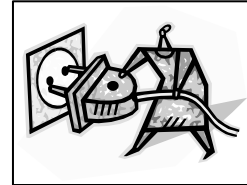
- Always put lids on pots and pans when cooking on a gas cooker.



- The manufacturer refuses to accept any responsibility for damages arising to the hood or it catching on fire, from a failure to observe the fire safety advice contained in this instruction booklet.
- Remember that when in extraction mode, your range hood is removing air from your room. Ensure that proper ventilation measures are being observed.

○ **Note that it removes odours from your room, not steam.**

○ **Warning - Always ensure that the range hood has been disconnected from the power supply before carrying out any work on the hood, including replacing light bulbs.**



○ Do not connect the ducting system of this appliance to any existing ventilation system which is being used for any other purpose.

○ Do not install above a cooker with a high level grill.

○ Never leave frying pans unattended during use as overheated fats and oils might catch fire.



○ The lights on this appliance should only be used during operation of the range hood. They should not be left on permanently and used as a lighting source.

○ The range hood should not be exposed to a direct heat source from the cooking device underneath it, i.e. naked flame from a gas burner or heat from electric hob zones **without** a pan on them.

○ Do not attempt to use the range hood if it is damaged in any way. Never attempt to use it without the grease filters fitted or if the filters are excessively greasy!

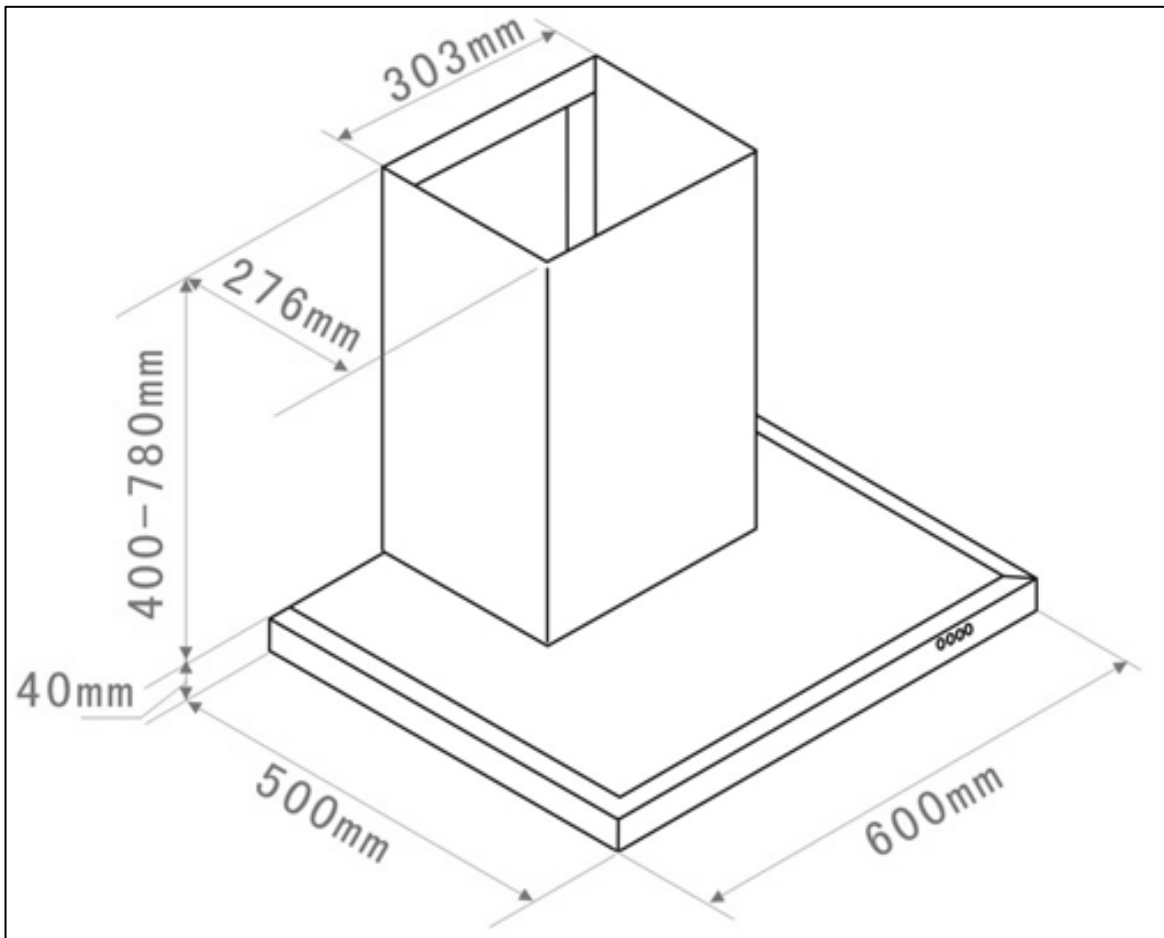
○ Never flambé cook under this range hood.

**THE MANUFACTURER DECLINES ALL RESPONSIBILITY IN THE EVENT OF FAILURE TO OBSERVE THE INSTRUCTIONS GIVEN HERE, FOR INSTALLATION, MAINTENANCE AND SUITABLE USE OF THE HOOD.**



## Specifications of your range hood

**BKH61SS**



### PRODUCT DIMENSIONS

Height: 400 mm \* – 780 mm  
Width: 600 mm  
Depth: 500 mm

### DIMENSIONS OF CHIMNEY SECTION

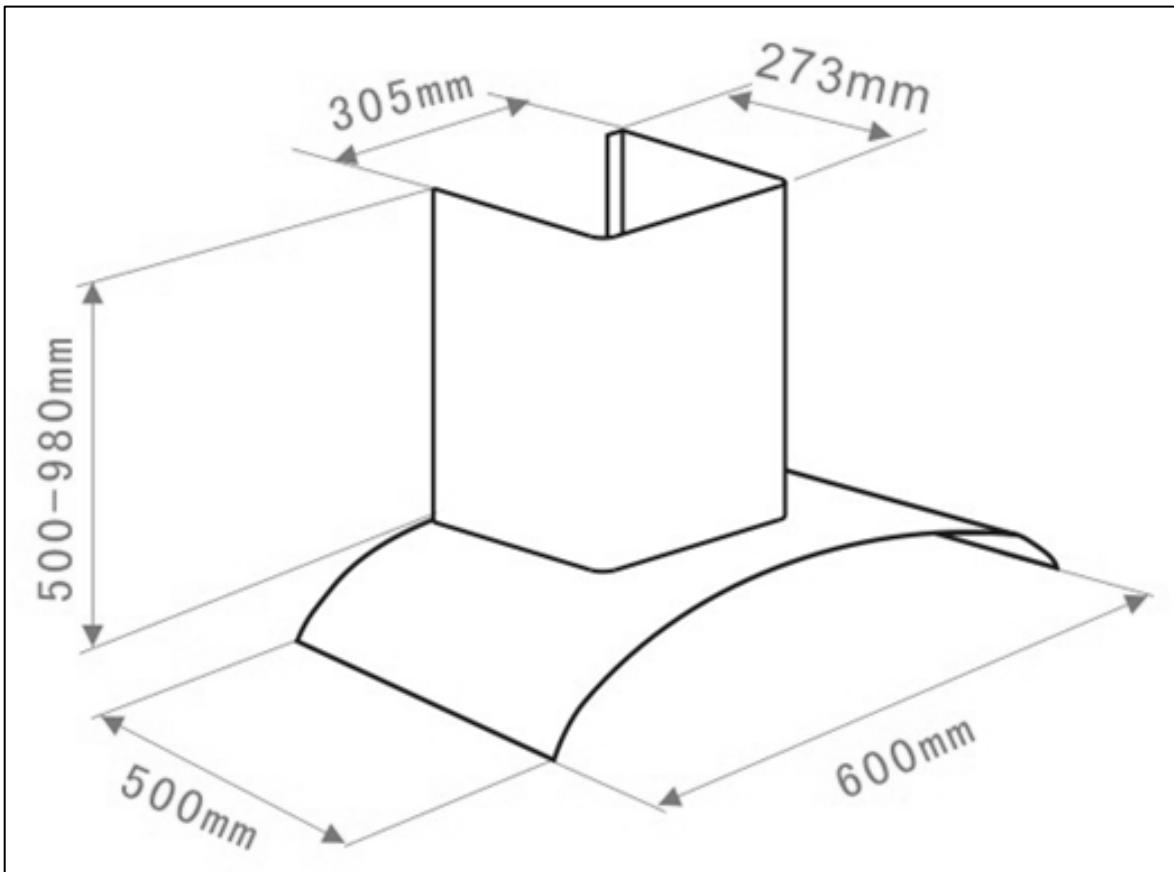
276 mm x 303 mm

- Tangential motor
- Electronic pushbutton operation
- 3 x Speeds
- 2 x Aluminium grease filters
- 2 x LED lights
- Noise level: 61 / 63 / 66 dB
  
- **Extraction capacity: 500 m<sup>3</sup>/hr**



- **Optional extra: 1 x pair S1 carbon filters required for recirculation mode**

## **BKH600GLS**



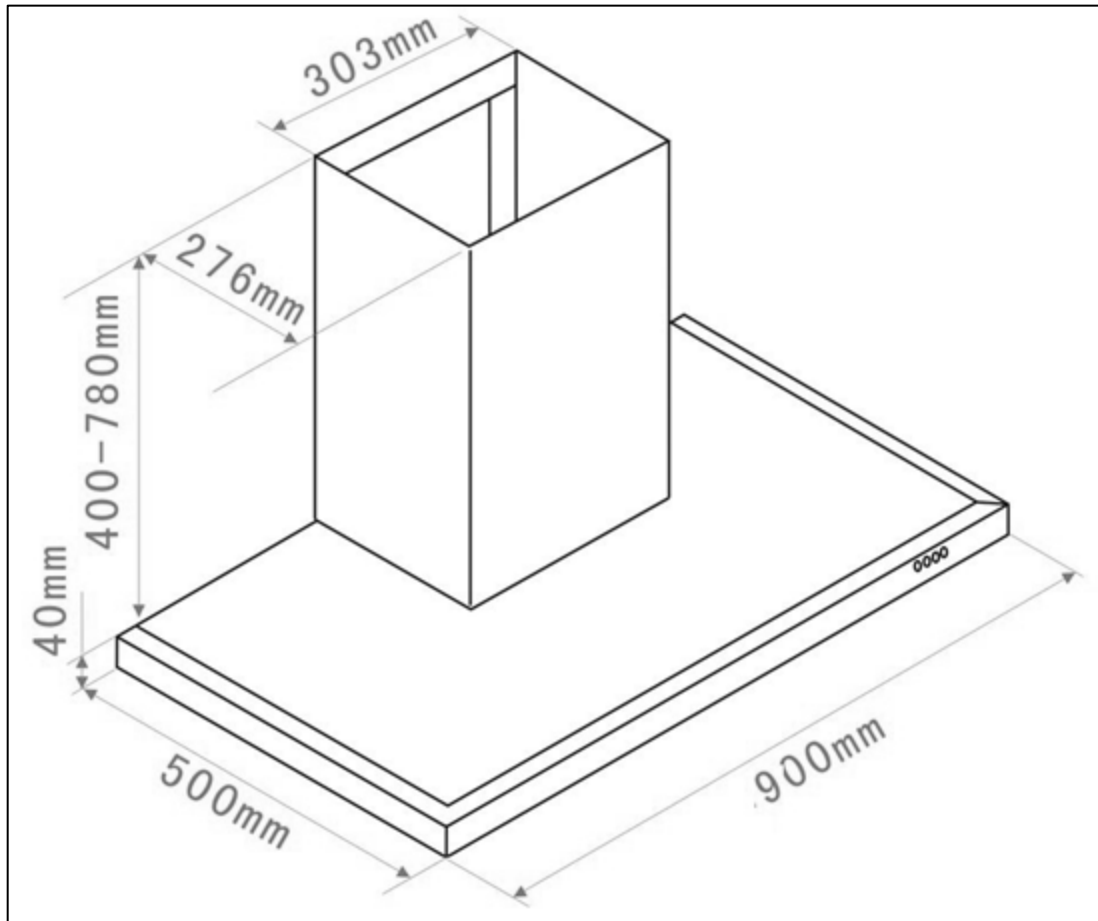
### **PRODUCT DIMENSIONS**

Height: 500 mm \* – 980 mm  
Width: 600 mm  
Depth: 500 mm

### **DIMENSIONS OF CHIMNEY SECTION**

273 mm x 305 mm

- Tangential motor
- Electronic pushbutton operation
- 3 x Speeds
- 1 x Aluminium grease filter
- 2 x LED lights
- Noise level: 61 / 63 / 66 dB
- **Extraction capacity: 500 m<sup>3</sup>/hr**
- **Optional extra: 1 x pair S1 carbon filters required for recirculation mode**



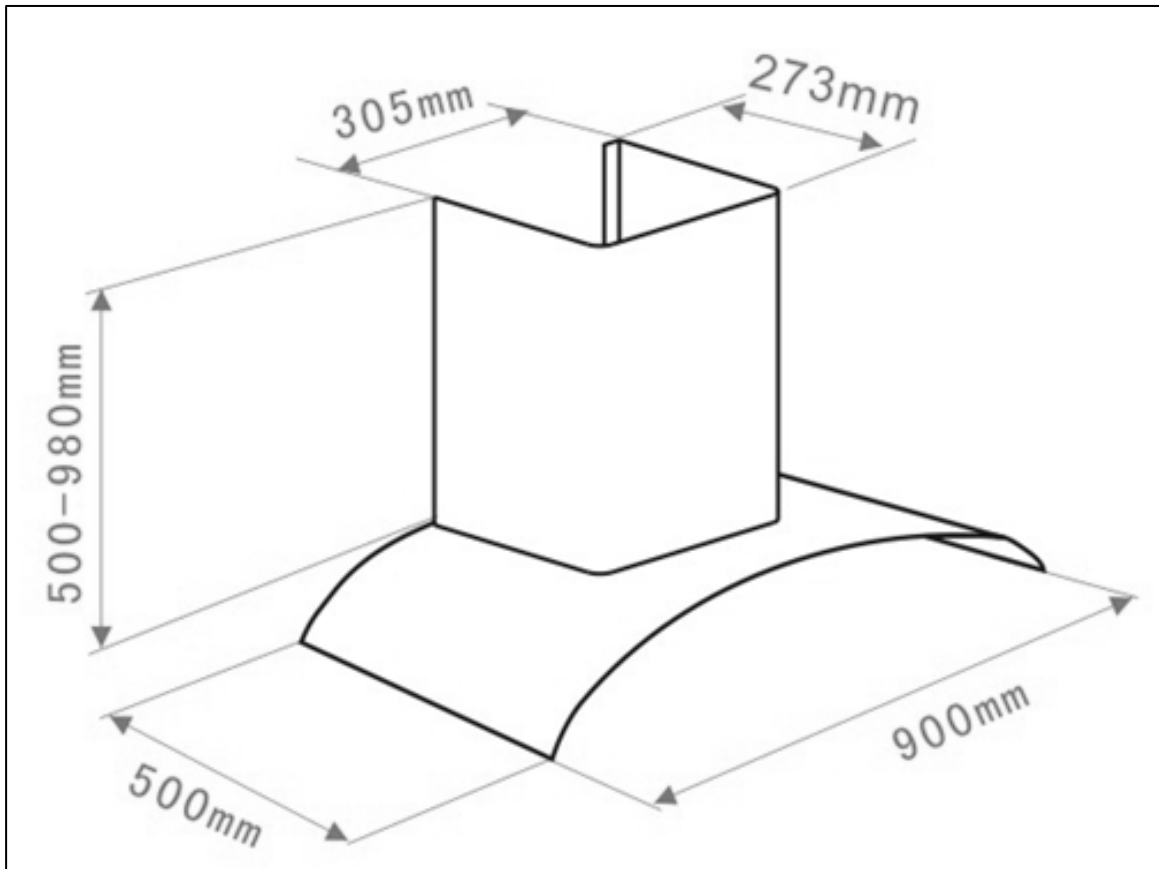
### PRODUCT DIMENSIONS

Height: 400 mm \* – 780 mm  
Width: 900 mm  
Depth: 500 mm

### DIMENSIONS OF CHIMNEY SECTION

276 mm x 303 mm

- Tangential motor
- Electronic pushbutton operation
- 3 x Speeds
- 3 x Aluminium grease filters
- 2 x LED lights
- Noise level: 61 / 65 / 68 dB
  
- **Extraction capacity: 1000 m<sup>3</sup>/hr**
- **Optional extra: 1 x pair S1 carbon filters required for recirculation mode**



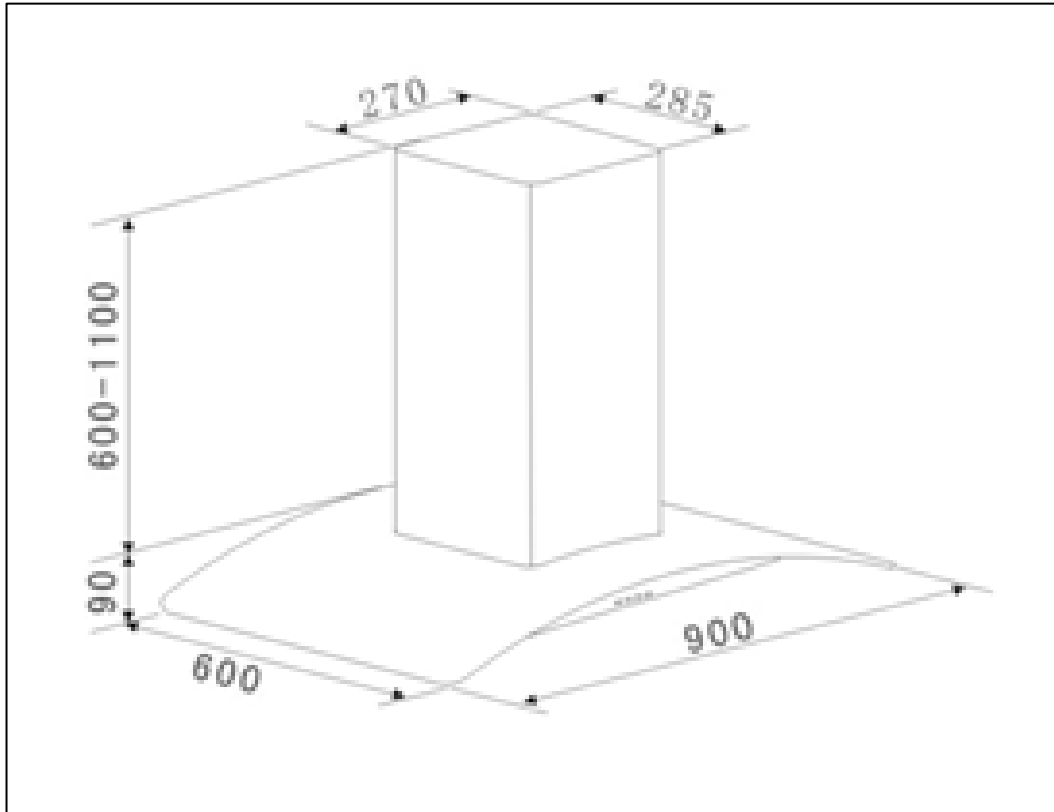
### PRODUCT DIMENSIONS

Height: 500 mm \* – 980 mm  
Width: 900 mm  
Depth: 500 mm

### DIMENSIONS OF CHIMNEY SECTION

273 mm x 305 mm

- Tangential motor
- Electronic pushbutton operation
- 3 x Speeds
- 2 x Aluminium grease filters
- 2 x LED lights
- Noise level: 61 / 65 / 68 dB
  
- **Extraction capacity: 1000 m<sup>3</sup>/hr**
- **Optional extra: 1 x pair S1 carbon filters required for recirculation mode**



### PRODUCT DIMENSIONS

Height: 600 mm \* – 1100 mm  
Width: 900 mm  
Depth: 600 mm

### DIMENSIONS OF CHIMNEY SECTION

270 mm x 285 mm

- Tangential motor
- Electronic pushbutton operation
- 3 x Speeds
- 2 x Aluminium grease filters
- 4 x LED lights
- Noise level: 61 / 65 / 68 dB
  
- **Extraction capacity: 1000 m<sup>3</sup>/hr**
- **Optional extra: 1 x S1 Carbon filter required for recirculation mode**

## Using your range hood

### Before first use

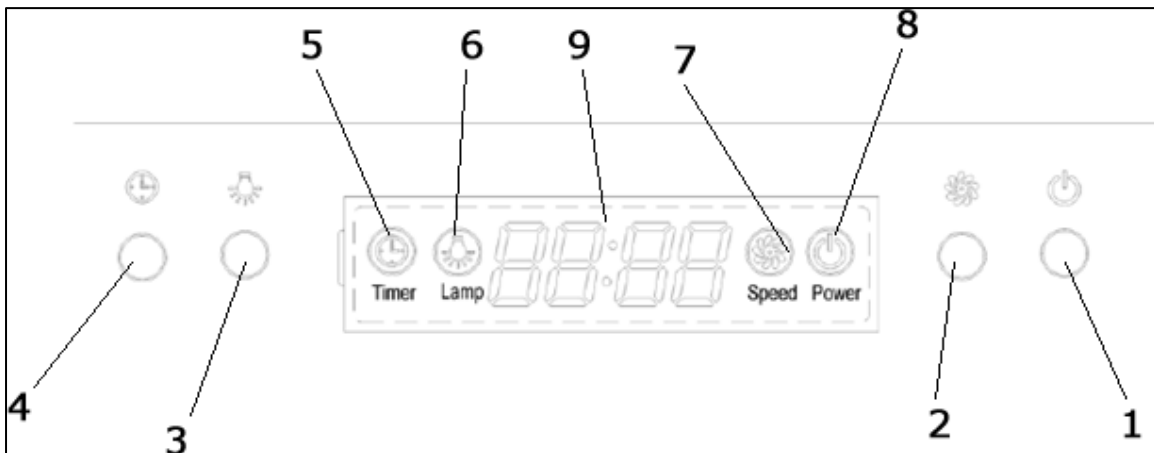


**IMPORTANT: THIS PROCESS MUST BE FOLLOWED BEFORE THE RANGE HOOD IS USED FOR THE FIRST TIME.**

- You should use a good quality stainless steel cleaner and polish on ALL of the stainless steel areas of your range hood, before it is used for the first time.
- This will help to leave a silicone water-resistant film to protect the stainless steel surfaces.

### To use your range hood

- Make sure that it has been installed by a suitably qualified person, as per the information contained in the manufacturer's installation instructions.
- Find the control panel, which is located at the front of the canopy.
- There are several buttons on the control panel, which perform separate functions.



- 1) Power button
- 2) Speed control button
- 3) Light control button
- 4) Timer button
- 5) Timer symbol

- 6) Lamp symbol
- 7) Speed symbol
- 8) Power symbol
- 9) Display

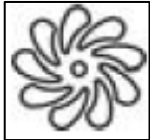
- When you first connect your range hood to the power supply, the display **(9)** will show "88:88" and the backlight will turn on.
- The backlight will turn off automatically after 30 seconds if no buttons are pressed.

### Setting the time of day

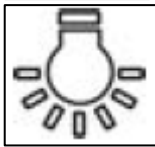
- Before pressing the light control button **(3)** and the speed control button **(2)** you should set the time of day.



- Press and hold the timer button **(4)** for about 3 seconds to enter the time setting mode. The display **(9)** will show "12:00" and the hour digits will flash.



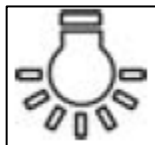
- Repeatedly press the speed control button **(2)** to increase the number of hours shown on the display. You can also use the light control button **(3)** to decrease the number of hours shown. The maximum number of hours that you can set is 23.



- When the correct number of hours shows on the display, press the timer button **(4)** again to confirm. The number of minutes on the display will flash "00".

- Use the speed control button **(2)** to increase the number of minutes and the light control button **(3)** to decrease the number of minutes shown. The maximum number of minutes that you can set is 59.
- When the correct time of day is shown on the display, press the timer button **(4)** to confirm.

### Turning ON/OFF the hood lights



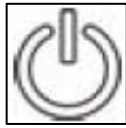
- Press the light control button **(3)** once to turn the range hood lights on. The lamp symbol **(6)** will light on the display **(9)**.



- To turn the hood lights off, press the light control button **(3)** again and the lights will go off. The lamp symbol **(6)** will no longer be lit on the display.

**IMPORTANT:** The hood lights should only be turned on when the hood is in use and should not be used as a separate lighting source or kept on for long periods of time.

## Switching on the appliance and setting a power level



- Press the power button **(1)** once to turn the range hood on.



- You can then use the speed control button **(2)** to set the required speed of the motor. One press of this button will set the hood to power level 1 which is a LOW motor speed. The speed symbol **(7)** will light on the display **(9)**.



- Two presses of this button will set the hood to power level 2 which is a MEDIUM motor speed and three presses will set power level 3 which is a HIGH motor speed. A fourth press of the button will change the motor speed to power level 1 again.



- To turn the appliance off, press the power button **(1)** again.

**IMPORTANT:** When you turn the range hood on again, the appliance will continue on the motor speed which was selected during the previous use.



**IMPORTANT: IDEALLY YOU SHOULD TURN ON YOUR HOOD TEN MINUTES BEFORE YOU START TO COOK, OR AT THE VERY LEAST WHEN YOU BEGIN COOKING. YOU SHOULD ALSO RUN YOUR HOOD FOR TEN MINUTES AFTER YOU HAVE FINISHED COOKING.**

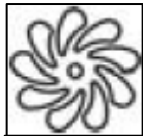
## Using the timer function

- You are able to program a working time for the range hood. After the set time has elapsed, the hood will switch off automatically. You should set the working time before choosing a motor speed.

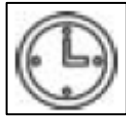
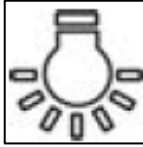


- Press the timer button **(4)** once to enter the timer program mode. The display **(9)** will show "05:00" which is the minimum time that can be

set.



- Use the speed control button **(2)** to increase the time in 1 minute intervals and the light control button **(3)** to decrease the time in 1 minute intervals. The maximum time that can be set is "60:00".



display.

- When the required working time is shown on the display, press the timer button **(4)** to confirm. The remaining working time will be shown on the



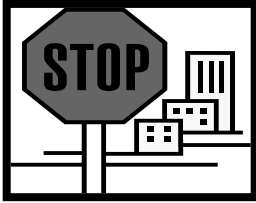
- You can then proceed to select a motor speed using the speed control button **(2)**.

- When the programmed working time has passed and the display shows "00:00", the range hood will automatically stop working. ***If the hood lights have been turned on they will remain on and will need to be switched off manually.***
- If no buttons are pressed within 30 seconds, the backlight of the display will automatically turn off.

***IMPORTANT:*** The next time you go to set the timer function, after pressing the timer button **(4)** if you don't program a working time within 5 seconds the timer will automatically set the working time from the previous use.



## Cleaning your range hood



**IMPORTANT: BEFORE CLEANING, ALWAYS ENSURE THAT YOU HAVE SWITCHED YOUR RANGE HOOD OFF AT THE OMNI-POLAR SWITCH, SET AT THE WALL FROM THE CABLE.**

### Cleaning

- Clean the external parts of your range hood with mild liquid detergent and a new damp cloth.
- Never use abrasive powder, corrosive solvents or brushes.
- You should use a good quality stainless steel cleaner and polish on ALL of the stainless steel areas of your range hood
- Never insert pointed objects into the motor's protective grid.
- Only clean the control panel and grease filter grill with mild liquid detergents and a new damp cloth.
- If you are using the appliance in recirculation mode, then be sure to replace the carbon filter at the recommended interval (see section on "Fitting the carbon filter"). A build up of grease could cause a fire hazard.
- Never attempt to clean the area above the grease filters.

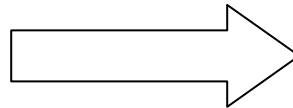
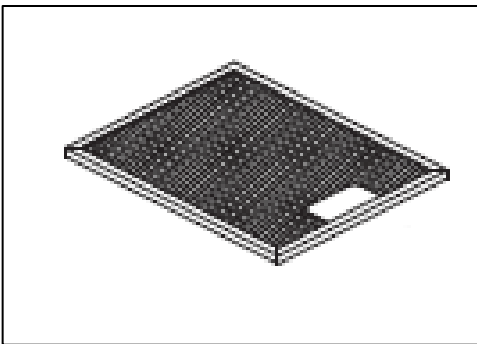
### The grease filters

- Your range hood includes grease filters which help to absorb grease particles to protect your kitchen and furniture from greasy residues.
- The aluminium filters may become inflammable if they become saturated with this greasy residue.
- To prevent this fire hazard, the filters should be cleaned regularly. Depending on use, this should be done every 10-15 days or at least once a month, using hot water and normal washing-up detergent.
- **DO NOT WASH THE GREASE FILTERS IN A DISHWASHER.**

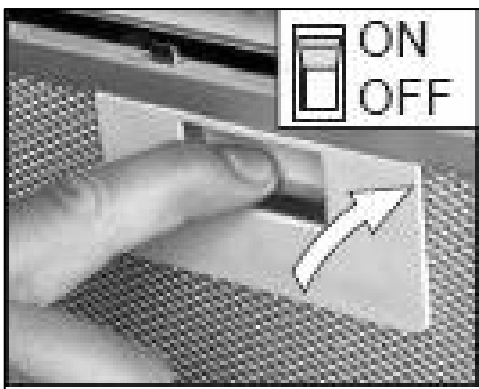
### Removing and cleaning the grease filters



- First remove the grease filters by pulling down on the handle and pulling them away from the range hood.



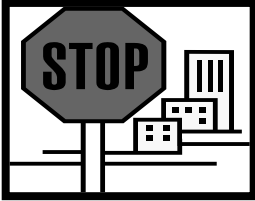
- Soak the grease filters in hot water and washing up liquid for about an hour.
- Rinse it off thoroughly with hot water.
- Repeat the process if required.



- Refit the grease filters once it has dried.

- ***IMPORTANT: Let the grease filters dry thoroughly before refitting them in the range hood.***

## Changing a light bulb

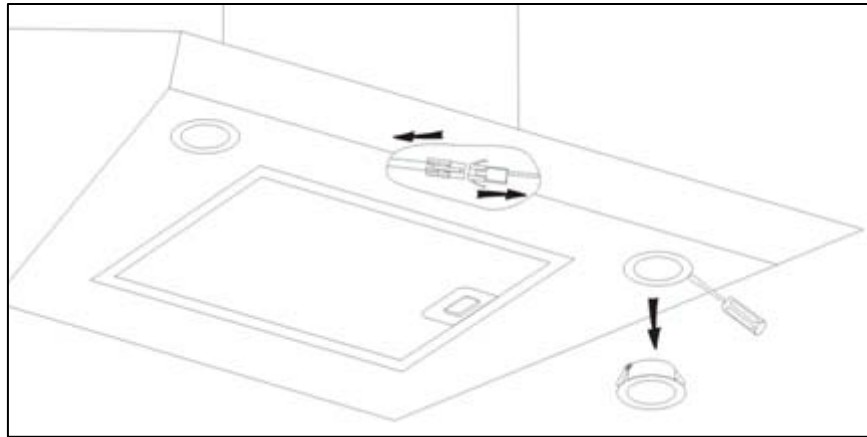


**IMPORTANT: BEFORE ATTEMPTING TO CHANGE A LIGHT BULB, YOU MUST ENSURE THAT YOU HAVE DISCONNECTED THE RANGE HOOD FROM YOUR MAINS SUPPLY.**



- Remove the grease filters (as described on the previous page).
- Prior to touching the light bulbs ensure that they have cooled down.
- Disconnect the light wiring point and then, using a screwdriver, remove the bulb holders and wiring from the hood as shown in the diagram below.

hood as shown in the diagram below.



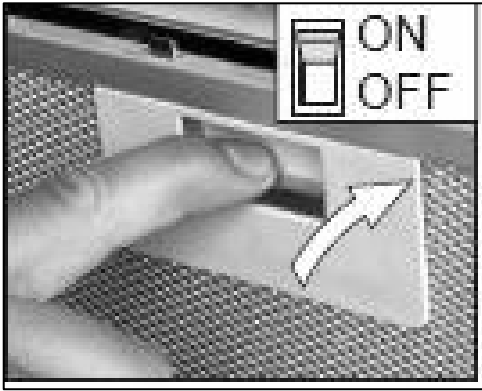
**PLEASE NOTE:** *The drawing above may not show the exact style of your cooker hood.*

- Fit the replacement bulbs, bulb holders and wiring in the same manner as the originals. Reconnect the light wiring point.



**IMPORTANT:** *It is not possible to replace the bulbs individually. It will be necessary to obtain the bulbs, bulb holders and wiring as a complete part.*

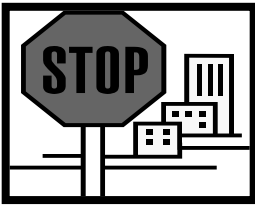
- **IMPORTANT: Defective bulbs should be replaced immediately.**



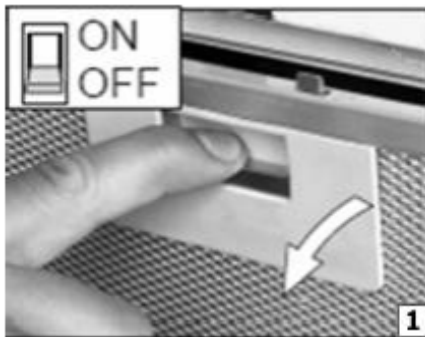
- If the lights still do not work, make sure that the bulbs are fitted properly into their housings before you call for technical assistance.
- Refit the grease filters.

### Fitting the S1 carbon filters

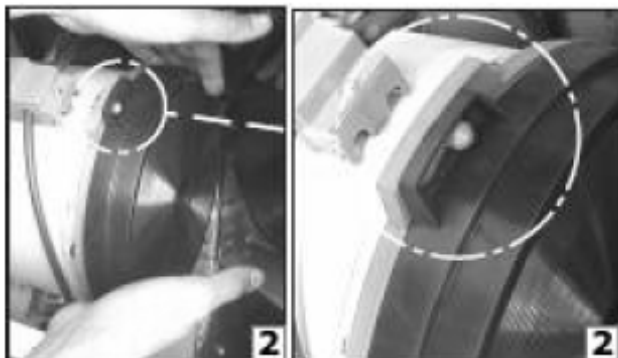
If the appliance is going to be used in recirculation mode then it is necessary to fit a carbon filter. This will help to absorb unpleasant odours caused by cooking.



**IMPORTANT: BEFORE ATTEMPTING TO FIT OR REMOVE THE CARBON FILTERS, YOU MUST ENSURE THAT YOU HAVE DISCONNECTED THE RANGE HOOD FROM YOUR MAINS SUPPLY.**



- 1) Remove the grease filters.



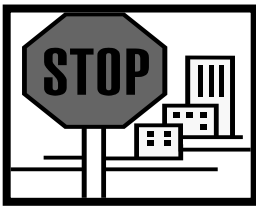
- 2) Hook the carbon filter over the pins that are located at the end of the motor.



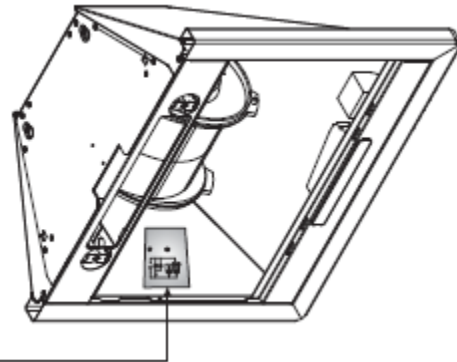
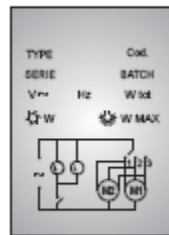
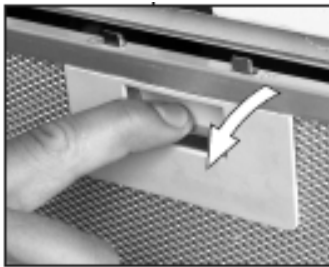
3) Turn the carbon filter anticlockwise until you feel it click into place.

- Repeat this process for the second carbon filter. You need to place a carbon filter at either end of the motor.
- Refit the grease filters.
- The carbon filters should be replaced every three months or if they show signs of damage.

## Installation



**IMPORTANT:** Before installation and usage read all the instructions and make sure that the voltage (V) and the frequency (Hz) indicated on the rating plate are exactly the same as the voltage and frequency in your home. The rating plate can be found behind the grease filter.



The manufacturer declines all responsibility in the event of the installer failing to observe all the accident prevention regulations in force, which are necessary for normal use and the regular operation of the electric system.

### Electrical connection

**YOUR RANGE HOOD IS INTENDED FOR FITTED AND PERMANENT INSTALLATION.**



- The range hood's power cable must be fitted upstream from the electrical connection, using an omni-polar switch with a contact distance of at least 3 mm. **THE FUSE MUST BE RATED AT 10 AMPS.**

**WARNING: THIS APPLIANCE MUST BE EARTHED.** It should only be connected by a competent person, using fixed wiring via a double pole switched fused spur outlet. **(UK ONLY).**

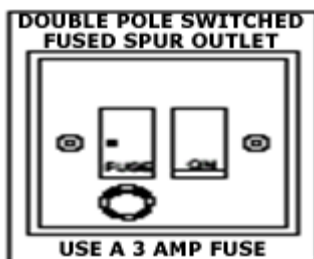


We recommend that the appliance is connected by a qualified person in accordance with the latest edition of the AS/NZS3000-2000 wiring rules and in compliance with the manufacturer's instructions. The wires in the mains lead are coloured in accordance with the following UK code:

**Blue = Neutral, Brown = Live, Green/Yellow = Ground**

**If you only find two wires in the main's lead (blue and brown), then neither must be connected to the earth terminal.**

- As the colours of the wires in the appliance's mains lead may not correspond with the coloured markings identifying the terminals in your spur box, please proceed as follows:



- The **blue wire** must be connected to the terminal marked "N" (neutral), or coloured **black**.
- The **brown wire** must be connected to the terminal marked "L" (live), or coloured **red**.

### **Before beginning installation**

- Check that the product purchased is of a suitable size for the chosen installation area. In addition check whether there is an electrical socket available that will be accessible once the hood is mounted. If the product is going to be used in extraction mode, then there should also be space to connect a ducting hose to the outside.
- Carry out all necessary masonry work prior to the fitting of the cooker hood.
- Ensure that all electrical connections are carried out by a suitably qualified person.
- Before commencing installation of the range hood the grease filters should be removed.
- Check inside the product and ensure that there is no transit packaging or any other materials, such as packets of screws,

guarantees etc. These should be removed and kept for future use.

- If possible, disconnect and move freestanding or slot-in cookers from their position, to provide easier access to the ceiling. If this is not possible, then a thick, protective covering should be placed over the worktop, hob top or cooker. This will help to protect these surfaces from damage and debris.
- Select a flat surface for assembling the range hood. Cover that surface with a protective covering and place all range hood parts and fittings on it.
- Rawl plugs are provided to secure the hood to most types of walls and ceilings. However a qualified technician must verify the suitability of the materials, in accordance with the type of wall and ceiling. The wall and ceiling must be strong enough to take the weight of the hood.
- Do not tile, grout or silicone this appliance to the ceiling. This appliance is designed to be surface mounted only.
- Remove any protective wrapping that has been put on the range hood or chimney sections, to protect them during transit.

### Installing your range hood

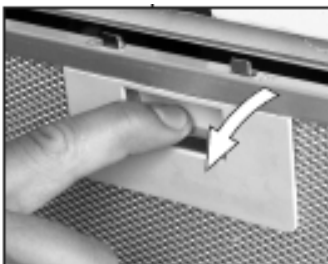


***IMPORTANT: YOU WILL HAVE TO DECIDE BEFORE INSTALLING YOUR RANGE HOOD WHETHER TO USE IT IN EXTRACTION MODE OR RECIRCULATION MODE. PLEASE TURN TO PAGE 22 NOW TO UNDERSTAND THE DIFFERENCES BETWEEN THESE TWO MODES.***

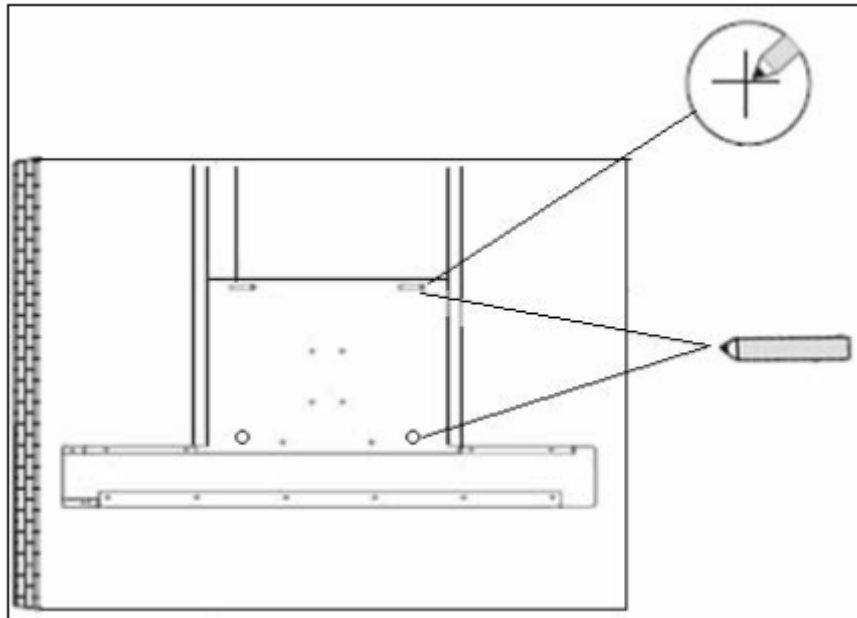
- We recommend that two people install this hood.

***IMPORTANT: YOUR RANGE HOOD SHOULD BE CONNECTED TO YOUR MAINS SUPPLY AFTER THE REST OF THE INSTALLATION PROCESS HAS BEEN COMPLETED.***

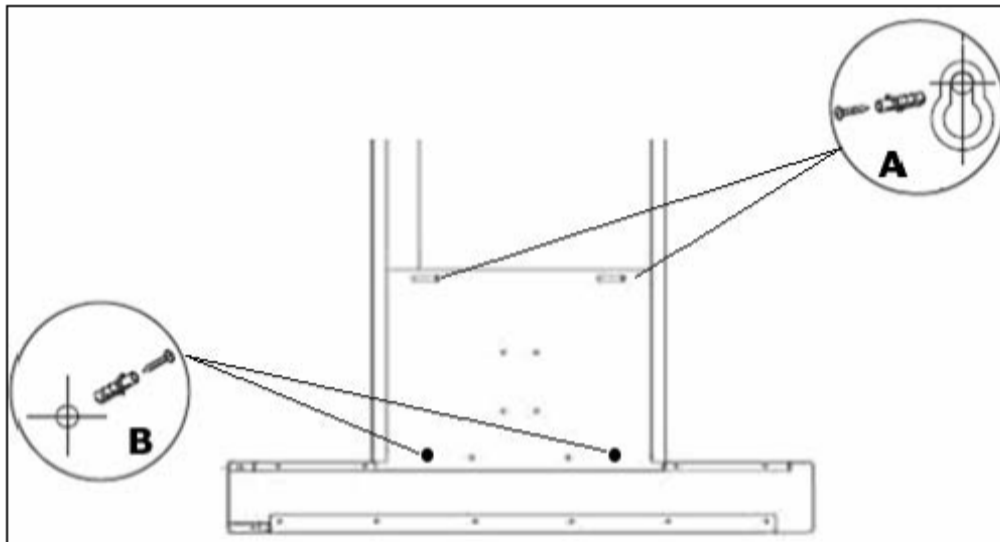
**BKH61SS, BKH91SS, BKH600GLS, BKH900GLS**



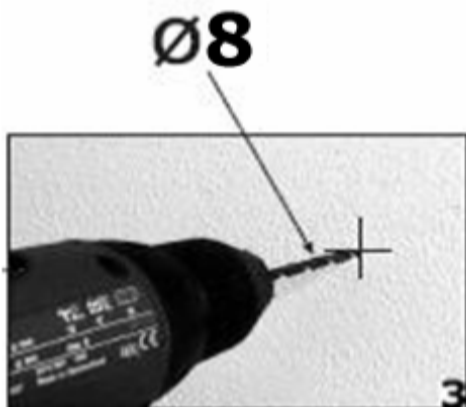
- 1) Remove the grease filters.**



2) Position the hood against the wall that you are intending to install it on and mark the position of the support holes that are to be drilled (as shown in the figure below).

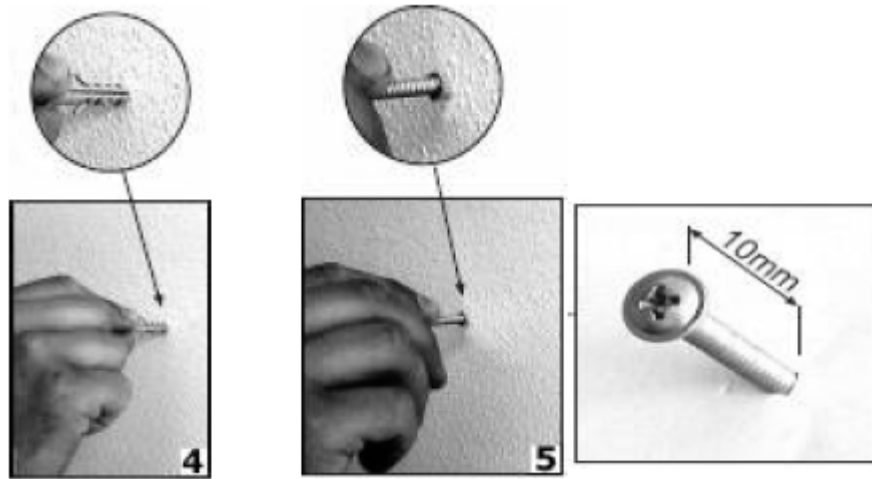


2a) The support screw holes are indicated by figure **A** in this drawing and the anchoring screw holes are indicated by figure **B**.



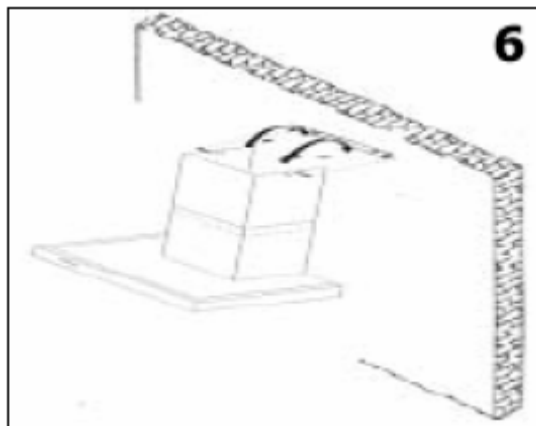
3) Using a drill bit with an 8 mm diameter, make holes in the wall on the positions that you have marked in step 2.



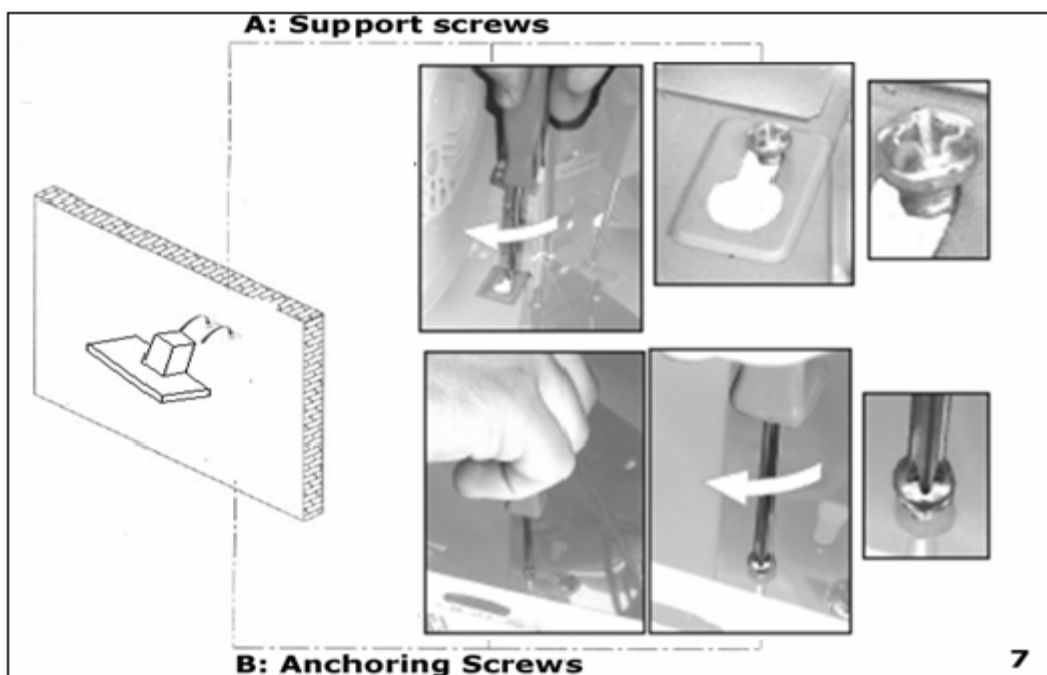


4) Insert the rawl plugs into all of the holes that you have drilled.

5) Fasten the support screws halfway in, leaving them 10 mm out of the wall.

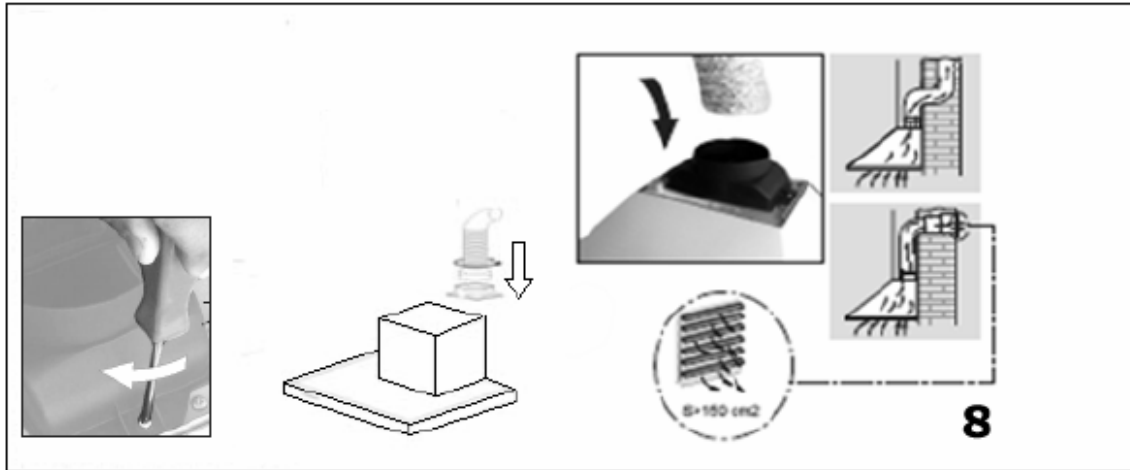


6) Hang the hood onto the support screws.



**7)** Fully tighten the support screws **A** and then screw the anchoring screws **B** through the relevant holes in the range hood. Tighten the anchoring screws fully into the wall.

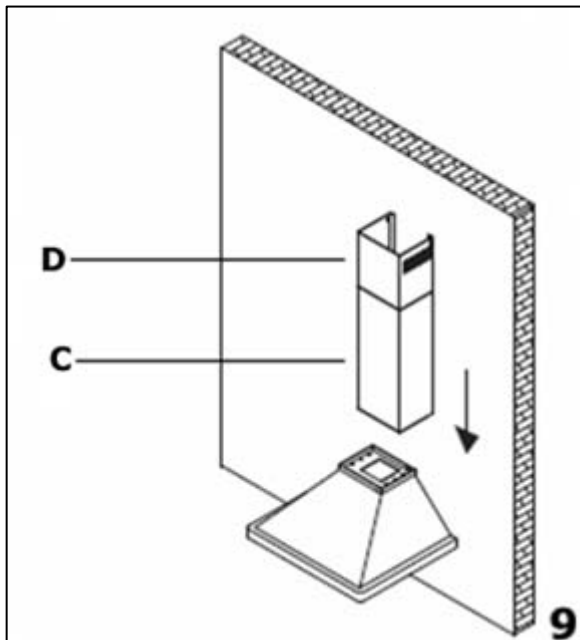
### Connecting to external ducting



**8)** Connect the coupling to the top of the range hood, and then connect a 150 mm ducting hose to the coupling (please note that the ducting hose is not supplied with the appliance).

- The other end of the ducting hose should be connected to your discharge outlet that is suitable for cooking vapours. It should have a cross section of at least 150 cm<sup>2</sup>.
- The maximum distance between the coupling and your discharge outlet should be 3 metres, with one 90 degree bend.
- For each additional 90 degree bend that is made, the maximum distance between the coupling and your discharge outlet is reduced by 1 metre.

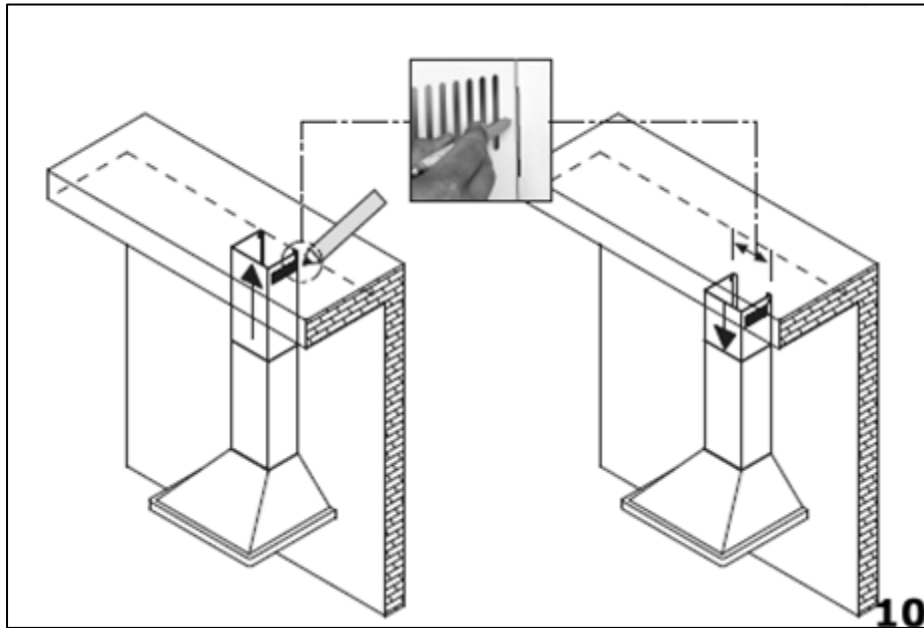
### Fitting the chimney



**9)** Take the two chimney sections **C** and **D**.

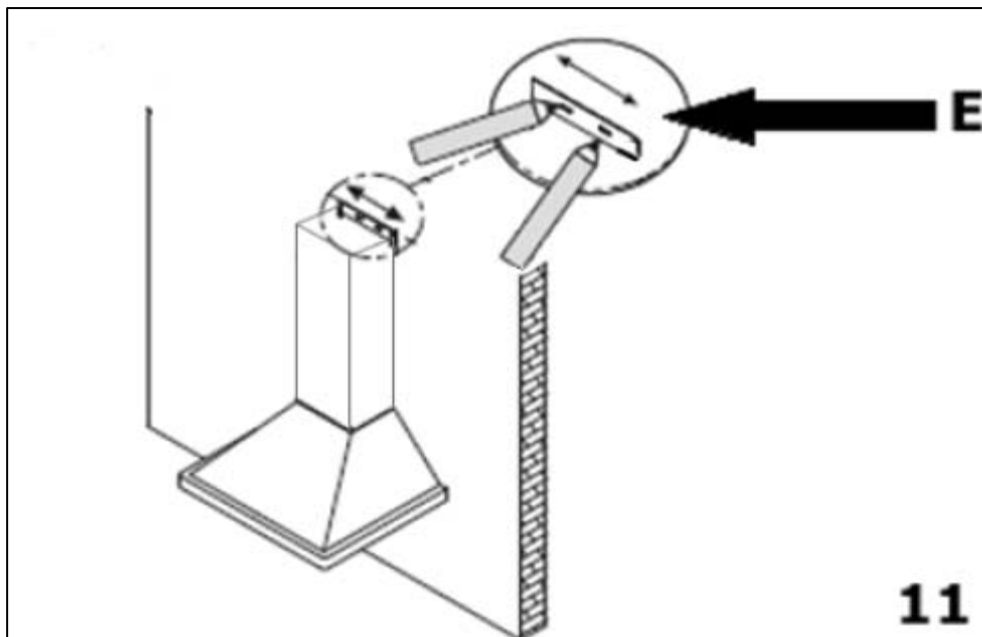
- Rest the bottom of the chimney section **C** on the top of the hood. You should take care to position the tabs on the chimney section into the rear of the hood.

- Mark the side measurement of both sides of chimney section **C** on the wall with a pencil.



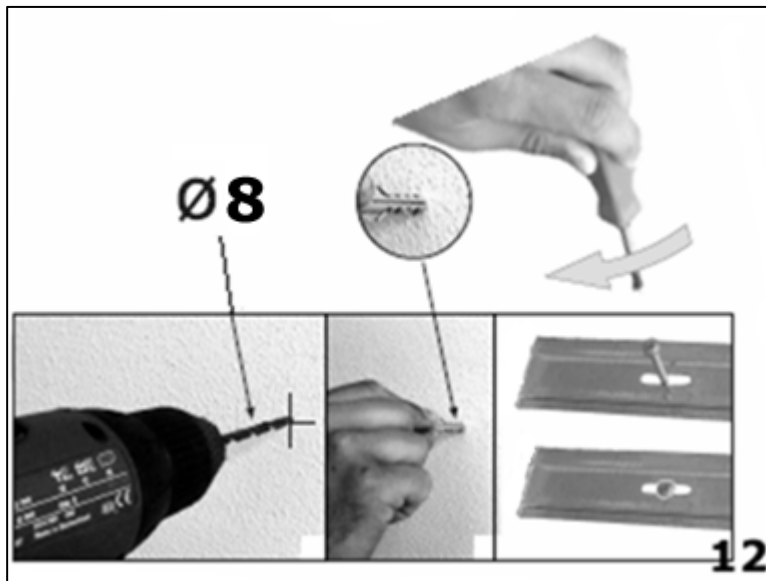
**10)** Lift chimney section **D** upwards until it reaches the ceiling. You must ensure that it is perpendicular to the hood.

- Mark the side measurements of both sides of chimney section **D** on the wall with a pencil and then remove chimney section **D**.



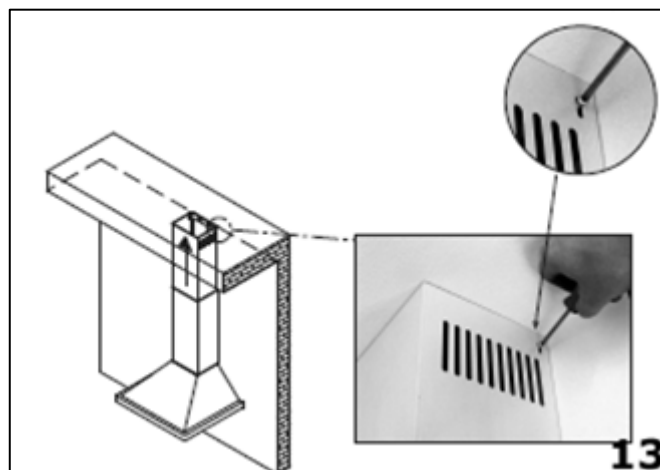
**11)** Take the flat bracket **E** and place it between the two pencil marks that you made in step 9.

- Keeping the bracket in contact with the wall, use a pencil to mark on the wall the anchoring holes that are cut out of the bracket.



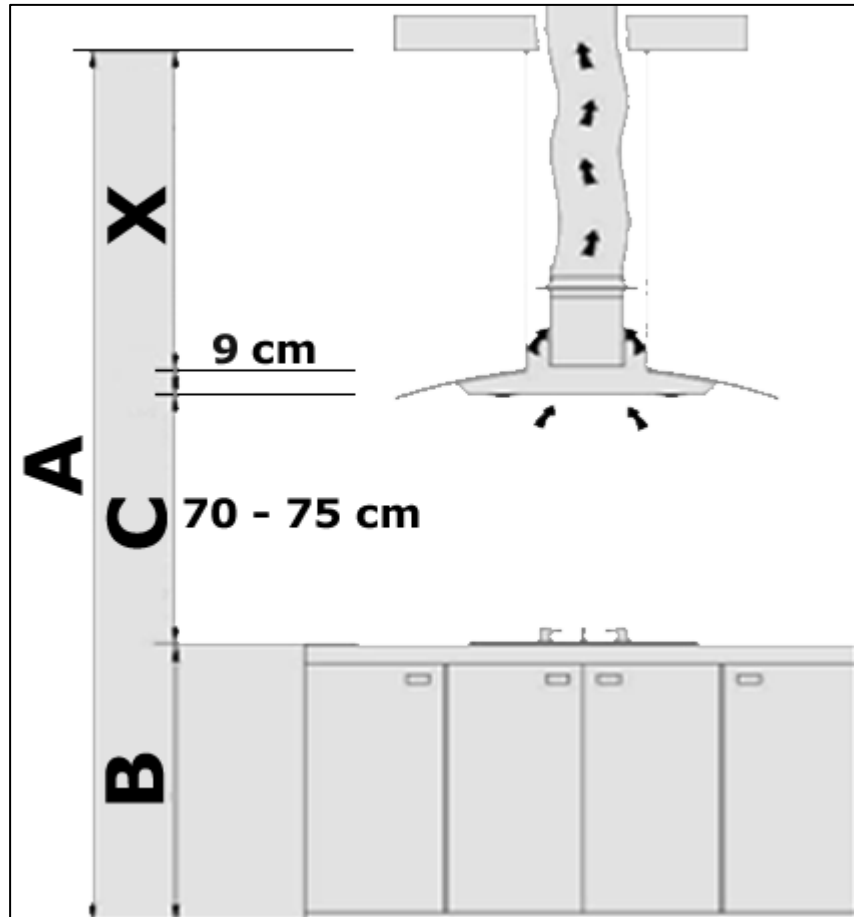
**12)** Using an 8 mm drill bit, drill out two holes on the pencil markings that you made in step 11. Insert rawl plugs into the holes and then use a screwdriver to secure the fixing bracket to the wall.

- Refit chimney section **C** to the hood and fix it onto the hood using the two screws that are supplied.
- Secure the top of chimney section **C** to the flat bracket, using the screws provided.
- Slide chimney section **D** inside of chimney section **C**. Then secure the L shaped bracket to the wall, using the same method as you have just used to secure the lower bracket.



**13)** Lift chimney section **D** up to the ceiling and secure it to the L shaped bracket using the screws provided.

Positioning



- X** = Height of the appliance
- A** = Total height of the kitchen
- B** = Height of the worktop
- C** = Distance between the hob and the hood
- 9 cm** = Height of the hood canopy

- To work out the height of the appliance, you need to use the following formula:  **$X = A - (B + C + 9 \text{ cm})$** .
- The overall height of the appliance should be calculated according to the height of the chimney sections. You must allow yourself sufficient space to make the electrical connections and connecting the ducting hose (if required).



***IMPORTANT: Your ceiling should have a minimum height of 2.7 metres; otherwise you may encounter difficulties when installing the appliance.***

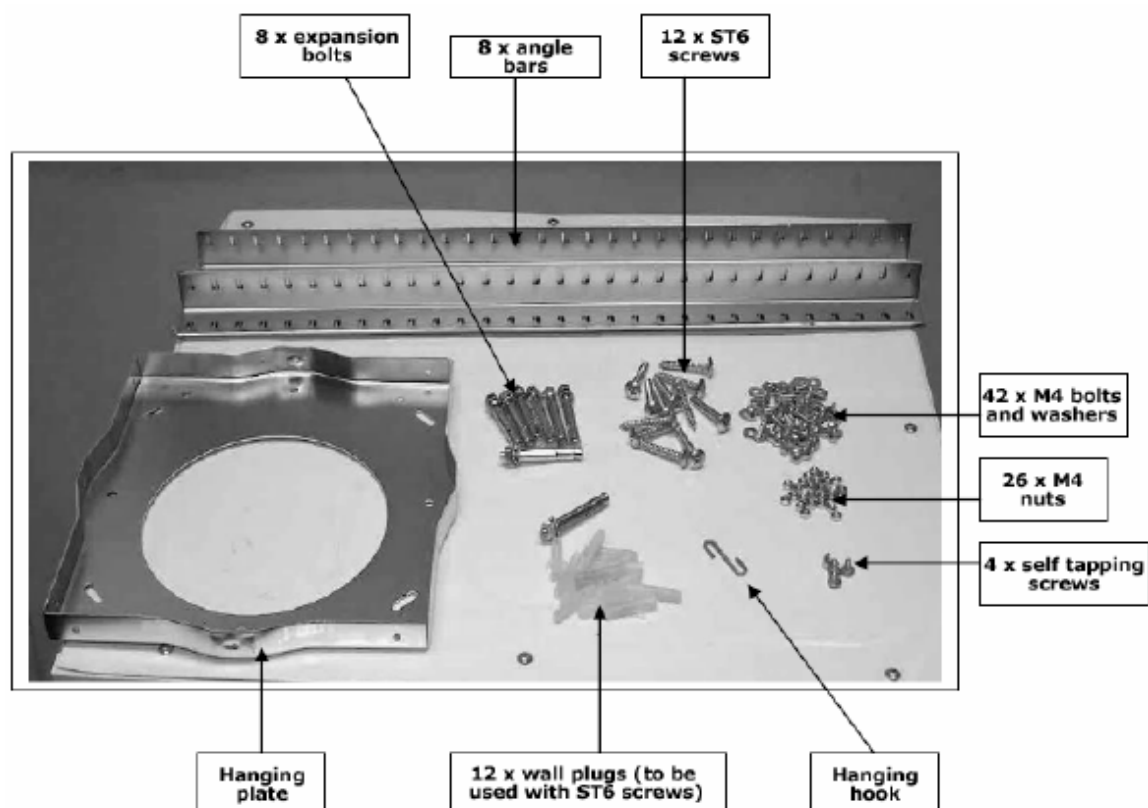


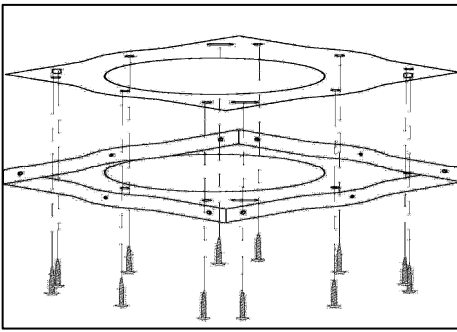
**IMPORTANT:** Although the minimum height of the appliance can be set at 690 mm. During the installation process you will need to move the lower chimney section upwards, to allow you to attach the main body of the hood to the framework. To achieve this you will require a vertical gap of no less than 1000 mm.

## Installation

- Your range hood should only be suspended from ceiling joists or joints between joists that are weight bearing. **DO NOT** hang this hood from a suspended ceiling.
- **IMPORTANT:** The ceiling **MUST** be able to withstand a weight of at least 40 kilograms.
- **IMPORTANT:** The ceiling **MUST** be at least 30 mm thick.
- It must be positioned at least 700 mm above the hob underneath it. You cannot fit this product by securing it between two cupboards.
- If you are using your range hood in extraction mode, then you will need to make the necessary arrangements for the ducting, before the rest of the installation.

**IMPORTANT: YOUR RANGE HOOD SHOULD BE CONNECTED TO YOUR MAINS SUPPLY AFTER THE REST OF THE INSTALLATION PROCESS HAS BEEN COMPLETED.**

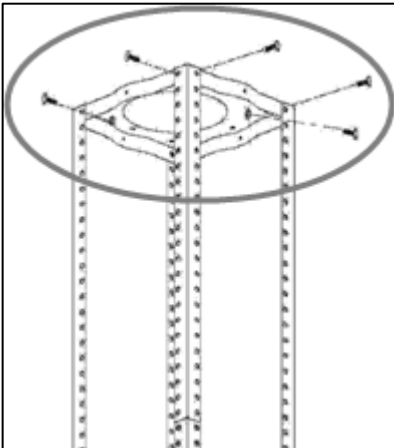




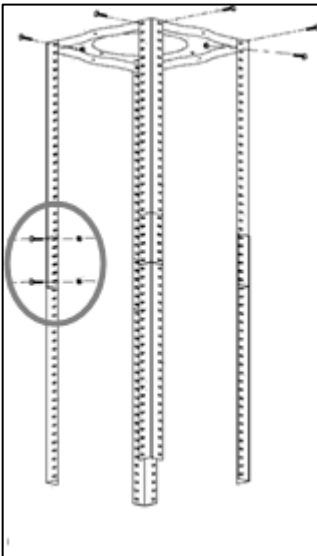
**1)** Position the hanging plate on the ceiling and then mark the position of the screw holes.

- The hanging plate should be securely fixed to the ceiling, using the 12 x ST6 (40 mm) screws.

- Depending on the surface of the ceiling that you are fixing the hanging plate to, you may need to use 8 x expansion bolts (for concrete).

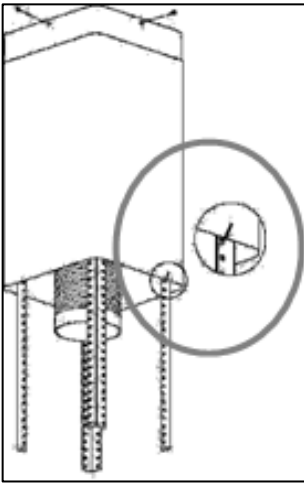


**2)** Fix the angle bars to the hanging plate, using the 8 x M4 nuts and bolts with metal washers.



**3)** Extend the angle bars to the required height and then fix them in position using the 16 x M4 nuts and bolts with metal washers.

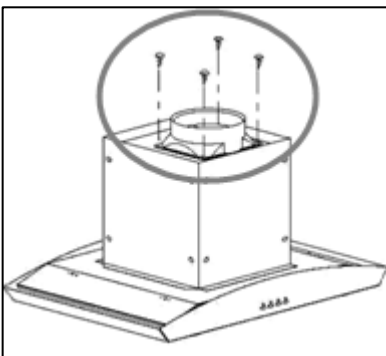
- **IMPORTANT:** The angle bars must have an overlap of **AT LEAST 100 mm**.



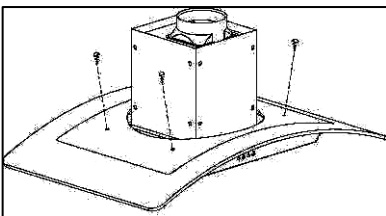
**4)** If your range hood is going to be used in extraction mode, then you should connect the ducting hose to the ceiling adaptor at this point.

- Fix the upper chimney section to the hanging plate, using the 4 x self tapping screws.
- Slide the lower chimney section onto the angle bars and raise it until it sits just below the upper chimney section.

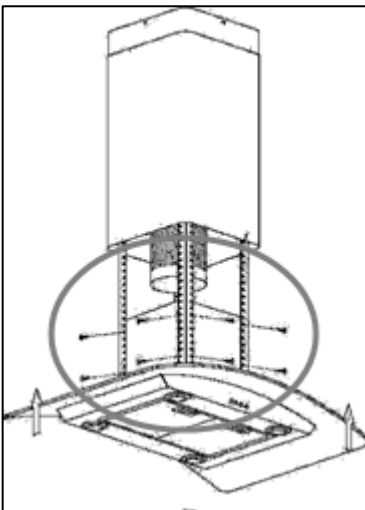
- Use the hanging hook to temporarily keep the lower chimney section in this position, to make sure that it does not drop down whilst fixing the main body of the hood to the angle bars.



**5)** If you are going to be using the hood in extraction mode, you should fit the spigot for the duct hose onto the main body of the range hood, using the 4 x M4 bolts,



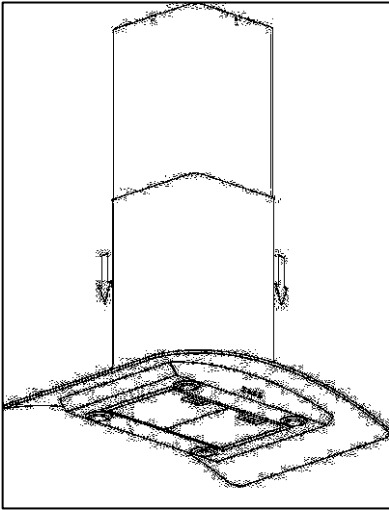
**6)** If the glass canopy has not been pre-assembled by the factory, then it should be fixed to the top of the main body of the range hood at this stage.



**7)** Lift the main body of the range hood onto the angle bar and then fix it into position using the 16 x M4 bolts.

- ***IMPORTANT: This stage of the installation process MUST be completed by two people.***
- ***IMPORTANT: The 16 x M4 bolts MUST be securely tightened.***





**8)** If you are going to be using the hood in extraction mode, you should fix the ducting hose to the spigot.

- The electrical connection must correspond to the electrical requirement noted on the rating plate, which is placed inside the range hood. The appliance should now be connected to the electrical supply. See page 21 - 22 for detailed information on the electrical connection.
- Check that the appliance is operating correctly by selecting each speed and switching the light bulbs on and off.
- Remove the hanging hook and then slide the lower chimney section downwards, until it rests against the main body of the range hood.
- Use a stainless steel cleaner and polish on the stainless steel sections of the appliance.
- If you are using the appliance in recirculation mode, then you should now fit the carbon filter. See the "Fitting the carbon filter" section on pages 20 - 21.

### **Extraction mode or recirculation mode?**

#### ***What is the difference between extraction and recirculation modes?***

To get optimum performance from your cooker, the air will be taken out of the room via external ducting.

Unfortunately if you live in a flat or the hood is too far from an outside wall, this may not be possible. The only alternative is to recirculate the air.

In recirculation mode stale air is taken via the grease filter, and passed through a charcoal filter for purification. The air then re-enters the kitchen via an opening in the hood.

## ***What is a charcoal filter and do I need one?***

All range hoods have a grease filter but if you are using your range hood in recirculation mode, then a charcoal filter must be fitted in addition to the grease filter.

## **Troubleshooting**

***IMPORTANT: If your range hood appears not to be operating properly, before contacting an Authorised Service Agent, please refer to the checklist below.***



### ***My range hood will not start.***

- Check that the hood is connected to the electricity supply
- Check that the fan speed control is set correctly.



### ***My range hood is not working effectively.***

- The fan speed is not set high enough
- The grease filters are dirty and require cleaning.
- The kitchen is not well ventilated enough.
- If the hood is set up for recirculation mode, check that the carbon filters do not need replacing.
- If the hood is set up for extraction mode, check that the ducting hose and discharge outlet are not blocked.



### ***My range hood has switched off during operation.***

- The safety cut-out device has been tripped.
- Turn off the hob and then wait for the safety cut-out device to reset.
- ***IMPORTANT: If you have installed your range hood too low, the safety cut-out device will frequently trip. Your range hood may become damaged if the safety cut-out device is tripped frequently.***



***IMPORTANT: If your appliance appears not to be operating correctly, then you should disconnect it from your mains supply and then contact an Authorised Service Agent. Log onto [www.applico.co.nz](http://www.applico.co.nz) to locate a Service Agent nearest to you.***

***DO NOT ATTEMPT TO REPAIR THE APPLIANCE YOURSELF.***

Please note that if an engineer is asked to attend whilst the product is under guarantee and finds that the problem is not the result of an appliance fault, then you may be liable for the cost of the call out charge.

***The appliance must be accessible for the engineer to perform any necessary repair. If your appliance is installed in such a way that an engineer is concerned that damage will be caused to the appliance or your kitchen, then he will not complete a repair.***

***This includes situations where appliances have been tiled in, sealed in with sealant, have wooden obstructions placed in front of the appliance, like plinths. Or any installation other than the one specified by the manufacturer has been completed.***

Please refer to the conditions of guarantee that appear on the warranty card that you receive with the appliance.

## THIS WARRANTY IS VALID IN NEW ZEALAND ONLY

**Note:**

Please complete the following details when you unpack the product and return the bottom portion of this card to:

**Applico Ltd**  
**Private Bag 92-900**  
**Onehunga**  
**Auckland, New Zealand**

**Warranty:**

These products are covered by a warranty for a period of 24 months from the date of purchase, subject to the following conditions\*. The Warranty covers rectification free of charge of any fault arising from defective materials or components, or faulty workmanship or assembly.

\* The conditions above mentioned are:

1. that the purchaser carefully follows all instructions packed with the product;
2. that the purchaser carefully follows the installation instructions provided and complies with electrical wiring regulations, gas and or plumbing codes;
3. that the purchaser carefully follows instructions provided in the owner's handbook relating to the proper use and care of the product and does not use the product for any purpose other than the domestic use for which it has been designed;
4. all appliances being used in a non residential commercial situation are covered by a 3 month warranty from the original date of purchase;
5. that the product was purchased and installed in New Zealand;
6. that this warranty does not extend to:
  - a) optional glass lids for hobs apart from claims which relate to mechanical or physical damage thereof at the date of purchase;
  - b) light bulbs;
  - c) damage to ceramic glass caused by liquid or solid spillovers, lack of maintenance, or impact;

- d) damage to surface coatings caused by cleaning or maintenance using products not recommended by the owner's handbook;
- e) defects caused by normal wear and tear, accident, negligence, alteration, misuse or incorrect installations;
- f) a product dismantled, repaired or serviced by any serviceman other than an authorised service agent;
- g) a product not in possession of the original purchaser;

7. that if the product is a microwave or small appliance it must be returned to the dealer for servicing. These products, unless stated otherwise have a 12 month warranty from original date of purchase with 24 months on the microwave magnetron; Waste disposers have a 12 month warranty;
8. The provision of service under this Warranty is limited by a 25km boundary from the retailer where the product was purchased. Such travelling outside of these limits will incur commercial cost to be paid by you, regulated by the number of kilometres travelled beyond the 25km limit (50km return trip).

Nothing herein contained shall be construed in any way as excluding or limiting your rights under the Consumer Guarantees Acts 1993.

For service please contact the dealer/retailer from whom you purchased the product. If you are unable to establish the date of purchase, or the fault is not covered by this Warranty, or if the product is found to be in working order, you will be required to bear all service call charges.

**Note: Completion of this Warranty Registration Card constitutes acceptance of the terms and conditions of this Warranty.**

**Distributed by Applico Ltd**  
**www.applico.co.nz**

**Please complete this section, detach and post to:**  
**Applico Warranty, Private Bag 92-900, Onehunga, Auckland**  
**or register online at [www.applico.co.nz](http://www.applico.co.nz)**

**PRODUCT TYPE:**..... **MODEL NO:**.....

**SERIAL NO:** ..... **DATE OF PURCHASE:** .....

**RETAILER:**..... **INVOICE/SALES DOCKET NO:**.....

**RETAILER ADDRESS:** .....

**PURCHASERS' NAME:**.....

**ADDRESS:**.....

---

**Affix  
stamp  
here**

**Applico Ltd  
Warranty Department  
Private Bag 92-900  
Onehunga  
Auckland**





