



BTX 110 Speaker

User Guide



Technical Support: support@kinivo.com | www.kinivo.com

Contents

1. Introduction	1
Features Overview	1
Bluetooth Connectivity	2
Portable Design	3
Extraordinary Sound Quality	3
Wired Audio Connection	3
USB Charging	4
What's Included	5
Device Specifications	7
Warranty Information	8
<hr/>	
2. Device Layout	10
Top of the Speaker	11
Play/Power/End Call Button	14
Next/Volume Up/Answer Button	15
Previous/Volume Down/Mode Button	15
Side and Bottom of Speaker	16

Audio Output	17
LED Light.....	18
USB Port.....	19
Microphone	19
Audio Cable.....	20
<hr/>	
3. Speaker Operation.....	21
Charging Your Speaker.....	21
Open/Close Resonator	22
Pairing Speaker to a Device.....	24
Operating Your Speaker	26
Listening to Music Wirelessly	26
Listening to Wired Music.....	26
Adjust the Volume.....	26
Change Tracks	26
Handsfree Calling.....	26
<hr/>	
4. Safety Notices	27
Important Safety Instructions.....	27
Warranty	30
Legal and Trademark Notices	30

1. Introduction

Congratulations on your purchase of a Kinivo BTX 110 Wireless Mini Speaker. This guide is provided to help you get started with your speaker, so please read it carefully and save for future reference.

For detailed instructions, up-to-date information, and helpful tips, please visit the Kinivo website at www.kinivo.com. For service inquiries, please contact us at: support@kinivo.com

Features Overview

- Portable Bluetooth wireless speaker with compact design allowing users to stream music or answer phone calls hands-free;
- Bluetooth Version 2.1: AVRCP, A2DP, automatic connection for one time pairing to any Bluetooth-enabled device;
- Integrated Lithium-ion battery for easy charging via provided USB cord for up to six hours of playtime;
- Three multifunctional buttons used to power the speaker on/off, play or pause tracks, change tracks, or answer phone calls;
- Compatible with Apple iPhone 4s/4/3GS/3G, iPod touch G4, iPad, Macbook, Macbook Pro, Motorola Atrix, Droid X, Droid 2, Droid Milestone, and other bluetooth compatible devices.

Bluetooth Connectivity

Your Kinivo BTX 110 speaker can be easily paired with iPhones, iPads, Apple notebook computers, and other Bluetooth-enabled mobile devices. By pairing the speaker to a device, you can stream music and utilize hands free communication from a Bluetooth range of up to 25 feet (Line of sight operation has the maximum range).

Portable Design

The BTX 110's compact design and wireless compatibility make it a perfect companion to your other portable devices. The unique, compact design also allows your speaker to fit into the carry pouch provided for transportation between uses.

Extraordinary Sound Quality

Despite the BTX 110's small size, the expandable speaker increases the range of your music while maintaining high quality sound.

Wired Audio Connection

Connect to audio devices using the built-in 3.5mm audio jack on the bottom of the speaker. The audio cable stores conveniently underneath the speaker when not in use.

Speaker Connections

Your BTX 110 can also be connected to other Kinivo speakers for an enhanced audio experience.

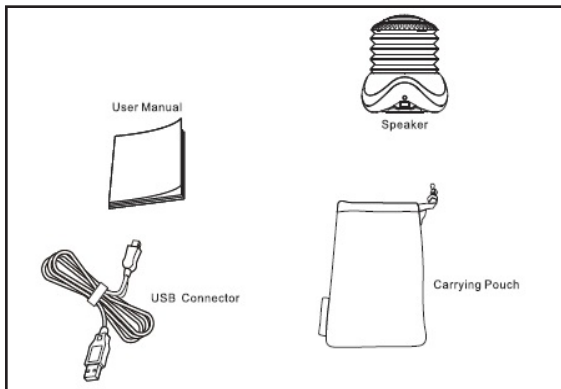
USB Charging

The lithium ion battery inside BTX110 can be charged using the included charging cable and the USB port on your computer. A full charge can take up to two hours and provides up to six hours of continuous use.

What's Included

Please make sure that the items shown below are included in the package. Should an item be missing, please contact Kinivo at support@kinivo.com.

- Kinivo Bluetooth Speaker
- Charging Cable
- Carry Pouch
- User Manual



Device Specifications

Model:	BTX110
Dimensions:	Height (closed) – 1.65 in. (42 mm); Length – 2.7 in. (68.5 mm); Width – 2.7 in. (68.5 mm)

Net Weight:	3.3 oz. (96 g)
Input:	L/R 360 mV
Power Output:	3W
S/N:	≥80dB
AMP Frequency Range:	180Hz – 16KHz
Charge Voltage:	5V±0.5V
Suitable Temperature Range:	32° F – 104° F (0° C – 40° C)
Charging Time:	2 hours

Warranty Information

Your BTX110 Wireless Speaker is covered under a 1 year limited hardware warranty. Customers can contact support@kinivo.com for assistance or questions.

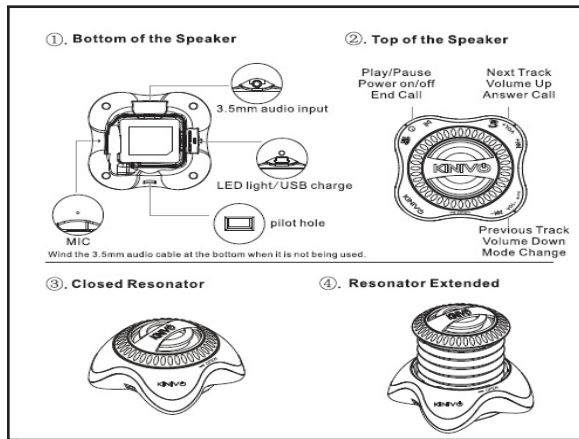
Web: www.Kinivo.com

E-mail: support@kinivo.com



2. Device Layout

The BTX 110 Wireless Mini Speaker features three multi-functional buttons, a USB port, headphone jack, audio cable, and an LED light indicator.

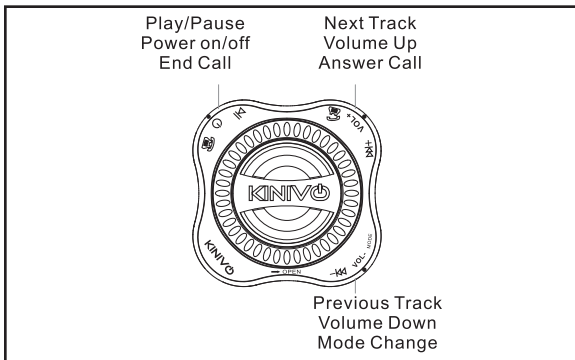


Top of the Speaker

The top of the speaker refers to the three multi-functional buttons and the expandable resonator speaker. The multi-functional buttons at the end of three of the arms of the speaker are used to control device paired with the speaker.

Each button performs a different function depending on how it is pressed. Quickly press the button once to perform the music or phone function. Press and hold the button to perform speaker functions such as volume control or power on/off.

Note: When working with the buttons on your speaker, the actions are performed by pressing the silver rim even though the icons are located on the black portion of the speaker body.



Play/Power/End Call Button

Function	Description
Power On/Off	Press and hold to power the speaker on or off.
Play/Pause	Press once to play or pause the current track.
End Call	Press once to end current call.

Next/Volume Up/Answer Button

The BTX 110 Wireless Mini Speaker features three multi-functional buttons, a USB port, headphone jack, audio cable, and an LED light indicator.

Function	Description
Volume Up	Press and hold to increase the volume of the current track or call.
Next Track	Press once to advance to the next track on the paired device.
Answer Call	Press once to answer an incoming call.

Previous/Volume Down/Mode Button

Function	Description
Volume Down	Press and hold to decrease the volume of the current track or call.
Previous Track	Press once to return to the previous track on the paired device.

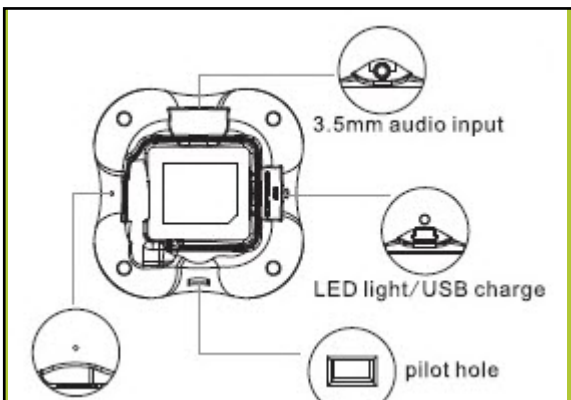
Function	Description
Mode	Press twice to change to non-Bluetooth operation (using the 3.5 mm cable underneath the speaker). Press twice again to return to Bluetooth mode.

Note: The BTX1100 speaker's Next and Previous Track functions can only be used if your music device supports the AVRCP Bluetooth profile.

Side and Bottom of Speaker

The sides of the BTX 110 contain a USB input, audio input jack, microphone, and an LED light indicating the status of the speaker.

On the bottom of your speaker, you will find the audio cable that can be used to create a wired connection to your device. This cable can also be used to connect to other Kinivo speakers.



Audio Output

Multiple BTX110 speakers or other type of speakers can be daisy chained to enhance the audio experience. This allows the BTX110 to be used as a BlueTooth receiver by connecting its output to a home theater or a bigger speaker.

LED Light

The LED light on the side of your speaker indicates the current status. Both the color and the condition of the light are used to indicate the following:

Light Color	Condition	Status
Red	Solid	Charging
Blue	Solid	Charging Complete
Blue	Blinking (fast)	Connecting to Device
Blue	Blinking (intermittent)	In Use/Speaker On

USB Port

Connect the speaker to a computer for charging using the cable included.

Note: Only use the cable provided to charge your speaker. The cable provided is not compatible for data connectivity with other devices.

Microphone

Used to pick up your voice when using the BTX 110 in Phone Mode.

Audio Cable

The 3.5 mm cable on the bottom of the speaker can be used to create a wired connection between the speaker and a device without Bluetooth connectivity. Plug this cable into the audio input or headphone jack of a device and you will be able to use the speaker without a Bluetooth connection.

Note: When using a wired connection through the audio cable, press the Mode button on your speaker twice to exit Bluetooth mode. To return your speaker to Bluetooth mode, press the Mode button twice again.

3. Speaker Operation

Charging Your Speaker

Upon initial use, the player should be charged fully to ensure optimal performance and battery life. If the speaker has not been used for a long period of time, the battery may also need to be recharged.

To charge the speaker, use the included cable to connect the charger to your computer's USB port or to any standard USB charger. The LED light on the side of the speaker will glow red while the speaker is charging. The LED light will change to blue when charging is complete.

Warning: The cable provided to charge the speaker is not compatible for data connectivity with other devices.

The speaker can be completely charged in two hours. A full charge allows for six hours of continuous play.

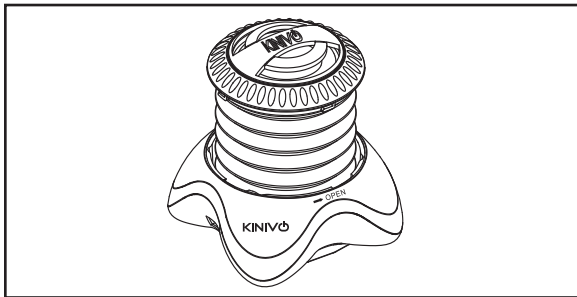
Note: The computer must be powered on and not in sleep mode in order for the battery to be charged. The speaker will not charge if the computer is in sleep mode.

Open/Close Resonator

The speaker will initially be in the “Closed” position when you remove it from the box.

1. Hold the speaker by the bottom base.
2. Turn the top of the speaker counter-clockwise until the top releases and the resonator expands.
3. The speaker is now in the “Open” position.

Warning: Do not pull on the extended resonating section. Pulling this section can damage the speaker and negatively impact your sound quality.



Note: Opening the resonator is not required to play music, but it will improve the quality of the bass.

4. To close the speaker again, hold the base and turn the top clockwise as far as it will go.
5. The speaker is now in the “Closed” position. The speaker can still be used in the “Closed” position, but the sound quality is slightly diminished.

Pairing Speaker to a Device

Pairing your speaker to a device allows you to use the Bluetooth connectivity to stream music or phone calls through your speaker. Follow these instructions to pair the speaker with your Bluetooth enabled device:

1. Activate the Bluetooth connectivity function on your device.
2. Press and hold the **Power** button on your speaker.
3. The blue LED light on your speaker will blink intermittently.
4. Use your devices to scan for Bluetooth connections.
5. Select the “BT SPEAKER” from the list of available devices.
6. The blue LED light on your speaker will blink rapidly.
7. Once the speaker has been paired, the blue LED light will blink intermittently again.

8. The device and speaker are now paired. You can use your speaker to begin streaming music or making phone calls.

Note: If the speaker has been previously paired with another device, the original pairing must be removed before a new connection can be made. To remove the original pairing, delete the pairing in the Bluetooth settings of the original device.

Operating Your Speaker

Listening to Music Wirelessly

Once your device has been paired, you can begin playing music from your player. The music can be controlled (play, pause, forward, rewind) from either the device or on the speaker.

Note: The BTX1100's Next and Previous Track functions can only be used if your music device supports the AVRCP Bluetooth profile.

For more information the controls for Music Mode, refer to *De-vice Layout* section on page 3.

Listening to Wired Music

Use the included 3.5mm wire on the bottom of the speaker in order to play music from a non-Bluetooth device. By default, the speaker is in the Bluetooth connection mode. To switch from Bluetooth to wired play, press the Mode button two times in quick succession.

Note: The LED indicator light on your speaker will glow solid blue when switched from Bluetooth mode to wired play mode.

Connect the audio cable on the bottom of the speaker to the audio input or headphone jack on the device. Once connected, you can use the controls on the speaker to control the music on the device.

Note: Listening to music through a wired connection does not require Bluetooth connectivity or pairing with a device.

For more information the controls for Music Mode, refer to *Device Layout* section on page 3.

To switch from wired play back to the Bluetooth connection, press the **Mode** button two times in quick succession. The blue LED light will flash when the speaker switches back to the Bluetooth mode.

Adjust the Volume

The **VOL+** and **VOL-** buttons can be used to adjust the volume of either streaming music or phone calls. Your speaker will initially have the volume set to 80% each time it is powered on, but can be adjusted.

You must **press and hold** the volume buttons to adjust the current volume. If you do not hold the button, a different function may be performed. For example, if you press the **VOL+** button and do not hold the button, you will advance to the next track.

Note: You can also adjust the volume on the attached device in addition to using the volume button the speaker.

Change Tracks

The **Next Track** (>>|+) and the **Previous Track** (-<<) buttons on your speaker can be used to change the track that is currently playing on your device. Tracks can also be changed on your music device that is connected to the speaker.

Note: The multi-faceted nature of the speaker buttons might confuse some users. It is recommended that you change the tracks and use play/pause functionality from your music device if possible.

1. Press the **Play** button on your speaker.

2. To advance to the next track, press the **Next Track** button. Each time the button is pressed, you will advance one track.
3. To return to the last track, press the **Previous Track** button. Each time the button is pressed, you will go back one track.

Note: You must press and release the track buttons to change the track. Pressing and holding the button will adjust the volume of the track, but will not change the track being played.

Handsfree Calling

1. To answer an incoming call, press the **Answer Call** button. You will be able to hear your call through your speaker. The built in microphone on the side of the speaker will allow you to converse with the caller.
2. Use the **VOL+** and **VOL-** buttons to change the volume of your call.
3. When finished, press the End Call button on the speaker to hang up the phone. You can also end the call from your phone.

Note: The echo-cancellation feature on your speaker works best at low-medium volume.

4. Safety Notices

Important Safety Instructions

1. **Read Instructions:** All the safety and operating instructions should be read before the product is operated.
2. **Retain Instructions:** Retain the safety and operating instructions for future reference.
3. **Heed Warnings:** All warnings on the product and in the operating instructions should be adhered to.
4. **Follow Instructions:** All operating and usage instructions should be followed.
5. **Cleaning:** Unplug this product from your computer before cleaning. Do not use liquid cleaners or aerosol cleaners. Use a damp cloth for cleaning.
6. **Attachments:** Use only attachments recommended by the manufacturer. Use of other attachments may be hazardous.
7. **Water and Moisture:** Do not use this product near water (e.g., near a bath tub, washbowl, kitchen sink, laundry tub, in wet basements, or near a swimming pool and the like).
8. **Power Sources:** This product should be operated only from the type of power source indicated. If you are not sure of the type of power supply to your home, consult your product dealer or local power company.

9. **Object and Liquid Entry:** Never push objects of any kind into this product through openings as they may touch dangerous voltage points that could result in a fire or electric shock. Never spill liquid of any kind on the product.
10. **Servicing:** Do not attempt to service this product yourself. For all service requests, contact Kinivo at support@kinivo.com. Unplug this product and refer servicing requests to Kinivo support under the following conditions: a) when the power-supply or plug is damaged; b) if liquid has been spilled or if objects have fallen into the product; c) if the product has been exposed to rain or water; d) if the product does not operate normally by following the operating instructions. Adjust only those controls that are covered by the operating instructions as improper adjustment of other controls may result in damage and will often require extensive work by a qualified technician to restore the product to its normal operation; e) if the product has been dropped or damaged in any way; f) when the product exhibits a distinct change in performance—this indicates a need for service.
11. **Replacement Parts:** For replacement parts, contact Kinivo at support@kinivo.com. Unauthorized substitutions of parts may result in fire, electric shock, or other hazards.
12. **Safety Check:** Following any service or repairs to this product, ask the service technician to perform safety checks to ensure that the product is in proper operating condition.
13. **Heat:** The product should be situated away from heat sources such as radiators, heat registers, stoves, or other products (including amplifiers) that produce heat.

Warranty

Your Kinivo BTX110 speaker is covered under a 1 year limited hardware warranty. Please contact us at support@kinivo.com for warranty related information or any other questions.

You can also visit www.kinivo.com for more information.

Legal and Trademark Notices

Kinivo is a registered trademark of Kinivo, LLC. All other trademarks and logos are property of their respective owners unless indicated otherwise.

Kinivo, LLC. | www.kinivo.com

KINIVO  TM

Technical Support: support@kinivo.com | www.kinivo.com