



## **User Manual**

# **28 Litre 2-Way Electric Chilly Bin**



## 1. Features

The Escape 2-way fridge has no compressor, creates no noise and has no Freon. It is simply constructed, compact, lightweight and is very convenient.

The Thermoelectric Cooler & Warmer uses a semiconductor to achieve cold or heated temperatures in one unit; transferred through the coated aluminium liner. Heat generated by the long life (approx 30, 000 hours) brushless motor is dissipated by fan to the outside.

It is also CFC free which makes it an environmentally friendly product.

The 2-way fridge can keep hot food warm for a number of hours after the appliance has been switched off, providing that the lid is closed properly.

## 2. Maintenance and care

When you clean your Escape 2-way fridge, please refrain from using a harsh cleaning agent or solvent and don't rinse the body with water directly. It is better to clean your fridge with a damp cloth. It is also possible to use dishwashing liquid. If the fridge is not going to be used again for a long period of time, it should be dried before storing away. It is also important for it to be well ventilated while not in use to avoid a build up of odours.

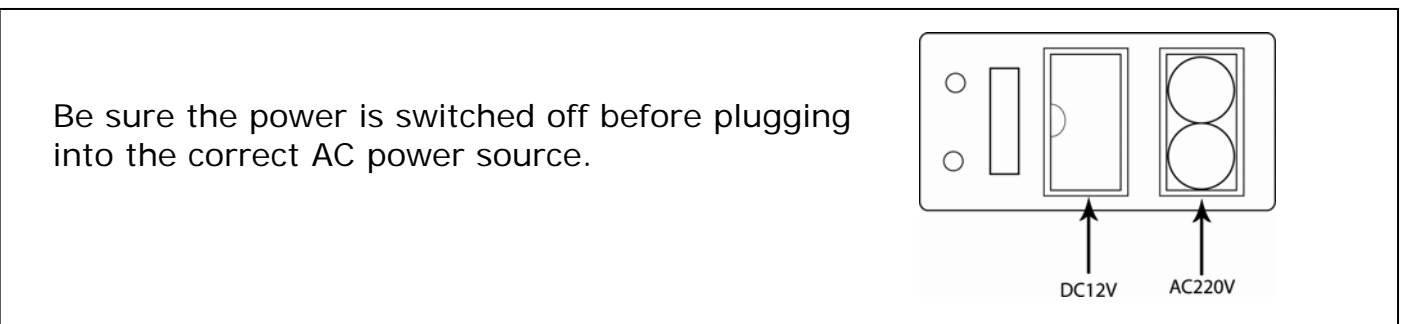
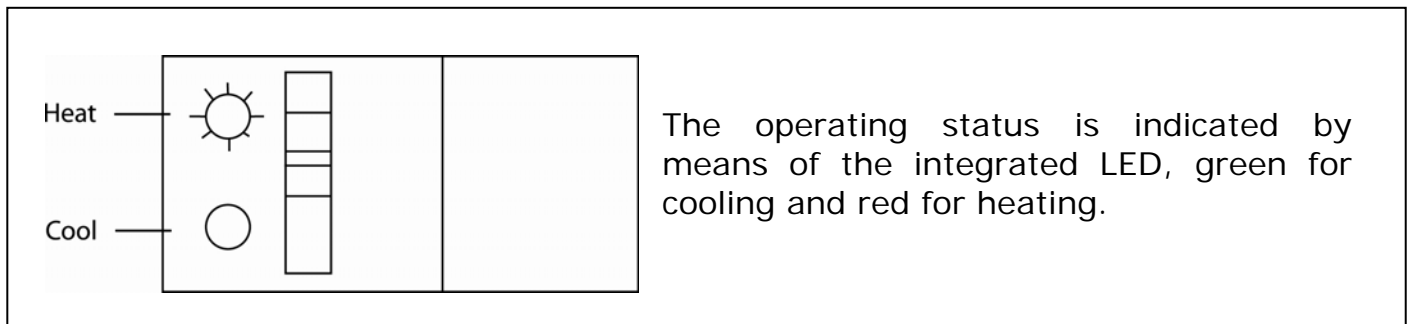
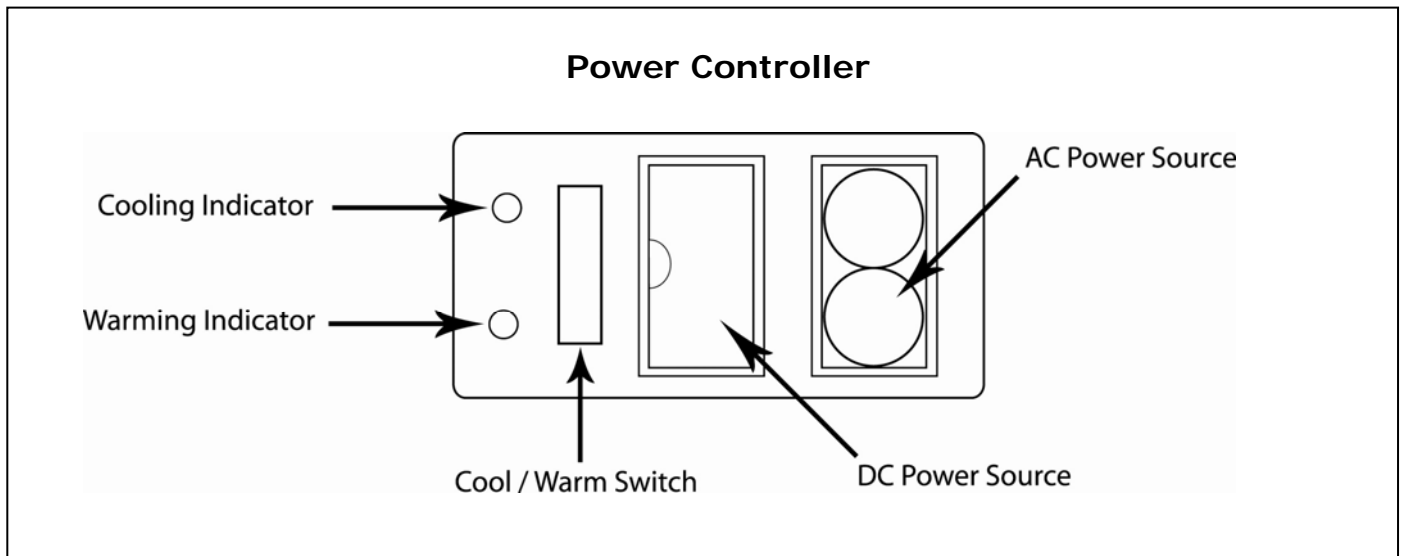
If your Escape 2-way fridge frosts, pull out the plug, open the door and take out the food. Then defrost and use a cloth to clean it.

## 3. Operating Instructions

1. Ensure that the cables, plugs, and sockets are not damaged before using to avoid electrical shocks, burns and fires.
2. Do not confuse the AC and DC sockets. Use the appliance via the DC socket when using the car cigarette lighter plug and the AC socket via a power point. Never use the two sockets at the same time.
- 3. The power switch should be set at the *OFF* position for at least three minutes before changing the working mode from cold to warm and vice versa.**
4. Never shake or drop your Escape 2-way fridge. Always take out the plug when moving the appliance to avoid damaging the cable and socket.
5. Keep your Escape 2-way fridge away from water to avoid electrical shocks and other accidents.

6. Always use in a well ventilated room and never block the ventilation hole.
7. The Escape 2-way fridge is not a freezer. Do not store frozen foods.  
**REMEMBER:** The Escape 2-way fridge is based on ambient temperature. It will cool to 18-22°C below ambient temperature which means that if it is 30°C in the boot of your car, the Escape fridge will cool to approximately 10°C. **When refrigerating, the best results are achieved when you fill your cooler with food and beverages which are already cool.**

## Parts



## 4. Troubleshooting

PROBLEM	CAUSE	SOLUTION
Your Escape 2-way fridge does not function and the fan wheel visible from the outside is not turning.	<p>A. The ignition must be switched on for the cigarette lighter to supply current. It is possible that the cigarette lighter in your vehicle is not receiving any current.</p> <p>B. The ignition is switched on but the fridge is not working.</p>	<p>Remove the plug from the socket immediately and check the following:</p> <ul style="list-style-type: none"> <li>- Check the plug and make sure it is connected with the socket tightly.</li> <li>- The mounting may have become clogged with burnt tobacco, if so, clean the middle contact pin with a non-metal brush and solvent.</li> <li>- The connecting plug is fitted with a fuse (5A) for safety reasons. Check whether the fuse has burnt out.</li> <li>- A fuse (15A) has been fitted for the cigarette lighter of your vehicle. Check whether the fuse has burnt out.</li> <li>- If either of the above fuses have been burnt out, they will need to be replaced, consult an auto electrician.</li> </ul>
Your Escape 2-way fridge does not cool satisfactorily.	<p>A. The outside fan may not be turning, which means it may be defective.</p> <p>B. The inside fan wheel is not turning, which means that the inside fan motor may be defective.</p>	<ul style="list-style-type: none"> <li>- Take your fridge in to be looked at by an electrical specialist or return to Kiwi Camping Company Ltd. for inspection.</li> <li>- Open the lid in order to check the function of the inside fan wheel. If it is not turning, take your fridge in to be looked at by an electrical specialist or return to Kiwi Camping Company Ltd. for inspection.</li> </ul>
Your Escape 2-way fridge does not cool but the fan wheels are turning.	<p>A. The peltier unit may be defective.</p>	<p>Take your fridge in to be looked at by an electrical specialist or return to Kiwi Camping Company Ltd. for inspection.</p>

Specifications	
Capacity:	28 Litres
Voltage:	AC 220-240V – 50W – 0.21 AMPS DC 12V – Approx 50W – 4 AMPS
Cooling:	18-22°C below ambient temperature
Warming:	+65°C by set point thermostat
Weight:	8.6kg
Dimensions:	44.5cmW x 34cmD x 41.5cmH