



Washing Machine Instruction Manual

WBW-91280

INSTRUCTION MANUAL

■ Economic wash system

Using artificial intelligence, the washer uses minimum energy and water by selecting optimal water level and washing time.

■ Low noise system

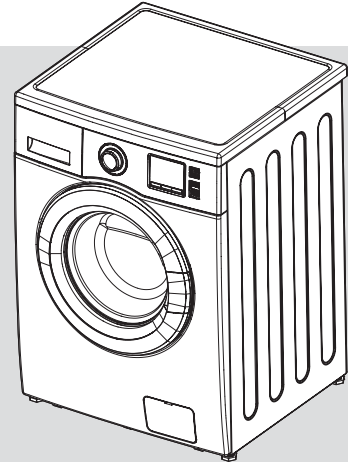
The washer minimizes the washing and spinning noises by sensing the amount of laundry.

■ Child-Lock

The Child-Lock system has been used to prevent children from pressing any button to change the program during operation.

■ Air bubble washing

This is an advanced technology that generates millions of air bubbles inside the drum on washing sequence, and the bubbles dissolve the detergent particles completely and cleanse all the soil in clothes gently and neatly.



CONTENTS

Page

WASHER SAFETY	2
PARTS AND FEATURES	4
INSTALLATION INSTRUCTIONS	5
INLET HOSE CONNECTION	6
ELECTRICAL REQUIREMENTS	7
OPERATING YOUR WASHER	8
THE FUNCTIONS OF THE CONTROL PANEL	10
WASHING PROCEDURE AND PROGRAM SELECTION	11
PRODUCT INFORMATION	25
MAINTENANCE	26
HOW TO CLEAN THE FILTER	27
REMOVING STAINS	28
TROUBLE SHOOTING	29
SPECIFICATION & WIRING DIAGRAM	30

A NOTE TO YOU

Thank you for buying a MORRIS appliance.

MORRIS washers are easy to use, save time, and help you manage your home better.

This manual contains valuable information about how to operate and maintain your washer properly and safely.

Please read it carefully.

WASHER SAFETY

Save these instructions

Your safety is important to us.

To reduce the risk of fire, electrical shock, or injury when using your washer adhere to the following basic precautions.

Read all instructions before using your washer

- Flammable fluids (dry-cleaning solvents, kerosene, gasoline, etc.) should not be used or stored in or near your washer. Do not add flammable fluids to your wash water. These substances give off vapors that can create a fire hazard or explosion.
- After starting a cycle, do not reach into the washer until all motions stop.
- Do not tamper with the controls.
- The appliance is not intended for use by young children or infirm persons without supervision.
- If the supply cord is damaged, it must be replaced by the manufacturer, or its service agent or a similarly qualified person in order to avoid a hazard.
- If the appliance is supplied from a cord extension set or electrical portable outlet device it should be positioned so that it is not subjected to splashing or ingress of moisture.

Please ...

- Have only a qualified person install, repair, or replace parts on washer.
- Maintain washer properly.
- Protect washer from the weather and keep it where the temperature will not fall below freezing.
- Do not install the washer at a place of extremely high humidity. It could cause an electric shock or a short circuit.
- Connect washer to the correct outlet, electrical supply, water supply, and drain supply.

WASHER SAFETY

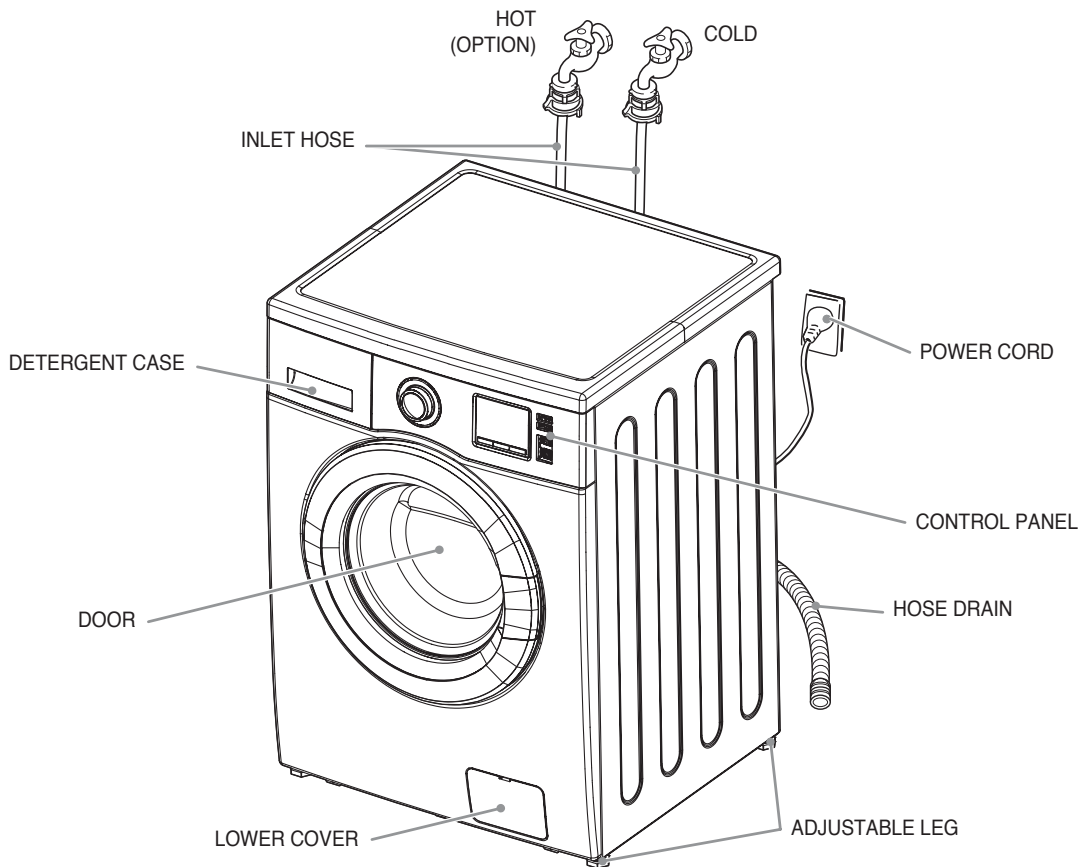
Understanding your responsibilities

- Do not use chlorine bleach and ammonia or acid(such as vinegar or rust remover) in the same wash. Hazardous fumes can form.
- Unplug power supply cord before attempting to service your washer.
- Do not wash fiberglass material.
Small particles can stick to fabrics washed in following loads and cause skin irritation.
- Do not spray water on the control panel of the washer.
It could cause fire or an electric shock.
- In case of the dual valve model, if you connect only cold water inlet valve, while water temperature is selected as hot or warm, there can be water leakage from unconnected water inlet valve.
- This appliance must be grounded.
To avoid electrical shock, use a metal pipe for the ground connection.
- This appliance can be used by children aged from 8 years and above and persons with reduced physical, sensory or mental capabilities or lack of experience and knowledge if they have been given supervision or instruction concerning use of the appliance in a safe way and understand the hazard involved.
- Children shall not play with the appliance.
- Cleaning and user maintenance shall not be made by children without supervision.
- Children of less than 3 years should be kept away unless continuously supervised.
- If you want to obtain user manual, please visit our Store, Our Dealer and Authorized Service Center.

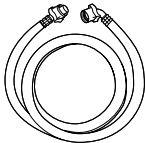


PARTS AND FEATURES

The parts and features of your washer are illustrated on the page. Become familiar with all parts and features before using your washer.

NOTE
 The drawings in the book may vary from your washer model. They are designed to show the different features of all models covered by this book, Your model may not include all features.



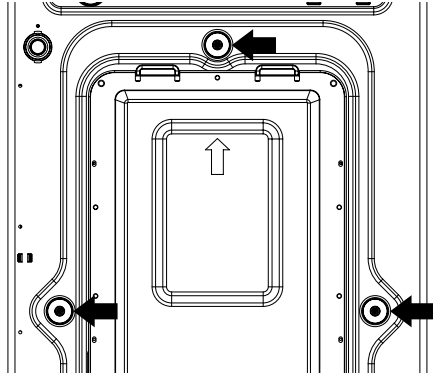
Accessories

Inlet hose	Manual	Cap holder(3EA)
		

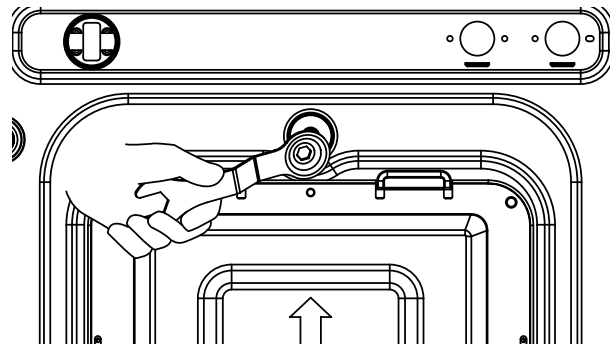
INSTALLATION INSTRUCTIONS

Removing transit bolts

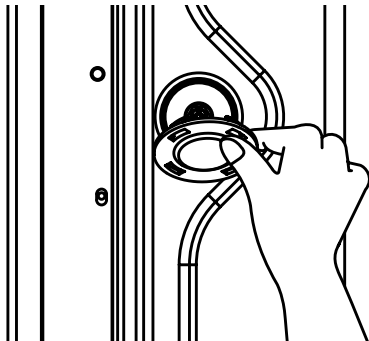
1. Before operating the washer, remove the transit bolts(3ea) along with the rubber.
 - If the bolts are not removed, it may cause heavy vibration, noise and malfunction.



2. Unscrew the 3 bolts with the 10mm hex wrench or spanner or cross-tip screwdriver. Keep the 3 bolts for a later time.
 - When the appliance is transported, transit bolts will be re-used.



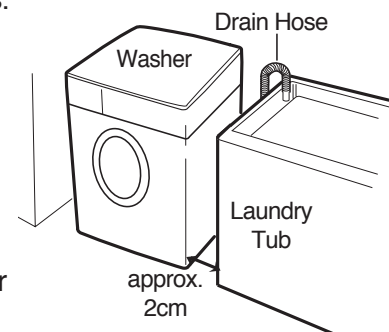
3. Close the holes with the cap holders supplied.



Location of washer

- Check location where the washer will be installed. Make sure you have everything necessary for correct installation.
- Do not place or store your washer below 0°C (32°F) to avoid any damage from freezing.
- Do not place or store laundry products on top of washer at any times.
- Install the washer on the horizontal solid floor.

If the washer is installed on an unsuitable floor, it could make considerable noise, vibrate severely and cause a malfunction. If the washer is not level, adjust leg up or down for horizontal installation.
- Ventilation openings must not be obstructed by carpeting when the washer is installed on a carpeted floor.
- Leave some space (right & left : 2cm, rear : 10cm).
- In case of built-in installation, the distance between top of the washer and bottom of upper plate should be at least 3mm.



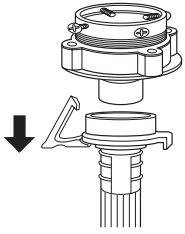
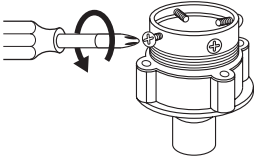
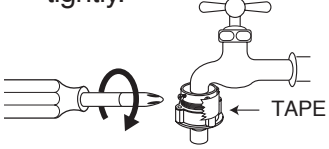
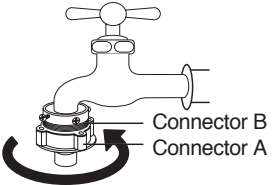
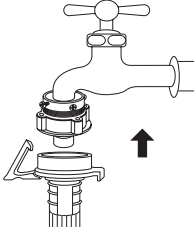
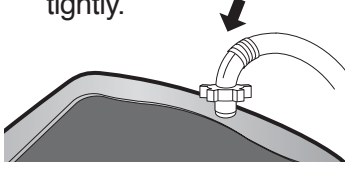
INLET HOSE CONNECTION

The washer should be connected to the water mains using new hose sets and old hose sets should not be reused.

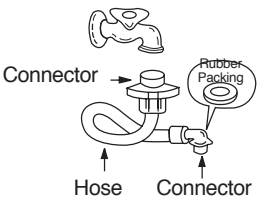
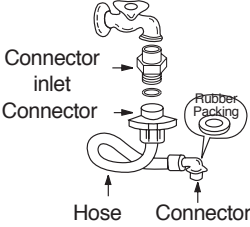

In using only one water tap or in case of only one water inlet valve, connect the inlet hose to the cold water inlet valve.

Option : Be careful not to confuse hot water inlet and cold water inlet.

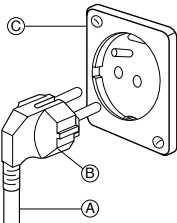
For Ordinary Tap

<p>① Pull down the collar of the inlet hose to separate it from the water tap adapter.</p> 	<p>② Loosen the four screws properly in fitting into water tap.</p> 	<p>③ Fit the water tap adapter into the water tap and tighten the four screws evenly while pushing up the adapter so that the rubber packing can attach to the water tap tightly.</p> 
<p>④ Remove the tape, and screw connector B into connector A tightly.</p> 	<p>⑤ Connect the inlet hose to the water tap adapter by pulling down the collar of the hose end.</p> 	<p>⑥ Connect the inlet hose adapter of the hose to the water inlet of the washing machine by turning it clockwise to be fixed tightly.</p>  <p>• Please check the rubber packing inside the inlet hose adapter of the hose.</p>

For Screw-Shaped Tap

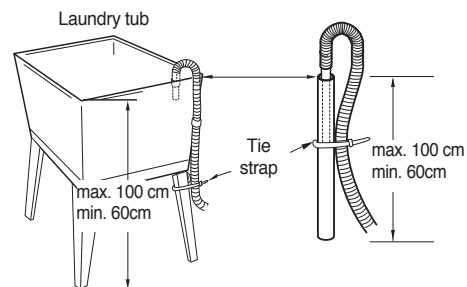
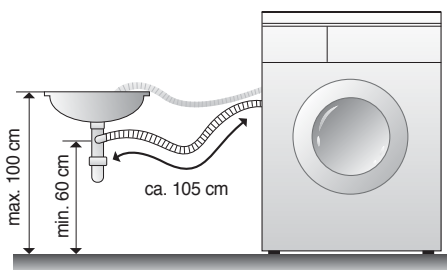
<p>① Connect the inlet hose to the water tap by screwing the connector tightly.</p> 	<p>② Connect the connector-inlet supplied if necessary.</p> 	<p>③ Insert the inlet hose adapter into the water inlet of a washing machine and turn it to be fixed.</p>  <p>* Check the packing in the inlet</p>
---	---	---

ELECTRICAL REQUIREMENTS

WARNING	Electrical shock hazard : Failure to follow these instructions could result in death or serious injury.	
<ul style="list-style-type: none"> • Electrical earth is required on this washer. • If it does not fit the outlet, have a proper outlet installed by a qualified electrician. 	<ul style="list-style-type: none"> • Don't earth to a gas pipe. • Don't change the power supply cord plug. • Check with a qualified electrician if you are not sure the washer is properly earthed. 	
Recommended earthing method		
	<p>For your personal safety, this washer must be earthed.</p> <p>This washer is equipped with a power supply cord 'A' having a earthing plug 'B'. To minimize possible shock hazard, the cord must be plugged into a mating earthing-type wall receptacle 'C'. If a mating wall receptacle is not available, it is the personal responsibility and obligation of the customer to have the proper earthed wall receptacle installed by a qualified electrician.</p>	

Drain system

- Never forget to install drain hose before operating your washer.
- Open the packing box, and there is a drain hose inside the drum.
- Connect the drain hose to the drain outlet at the back side of the washer.
- Top of laundry tub must be at least 60cm high and no higher than 100cm from bottom of washer.



- When installing the drain hose to tub(sink), secure it tightly with a cable tie or other suitable device.
- Proper securing of the drain hose will protect the floor from damage due to water leakage.
- When the drain hose is too long, do not force it back into the washer. This will cause abnormal noise.

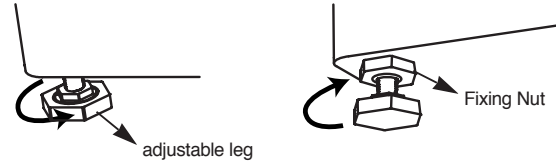
Level adjustment

- ① If the washer is installed on an unsuitable floor, it could make considerable noise, vibrate and cause a malfunction.



② Adjust the level of washer using adjustable legs.

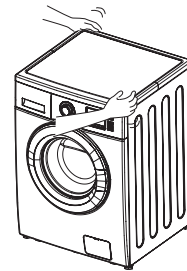
- Please check if there is any gap between the four adjustable legs and the floor.
- Adjust the level of washer by turning adjustable legs. And make it sure that there is no swaying of washer.
- After the adjustment is finished, turn the fixing nuts up tightly so that the washer maintains the adjustment.



③ Make it sure that the washer does not sway when you press down the four corners of the washer's top plate.

NOTE

There should be no swaying of washer and all the adjustable legs should stick to the floor closely.

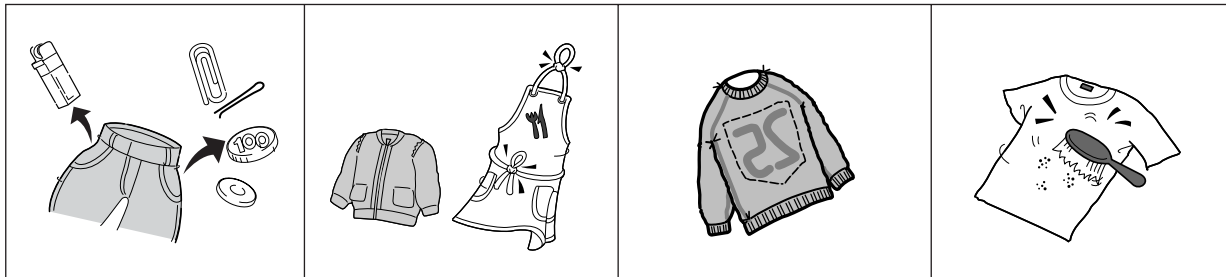


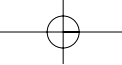
OPERATING YOUR WASHER

To obtain the best washing results, you must operate your washer properly. This section gives you this important information.

Preparing clothes for washing

- | | |
|--|--|
| <ul style="list-style-type: none"> • Close zippers, snaps, and hooks to avoid snagging other items.
Remove pin, buckles, and other hard objects to avoid scratching the washer interior. • Empty pockets and pull them inside out. | <ul style="list-style-type: none"> • Turn down cuffs and turn synthetic knits inside out to avoid pilling. • Tie strings and sashes to avoid tangling. • Treat spots and stains.
(See "Removing stains" on page 27) |
|--|--|





Sorting

- Separate heavily soiled items from lightly soiled ones, even if they would normally be washed together.
- Separate dark colors from light colors, colorfast items from non-colorfast item.

Soil (Heavy, Normal, Light)
Color (White, Lights, Dark)
Lint (Lint producers, Collectors)

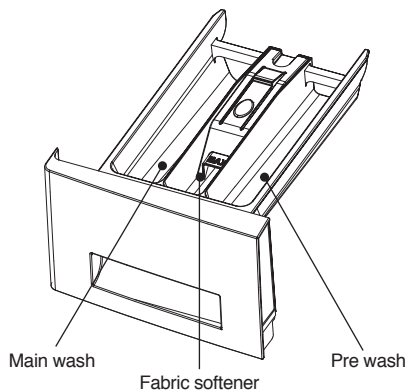
Separate clothes according to amount of soil.
Separate white clothes from colored clothes.
Wash lint producers and lint collectors separately.

Loading

- Drop items into washer loosely. Items should move easily through wash water for best cleaning and wrinkle-free results.
- Load washer properly and select correct load size setting.
Overloading and selecting a setting too small for the wash load can :
 - Cause poor cleaning
 - Increase wrinkling
 - Create excessive lint
 - Wear out items faster (because of pilling)
- Mix large and small items in each load. Load evenly to maintain washer balance.
An unbalanced load can make the washer vibrate during spin.
- Reduce wash time when using a small load size setting. Load with only a few small items needs less wash time.
- Use a large load size setting to reduce wrinkling with permanent press clothes and some synthetic knits. These items should have more room to move in the water than heavy items. (towels, jeans)

Adding detergent

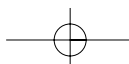
① Detergent case



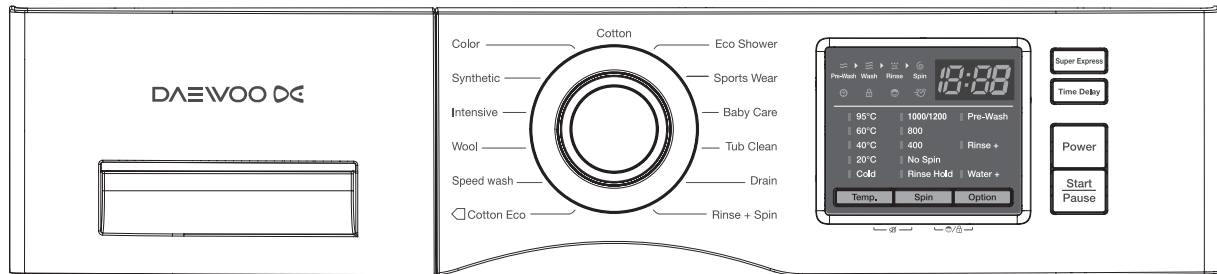
② Adding fabric softener


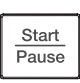

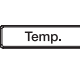
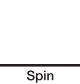





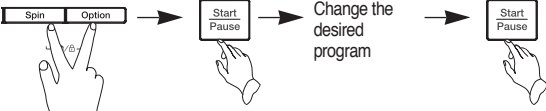

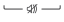
- If desired, add measured liquid fabric softener to the softener inlet.
- Pour liquid fabric softener into the dispenser using the amount recommended on the package.
- Do not exceed the maximum fill line.
Overfilling can cause early dispensing of the fabric softener which could stain clothes.
- Do not open the detergent case when water is supplied.
- Avoid pouring fabric softener directly on the clothes.

- Please use only the powder detergent for the front loader washing machine.
- Please use the proper amount of detergent in conformity with the instruction of the detergent manufacturer.
- A use of a large amount of detergent more than the recommended amount can cause many soapsuds and the overload to the motor. In addition to, this will deteriorate the washing and rinse performance.



THE FUNCTIONS OF THE CONTROL PANEL



	<p>Press this switch to turn the power on or off.</p>
	<p>Operation and temporary stop is repeated as it is pressed. When you want to change program in operating; Press the 'Start/Pause' button → Select the program that you want to change → Press the 'Start/Pause' button again.</p>
	<p>You can select the course you want, and each lamp is turned on when that course is selected. For the more detailed information, please refer to the page 12~24.</p>
	<p>It can be used to adjust temperature of water according to types of the load to be washed. As the button is pressed, temperature of water is selected by Cold → 20°C → 40°C → 60°C → 95°C</p>
	<p>By pressing the spin button, the spin speed can be chosen. Rinse Hold • Is selected by pressing the spin button repeatedly. This function leaves clothes in the machine; suspended in the water after a rinse without entering into spin. • To proceed through to a drain or spin, after the Rinse Hold function is completed, use spin button. Spin Only • If you want only spin, you can operate spin only. (See page 24.)</p>
	<p>Pre-Wash • The washer operates one additional wash and spin before the main wash. • If the laundry is heavily soiled, Pre-Wash course is effective. • Pre-Wash is available in Cotton, Baby Care and Synthetic programs. Rinse+ • Is used to add a rinse, which may assist in removing traces of detergent residue. • By selecting Rinse+ function, the rinse time and the rinse water are increased. Water+ • If you want to use more water in the rinsing, press this button.</p>
	<p>Use this function when you want to reduce the laundry time or wash the mild dirty. It reduce the laundry time and number of rinse.</p>
	<p>It can be used to pre-engage time for wash. Reservation can be made from 1 hours to 12 hours.</p>
 	<p>Use this function when you want to protect any accident occurring from handling of washer by a child. During an operation of washer, press 'Spin' and 'Option' buttons simultaneously. In Child Lock mode, no button functions except for Power button. In Child Lock mode, press 'Spin' and 'Option' buttons simultaneously like setting Child Lock and Child Lock is cancelled. To change to the desired program, while in Child Lock mode; 1. Press both the 'Spin' and 'Option' buttons together once again. 2. Press the Start/Pause button. 3. Select the desired program and press the Start/Pause button again. • The Child Lock will be cancelled when power is off.</p> 
 	<p>Use this function when you want not to ring the buzzer. During an operation of washer, press 'Temp.' and 'Spin' buttons simultaneously. You should set this function whenever you want to use.</p>

WASHING PROCEDURE AND PROGRAM SELECTION

1. COTTON IS AUTOMATICALLY SELECTED UPON POWER ON

- Press the Power button to start.
- Press the Start/Pause button.
- Initial condition.
 - Program : Cotton
 - Wash : main wash
 - Rinse : 3 times
 - Spin : 800 rpm
 - Water temperature : 40°C

2. MANUAL SELECTING

- Press the Power button to start.
- Select the conditions which you want to use by turning the program dial and pressing each button.
- Press the Start/Pause button.

3. RESERVED WASHING

- Reservation can be made from 2 hours to 12 hours.
example) To make reservation to complete washing in 8 hours.
- Procedure to press the button.



- * Each pressing of the button advances time delay by one hour.
- Now the reservation is made.
- If you want to check the selected program, press the 'Start/Pause' button again.
- Preparing washing before starting 'Time Delay';
 - Turn on the water tap.
 - Load laundry and close the door.
 - Place the detergent and fabric softener in the detergent case.
- To cancel the time delay, press the Power button.

4. FUNCTION

- Recommended programs according to the laundry type.

Program	Fabric Type	Proper Temp.	Option	Detergent	Maximum Load
Cotton	First check if laundry is machine washable.(white cotton, linen towel and sheets, ...)	60°C (95°C)	Pre-Wash Rinse+ Water+	Standard detergent containing bleach and optical brighteners	Rating
	Colorfast garments (shirts, night dresses, pyjamas, ...) and lightly soiled white cottons. (underwear, ...)	40°C (Cold, 20°C, 60°C)	Pre-Wash Rinse+ Water+		Rating
Color	Colored laundry which is lightly soiled fast.	Cold	Rinse+ Water+	Colour/mild detergent without optical brighteners	Less than 2.0kg
Synthetic	Polyamide, Acrylic, Polyester.	40°C (Cold, 20°C, 60°C)	Pre-Wash Rinse+ Water+	Colour/mild detergent without optical brighteners	Less than 2.0kg
Intensive	Highly soiled laundry.	40°C (Cold, 20°C, 60°C)	Pre-Wash Rinse+ Water+	Standard detergent containing bleach and optical brighteners	Less than 2.0kg
Wool	Machine washable woollens with pure new wool only.	Cold (20°C, 40°C)	Rinse+ Water+	Detergent for woollens	Less than 2.0kg
Speed Wash	Colored laundry which is lightly soiled fast.	Cold	Rinse+ Water+	Mild detergent	Less than 2.0kg
Cotton Eco	Laundry type is the same as Cotton.	40°C (60°C)	Rinse+ Water+	Standard detergent containing bleach and optical brighteners	Rating
Rinse+Spin	Refer to Cotton program	Cold	Rinse+ Water+		Rating
Drain	Drain water in drum to outside	-	-	-	Rating
Tub Clean	Use to clean the Tub and Drum.	Cold	Rinse+ Water+	Special washing machine cleaner or a quart of white vinegar for a natural alternative	Without load
Baby Care	Baby clothes.	95°C (Cold, 20°C, 40°C, 60°C)	Pre-Wash Rinse+ Water+	Mild detergent	Less than 2.0kg
Sports Wear	Lightly soiled fast and thin laundry.	Cold (20°C, 40°C)	Rinse+ Water+	Colour/mild detergent without optical brighteners	Rating
Eco Shower	Highly soiled laundry.	Cold (20°C, 40°C, 60°C, 95°C)	Rinse+ Water+	Standard detergent containing bleach and optical brighteners	Rating

- Pre-Wash : If the laundry is heavily soiled, 'Pre-Wash' program is recommended. Pre-Wash is available in Cotton, Synthetic, intensive and Baby Care programs.
- Rinse+ : Used to introduce an additional rinse, which may assist in removing traces of detergent residue.
- Water+ : If you want to use more water in the rinsing, press this button.
- Rinse Hold : This function leaves clothes in the machine suspended in the water after a rinse without entering into spin. Rinse Hold option is selectable with all programs except Tub Clean program and Drain option.
- Super Express : If you want to reduce the laundry time and save the energy consumption, this option is recommended. After select a program and press this option. The appropriate amount of laundry for this option is below 2.0kg.
- The instruction on a detergent label could differ from above recommendation. In that case, following the usage by detergent manufacturer is recommended.

*** COTTON PROGRAM**

1	<p>Put the laundry in the drum. Put detergent and softener into the detergent case. Then close the door.</p> <ul style="list-style-type: none"> • Put detergent into the main wash and prewash compartments in the detergent case. Softener should be below the 'MAX' level. • Put detergent into the prewash compartment only if you want to add Pre-Wash option. • When you want to use bleach, put it into the main wash compartment with detergent.
2	<p>Press the Power button.</p> <ul style="list-style-type: none"> • The LED shows only '---' and all Program Lights turn on.
3	<p>Select the 'Cotton' program using program selection dial.</p> <ul style="list-style-type: none"> • If you press Start/Pause button after Power button without selecting program, the 'Cotton' program is selected as default program. • Washing temperature '40°C', spin '800' rpm and rinse '3' times are selected automatically. • If you want to change washing temperature, the spin velocity or options(Pre-Wash, Rinse+, Water+, Time Delay, Super Express), press each button.
4	<p>Press Start/Pause button.</p> <ul style="list-style-type: none"> • The Door is locked. By sensing the weight of laundry and supplying wash water, the appliance starts washing.

Note

- If you want to change the setting during operation, press the Start/Pause button to hold the operation and press the button you want.
- 'Cold', '20°C', '40°C', '60°C' and '95°C' washing temperatures are selectable with Cotton program.
- 'Pre-Wash' and 'Rinse+' and 'Water+' and 'Time Delay,' 'Super Express' options are selectable with Cotton program.

Caution!

- If you select washing temperature '95°C', some cold water is supplied before the drain of main wash. This is to protect the user from the hazard of burn injury by lowering the temperature of hot wash water instead of directly draining it. Therefore this is not a malfunction. (Be careful with the draining water, since it can be still hot although the temperature is lowered.)

*** COLOR PROGRAM**

1	<p>Put the laundry in the drum. Put detergent and softener into the detergent case. Then close the door.</p> <ul style="list-style-type: none"> Put detergent into the main wash compartment in the detergent case. Softener should be below the 'MAX' level. When you want to use bleach, put it into the main wash compartment with detergent.
2	<p>Press the Power button.</p> <ul style="list-style-type: none"> The LED shows only '---' and all Program Lights turn on.
3	<p>Select the 'Color' program using program selection dial.</p> <ul style="list-style-type: none"> Washing temperature 'Cold', spin '800' rpm and rinse '2' times are selected automatically. If you want to change the spin velocity or options(Rinse+, Water+, Time Delay, Super Express), press each button.
4	<p>Press Start/Pause button.</p> <ul style="list-style-type: none"> The Door is locked. By sensing the weight of laundry and supplying wash water, the appliance starts washing.

Note

- If you want to change the setting during operation, press the Start/Pause button to hold the operation and press the button you want.
- Only 'Cold' washing temperature is selectable with Color program.
- 'Rinse+' and 'Water+' and 'Time Delay' and 'Super Express' options are selectable with Color program.
- The appropriate amount of laundry for Color program is below 2.0kg.

*** INTENSIVE PROGRAM**

1	<p>Put the laundry in the drum. Put detergent and softener into the detergent case. Then close the door.</p> <ul style="list-style-type: none"> Put detergent into the main wash compartment in the detergent case. Softener should be below the 'MAX' level. When you want to use bleach, put it into the main wash compartment with detergent.
2	<p>Press the Power button.</p> <ul style="list-style-type: none"> The LED shows only '---' and all Program Lights turn on.
3	<p>Select the 'Intensive' program using program selection dial.</p> <ul style="list-style-type: none"> Washing temperature '40°C', spin '800' rpm and rinse '3' times are selected automatically. If you want to change washing temperature, the spin velocity or options(Pre-Wash, Rinse+, Water+, Time Delay, Super Express), press each button.
4	<p>Press Start/Pause button.</p> <ul style="list-style-type: none"> The Door is locked. By sensing the weight of laundry and supplying wash water, the appliance starts washing.

Note

- If you want to change the setting during operation, press the Start/Pause button to hold the operation and press the button you want.
- Only 'Cold', '20°C', '40°C' and '60°C' washing temperatures are selectable with Intensive program.
- 'Pre-Wash' and 'Rinse+' and 'Water+' and 'Time Delay' and 'Super Express' options are selectable with Intensive program.
- The appropriate amount of laundry for Intensive program is below 2.0kg.

*** COTTON ECO PROGRAM**

1	<p>Put the laundry in the drum. Put detergent and softener into the detergent case. Then close the door.</p> <ul style="list-style-type: none"> • Put detergent into the main wash compartment in the detergent case. Softener should be below the 'MAX' level. • When you want to use bleach, put it into the main wash compartment with detergent.
2	<p>Press the Power button.</p> <ul style="list-style-type: none"> • The LED shows only '---' and all Program Lights turn on.
3	<p>Select the 'Cotton Eco' program using program selection dial.</p> <ul style="list-style-type: none"> • Washing temperature '40°C', spin '1400' rpm and rinse '3' times are selected automatically. • If you want to change washing temperature, the spin velocity or options(Rinse+, Water+, Time Delay), press each button.
4	<p>Press Start/Pause button.</p> <ul style="list-style-type: none"> • The Door is locked. By sensing the weight of laundry and supplying wash water, the appliance starts washing.

Note

- If you want to change the setting during operation, press the Start/Pause button to hold the operation and press the button you want.
- Only '40°C', '60°C' washing temperature is selectable with Cotton Eco program.
- 'Rinse+' and 'Water+' and 'Time Delay' options are selectable with Cotton Eco program.

* BABY CARE PROGRAM

1	<p>Put the laundry in the drum. Put detergent and softener into the detergent case. Then close the door.</p> <ul style="list-style-type: none"> • Put detergent into the main wash and prewash compartments in the detergent case. Softener should be below the 'MAX' level. • Put detergent into the prewash compartment only if you want to add Pre-Wash option. • When you want to use bleach, put it into the main wash compartment with detergent.
2	<p>Press the Power button.</p> <ul style="list-style-type: none"> • The LED shows only '---' and all Program Lights turn on.
3	<p>Select the 'Baby Care' program using program selection dial.</p> <ul style="list-style-type: none"> • Washing temperature '95°C', spin '400' rpm and rinse '3' times are selected automatically. • If you want to change washing temperature, the spin velocity or options (Pre-Wash, Rinse+, Water+, Time Delay), press each button.
4	<p>Press Start/Pause button.</p> <ul style="list-style-type: none"> • The Door is locked. By sensing the weight of laundry and supplying wash water, the appliance starts washing.

Note

- If you want to change the setting during operation, press the Start/Pause button to hold the operation and press the button you want.
- 'Cold', '20°C', '40°C', '60°C' and '95°C' washing temperatures are selectable with Baby Care program.
- More than '800'rpm of spin velocity is not selectable with Baby Care program in order to protect damage on laundry.
- 'Pre-Wash' and 'Rinse+' and 'Water+' and 'Time Delay' options are selectable with Baby Care program.
- The appropriate amount of laundry for Baby Care program is below 2.0kg.

Caution!

- If you select 'Baby Care' program, some cold water is supplied before the drain of main wash. This is to protect the user from the hazard of burn injury by lowering the temperature of hot wash water instead of directly draining it. Therefore this is not a malfunction. (Be careful with the draining water, since it can be still hot although the temperature is lowered.)

*** TUB CLEAN PROGRAM**

1	Put 250ml of chlorine bleach mixed with 500ml of detergent into the detergent case. Then close the door.
2	Press the Power button. • The LED shows only '---' and all Program Lights turn on.
3	Select the 'Tub Clean' program using program selection dial. • Washing temperature 'Cold' , spin '400' rpm and rinse '2' times are selected automatically. • If you want to change options(Rinse+, Water+, Time Delay), press each button.
4	Press Start/Pause button. • The washer will be operated with locking Door and supplying water.

Note

- All programs are not selectable except for rinse time(s).
- 'Rinse+' and 'Water+' and 'Time Delay ' options are selectable with Tub Clean program.
- Only 'Cold' washing temperature is selectable with Tub Clean program.
- Only '400'rpm of spin velocity is selectable with Tub Clean program.
- Use this program without load.
- The appropriate cleaning time is one time per a month.

*** SPORTS WEAR PROGRAM**

1	<p>Put the laundry in the drum. Put detergent and softener into the detergent case. Then close the door.</p> <ul style="list-style-type: none"> • Put detergent into the main wash compartment in the detergent case. Softener should be below the 'MAX' level. • When you want to use bleach, put it into the main wash compartment with detergent.
2	<p>Press the Power button.</p> <ul style="list-style-type: none"> • The LED shows only '---' and all Program Lights turn on.
3	<p>Select the 'Sports Wear' program using program selection dial.</p> <ul style="list-style-type: none"> • Washing temperature 'Cold' , spin '800' rpm and rinse '2' times are selected automatically. • If you want to change washing temperature, the spin velocity or options(Rinse+, Water+, Time Delay), press each button.
4	<p>Press Start/Pause button.</p> <ul style="list-style-type: none"> • The Door is locked. By sensing the weight of laundry and supplying wash water, the appliance starts washing.

Note

- If you want to change the setting during operation, press the Start/Pause button to hold the operation and press the button you want.
- 'Cold', '20°C and '40°C washing temperatures are selectable with Sports Wear program.
- More than '800'rpm of spin velocity is selectable with Sports Wear program in order to protect damage on laundry.
- 'Rinse+' and 'Water+' and 'Time Delay ' options are selectable with Sports Wear program.

*** SPEED WASH PROGRAM**

1	<p>Put the laundry in the drum. Put detergent and softener into the detergent case. Then close the door.</p> <ul style="list-style-type: none"> • Put detergent into the main wash compartment in the detergent case. Softener should be below the 'MAX' level. • When you want to use bleach, put it into the main wash compartment with detergent.
2	<p>Press the Power button.</p> <ul style="list-style-type: none"> • The LED shows only '---' and all Program Lights turn on.
3	<p>Select the 'Speed Wash' program using program selection dial.</p> <ul style="list-style-type: none"> • Washing temperature 'Cold', spin '800' rpm and rinse '2' times are selected automatically. • If you want to change washing temperature, the spin velocity or options(Rinse+, Water+, Time Delay), press each button.
4	<p>Press Start/Pause button.</p> <ul style="list-style-type: none"> • The Door is locked. By sensing the weight of laundry and supplying wash water, the appliance starts washing.

Note

- If you want to change the setting during operation, press the Start/Pause button to hold the operation and press the button you want.
- Only 'Cold' washing temperatures are selectable with Speed Wash program.
- 'Rinse+' and 'Water+' and 'Time Delay ' options are selectable with Speed Wash program.
- The appropriate amount of laundry for Speed Wash program is below 2.0kg.

*** WOOL PROGRAM**

1	<p>Put the laundry in the drum. Put detergent and softener into the detergent case. Then close the door.</p> <ul style="list-style-type: none"> • Put detergent into the main wash compartment in the detergent case. Softener should be below the 'MAX' level. • When you want to use bleach, put it into the main wash compartment with detergent.
2	<p>Press the Power button.</p> <ul style="list-style-type: none"> • The LED shows only '---' and all Program Lights turn on.
3	<p>Select the 'Wool' program using program selection dial.</p> <ul style="list-style-type: none"> • Washing temperature 'Cold', spin '400' rpm and rinse '2' times are selected automatically. • If you want to change washing temperature, the spin velocity or options(Rinse+, Water+), press each button.
4	<p>Press Start/Pause button.</p> <ul style="list-style-type: none"> • The Door is locked. By sensing the weight of laundry and supplying wash water, the appliance starts washing.

Note

- If you want to change the setting during operation, press the Start/Pause button to hold the operation and press the button you want.
- 'Cold', '20°C and '40°C washing temperatures are selectable with Wool program.
- More than '800'rpm of spin velocity is not selectable with Wool program in order to protect damage on laundry.
- 'Rinse+' and 'Water+' options are selectable with Wool program.
- The appropriate amount of laundry for Wool program is below 2.0kg.
- Use only special detergent for wool.
(Since special neutral detergent for wool creates a lot of bubbles, use appropriate amount.)

* SYNTHETIC PROGRAM

1	<p>Put the laundry in the drum. Put detergent and softener into the detergent case. Then close the door.</p> <ul style="list-style-type: none"> • Put detergent into the main wash and prewash compartments in the detergent case. Softener should be below the 'MAX' level. • Put detergent into the prewash compartment only if you want to add Pre-Wash option. • When you want to use bleach, put it into the main wash compartment with detergent.
2	<p>Press the Power button.</p> <ul style="list-style-type: none"> • The LED shows only '---' and all Program Lights turn on.
3	<p>Select the 'Synthetic' program using program selection dial.</p> <ul style="list-style-type: none"> • Washing temperature '40°C, spin '800' rpm and rinse '3' times are selected automatically. • If you want to change washing temperature the spin velocity or options(Pre-Wash, Rinse+, Water+, Time Delay, Super Express), press each button.
4	<p>Press Start/Pause button.</p> <ul style="list-style-type: none"> • The Door is locked. By sensing the weight of laundry and supplying wash water, the appliance starts washing.

Note

- If you want to change the setting during operation, press the Start/Pause button to hold the operation and press the button you want.
- 'Cold', '20°C, '40°C and '60°C washing temperatures are selectable with Synthetic program.
- 'Pre-Wash' and 'Rinse+' and 'Water+' and 'Super Express' options are selectable with Synthetic program.
- The appropriate amount of laundry for Synthetic program is below 2.0kg.

* ECO SHOWER PROGRAM

1	<p>Put the laundry in the drum. Put detergent and softener into the detergent case. Then close the door.</p> <ul style="list-style-type: none"> • Put detergent into the main wash compartment in the detergent case. Softener should be below the 'MAX' level. • When you want to use bleach, put it into the main wash compartment with detergent.
2	<p>Press the Power button.</p> <ul style="list-style-type: none"> • The LED shows only '---' and all Program Lights turn on.
3	<p>Select the 'Eco Shower' program using program selection dial.</p> <ul style="list-style-type: none"> • Washing temperature 'cold' , spin '800' rpm and rinse '3' times are selected automatically. • If you want to change washing temperature, spin velocity or options(Rinse+, Water+, Time Delay, Super Express), press each button.
4	<p>Press Start/Pause button.</p> <ul style="list-style-type: none"> • The Door is locked. By sensing the weight of laundry and supplying wash water, the appliance starts washing.

Note

- If you want to change the setting during operation, press the Start/Pause button to hold the operation and press the button you want.
- 'Cold', '20°C', '40°C', '60°C' and '95°C' washing temperatures are selectable with Eco Shower program.
- 'Rinse+' and 'Water+' and 'Time Delay' and 'Super Express' options are selectable with Eco Shower program.

Caution!

- If you select washing temperature '95°C', some cold water is supplied before the drain of main wash. This is to protect the user from the hazard of burn injury by lowering the temperature of hot wash water instead of directly draining it. Therefore this is not a malfunction. (Be careful with the draining water, since it can be still hot although the temperature is lowered.)

*** RINSE + SPIN**

1	<p>Press the Power button.</p> <ul style="list-style-type: none"> • The LED shows only '---' and all Program Lights turn on.
2	<p>Select the 'Rinse + spin' program using program selection dial.</p> <ul style="list-style-type: none"> • Spin '800' rpm and rinse '1' times are selected automatically. • If you want to change the spin velocity or options(Rinse+, Water+, Time Delay), press each button.
3	<p>Press Start/Pause button.</p> <ul style="list-style-type: none"> • The Door is locked. By sensing the weight of laundry and supplying wash water, the appliance starts rinsing.

Note

- All programs are not selectable except for rinse time(s).
- If you want to change the setting during operation, press the Start/Pause button to hold the operation and press the button you want..
- 'Rinse+' and 'Water+' and 'Time Delay' options are selectable with Rinse + Spin program.

*** DRAIN**

1	<p>Press the Power button.</p> <ul style="list-style-type: none"> • The LED shows only '---' and all Program Lights turn on.
2	<p>Press Start/Pause button.</p> <ul style="list-style-type: none"> • The door is locked. The appliance starts draining.

Note

- All progra and options are not selectable with Drain program.

*** SPIN ONLY**

1	<p>Put the laundry in the drum. Then close the door.</p>
2	<p>Press the Power button.</p> <ul style="list-style-type: none"> • The LED shows only '---' and all Program Lights turn on.
3	<p>Select the spin speed by pressing Spin button.</p>
4	<p>Press the Start/Pause button.</p> <ul style="list-style-type: none"> • The washing machine will start operating by locking the door.

PRODUCT INFORMATION

Most efficient programs for cotton laundry

The following programme are suitable for cleaning normally soiled cotton textiles and are the most efficient with respect to combined energy and water consumption.

Program		Load (kg)	Energy (kWh)	Water (L)	RMC (%)	Duration (min)
Cotton	60°C	9.0	1.07	53.5	49	231
		4.5	1.01	45.2	54	214
	40°C	4.5	0.61	46.6	52	163

The actual water temperature, energy, water, RMC and duration may differ from the declared value in the following table.

RMC(remaining moisture content) means the amount of moisture contained in the load at the end of the spinning phase.


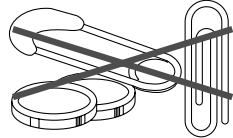
The power consumption of the off mode and of the left-on mode

the off mode	0.50 W	the left-on mode	0.50 W
--------------	--------	------------------	--------

MAINTENANCE

Proper care of your washer can extend its life. This section explains how to care for your washer properly and safely.

Cleaning your washer

Exterior	Interior
<p>Wipe up detergent, bleach, and other spills with a soft, damp cloth or sponge as they occur. Occasionally wipe the outside of the washer to keep its looking like new one.</p> 	<p>Clean interior with 250ml of chlorine bleach mixed with 500ml of detergent. Run washer through a complete cycle. Repeat this process if necessary.</p>
<p>Do not put sharp or metal object in your washer, or they can damage the finish. Check all pockets for pins, clips, money, bolts, nuts, etc. Do not lay these objects in your washer after emptying pockets.</p> 	

Winter storage or moving care

Install and store your washer where it will not freeze. Because some water may stay in the hoses, freezing can damage your washer.

If you store or move your washer during freezing weather, winterize it.

To winterize washer	To use washer again
<ul style="list-style-type: none"> • Turn off water faucet. • Disconnect and drain water inlet hoses. • Run washer on a drain and spin setting (see page 11) for 1 minute. • Unplug the power supply cord. 	<ul style="list-style-type: none"> • Flush water pipes and hoses. • Reconnect water inlet hoses. • Turn on water faucet. • Reconnect power supply cord.

Non-use or vacation care

Operate your washer only when you are at home.

If you are on vacation or Don't use your washer for an extended period of time, you should:

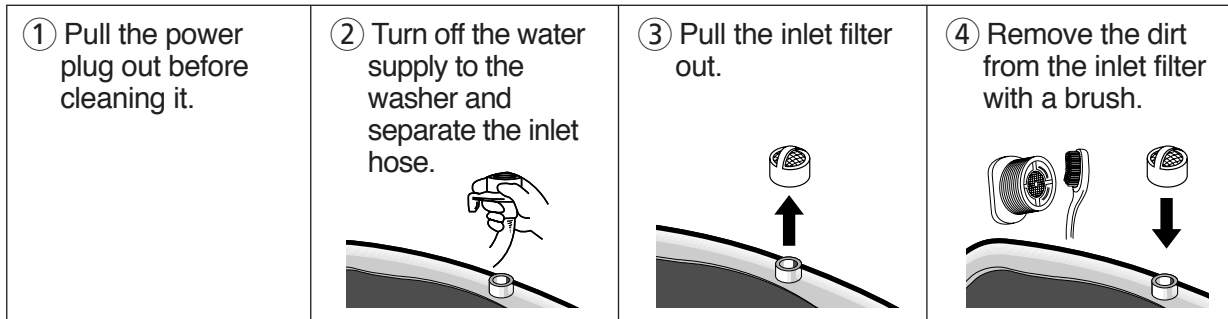
- Unplug the power supply cord or turn off electrical power to the washer.
- Turn off the water supplier to the washer.

This helps avoid accidental flooding (due to a water pressure surge) while you are away.

HOW TO CLEAN THE FILTER

Cleaning the water inlet filter

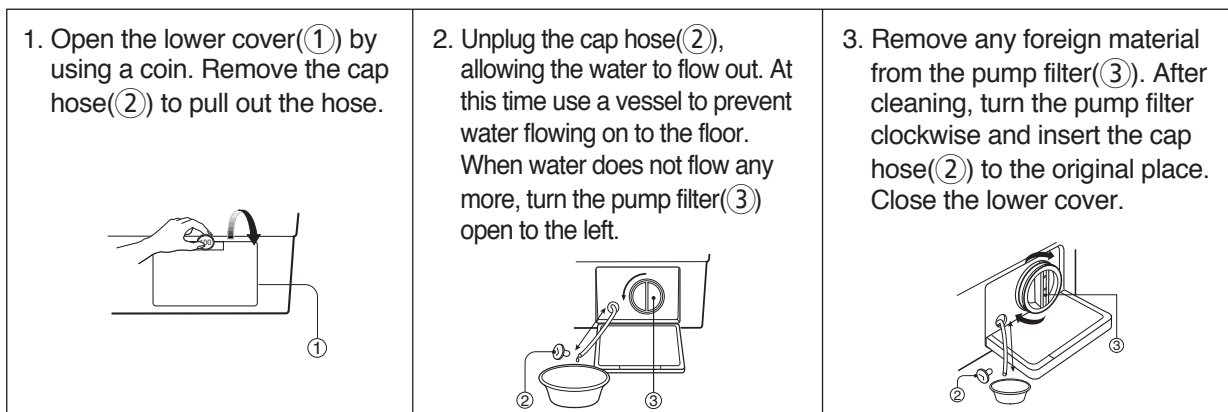
- Clean the filter when water leaks from the water inlet.



Cleaning the drain filter

- This drain filter is used to screen the foreign stuffs such as threads, coins, pins, buttons etc..
- If the drain filter is not cleaned at proper time(every 10 times of use), drain problem could be caused.

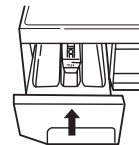
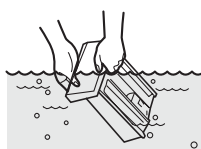
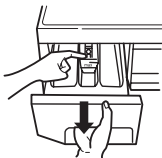
CAUTION : Be careful when draining if the water is hot.



Cleaning the detergent case

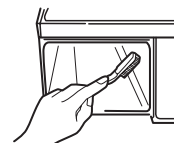
*After a while detergent and fabric softeners leave a deposit in the case;

- It should be cleaned from time to time with a jet of running water.
- If necessary it can be removed completely from the machine by pressing the catch downwards and by pulling it out.
- To facilitate cleaning, the upper part of the fabric softener compartment can be removed.



*Detergent can also accumulate inside the recess which should be cleaned occasionally with a brush.

*Once you have finished cleaning, replace the case and run a rinse cycle without laundry.



REMOVING STAINS

Stained, heavily-soiled, or greasy items may need to be prewashed or soaked for best results. Soaking helps remove protein-type stains like blood, milk or grass. Prewashing helps loosen soil before washing.

Stain removal rules

- Use warm water for soaking or prewashing stained laundry. Hot water can set stains.
- Most stains are easier to remove when they are fresh.
- Before treating any stain, find out what kind of stain it is, how old the stain is, what kind of fabric it is, and whether the fabric is colorfast. (Check the care label)
- Washing and drying can set some stains.
- Start with cold or warm water. Hot water can set some stains.
- When bleach is recommended, use a bleach that is safe for the fabric.
- Put the stained area face down on a paper towel or white cloth. Apply the stain remover to the back of the stain. This forces the stain off fabric instead of through it.

Stain removal guide

STAIN	TO REMOVE
Blood	Rinse immediately in COLD water. If stain remains, soak in cold water with an enzyme prewash.
Chewing gum	Use ice in plastic bag to harden the gum. Scrape off what you can and the sponge with white spirits.
Cocoa, Chocolate	Sponge with COLD water and soak in an enzyme prewash. If stains persist, rub in a little detergent and rinse in cold water.
Coffee	Blot up quickly and rinse out in COLD water. Rub in a little detergent and wash in the maximum temperature allowed for the fabric type.
Cream/Milk Ice cream	Rinse in COLD water and wash normally. If stain is still apparent, sponge with white spirits.
Deodorant	Rub affected area with white vinegar and then rinse out in COLD water. Sponge with white spirits. Treat stiffened areas with enzyme prewash.
Egg	Soak in a COLD enzyme prewash, rinse and wash normally.
Fabric/Softener	Rub affected area with bar soap and wash normally.
Fruit stains	Treat as soon as possible by sponging with COLD water. Rub a little detergent on the stain and wash normally.
Grass	Sponge with white spirits. Rub in an enzyme prewash and wash as normally.
Grease and oil	Lay the affected area face down on an absorbent cloth and work from the back. Sponge with white spirits or dry cleaning fluid. Wash normally.
Iron or rust	Apply lemon juice and salt and place in the sun. Wash normally.
Lipstick	Sponge with white methylated spirits and wash normally.
Mildew	Wash in WARM water and detergent. Moisten area with lemon juice, dry in the sun and wash normally. If stain persists and the fabric allows, use a bleach.
Mud	Brush off any dry mud. Rinse in cold water. If stain persists rub in a little detergent and wash normally.
Oil-based Paints	Scrape off any fresh paint and sponge with a non flammable dry cleaning fluid and wash normally.
Water-based Paints	Treat while still wet, rinse in WARM water and wash normally.
Scorch marks	Dampen a cloth with hydrogen peroxide, lay it over the affected area and press with a fairly hot iron.

TROUBLE SHOOTING

Most problems are easily solved if you understand the cause.

Check the following list for problem before calling for service.

If the error mode such as IE, OE, UE were displayed on the control part, in order to solve these problem, first turn off the power of the washing machine and then turn on the power pressing Power button.

If PFE error mode was displayed on the control part, in order to solve this problem, first turn off the power of the washing machine, second turn on the power pressing Power button, third press SPIN button and last press Start/Pause button.

PROBLEM	CHECK POINT
<ul style="list-style-type: none"> The washer will not operate at all. 	<ul style="list-style-type: none"> Is there a power failure? Is the power cord correctly connected to an electric outlet? Did you turn on the power? Did you press Start/Pause button? Is there correct amount of laundry in the washer?
<ul style="list-style-type: none"> Water is not supplied. <p>Error display IE</p>	<ul style="list-style-type: none"> Did you connect the inlet hose and open the water tap? Is the inlet hose or the water tap frozen? Is the water supply shut off? Is there any foreign matter blocking up the inlet hose filter?
<ul style="list-style-type: none"> The washer will not drain. <p>Error display OE</p>	<ul style="list-style-type: none"> Is the drain hose frozen or blocked up by dirt? Is the drain hose kinked or deformed? Is the end of the drain hose immersed in water? Is there excessive dirt inside the drain filter?
<ul style="list-style-type: none"> The washer will not spin. <p>Error display UE</p>	<ul style="list-style-type: none"> Is the clothes in the drum collected on one side? Is the washer installed on an uneven floor or is the vibration serious? Is the door open? (The lamp "LE" will light up in this case.)
<ul style="list-style-type: none"> The washer will stop during spinning . Spinning is insufficient. <p>Error display PFE</p>	<ul style="list-style-type: none"> Is the filter of the drain pump clogged? Is the drain pump operated? Did you use the proper amount of detergent? Is the drain hose placed higher than 1m above floor?
<ul style="list-style-type: none"> Vibrating and too noisy. 	<ul style="list-style-type: none"> Is the washer installed on an uneven floor? Have all the transit bolts removed?

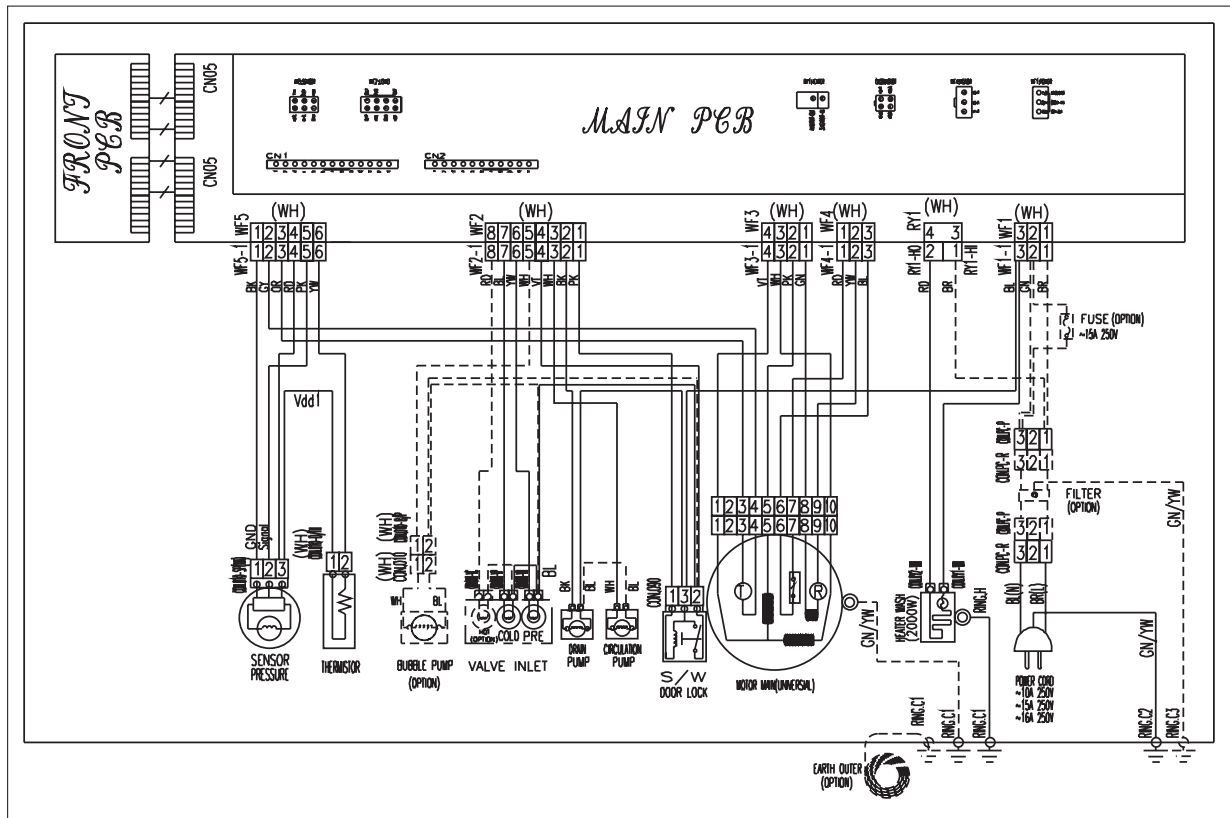
These cases are not malfunctions;

- The sound "Wing" heard during water supply is the operating sound made by the water inlet valve.

SPECIFICATION

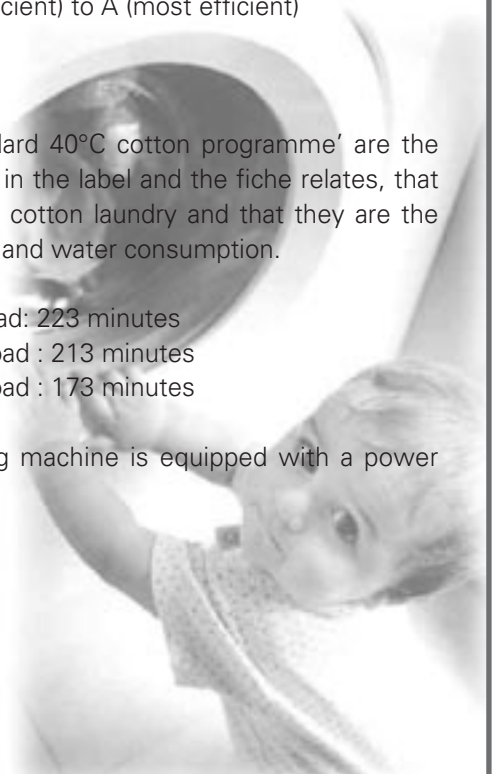
MODEL	WBW-91280
Dimension (mm)	595 X 634 X 850 (W X D X H)
Wash Capacity (kg)	9.0
Unit Weight (kg)	60.5(Net) / 63.5(Gross)
Standard Water Consumption	36 ℓ
Spin Speed (RPM)	No Spin/400/800/1200
Operating Water Pressure	0.05MPa ~ 0.8MPa (0.5kgf/cm ² ~ 8kgf/cm ²)

WIRING DIAGRAM



PRODUCT FICHE

- Supplier : MORRIS
- Model : WBW-91280
- Capacity : 9.0 kg
- Energy efficiency class : A+++
- Energy consumption 213 kWh per year, based on 220 standard washing cycles for cotton programmes at 60 °C and 40 °C at full and partial load, and the consumption of the low-power modes. Actual energy consumption will depend on how the appliance is used.
- Energy consumption : 0.95 kWh
- Energy consumption in the standard cotton program at 60°C with full load : 1.17 kWh
Energy consumption in the standard cotton program at 60°C with half load : 0.98 kWh
Energy consumption in the standard cotton program at 40°C with half load : 0.6 kWh
- Power consumption of the off-mode and of the left-on mode : 0.46 W
- Water consumption 7920 litres per year, based on 220 standard washing cycles for cotton programmes at 60 °C and 40 °C at full and partial load. Actual water consumption will depend on how the appliance is used.
- Spin-drying efficiency class B on a scale from G (least efficient) to A (most efficient)
- Maximum spin speed : 1200 rpm
- The 'standard 60 °C cotton programme' and the 'standard 40°C cotton programme' are the standard washing programmes to which the information in the label and the fiche relates, that these programmes are suitable to clean normally soiled cotton laundry and that they are the most efficient programmes in terms of combined energy and water consumption.
- Programme time of the standard 60 °C cotton with full load: 223 minutes
Programme time of the standard 60 °C cotton with half load : 213 minutes
Programme time of the standard 40 °C cotton with half load : 173 minutes
- Duration of the left-on mode (if the household washing machine is equipped with a power management system) : 30 minutes
- Airborne acoustical noise emissions(spinning) : 65 dB(A)
Airborne acoustical noise emissions(washing) : 84 dB(A)





NOTICE ABOUT RECYCLING

Your product is designed and manufactured with high quality materials and components which can be recycled and reused.

This symbol means that electrical and electronic equipment, at their end-of-life, should be disposed of separately from your household waste.

Please dispose of this equipment at your local community waste collection/recycling centre. In the European Union there are separate collection systems for used electrical and electronic products.

Please help us to conserve the environment we live in!

DECLARATION OF CONFORMITY

This product complies with the requirement of the following directives:

the EMC Directive 2004/108/EC,
the Low Voltage Directive 2006/95/EC,
the Energy labeling Directive 95/12/EC,
the ErP DIRECTIVE 2009 / 125 / EC
the RoHS Directive 2002/95/EC
and the CE-marking Directive 93/68/EEC

We declare that the WBW-91280 is in compliance with the following norms:

EN 60335-1 :2002+A1:04+A2:06+A13	LVD, General Requirements
EN 60335-2-7 :2003+A1:04+A2:06	LVD, Particular Requirements for washing machines
EN 62233:2008	LVD, Electromagnetic Fields
EN 55014-1:2006	EMC, Discontinuous Disturbance
EN 55014-2:1997+A1:2001+A2:2008	EMC, Immunity Requirements
EN 61000-3-2 :2006	EMC, Harmonics
EN 61000-3-3 :2008	EMC, Voltage Fluctuations
EN 61000-4-2 :1995+A1:1998+A2:2001	EMC, Electrostatic Discharge
EN 61000-4-4 :1995+A1:2001	EMC, Electric Fast Transients/Burst
EN 61000-4-5 :1995+A1:2001	EMC, Surge
EN 61000-4-6 :1996+A1:2001	EMC, Immunity to Conducted Disturbances
EN 61000-4-11 :1994+A1:2001	EMC, Dips/Interruptions
EN 60456 :2005	Energy, Washing machines for the performance
EN 62301 : 2005	EUP: EC Regulation 1275 / 2008

EXCLUSIVE DISTRIBUTOR FOR GREECE AND BALKAN COUNTRIES

Amiridis Savidis S.A.

33, Vas. Olgas Street P.C. 54641 Thessaloniki, Greece.

Tel: +30 2310-850107, Fax: +30 2310-867835

45 Posidonos St. P.C. 18344 Moschato, Athens, Greece

Tel: +30 210 9402064, Fax: +30 210 9402137

www.morris.gr

ABOUT THIS MANUAL

VISION CREATIVE, INC.
 서울 중로구 통의동
 6번지 이룸빌딩 4층

담 당	이청휘 님		
브 랜 드	MORRIS	언 어	영어
F. MODEL	D-HB1421/D-HB1422		
B. MODEL	WBW-91280		
BUYER	유럽향		
제 판	한	인 쇄	애드컴
MEMO 접수: (총 32p) 14.11.21-표지, 10p, 12p, 23p, 24p, 30p, 31p, 32p _ 신규 8p			

연락처
VISION 담당 방 문 수
 TEL: 730-0660 FAX: 730-3788