

**PARTS DEPOT**

Nashville, Tennessee

615-889-8900 / Fax: 615-547-1000

www.Lochinvar.com

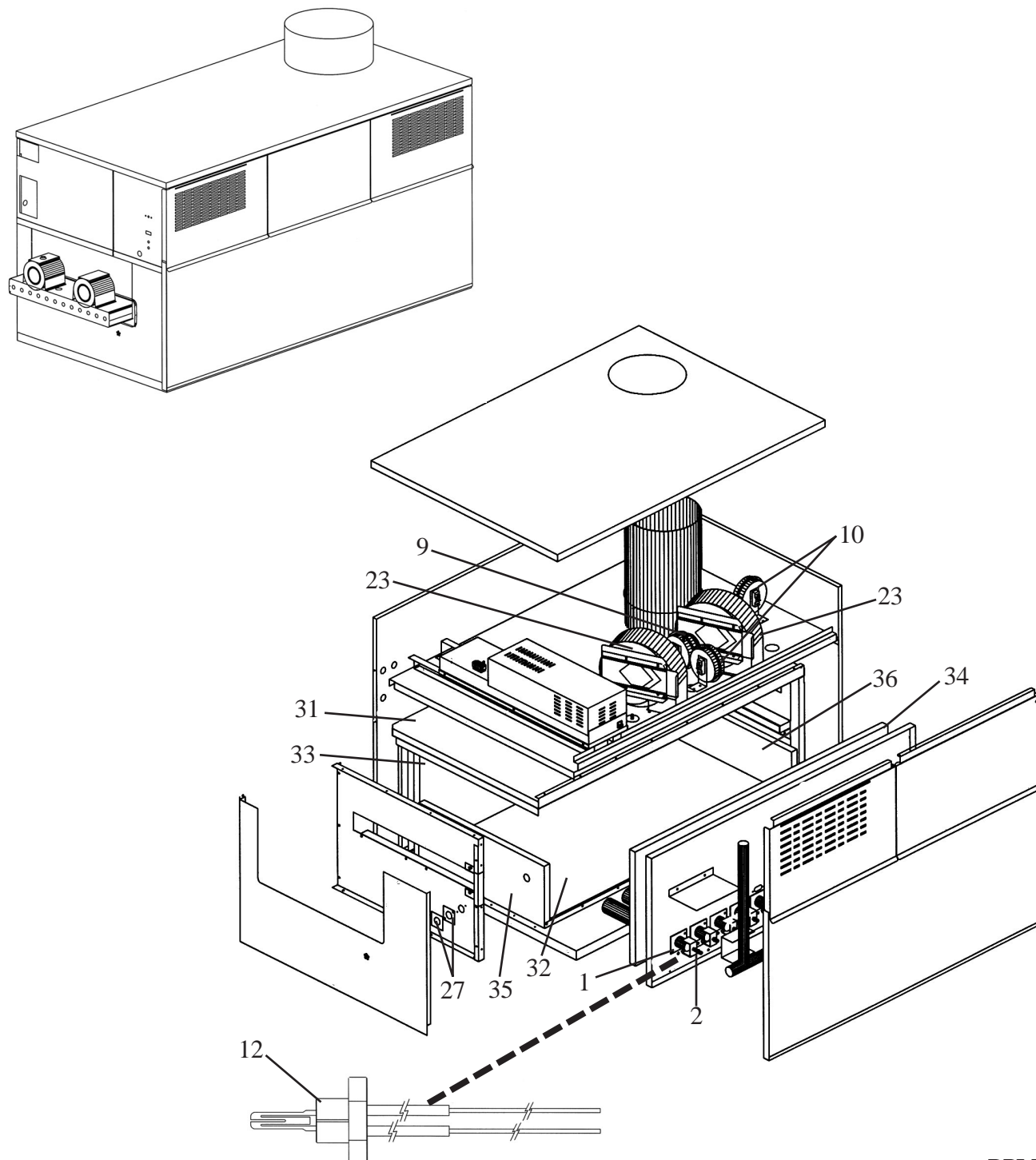
## Replacement Parts List

### Copper-Fin®

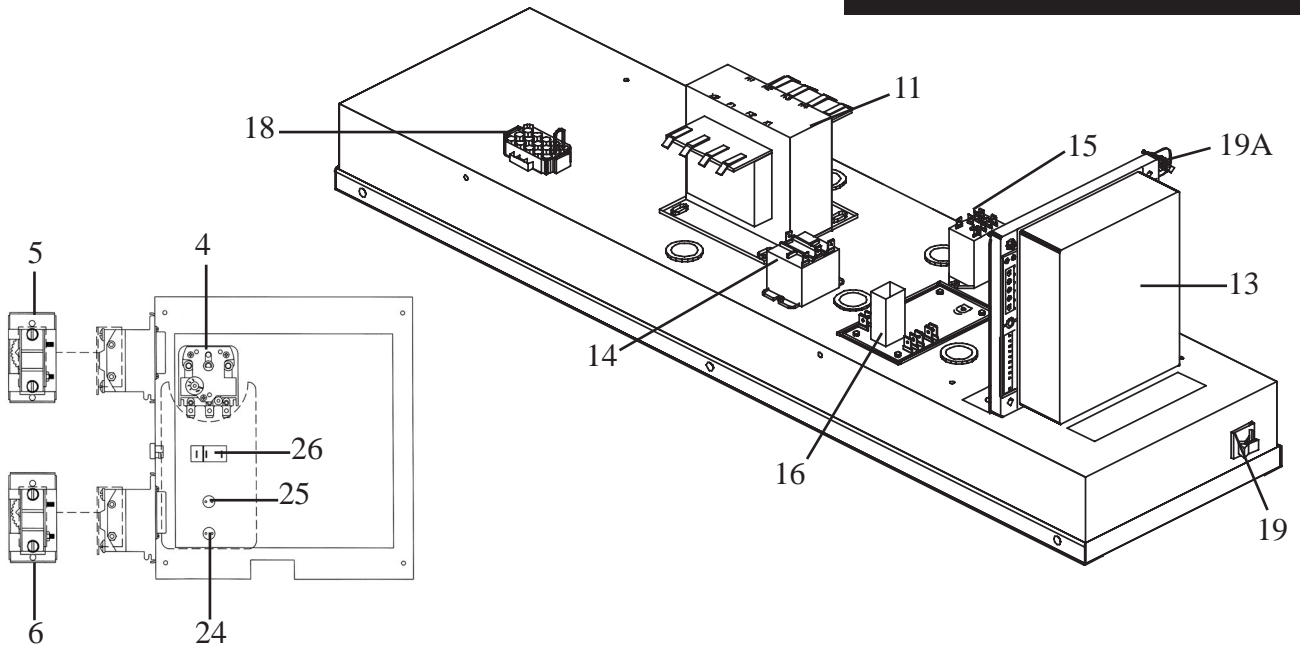
**Boilers — Water Heaters  
& Pool Heaters**

**CB—CW—CS — 985-2065**

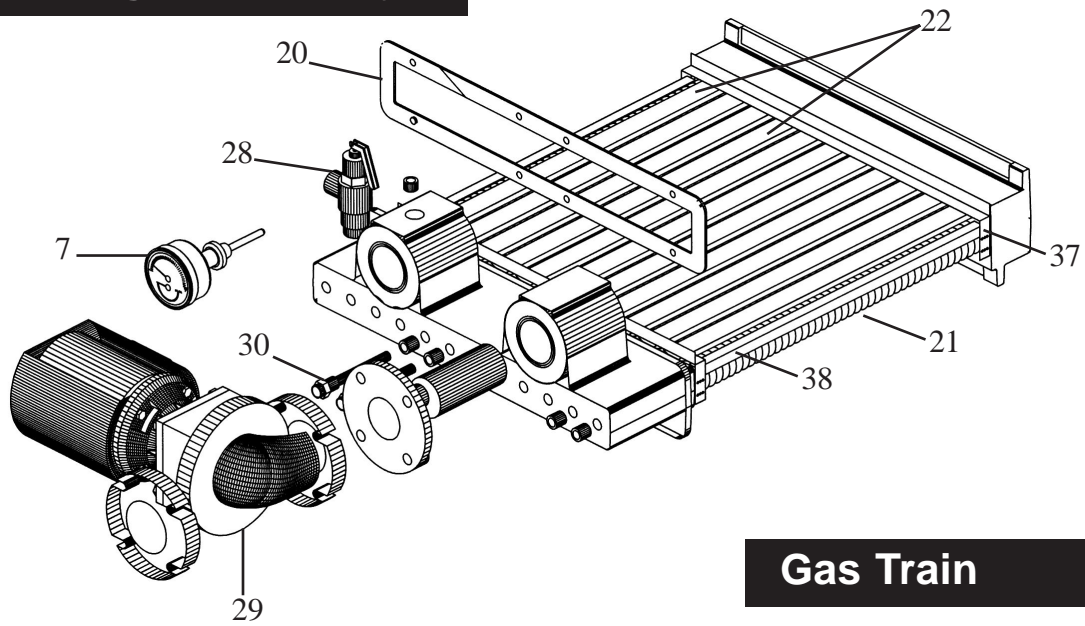
**Beginning Serial Number: A950000**



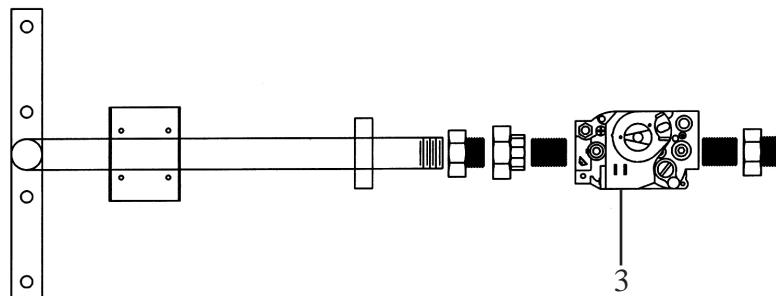
## Control Panel



## Heat Exchanger Assembly



## Gas Train



ITEM NO.	PART NO.	DESCRIPTION	MODEL NO.
<b>GAS TRAIN ASSEMBLIES</b>			
1	<b>KIT #</b>	<b>BNR2404:</b>	<b>BNR3501:</b> <b>BNR3502:</b>
	<b>BNR3410 985</b>	9ea.	1ea. 1ea.
	<b>BNR3411 1255</b>	12ea.	1ea. 1ea.
	<b>BNR3412 1435</b>	14ea.	1ea. 1ea.
	<b>BNR3413 1795</b>	17ea.	1ea. 2ea.
	<b>BNR3414 2065</b>	20ea.	1ea. 2ea.
			(BNR2404) MAIN BURNER
			(BNR3501) MAIN BURNER CONNECTED THERMOCOUPLE COMPRESSION FITTING (BNR3502) MAIN BURNERW/PRESSURE TAP BARBED FITTING
2	ORF2413	ORIFICE, NAT.	ALL
2	ORF2405	ORIFICE, LPG.	ALL
3	VAL3403	VALVE, GAS NAT., W/NIPPLES	ALL
3	VAL3404	VALVE, GAS LPG., W/NIPPLES	ALL
<b>CONTROLS AND GAUGES</b>			
4	TST2701	THERMOSTAT, OPERATOR	ALL CB/CW/CS
5	TST2900	THERMOSTAT, HI LIMIT	ALL CB/CS
6	TST3910	THERMOSTAT, LIMIT	ALL CW
5	TST3911	THERMOSTAT, HI LIMIT	ALL CW
—	TST2025	THERMOSTAT, OPERATOR-HI LIMIT (BYPASS LOOP)PRIOR TO 4/98	ALL CS
7	GTP2900	TEMPERATURE & PRESSURE GAUGE	ALL CB
7	GTP3000	TEMPERATURE GAUGE 2 PER UNIT	ALL CW/CS
—	MSC2016	TERMINAL STRIP, 8 POLE	ALL
9	PRS2416	PRESSURE SWITCH, BLOCKED FLUE & LOW AIR	ALL
10	PRS2417	PRESSURE SWITCH, LOW AIR	ALL
11	TRF2701	TRANSFORMER 150V.A.	ALL
—	WTR2041	SWITCH, FLOW OUTDOOR	ALL CB/CW
—	WTR2040	SWITCH, FLOW INDOOR	ALL CB/CW
12	PLT3400	HOT SURFACE IGNITOR	ALL
13	RLY3428	IGNITION MODULE ASSEMBLY	ALL
14	RLY2706	RELAY, POWER 120V	ALL
15	RLY2903	RELAY 24V	ALL
16	RLY2714	TIME DELAY RELAY	ALL
18	MSC2407	JUMPER PLUG	ALL
19	MSC2447	CIRCUIT BREAKER 7 AMP	ALL
19A	MSC2726	CIRCUIT BREAKER	ALL
—	PRS2415	PRESSURE SWITCH, GAS	ALL
—	PRS2406	SWITCH, POOL HEATER PRESSURE	ALL
—	TST2403	THERMOSTAT BOARD	CS
—	TST2404	POTENTIOMETER	CS
—	TST2405	SENSOR	CS
—	HLC2702	MANUAL RESET HIGH LIMIT	ALL
—	HLC2501	200° FIXED HIGH LIMIT	CS
—	HLC2503	100° FIXED HIGH LIMIT	CS
<b>HEAT EXCHANGERS</b>			
20	GKT2418	GASKET, HEAT SHIELD	ALL
21	HEX3420	HEAT EXCHANGER (CW/CS before serial # F00 and all CB)	CW/CS/CB 985
21	HEX3421	HEAT EXCHANGER (CW/CS before serial # F00 and all CB)	CW/CS/CB 1255
21	HEX3422	HEAT EXCHANGER (CW/CS before serial # F00 and all CB)	CW/CS/CB 1435
21	HEX3423	HEAT EXCHANGER (CW/CS before serial # F00 and all CB)	CW/CS/CB 1795
21	HEX3424	HEAT EXCHANGER (CW/CS before serial # F00 and all CB)	CW/CS/CB 2065
21	HEX3000	HEAT EXCHANGER (CW/CS after serial # F00)	CW/CS 985
21	HEX3001	HEAT EXCHANGER (CW/CS after serial # F00)	CW/CS 1255
21	HEX3002	HEAT EXCHANGER (CW/CS after serial # F00)	CW/CS 1435
21	HEX3003	HEAT EXCHANGER (CW/CS after serial # F00)	CW/CS 1795
21	HEX3004	HEAT EXCHANGER (CW/CS after serial # F00)	CW/CS 2065
22	JKE6078	V-BAFFLE 9 PER UNIT	985
22	JKE6079	V-BAFFLE 9 PER UNIT	1255
22	JKE6080	V-BAFFLE 9 PER UNIT	1435
22	JKE6081	V-BAFFLE 9 PER UNIT	1795
22	JKE6082	V-BAFFLE 9 PER UNIT	2065

**NOTE: CB=BOILER, CW=WATER HEATER & CS=POOL HEATER  
PLEASE HAVE MODEL NUMBER AND SERIAL NUMBER WHEN ORDERING PARTS**

ITEM NO.	PART NO.	DESCRIPTION	MODEL NO.
<b>MISCELLANEOUS</b>			
38	JKE6083	FRAME RUNNER 2 PER UNIT	985
38	JKE6084	FRAME RUNNER 2 PER UNIT	1255
38	JKE6085	FRAME RUNNER 2 PER UNIT	1435
38	JKE6086	FRAME RUNNER 2 PER UNIT	1795
38	JKE6087	FRAME RUNNER 2 PER UNIT	2065
37	JKE6187	FRAME END 2 PER UNIT	ALL
23	FAN2712	FAN ASSEMBLY	ALL
—	MSC2424	LIGHT, AMBER 28V	ALL
—	MSC2023	LIGHT, AMBER 120V, TRIAL (BEGINNING SERIAL NUMBER G967041)	ALL
24	MSC2026	LIGHT, RED 24V	ALL
25	MSC2028	LIGHT, GREEN 24V	ALL
26	MSC2426	SWITCH, ROCKER	ALL
27	MSC3415	SIGHT GLASS & GASKET	ALL
28	RLV2001	RELIEF VALVE, PRESSURE ONLY	CB
28	RLV2017	RELIEF VALVE, TEMPERATURE & PRESSURE	ALL CW/CS
29	ARM3024PBF	PUMP (before serial # L01)	CW
29	ARM3024PAB	PUMP (after serial # L01 standard)	CW
29	ARM3024PABTE	PUMP	CS
30	TST2301	WELL, THERMOSTAT	ALL
<b>LOCH-HEAT® TILE</b>			
31	FIB2441	LOCH-HEAT® TILE, TOP RIGHT SIDE	985
31	FIB2442	LOCH-HEAT® TILE, TOP LEFT SIDE	985
31	FIB2443	LOCH-HEAT® TILE, TOP RIGHT SIDE	1255-1435
31	FIB2444	LOCH-HEAT® TILE, TOP LEFT SIDE	1255
31	FIB2445	LOCH-HEAT® TILE, TOP LEFT SIDE	1435
31	FIB2446	LOCH-HEAT® TILE, TOP RIGHT SIDE	1795-2065
31	FIB2447	LOCH-HEAT® TILE, TOP MIDDLE	1795-2065
31	FIB2448	LOCH-HEAT® TILE, TOP LEFT SIDE	1795
31	FIB2449	LOCH-HEAT® TILE, TOP LEFT SIDE	2065
32	FIB2471	LOCH-HEAT® TILE, BOTTOM	985
32	FIB2450	LOCH-HEAT® TILE, BOTTOM RIGHT	1435-2065
32	FIB2451	LOCH-HEAT® TILE, BOTTOM	1255
32	FIB2452	LOCH-HEAT® TILE, BOTTOM LEFT	1435
32	FIB2453	LOCH-HEAT® TILE, BOTTOM LEFT	1795
32	FIB2454	LOCH-HEAT® TILE, BOTTOM LEFT	2065
33	FIB2472	LOCH-HEAT® TILE, BACK	985
33	FIB2455	LOCH-HEAT® TILE, BACK RIGHT	1435-2065
33	FIB2456	LOCH-HEAT® TILE, BACK	1255
33	FIB2457	LOCH-HEAT® TILE, BACK LEFT	1435
33	FIB2458	LOCH-HEAT® TILE, BACK LEFT	1795
33	FIB2459	LOCH-HEAT® TILE, BACK LEFT	2065
34	FIB2460	LOCH-HEAT® TILE, FRONT DOOR	985
34	FIB2461	LOCH-HEAT® TILE, FRONT DOOR	1255
34	FIB2462	LOCH-HEAT® TILE, FRONT DOOR RIGHT	1435
34	FIB2469	LOCH-HEAT® TILE, FRONT DOOR LEFT	1435
34	FIB2463	LOCH-HEAT® TILE, FRONT DOOR RIGHT	1795
34	FIB2470	LOCH-HEAT® TILE, FRONT DOOR LEFT	1795
34	FIB2464	LOCH-HEAT® TILE, FRONT DOOR RIGHT	2065
34	FIB2465	LOCH-HEAT® TILE, FRONT DOOR LEFT	2065
35	FIB2466	LOCH-HEAT® TILE, FRONT HEAD SIDE	ALL
36	FIB2467	LOCH-HEAT® TILE, REAR HEAD SIDE	ALL
—	FIB2468	LOCH-HEAT® TILE, REAR HEAD SPACER STRIP	ALL
<b>OPTIONAL</b>			
—	GAC2032	GAS COCK 2	ALL
—	PAN3201	OPTION BOX A: LOUVER RELAY w/PUMP DELAY (LVR w/P. DELAY)	ALL
—	PAN3202	OPTION BOX B: MR-LWCO, LVR w/P. DELAY	ALL
—	PAN3203	OPTION BOX C: MR-LWCO, LVR w/P. DELAY, ALARM ANY FAILURE	ALL
—	HLC2702	MANUAL RESET HIGH LIMIT	ALL

**NOTE: CB=BOILER, CW=WATER HEATER & CS=POOL HEATER  
PLEASE HAVE MODEL NUMBER AND SERIAL NUMBER WHEN ORDERING PARTS**