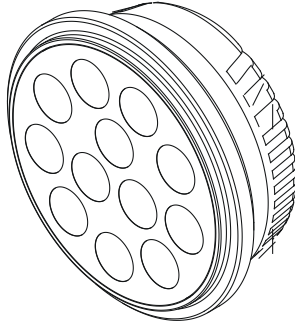


User instructions

, ArcSource 12

The module generates colored light by means of Luxeon high power LEDs. The product was designed to use with the ArcPower drivers and for indoor use only.



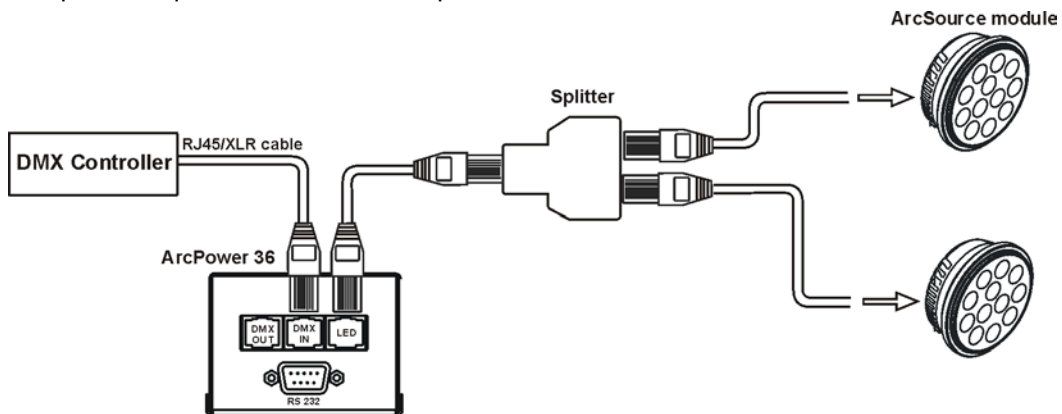
1. Attention

- Do not install the module near high inflammable liquids or materials.
- Do not allow anything to rest on the module.
- Do not use the module near high humidity or water or expose to the rain.
- Do not install the module near the naked flames.
- Do not install the module in dirty, dusty or badly ventilated location.
- Sufficient air accessing to the cooling ribs of the module housing has to be ensured.
- Use the standard AR1-11 fittings (not included) to fix the module on a suitable place.

2. Installation

The ArcSource unit should be connected to the ArcPower driver according to the LEDs colour variants (RGB, WW, CW...).

See the ArcPower 36/72/144/360/16x12/384 Rack Mount (or their SmartWhite variants) user manuals for full details of mains power requirements and DMX operation.



ArcSource unit is supplied with 1.5 m of cable for direct connection to the ArcPower drivers.

CAUTION!
 Avoid looking directly into the LED light beam at close range!

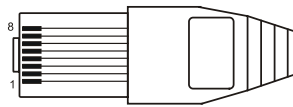
Maximum possible number of LED modules connected to the one ArcPower 36 (or one LED output of the ArcPower 72/144/360/384 R.M.) is mentioned in the table below.

Module (colour variant)	Total LEDs	Red LEDs	Green LEDs	Blue LEDs	Amber LEDs	Cool white LEDs	Warm white LEDs	Max. number of connected modules	Compatible drivers
ArcSource 12 RGB	12	4	4	4	-	-	-	3	ArcPower 36/72/144/360/384 R.M./16x12
ArcSource 12 WWRGB	12	2	2	2	-	-	6	2	ArcPower 36/72/144/360/384 R.M.

Module (colour variant)	Total LEDs	Red LEDs	Green LEDs	Blue LEDs	Amber LEDs	Cool white LEDs	Warm white LEDs	Max.number of connected modules	Compatible drivers
ArcSource 12 CWRGB	12	2	2	2	-	6	-	2	ArcPower 36/72/144/360/384 R.M.
ArcSource 12 CW	12	-	-	-	-	12	-	3	ArcPower SmartWhite 36/72/144
ArcSource 12 WW	12	-	-	-	-	-	12	3	ArcPower SmartWhite 36/72/144
ArcSource 12 SW	12	-	-	-	-	6	6	3	ArcPower SmartWhite 36/72/144
ArcSource 12 R	12	12	-	-	-	-	-	3	ArcPower SmartWhite 36/72/144
ArcSource 12 G	12	-	12	-	-	-	-	3	ArcPower SmartWhite 36/72/144
ArcSource 12 B	12	-	-	12	-	-	-	3	ArcPower SmartWhite 36/72/144
ArcSource 12 A	12	-	-	-	12	-	-	3	ArcPower SmartWhite 36/72/144

3.RJ45 pin connection

RJ45 plug
(View facing pins)



Colour variants

Pin	Colour of wire	RGB	Single colour	SW	WWRGB/CWRGB
1	White/orange	Red LED +	LED branch 1+	Warm White LED 1+	Red LED +
2	Orange	Green LED +	LED branch 2+	Cool White LED 1+	Green LED +
3	White/green	Blue LED +	LED branch 3+	Warm White LED 2+	Blue LED +
4	Blue	Not used	LED branch 4+	Cool White LED 2+	White LED +
5	White/blue	Red LED -	LED branch 1-	Warm White LED 1-	Red LED -
6	Green	Green LED -	LED branch 2-	Cool White LED 1-	Green LED -
7	White/brown	Blue LED -	LED branch 3-	Warm White LED 2-	Blue LED -
8	Brown	Not used	LED branch 4-	Cool White LED 2-	White LED -

4. Technical specifications

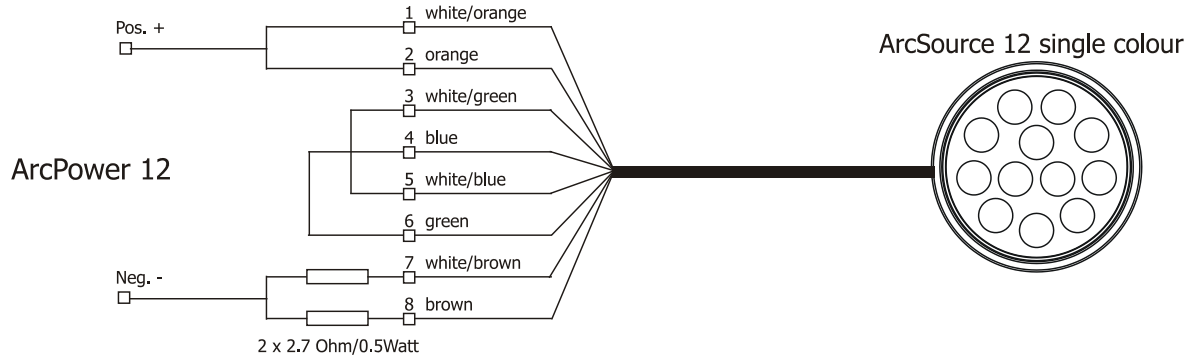
Max input current:	350 mA
Maximum Power Consumption:	13.6 Watts
Operating Ambient Temp.Range:	-20°C/+40°C
Operating Temperature:	+60°C@ ambient 25°C
Cooling :	convection
Beam angle (RGB,RGBW, sin. colour):	10°,18°,29°,32°
Beam angle (CW,SW,WW,NW):	14°,23°,31°,36°
LED Device:	ProLight Opto Proeon
LED Colour Variants* :	RGB, WWRGB,CWRGB,R,G,B,A,CW,WW,SW
Warm White LEDs (WW):	3300 K
Cool White LEDs (CW):	6500 K
Typical Lumen Maintenance:	70%@ 50,000 hours
Led Life Expectancy:	minimum 50,000 hours
Construction:	precision turned aluminium
Weight:	0.6 kg
Installation method:	Inte. universal mounting system
Ingress Protection:	IP 2X
Flammability:	94V-0 flame class rating
Power /Data plug:	RJ45
Power /Data cable	24 AWG x 4P,category 5e

* RGB - red&green&blue; R- red; B-blue; G-Green; A-Amber; CW-cool white; WW-warm white; SW-smart white; NW-neutral white; WWRGB-warm white&red&green&blue; CWRGB-Cool white&red&green&blue

For power supply (without DMX control) of single colour modules of the Arc Source 12 is possible to use the

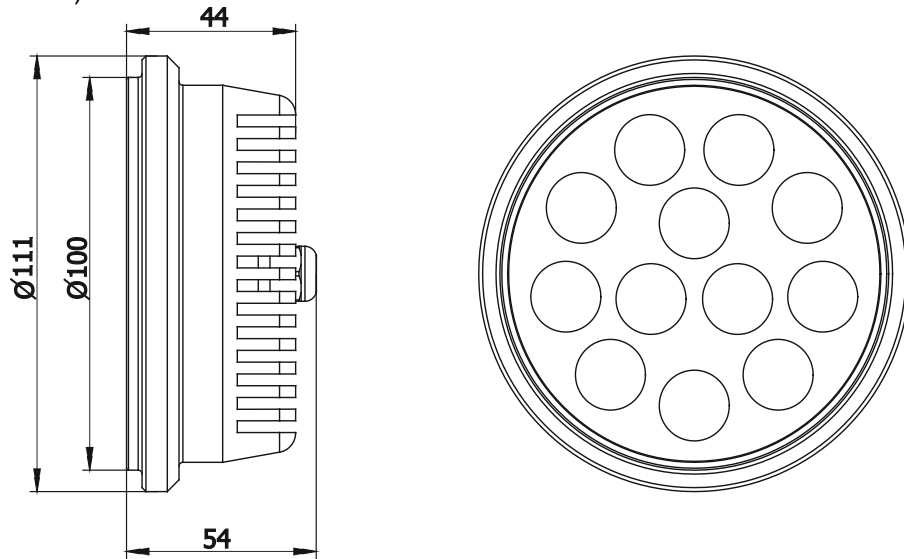
the ArcPower 12. See its user manual for detailed information.

Connection of the ArcSource 12 single colour to the ArcPower 12:



5. Dimensions

(All dimensions are in mm)



6. Accessories

- Splitter (S/N 13050690).....1 piece

7. Maintenance

- Keep the module dry.
- Operate only in places where the sufficient airflow to cool the module is present
- Periodically clean the front transparent cover. Use a moist, lint-free cloth. Never use alcohol or solvents!

