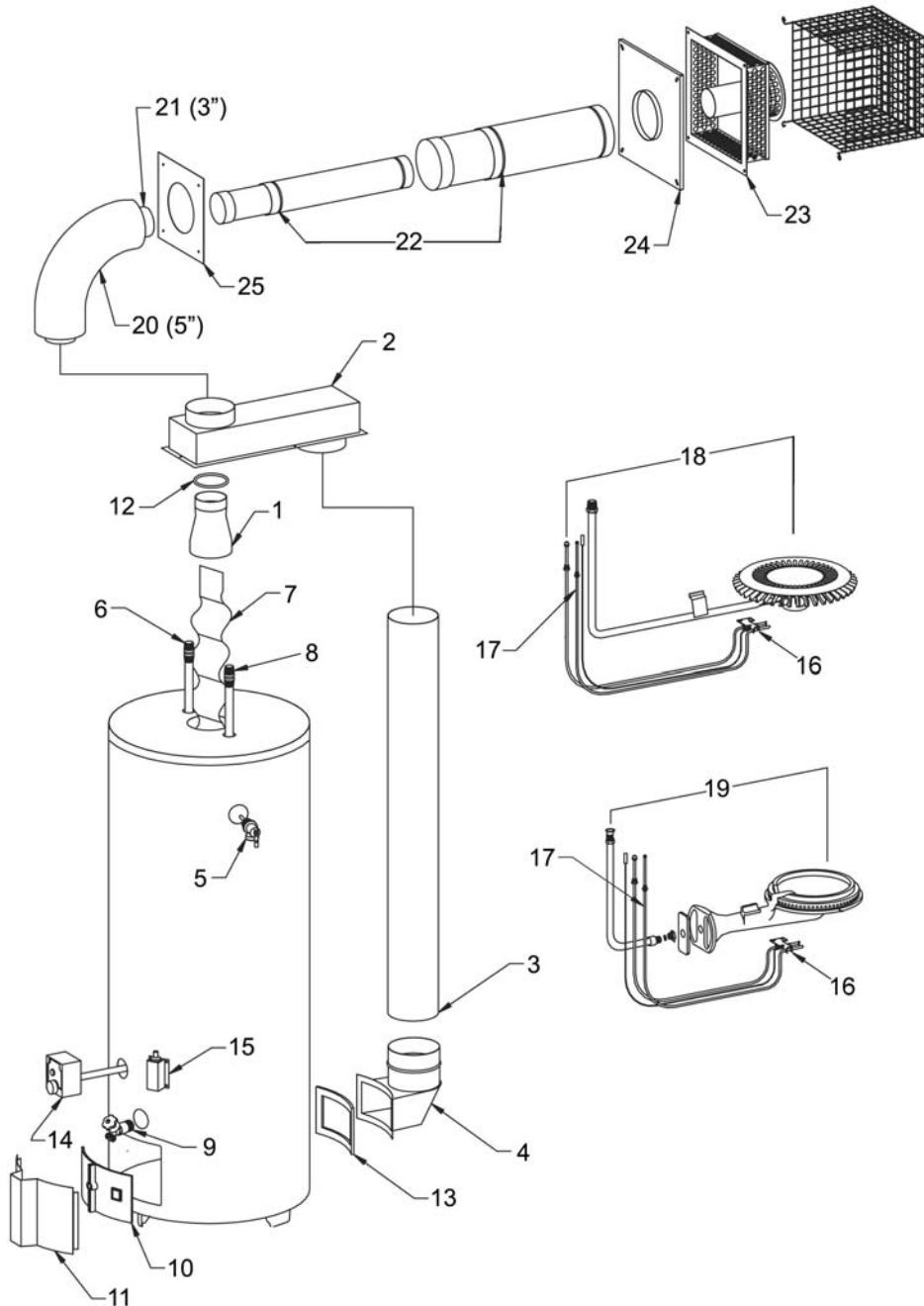




PARTS & SERVICE DEPARTMENT
 Nashville, Tennessee
 615-889-8900 • Fax: 615-547-1000
 www.Lochinvar.com

Replacement Parts List

**Residential Water Heater
 Direct Vent - Balanced Flue
 BFN & BFL 040 & 050**



ITEM	DESCRIPTION	MODEL NUMBERS / PART NUMBERS	
		BF(N,L)040	BF(N,L)050
1	Flue Reducer	DRH1161	DRH1161
2	Plenum	DRH1163	DRH1163
3	Air Intake Tube	DRH1164	DRH1165
4	Aire Intake Boot	DRH1162	DRH1162
5	T&P Relief Valve	RLV1001	RLV1001
6	Anode, Magnesium	WTR1019	WTR1019
7	Flue Baffle	JKT1104	JKT1105
8	Dip Tube	WTR1018	WTR1018
9	Drain Valve	DRV1001	DRV1001
10	Inner Door	JKT1102	JKT1102
11	Outer Door	JKT1101	JKT1101
12	Plenum Gasket	GKT1103	GKT1103
13	Air Intake Boot Gasket	GKT1102	GKT1102
14	Thermostat Gas Kit, NAT	TST1114-K	TST1114-K
14	Thermostat Gas Kit, LPG	TST1160	TST1160
15	Piezo Ignitor	PLT1002	PLT1002
16	Pilot Assembly, NAT	PLT1108	PLT1108
16	Pilot Assembly, LPG	PLT1109	PLT1109
17	Thermocouple	PLT1010	PLT1010
18	Burner Assembly NAT	BNR1172	BNR1173
19	Burner Assembly LPG	BNR1170	BNR1171
20	5" Elbow	DRH1154	DRH1154
21	3" Elbow	DRH1155	DRH1155
22	4 - 8 ft. (Before #JT) KIT E	DRH1145	DRH1145
22	4 - 8 ft. (After #JT) KIT D	DRH1146	DRH1146
22	4-3/4" - 5-11/16" KIT A	DRH1148	DRH1148
22	6-1/2" - 9-3/16" KIT B	DRH1149	DRH1149
22	13-3/4" - 23-11/16" KIT C	DRH1150	DRH1150
23	Direct Vent - Air Intake Terminal	DRH1156	DRH1156
24	Outer Wall Mounting Plate	DRH1157	DRH1157
25	Inner Wall Mounting Plate	DRH1158	DRH1158
	- Silicone Sealant	DRH1160	DRH1160

Please provide model & serial number when ordering parts.