



Lochinvar[®]
High Efficiency Water Heaters, Boilers and Pool Heaters

**PUMP
Recommendation**

PUMP-Rec-01 Rev C

**PUMP RECOMMENDATION FOR
ARMOR 151-200 WATER HEATER**

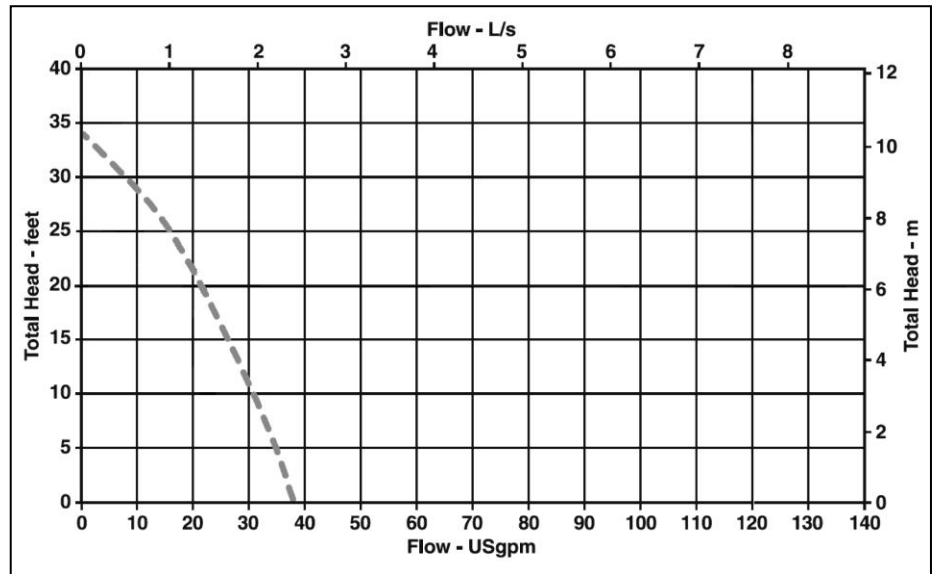
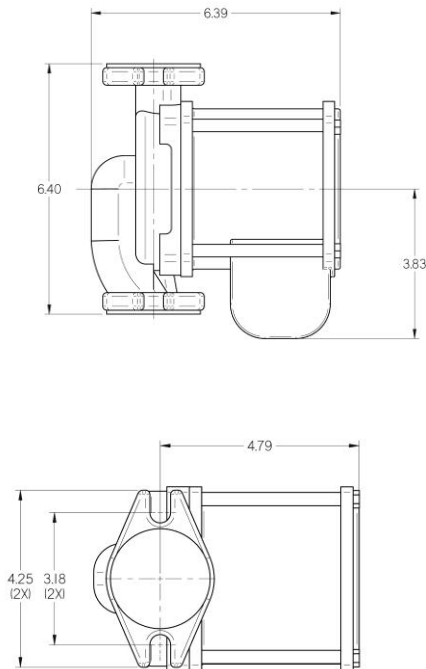
Pump Specifications

Part No.	HorsePower	Flanges	Valute Material	Flange Material	Vendor	Vendor Product Series	Orientation
PUM3010	1/6	1-1/4"	Bronze	Bronze	Armstrong	E Series	Vertical

Installation Specifications

Pump	Recommended for Model Numbers	Minimum GPM	Based on Installation Type
PUM3010	Armor Wtr Htr, AW(N,L) 151-200	16 GPM (151) & 21 GPM (200)	Single Water Heater piped to Single Storage Tank
	Based on Minimum Pipe Diameter	Based on Connecting piping	
	1-1/4"	Maximum 45 feet straight pipe with 4-Elbows, 2-Unions and 2-Ball Valves	

IMPORTANT: Read the Armor 151-801 Installation and Operation Manual. If the planned system exceeds the pump capacity in flow and/or head see "Pump Curves-All Pumps" for alternate pumps and pump curves.



Lochinvar[®]
High Efficiency Water Heaters, Boilers and Pool Heaters

Lochinvar Corporation • 300 Maddox Simpson Pkwy • Lebanon, TN 37090 • 615-889-8900/Fax: 615-547-1000

www.Lochinvar.com



**PUMP
Recommendation**

PUMP-Rec-01 Rev C

**PUMP RECOMMENDATION FOR
ARMOR 286 WATER HEATER**

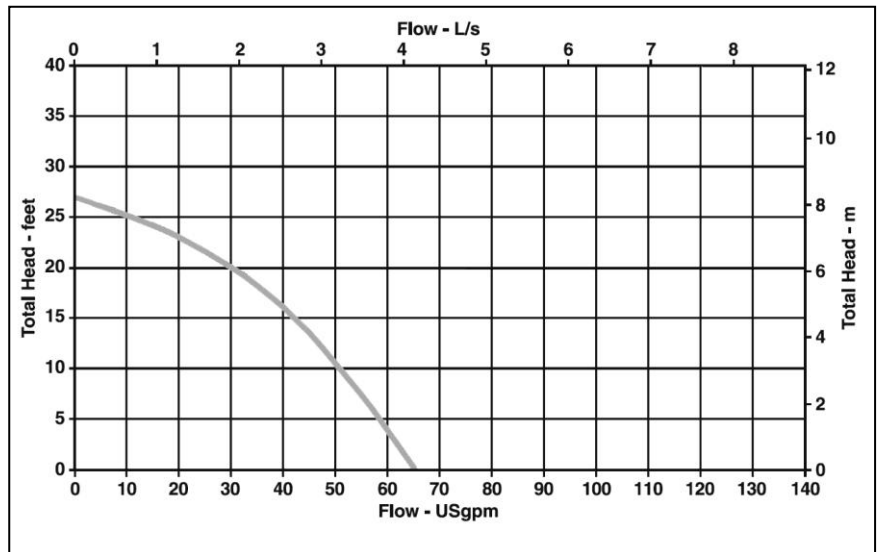
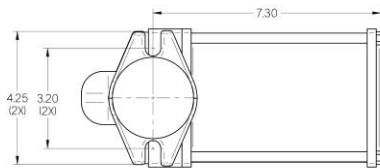
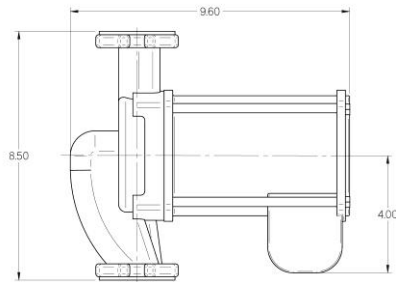
Pump Specifications

Part No.	HorsePower	Flanges	Valute Material	Flange Material	Vendor	Vendor Product Series	Orientation
PUM3011	2/5	1-1/2"	Bronze	Bronze	Armstrong	E Series	Vertical

Installation Specifications

Pump	Recommended for Model Numbers	Minimum GPM	Based on Installation Type
PUM3011	Armor Wtr Htr, AW(N,L) 286	30 GPM	Single Water Heater piped to Single Storage Tank
	Based on Minimum Pipe Diameter	Based on Connecting piping	
	2"	Maximum 45 feet straight pipe with 4-Elbows, 2-Unions and 2-Ball Valves	

IMPORTANT: Read the Armor 151-801 Installation and Operation Manual. If the planned system exceeds the pump capacity in flow and/or head see "Pump-Curves-All Pumps" for alternate pumps and pump curves.



Lochinvar Corporation • 300 Maddox Simpson Pkwy • Lebanon, TN 37090 • 615-889-8900/Fax: 615-547-1000

www.Lochinvar.com



Lochinvar[®]
High Efficiency Water Heaters, Boilers and Pool Heaters

**PUMP
Recommendation**

PUMP-Rec-01 Rev C

**PUMP RECOMMENDATION FOR
ARMOR 400 WATER HEATER**

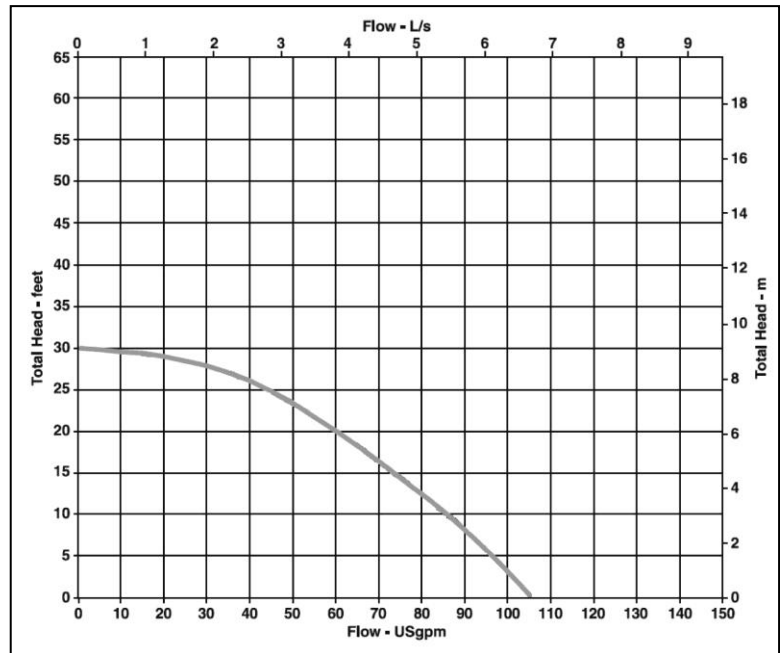
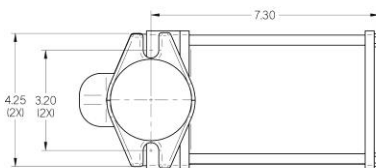
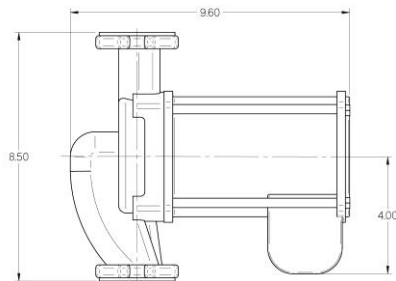
Pump Specifications

Part No.	HorsePower	Flanges	Valute Material	Flange Material	Vendor	Vendor Product Series	Orientation
PUM3012	2/5	1-1/2"	Bronze	Bronze	Armstrong	E Series	Vertical

Installation Specifications

Pump	Recommended for Model Numbers	Minimum GPM	Based on Installation Type
PUM3012	Armor Wtr Htr, AW(N,L) 400	39 GPM (400)	Single Water Heater piped to Single Storage Tank
	Based on Minimum Pipe Diameter	Based on Connecting piping	
	2"	Maximum 45 feet straight pipe with 4-Elbows, 2-Unions and 2-Ball Valves	

IMPORTANT: Read the Armor 151-801 Installation and Operation Manual. If the planned system exceeds the pump capacity in flow and/or head see "Pump-Curves-All Pumps" for alternate pumps and pump curves.



Lochinvar[®]
High Efficiency Water Heaters, Boilers and Pool Heaters

Lochinvar Corporation • 300 Maddox Simpson Pkwy • Lebanon, TN 37090 • 615-889-8900/Fax: 615-547-1000

www.Lochinvar.com



PUMP Recommendation

PUMP-Rec-01 Rev C

PUMP RECOMMENDATION FOR ARMOR 501-601 WATER HEATER

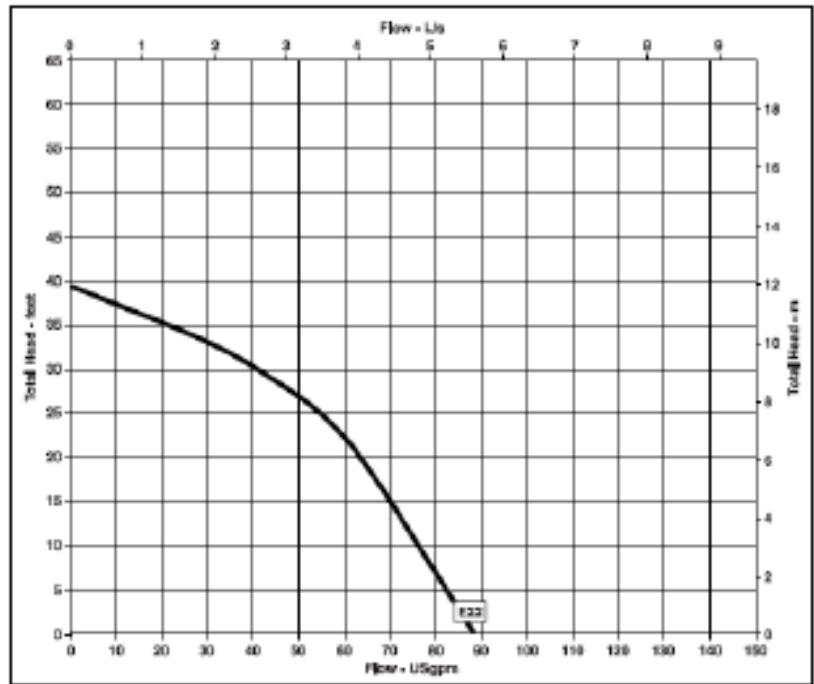
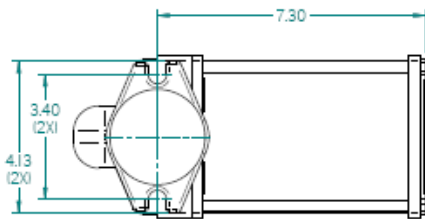
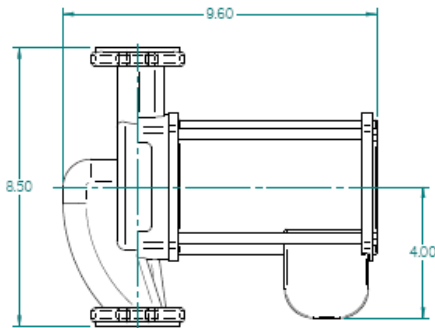
Pump Specifications

Part No.	HorsePower	Flanges	Valute Material	Flange Material	Vendor	Vendor Product Series	Orientation
PUM30003	2/5	2"	Bronze	Bronze	Armstrong	E Series	Vertical

Installation Specifications

Pump	Recommended for Model Numbers	Minimum GPM	Based on Installation Type
PUM30003	Armor Wtr Htr, AW(N,L) 501-601	53 GPM (501) & 53 GPM (601)	Single Water Heater piped to Single Storage Tank
	Based on Minimum Pipe Diameter	Based on Connecting piping	
	2"	Maximum 45 feet straight pipe with 4-Elbows, 2-Unions and 2-Ball Valves	

IMPORTANT: Read the Armor 151-801 Installation and Operation Manual. If the planned system exceeds the pump capacity in flow and/or head see "Pump-Curves-All Pumps" for alternate pumps and pump curves.



Lochinvar Corporation • 300 Maddox Simpson Pkwy • Lebanon, TN 37090 • 615-889-8900/Fax: 615-547-1000

www.Lochinvar.com



Lochinvar[®]
High Efficiency Water Heaters, Boilers and Pool Heaters

**PUMP
Recommendation**

PUMP-Rec-01 Rev C

**PUMP RECOMMENDATION FOR
ARMOR 701-801 WATER HEATER**

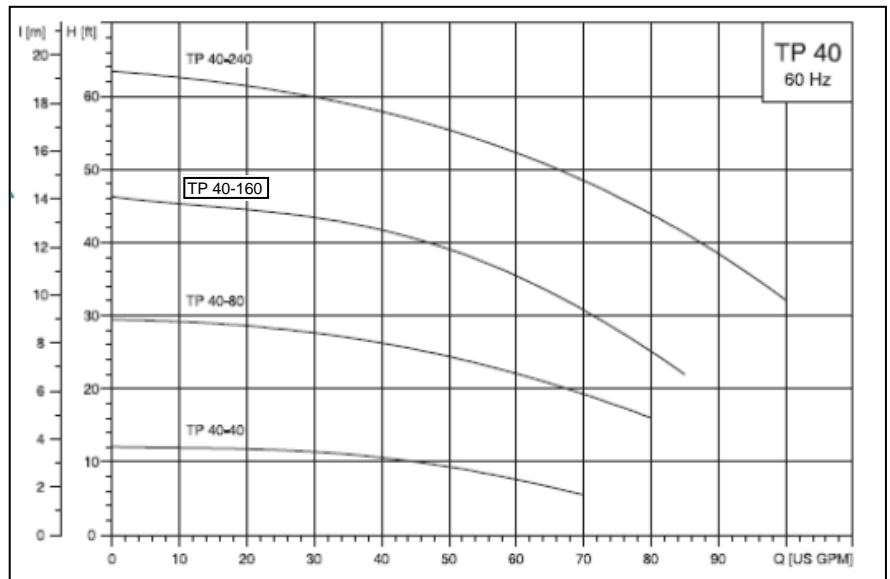
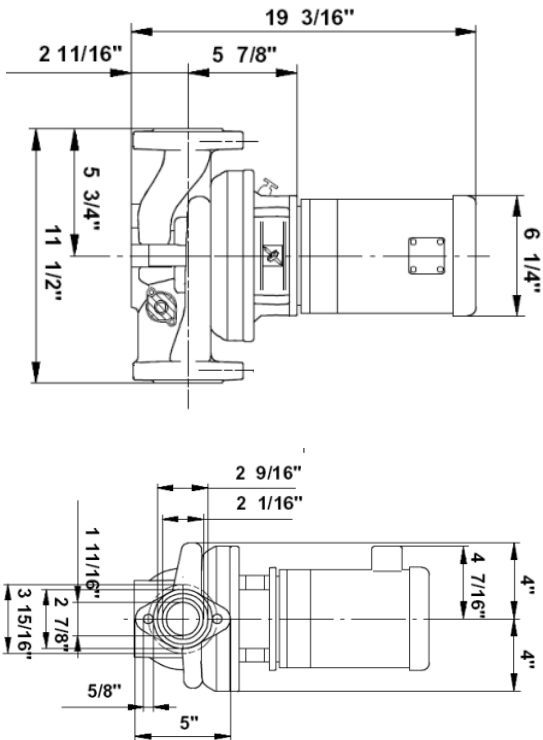
Pump Specifications

Part No.	HorsePower	Flanges	Valute Material	Flange Material	Vendor	Vendor Product Series	Orientation
PUM30004	3/4	2"	Bronze	Bronze	Grundfos	Versa Flow TP40-160	Vertical

Installation Specifications

Pump	Recommended for Model Numbers	Minimum GPM	Based on Installation Type
PUM30004	Armor Wtr Htr, AW(N,L) 701-801	63 GPM (701) & 67 GPM (801)	Single Water Heater piped to Single Storage Tank
	Based on Minimum Pipe Diameter	Based on Connecting piping	
	2"	Maximum 45 feet straight pipe with 4-Elbows, 2-Unions and 2-Ball Valves	

IMPORTANT: Read the Armor 151-801 Installation and Operation Manual. If the planned system exceeds the pump capacity in flow and/or head see "Pump-Curves-All Pumps" for alternate pumps and pump curves.



Lochinvar[®]
High Efficiency Water Heaters, Boilers and Pool Heaters

Lochinvar Corporation • 300 Maddox Simpson Pkwy • Lebanon, TN 37090 • 615-889-8900/Fax: 615-547-1000

www.Lochinvar.com