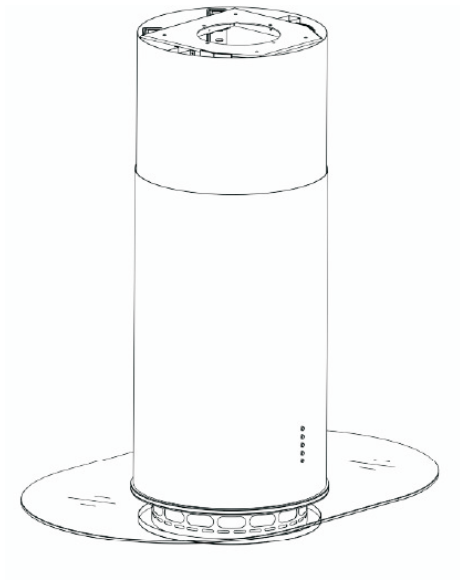


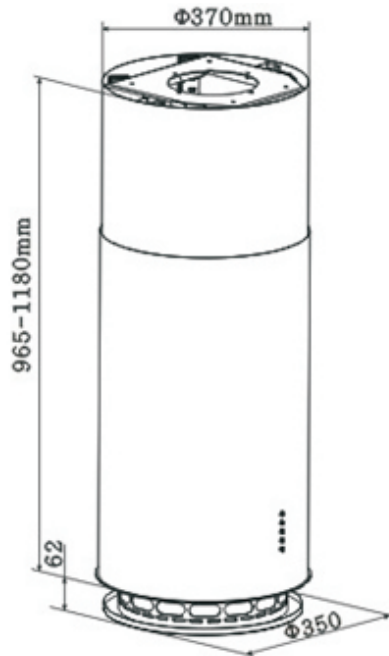
RANGE HOOD

User Manual



Thank you for your purchase of this product. Please read the manual carefully before operating the appliance.


Installation Diagram





Contents

| | |
|-----------------------------|----|
| Introduction..... | 1 |
| Features..... | 2 |
| Installation..... | 2 |
| Installation Procedure..... | 4 |
| How To Use..... | 5 |
| Lamp Change..... | 6 |
| Safety Information..... | 7 |
| Troubleshooting..... | 8 |
| Specifications..... | 9 |
| Electrical Diagram..... | 9 |
| Cleaning & Maintenance..... | 10 |
| Warranty..... | 10 |



Introduction

1.1 This appliance has been manufactured with materials and processes that respect the environment. We hope that you will continue this important consideration in the operation of this appliance & the disposal of the packaging materials, thank you.

1.2 The installation work must be undertaken by a qualified technician experienced in cooker hood installation. Please connect the correct power rating.

1.3 The manufacturer disclaims all liability for any damage or injury caused as a result of not following the instructions for installation contained in the following text.

1.4 The appliance is not intended for use by young children or infirm persons without supervision.

1.5 Young children should be supervised to ensure that they do not play with the appliance.

1.6 The maximum number of hobs covered by range hood should not exceed 5.

1.7 Any modifications to the appliance, electric wire and plug is dangerous & voids the warranty.

Features

2.1 This appliance is manufactured from top quality materials, and offers superb streamlined effects.

2.2 With high suction power and low noise, it is designed to remove cooking fumes from your kitchen quietly & effectively.

Installation

3.1 The range hood should be mounted at a distance of 650-750mm from the cooking surface for safety & optimum performance (If the instructions for installation of the gas hob specify a greater distance, this has to be taken into account.) (*see pic1*). That exhaust air must not be discharged into a flue which is used for exhausting fumes from other appliances burning gas or other fuels.

3.2 This item should be fitted by a [Competent person](#) or fitter who should only use the right screw fixing where applies.

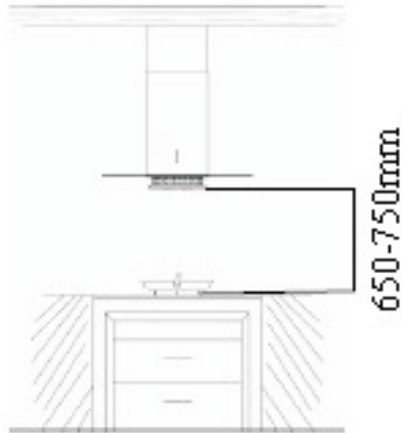
3.3 Ensure that the ceiling to be installed on is sufficiently sturdy to handle the weight of the hood.

3.4 Check that the hood is level and that it does not vibrate excessively when in operation.

3.5 Do not connect to a common vent with other appliance such as gas heater, water heater, laundry dryer etc.

3.6 Check to make sure that the electric chord is not in contact with sharp edges of the appliance.

3.7 Be sure that the plug is accessible after installation.



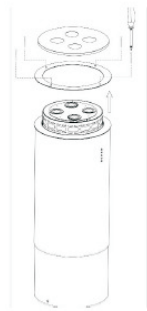
pic1

Installation Procedure

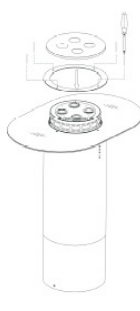
- 4.1 Take out the whole subassembly from the package box. The hood should stand upside down (*see pic 2*).
- 4.2 Detach the lamp panel and front fixed board of glass (*see pic 3*).
- 4.3 Attach the canopy with screws which are unfastened (*see pic 4*).
- 4.4 Adjust the brackets to the desired height.
- 4.5 Install the duct on the air outlet (*see pic5-1*).
- 4.6 Lift up the hood and mount the ceiling frame to the ceiling ensuring that it is sturdy enough to handle the weight of the hood. The connect the power and ducting system (*see pic 5-2& pic5-3*).
- 4.7 Slide the inner flue upwards slowly & carefully to avoid scratch. Secure the position with 2 screws onto the ceiling frame (*see pic5-4*).



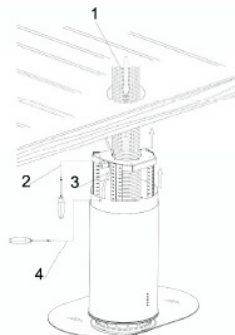
pic2



pic3



pic4



pic5

How To Use

3 Speed adjustment (see *pic 6*)

Push the Low button, and the motor runs at low speed .

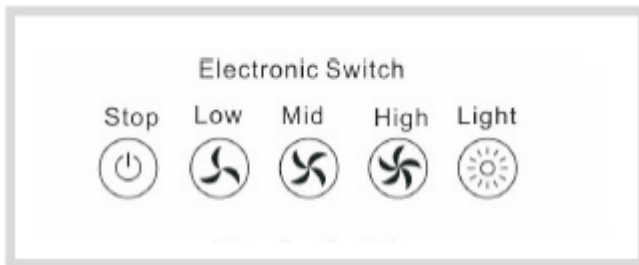
Push the Mid button, and the motor runs at mid speed .

Push the High button, and the motor runs at mid speed.

Push Stop button, and the motor will stop .

Push the Light button, and the four lighting lamps illuminate. Push it again and the lamp will turn off

Mood light (optional)—Push the Light button for 3 second long, and the mood light will illuminate, then push it again to change the mood light color. To turn off the mood light, push the Light button for 3 second long again.

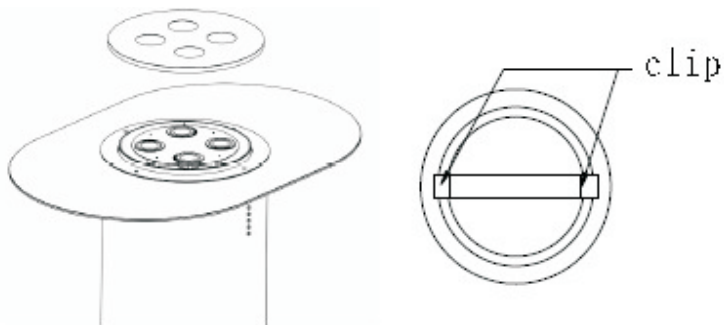


Pic 6

Lamp Change

As with any maintenance on the appliance, first turn off the power supply by unplugging from the wall socket.

1. Take out the lamp panel.
2. Detach the low-voltage electric connector.
3. Press the lamp's clip to take out the lamp holder (*see pic 7*).
4. Replace the lamp (LED Lamp Max.1.5W) and then reinstall in the reverse manner.



pic 7

Safety Information

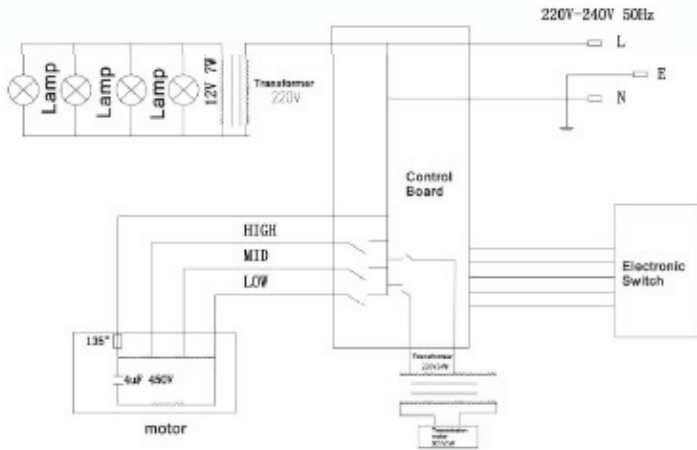
- There must permanent & adequate ventilation of the room when operating the range hood with appliances burning gas or other fuels.
- Do not check the status of the filters when the range hood is operating, wait at least 30 minutes after switching off to avoid scalding.
- Do not touch the (Halogen) light within 30 minutes after appliance use.
- Avoid operating a gas cooker when there is no pan on the stove, it is a fire hazard and may cause damage to the hood filters.
- Disconnect the electrical plug prior to any maintenance.
- This appliance is not intended for use by young children and persons unless they have been adequately supervised by a responsible person to ensure that they can use the appliance safely.
- The range hood is for home use only and is not suitable for outdoor, barbecue, and other commercial applications.
- The range hood and its filter should be cleaned regularly for best performance. Excessive grease will impede airflow and may cause the motor to overheat.
- Before cleaning, please confirm that the power is switched off.
- Building regulations concerning the discharge of exhaust air have to be fulfilled.
- Don't cook with an open flame under the range hood.
- For any technical issues ensure that a suitably qualified person effects any repairs or inspection.

Troubleshooting

If any problem occurs, please detach the plug from the socket and contact the manufacturer or its service agent or a similarly qualified person in order to avoid a hazard.

| Problem | Cause | Solution |
|--|---|---|
| Light on, but motor does not work | The outlet valve is blocked | Detach flue and duct then turn on the hood to check if the valve opens |
| | The capacitor has failed | Call for technical service |
| | The control switch has failed | Call for technical service |
| Light does not work, motor does not work | No power supply | Plug another appliance into the socket to confirm there is power supply |
| | Fuse has blown | Open up the plug and replace the 13A fuse |
| Vibration | The propeller is damaged or unbalanced | Call for technical service |
| | The hood is not installed correctly | Review the installation instructions & check the installation again for loose screws, brackets or connections |
| Insufficient suction effect | The distance between the hood and the cooker is | Check that the distance is between 650mm to 700mm |
| | The filters are saturated | Clean the filters from grease residue and replace after drying. |

Electrical Diagram



Specifications

| | |
|-----------------|-----------------------|
| Rated Input | 220V~240V,50Hz |
| Rated Power | 151W |
| Lighting Power | 1.5Wx4,7WX1 |
| Motor Power | 138W |
| Capacity | ≥760m ³ /h |
| Outlet diameter | 150mm |

Cleaning & Maintenance

Warning: Before cleaning, please ensure that the power is switched off by detaching the plug from the wall socket.

10.1 Clean the surface of hood every week with mild soap or detergent . Avoid solvents, acid, alkali, scouring pads or powders that could irreparably damage the stainless steel surface.

10.2 The grease filters may be washed using mild soap, detergent or degreasing agent.

10.3 Charcoal filters cannot be cleaned and must be generally replaced after 6 months of use.

Warranty

- This cooker hood covered by a 12 months warranty against manufacturing defects. The warranty does not cover normal wear and tear or product abuse by the consumer.
- Note Removal of the plug will VOID any warranty on your item. Please point this out to the company or person fitting the item.