

How to Contact Fluke

To contact Fluke, call one of the following numbers:

1-800-44-FLUKE (1-800-443-5853) in U.S.A. and Canada

+31 402-678-200 in Europe

+81-3-3434-0181 in Japan

+65-* -276-6196 in Singapore

+1-425-356-5500 in other countries

Visit us on the World Wide Web at:

www.fluke.com

In Case of Difficulty

If you are having trouble reading a bar code, perform the steps under "Resetting the Wand" in this *Instruction Sheet*. If you are unable to reset the wand, or if resetting the wand does not solve the problem, contact a Fluke Service Center.

Limited Warranty & Limitation of Liability

This Fluke product will be free from defects in material and workmanship for one year from the date of purchase. This warranty does not cover fuses, disposable batteries or damage from accident, neglect, misuse or abnormal conditions of operation or handling. Resellers are not authorized to extend any other warranty on Fluke's behalf. To obtain service during the warranty period, send your defective calibrator to the nearest Fluke Authorized Service Center with a description of the problem.

THIS WARRANTY IS YOUR ONLY REMEDY. NO OTHER WARRANTIES, SUCH AS FITNESS FOR A PARTICULAR PURPOSE, ARE EXPRESSED OR IMPLIED. FLUKE IS NOT LIABLE FOR ANY SPECIAL, INDIRECT, INCIDENTAL OR CONSEQUENTIAL DAMAGES OR LOSSES, ARISING FROM ANY CAUSE OR THEORY. Since some states or countries do not allow the exclusion or limitation of an implied warranty or of incidental or consequential damages, this limitation of liability may not apply to you.

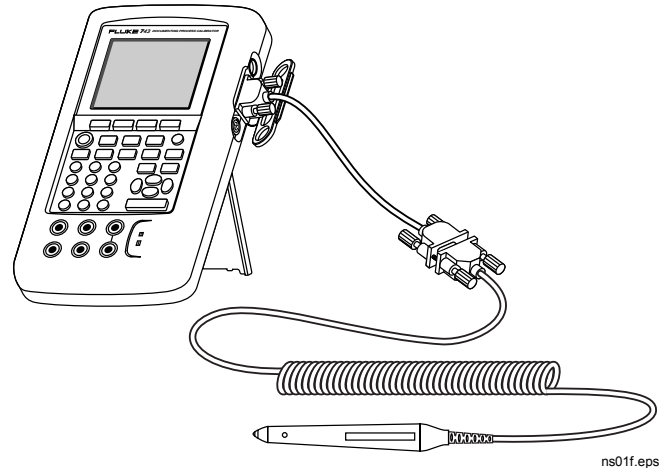
Fluke Corporation
P.O. Box 9090
Everett, WA 98206-9090
U.S.A.

Fluke Europe B.V.
P.O. Box 1186
5602 B.D. Eindhoven
The Netherlands

FLUKE®

Fluke-700BCW Bar Code Wand Fluke-700BCA Bar Code Adapter

Instruction Sheet



Introduction

The Fluke-700BCW Bar Code Wand accessory lets you scan bar encoded data into the Model 743B Documenting Process Calibrator. This wand allows you, for example, to enter an instrument's Tag ID number after you press the **Save** and **Continue** softkeys on the 743B.

The Fluke-700BCA Bar Code Adapter is an adapter cable that is included with the Fluke-700BCW, or is available separately if you already own a Hewlett Packard Model HBSW-8200 SmartWand Bar Code Reader.

The wand and adapter cable plug into the 743B SERIAL PORT, and transmit the characters encoded in a bar code label to the 743B.

In its default configuration, the wand automatically recognizes and decodes the following bar code symbologies:

- Code 39, Standard or Extended (Full ASCII)
- Interleaved 2 of 5
- UPC/EAN/JAN codes, with or without supplementals
- Code 128
- Codabar
- Code 11
- MSI Code
- Code 93

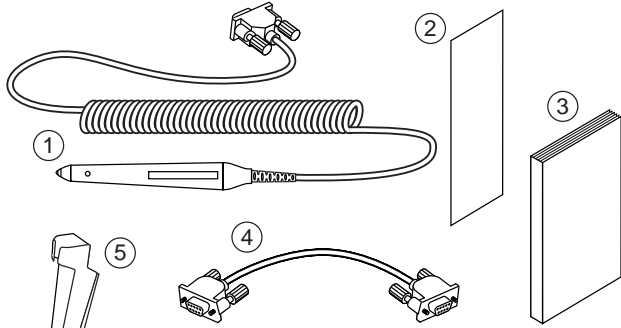
PN 606860
August 1997

©1997 Fluke Corporation. All rights reserved. Printed in U.S.A.
All product names are trademarks of their respective companies.

Box Contents

Model Fluke-700BCW is supplied with a Hewlett Packard Model HBSW-8200 SmartWand Bar Code Reader (1), Fluke *Instruction Sheet* (2), HP SmartWand Bar Code Reader *User's Manual* (3), adapter cable (Fluke-700BCA, pn 686607) (4), and a wand holder (5).

Model Fluke-700BCA is supplied only with the adapter cable (4), and Fluke *Instruction Sheet* (2).



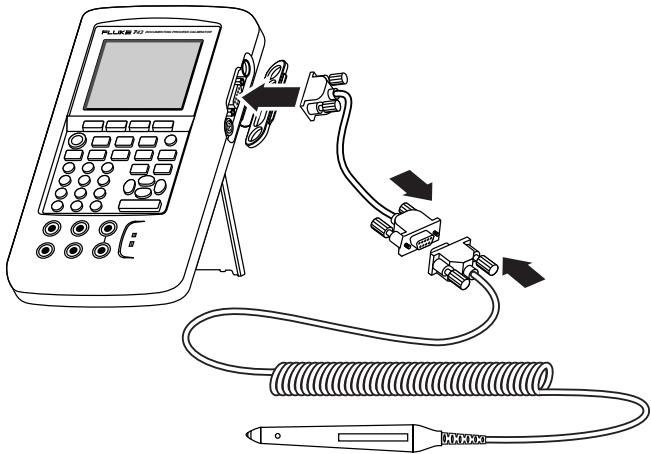
ns02f.eps

User Documentation

This *Instruction Sheet* provides all you will need to use the wand. You will also find references to using the wand where appropriate in the *741B/743B Users Manual*. For technical reference material about the wand, refer to the *HP SmartWand Bar Code Reader User's Manual*.

Connecting the Wand

1. Attach the wand cable to the adapter cable.
2. Attach the adapter cable to the 743B SERIAL PORT to the right of the display.



ns03f.eps

Scanning a Bar Code

You can only use the wand when you see one of the following displays on the 743B:

- The Tag, S/N, ID entry window you see after you press the **Save** and **Continue** softkeys.
- An alphanumeric entry window.
- The Task List you see after you press the **Tasks** softkey.

The green indicator light near the tip of the wand blinks when the 743B enters one of the above conditions, indicating that the wand is enabled to read a bar code. Whenever the wand is enabled, you can see a red point of light at the tip.

Scan a bar code by holding the wand at an angle of 15 to 30° from vertical and swiping from left to right. If desired, you can wait until you need the wand to plug it in and use it, then remove it after scanning. A picture showing how to hold the wand is in Chapter 1 of the *HP SmartWand Bar Code Reader User's Manual*.

When you get a successful scan, the green light near the tip of the wand blinks and the scanned characters appear on the 743B display.

Resetting the Wand

The wand's operating parameters can be reprogrammed by scanning special bar codes, but it is not recommended that you reprogram the wand for use with the 743B.

If the wand's program somehow becomes altered, you can reset the wand to its default operating parameters by scanning the "Firm Reset" bar code in the *Hewlett Packard SmartWand Bar Code Reader User's Manual*. The wand must be attached to the 743B, and the 743B must be ready to receive bar code wand input in order to scan the Firm Reset bar code.

To reset the wand to its default configuration, proceed as follows:

1. Connect the wand to the 743B as shown left.
2. Press the **Save** softkey, followed by **Continue**.

The green indicator light should blink and there should be a red point of light at the tip of the wand. If these lights do not appear when you press the **Save** and **Continue** softkey sequence, stop here and contact a Fluke Service Center.

3. Scan the Firm Reset bar code near the beginning of Chapter 4 of the *Hewlett Packard SmartWand Bar Code Reader User's Manual*. The green indicator light blinks four times to indicate a successful firm reset.