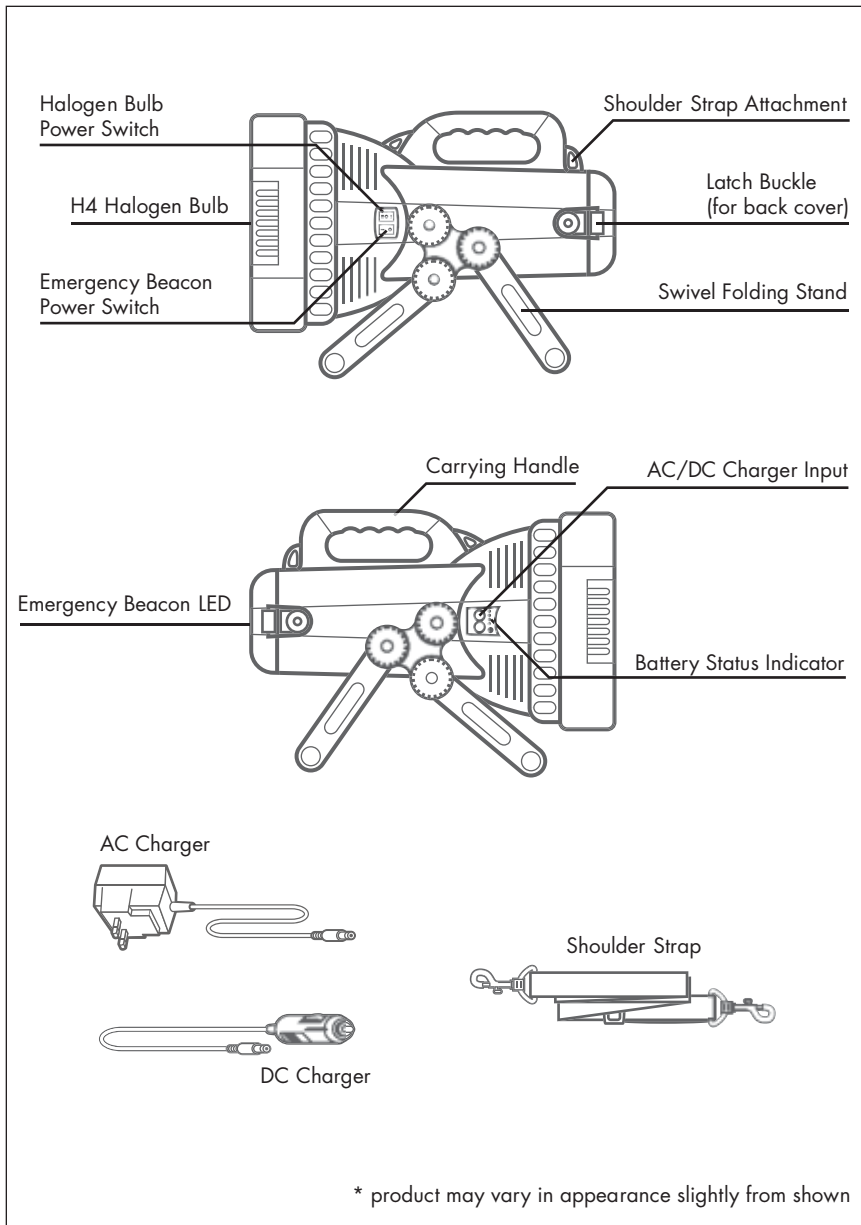


# 18M Brite-Nite™ MEGA SPOTLIGHT



User's Manual



Thank you for purchasing the 18M Brite-Nite™ Mega Spotlight by Wagan Tech. With minimal care and proper treatment it will provide years of reliable service. Please read all operating instructions carefully before using the unit. Keep this user's manual for future reference.

## INTRODUCTION

This spotlight is useful for accomplishing a variety of activities. In the field, it serves as a powerful spotlight. During tire changes at night, the lantern can light the area while the red flashing emergency beacon warns motorists to avoid the area. Two chargers are included allowing either DC charge from a cigarette lighter socket or from any AC socket. The spotlight has a folding stand that can be used to aim the spotlight beam onto a targeted area.

## FEATURES

- Sealed rechargeable 12V lead-acid battery
- Charge in vehicle from cigarette lighter socket with 12V DC adapter
- Charge at home with AC adapter
- Large handle for easy carrying and use
- Red flashing emergency beacon LED light
- Yellow LED indicator lights let the user know that charging power is connected
- A retractable stand allows the spotlight beam to be positioned at a variety of angles
- Nylon shoulder strap for easy carrying

## SPECIFICATIONS

- Operating Voltage: 12V DC
- Sealed Lead-acid Battery: 12V DC, 7 AH
- Quartz Halogen Bulb: 12V, 50/120 Watt, H4
- Dimensions: 40 x 25.5 x 26.3 cm
- Weight: 4.4 kg

## GENERAL SAFETY PRECAUTIONS

FAILURE TO HEED THESE PRECAUTIONS MAY RESULT IN PERSONAL INJURY AND/OR PROPERTY DAMAGE.

- As with all lead-acid cell batteries, be sure to fully recharge the battery before storing.
- Turn off all lamp functions and allow unit to cool before storing.

- Do not drop unit as this may cause damage.
- The lens will become hot during operation even after immediate shutdown of unit.
- Do not cover lens or reflector during operation.
- Do not shine lights directly into eyes.
- When maintaining the spotlight, always wear safety glasses.
- Only use supplied chargers.
- Recharge fully every 3–6 months even if the unit is not in use. This will prolong the life of the battery.
- This power unit is intended to be correctly orientated in a vertical or floor mount position. Do not lay the spotlight lens downward when on.
- Do not use in wet conditions for the spotlight may short circuit.
- Do not expose to high temperature or fire, as the battery may explode.
- Charging produces hydrogen gas that may explode when exposed to fire.
- Do not use near flammable liquids, combustible materials or gasses.
- Do not use for any other purpose than momentary lighting.
- Do not modify or alter this unit.
- Do not charge the spotlight for more than 30 hours. Overcharging will shorten battery life.
- Avoid charging the battery at temperatures below 40° F (4° C).
- The DC charger cigarette lighter plug becomes warm when used. Unplug from cigarette lighter receptacle with caution.
- Keep out of reach of children.

### CHARGING YOUR SPOTLIGHT

Your Spotlight is supplied with two charging adapters. One adapter is powered by standard 110 volts AC. This is the AC charger. The other charging adapter is the DC charger. Be sure to charge the unit completely before the first use. This step will prolong the life of the internal battery. Use the AC charger for the first charge. Charge the battery for 24 hour before first use. **DO NOT use any charging means other than those provided. DO NOT operate the spotlight while charging, as you may damage the charging adapter and discharge the spotlight's batteries.**

#### AC Charging

The AC charger provides a slow steady charge to the unit. Charge for a maximum of 16 hours (except for the initial 24 hour charge) and do not overcharge.

1. Make sure that all switches are set to "O", the off position
2. With the AC charger, insert the DC plug into the AC charger jack on the spotlight

3. Plug the wall module of the AC charger into the AC outlet on wall
4. The red indicator LED will light up to indicate the spotlight is charging
5. Indicator LEDs will illuminate increasingly, from RED, YELLOW to GREEN depending on battery status at time of charging.
  - RED LED: Battery is low
  - RED/YELLOW LEDs: Battery is slightly full
  - RED/YELLOW/GREEN LEDs: Battery is medium full
  - RED/YELLOW/2 GREEN LEDs: Battery is completely full

#### DC Charging

Any 12V DC power outlets, such as ones found in automobiles, boats and jump starters can charge this spotlight using the DC charger. For full charge, the power source must be from a vehicle or boat DC outlet and the engine should be running. Charge for 10 hours maximum. Do not overcharge.

1. Make sure that all switches are set to "O", the off position
2. With the DC charger, insert the smaller DC plug into the DC charger jack on the spotlight
3. Plug the larger DC plug into the cigarette lighter outlet
4. The Indicator RED LED will light up to indicate the spotlight is charging
5. Indicator RED/YELLOW LEDs will illuminate during charging.

### USING THE HALOGEN SPOTLIGHT/FLASHING EMERGENCY LIGHT

There are two Rocker type switches. One switch has 2 positions, the other has three positions and are marked I, O, and II. Always store the lamp with both switches in the "O" position.

The halogen spotlight rocker switch and functions are shown in the table below:

Switch Location/Function	Halogen Spotlight (Rocker Switch 1)
"O" Position	OFF
"I" Position	Spotlight ON — High intensity
"II" Position	Spotlight ON — Low intensity

The flashing emergency light rocker switch and functions are shown in the table below:

Switch Location/Function	Flashing Emergency Light (Rocker Switch 2)
"O" Position	OFF
"I" Position	Flashing Red Emergency LED ON

### USING THE SWIVEL FOLDING STAND

To adjust the stand, loosen all lock caps by turning the caps counter-clockwise. Position the stand to desired height and angle. Once at desired position, tighten the caps by turning clockwise until the stand is securely fixed.

### USING THE BATTERY STATUS INDICATOR

Make sure all switches are set to the "O" OFF position. Unplug all chargers from the spotlight. Press the TEST button to indicate battery status.

- RED LED: Battery is low. Charge immediately.
- RED/YELLOW LEDs: Battery is partially full.
- RED/YELLOW/GREEN LEDs (all LEDs ON): Battery is fully charged.

### USING THE SHOULDER STRAP

Locate the shoulder strap holes at the front and rear at the base of the handle. Obtain the nylon shoulder strap. Open the clip at one end of the strap and hook onto one of the shoulder strap holes. Open the clip at the other end of the shoulder strap and hook onto the other shoulder strap hole.

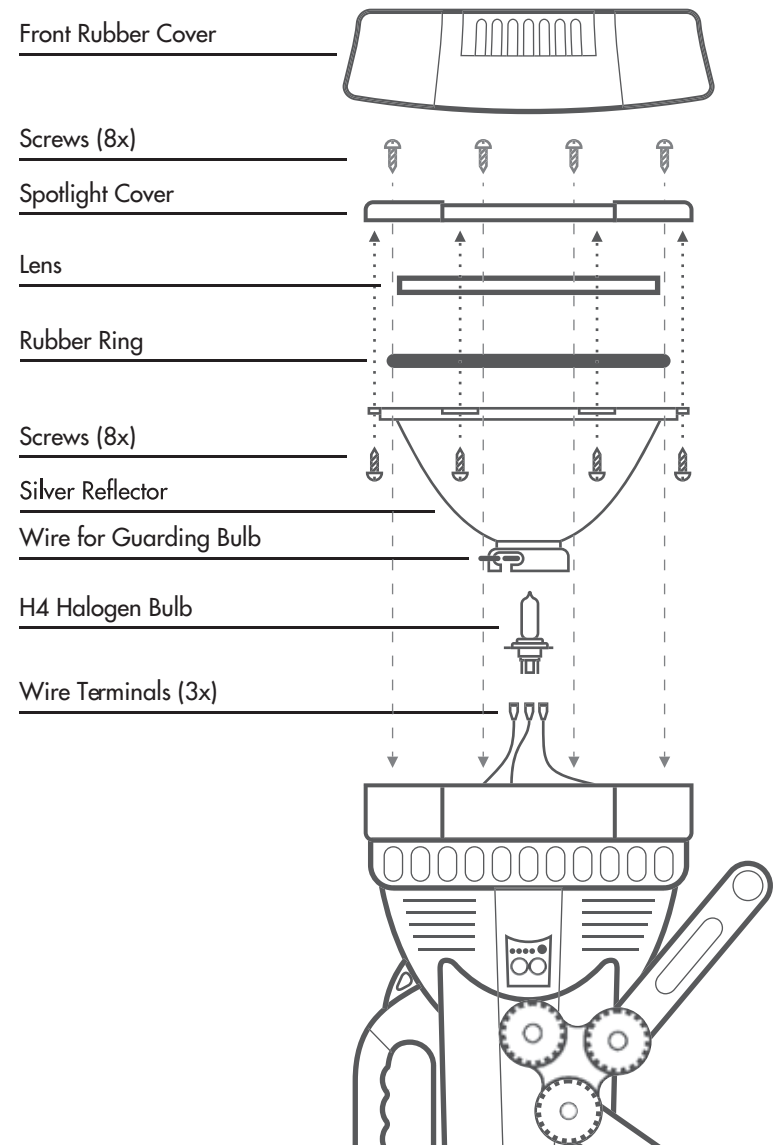
### REPLACING THE SPOTLIGHT BULB (Fig.1)

The 18M Brite-Nite™ Mega Spotlight uses a 12V, 50/120 Watt H4 quartz-halogen bulb. If the spotlight bulb burns out, you can purchase a replacement from most automotive supply stores.

#### Procedure

1. Make sure ALL charging adapters are disconnected from the unit.
2. Make sure ALL switches are set to the OFF "O" position.
3. Make sure spotlight is cool. Allow at least 30 minutes after service before handling bulb.
4. Pull off the front rubber edging.
5. Unscrew (8 screws) the spotlight cover and remove.
6. Gently remove the lens and rubber ring.
7. Carefully remove the reflector assembly.
8. Release the bulb guarding wire from the reflector flange, freeing the bulb from the reflector housing.
9. Disconnect the colored wires from the bulb wire terminals, making sure to note for proper reattachment later which colored wire was connected to their respective bulb wire terminal.
10. Carefully remove the bulb and set it aside.

(Fig.1)



**NOTE:** The glass of the new bulb must not be touched with bare hands. Finger grease deposited on the glass will create hot spots on the bulb and decrease its life. If the bulb glass is accidentally touched, it can be cleaned with a lint free cloth dampened with alcohol.

11. Carefully remove the new bulb from its package without touching the bulb's glass.
12. Place the new bulb in the reflector assembly flange.
13. Replace the wire guarding the bulb, hooking the ends into the reflector flange.
14. Connect colored wires onto their respective bulb wire terminals.
15. Replace the reflector assembly, rubber ring, and lens.
16. Screw on the spotlight cover making sure it is secure.
17. Pull the rubber edging around the spotlight cover.
18. Check for proper operation by turning ON the switch.
19. Recharge the battery as required.

### REPLACING THE BATTERY (Fig.2)

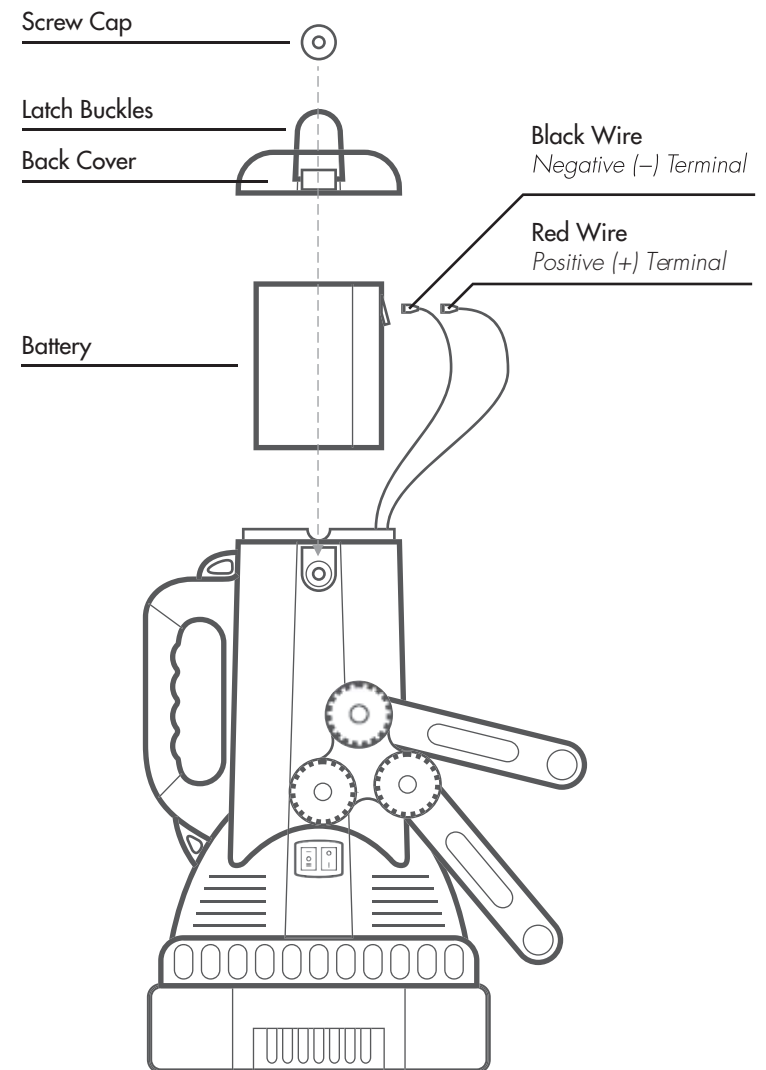
**WARNING:** This battery contains lead. Exposure to lead is known to cause birth defects, other reproductive harm and cancer.



Let competent personnel replace and dispose of the battery. DO NOT reverse the polarity when connecting battery. The battery in the Spotlight is a 12V, 7AH sealed lead-acid battery. Factors regarding the state of charge, vibrations and temperature can decrease battery life. When disposing of lead-acid batteries, follow local regulations. Batteries contain substances that can have potential environmental and health effects. Contact your local Solid Waste Authority for recycling information.

1. Unscrew and remove the rear cover locking screws.
2. Take off the locking buckles.
3. Remove the back cover and set aside.
4. Pull out the battery.
5. Disconnect the terminals from the wiring and set aside the battery in a safe area.
6. Obtain the new battery and connect the wires to the battery terminals. Black wire to the negative (-) lead. Red wire to the positive (+) lead.
7. Place the battery back into the spotlight housing.
8. Put the rear cover over the end of the spotlight housing.
9. Replace the locking buckles.
10. Screw the rear cover locking screws securely into the spotlight housing.

(Fig.2)



### DISPOSAL/RECYCLING

All electronic equipment contains materials that can damage the environment if not properly disposed of. Contact your local authority for disposal or recycling instructions.

If the batteries are disposed of incorrectly, the toxic contents can potentially leak into the ground and/or the water supply. It is important that consumers who have access to the used batteries dispose of them properly. Please recycle the battery at your local recycling centers or household recycling centers in your community.

**WARNING: This battery contains lead. Exposure to lead is known to cause birth defects, other reproductive harm and cancer.**



This symbol means the rechargeable battery contains lead, Pb, and must be disposed of or recycled properly according to local regulations.

## WAGAN Corp. Limited Warranty

All WAGAN Corporation products are warranted to the original purchaser of this product.

**Warranty Duration:** This product is warranted to the original purchaser for a period of one (1) Year from the original purchase date, to be free of defects in material and workmanship. WAGAN Corporation disclaims any liability for consequential damages. In no event will WAGAN Corporation be responsible for any amount of damages beyond the amount paid for the product at retail. In the event of a defective item, please contact WAGAN Corporation at (800) 231-5806 to obtain a Returned Merchandise Authorization number (RMA#), and return instructions. Each item returned will require a separate RMA#. After you have received the RMA# and the return instructions from WAGAN Corporation, please follow the instructions and send the item with PREPAID SHIPPING, along with all of the required documentation, a complete explanation of the problem, your name, address and daytime phone number. WAGAN Corporation will, at its option, replace or repair the defective part.

A Returned Merchandise Authorization number (RMA#) is REQUIRED when sending in any defective item. WAGAN Corporation is not responsible for any item(s) returned without an official Returned Merchandise Authorization number. The item(s) must be returned with prepaid shipping. WAGAN Corporation is not responsible for any shipping charges incurred in returning the item(s) back to the company for repair or replacement. This warranty is void if the product has been damaged by accident, in shipment, unreasonable use, misuse, neglect, improper service, commercial use, repairs by unauthorized personnel or other causes not arising out of defects in materials or workmanship. This warranty is effective only if the product is purchased and operated in the USA and does not extend to any units which have been used in violation of written instructions furnished.

**Warranty Disclaimers:** This warranty is in lieu of all warranties expressed or implied and no representative or person is authorized to assume any other liability in connection with the sale of our products. There shall be no claims for defects or failure of performance or product failure under any theory of tort, contract or commercial law including, but not limited to negligence, gross negligence, strict liability, breach of warranty and breach of contract.

**Warranty Performance:** During the above one (1) Year warranty period, a product with a defect will be replaced with a comparable model when the product is returned to WAGAN Corporation with an original store receipt. The replacement product will be in warranty for the balance of the one (1) Year warranty period.

*Updated August 2008*



[www.wagan.com](http://www.wagan.com)  
[customerservice@wagan.com](mailto:customerservice@wagan.com)  
Toll Free: 1.800.231.5806

31088 San Clemente Street  
Hayward, CA 94544  
U.S.A.