

# R2R DAC™

Manual

*All Mikroelektronika's development systems feature a large number of peripheral modules expanding microcontroller's range of application and making the process of program testing easier. In addition to these modules, it is also possible to use numerous additional modules linked to the development system through the I/O port connectors. Some of these additional modules can operate as stand-alone devices without being connected to the microcontroller.*

Additional board

 **MikroElektronika**

SOFTWARE AND HARDWARE SOLUTIONS FOR EMBEDDED WORLD ...making it simple

## R2R DAC

The R2R DAC additional board is used to convert a digital voltage signal into analog.

### Key features:

- 8-bit resolution;
- Low power consumption;
- 3.3 or 5V power supply voltage.

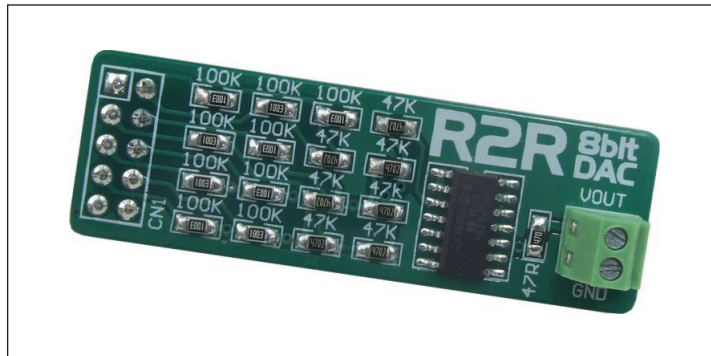


Figure 1: R2R DAC additional board

### How to connect the board?

The R2R DAC additional board is connected to a development system via a 2x5 connector CN1 on the additional board and one of 2x5 connectors on the development system. Analog voltage signal is delivered via a screw terminal CN2.

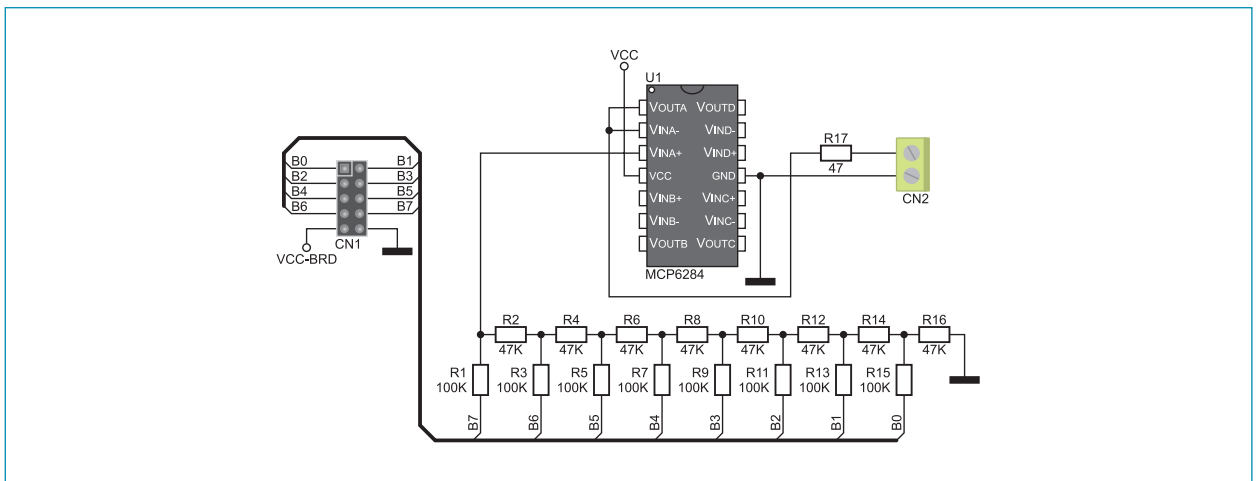


Figure 2: R2R DAC additional board connection schematic

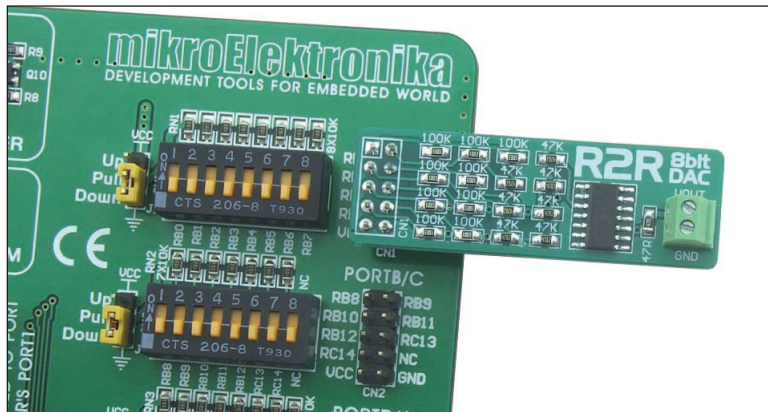


Figure 3: R2R DAC connected to a development system

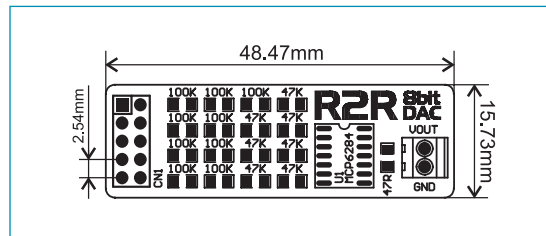


Figure 4: Dimensions of the R2R DAC board



**MikroElektronika**  
SOFTWARE AND HARDWARE SOLUTIONS FOR EMBEDDED WORLD ...making it simple

If you want to learn more about our products, please visit our website at [www.mikroe.com](http://www.mikroe.com)

If you are experiencing some problems with any of our products or just need additional information, please place your ticket at [www.mikroe.com/en/support](http://www.mikroe.com/en/support)

If you have any questions, comments or business proposals, do not hesitate to contact us at [office@mikroe.com](mailto:office@mikroe.com)

# Mouser Electronics

Authorized Distributor

Click to View Pricing, Inventory, Delivery & Lifecycle Information:

[mikroElektronika:](#)

[MIKROE-391](#)