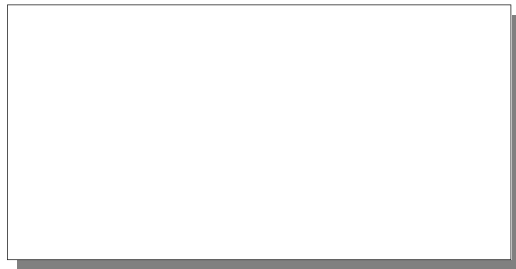


For original parts & reliable service :



---

*PROFESSIONAL  
EXTRACTOR HOOD*

**USER MANUAL**

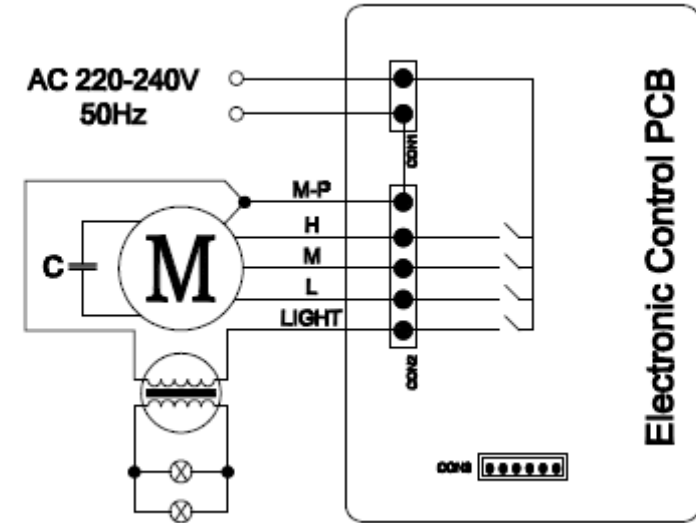
**INSTALLATION INSTRUCTIONS**



## Table of Contents

- From the Manufacturer 3
- Specifications 3
- SAFETY : Read this first ! 4, 5
- Vent System Requirement 5
- Description of Parts 6
- Ducted mode 7
- Installation 8, 9, 10
- Electrical Connection 11
- Operation 12
- Cleaning & Maintenance 13
- Troubleshooting 14
- Schematic Diagram 15

## Schematic Diagram



## Troubleshooting

Symptoms	Possible Cause	Action
Does not function	No electrical supply	Check that the plug is connected.
		Check that the main switch is turned on.
Poor airflow	Aluminum grease filters clogged	Clean the filters and replace when dry
	Charcoal grease filters clogged	Replace charcoal filters with new sets
Motor running but no airflow	Butterfly valve jammed	Contact technician
Motor cuts after a few minutes	High temperature safety device activated	The kitchen is not sufficiently ventilated
	The hood is installed too near the cooking stove	The hood must be least 65cm from stove
Strong cooking smell	Charcoal filters not installed	In re-circulating mode, charcoal filters must be installed
Oil dripping onto stove	Aluminum grease filter saturated	Wash the aluminum grease filters
	Aluminum grease filter saturated	Wash the aluminum grease filters
Whirring sound	Foreign object in contact with fan blade	Contact technician

## From the Manufacturer

- This appliance and it's packaging are produced by processes that minimize waste and respect the environment.
- Please help us to continue the protection of the environment by disposing of the packaging in a correct manner.
- **Safety !**
- Please do not allow young children to play with the plastic bag packaging.
- Before disposing of any old appliances, be sure to cut off the power chord so that others will not be endangered by a defective electric appliance

## Specifications

Input : 220-240V 50Hz

Absorption

- Motor version : 1 X 135W
- Lamps : 2 X 20W

Total Power : 175W

External Dimensions

- 60cm version : 598\*500\*140mm
- 70cm version : 698\*500\*140mm
- 90cm version : 898\*500\*140mm

## **SAFETY : Read this First !**

- Do not connect the appliance if there are obvious signs of transportation damage.
- Read this user manual thoroughly before attempting to use this appliance.
- Installation and repair should be attempted only by qualified technical personnel.
- It is dangerous to modify any part of this appliance.
- The manufacturer declines all responsibility in case of failure to adopt proper safety measures.
- Ensure the location in which this appliance is installed has good, permanent ventilation.
- The distance between the bench top to the lower part of the hood must not be at less than 65 cm or higher than 75 cm.
- Use an electrical connector with earth that is correct for your location.
- Check that the voltage in your area is correct before plugging in.
- The electrical connection of this appliance:

<b>Blue</b>	<b>=</b>	<b>NEUTRAL</b>
<b>Brown</b>	<b>=</b>	<b>LIVE</b>
- Multiple plugs and extension cables must not be used. Overload is dangerous and may cause a fire.
- Ensure that the power supply chord is free from any heat source or sharp objects.
- The appliance should be switched off and the electrical supply disconnected before any cleaning or maintenance work can be carried out.
- This appliance is not intended for use by persons (including children) with reduced physical, sensory or mental capabilities, or lack of experience and knowledge, unless they have been given supervision or instruction concerning use of the appliance by a person responsible for their safety. Children should be supervised to ensure that they do not play with the appliance.
- If the supply cord is damaged, it must be replaced by the manufacturer, its

## **Cleaning & Maintenance**

**SURFACES** : Wash with warm soapy water and a soft sponge. Never use abrasive detergent, scouring pads, steel wool or solvents on any part of this appliance as this will cause irreparable damage.

**Aluminum Grease Filters** : Wash in the dishwashers or soak the panels in a degreasing agent for an hour, then rinse off.

**LIGHT BULB REPLACEMENT** : Before attempting to replace the light bulb, make sure that the light switch is turned off. Remove the grease filter to access the lamp area. Remove the damaged light bulb and replace with an incandescent oval bulb maximum 20W.

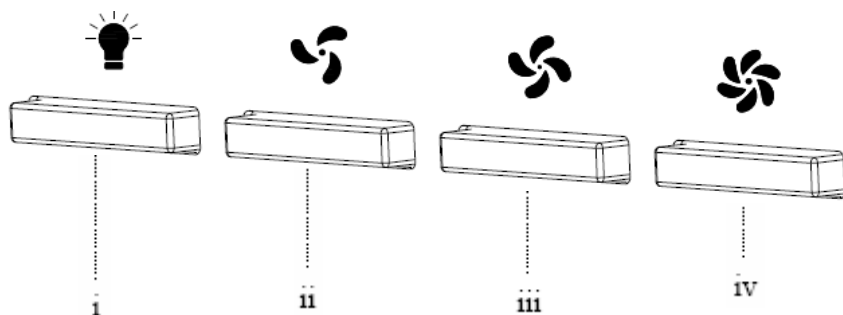
## Operation

The hood is equipped with 3 speed control.

Use the low speed for simmering, medium speed for light cooking.

Use the high speed for frying or heavy cooking.

It is also equipped with a light bulb to illuminate your cooking area when needed.



### Light On/Off Button (i)

On/Off switch for the light. Push the button in to turn the light ON, push again to turn the light OFF.

### Blower On and Speed Buttons (ii, iii & iv)

Button (ii) operates the blower on LOW speed, push again to turn off.

Push button (iii) for MEDIUM speed, push again to turn off.

Push button (iv) for HIGH speed, push again to turn off.

## SAFETY : Read this First ! (Continued)

Service agent or similarly qualified persons in order to avoid a hazard.

- There shall be adequate ventilation of the room when the range hood is used at the same time as appliances burning gas or other fuels (not applicable to appliances that only discharge the air back into the room);
- There is a fire risk if cleaning is not carried out in accordance with the instructions.
- Do not flambé under the range hood.
- The appliance uses 4 hob elements at most.

## Vent System Requirements

Determine which venting method is best for your application. Vented (non-recirculating) system must be terminated to the outside. Ductwork can extend either through the wall or the roof. Do not terminate the vent system in an attic or other enclosed area.

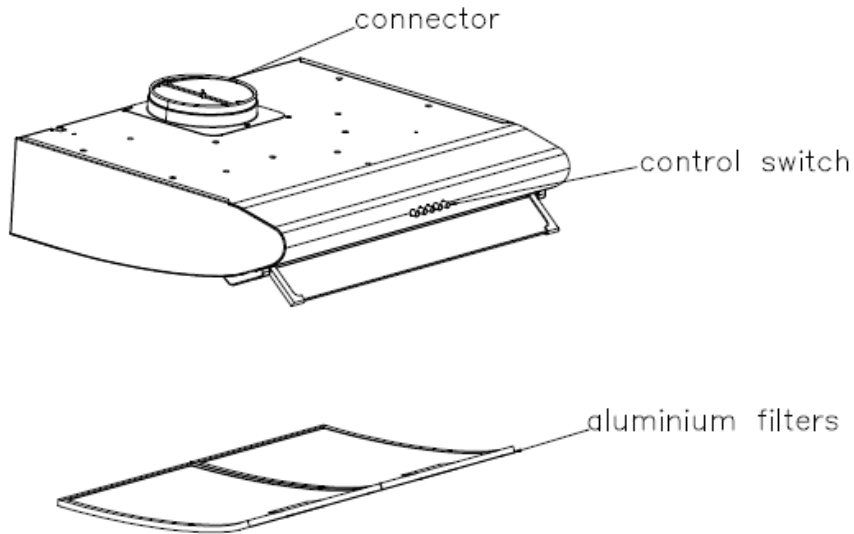
The length of the ductwork and the number of elbows should be kept to a minimum to provide efficient performance. The size of the ductwork should be uniform. Do not install two elbows together. Use duct tape to seal all joints in the ductwork system. Use caulking to seal exterior wall or floor opening around the cap.

**Flexible ductwork is not recommended. Flexible ductwork creates back pressure and air turbulence that greatly reduces performance.**

Make sure there is proper clearance within the wall or floor for exhaust duct before making cutouts. Do not cut a joist or stud unless absolutely necessary. If a joist or stud must be cut, then a supporting frame must be constructed.

## Description of Parts

### A. DUCTED MODE



## Electrical Connection

Before completing any connection, make sure the house voltage corresponds with the voltage indicated on the label affixed inside the hood.

It is advisable to call a qualified technician to make the electrical connection.

### ***Appliance fitted with plug***

Connect it to a socket which conforms with current regulations.

If you intend to connect it directly to the electric mains, remove the plug and fit an approved bipolar switch with a minimum contact opening of not less than 3mm.

If the plug is not accessible once it has been inserted in the socket, it will however be necessary to fit an approved bipolar switch with a minimum contact opening of no less than 3mm.

### ***Appliance without plug***

Fit an approved plug or an bi-polar switch with a minimum contact opening of no less than 3mm.

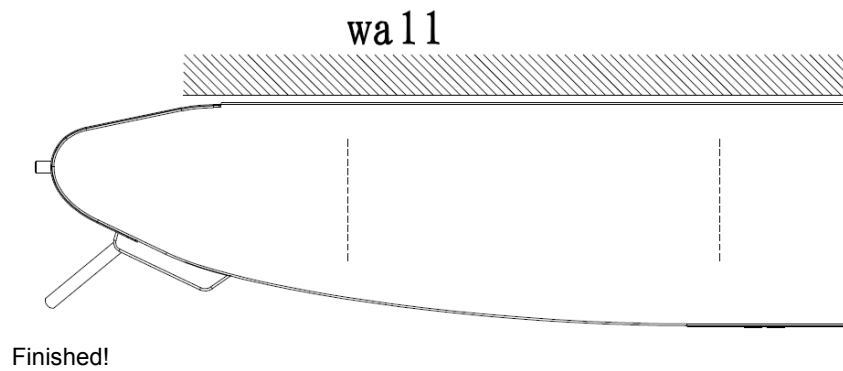
The manufacturer are not liable for any problems caused by the user's failure to observe the above instructions

## Installation (2)

STEP 1 : Remove the aluminum filters and place them in a safe location to avoid damage.

STEP 2 : Hang the hoods first and then Install the 2 screws in the wall through the inside of the hoods like below picture showed.

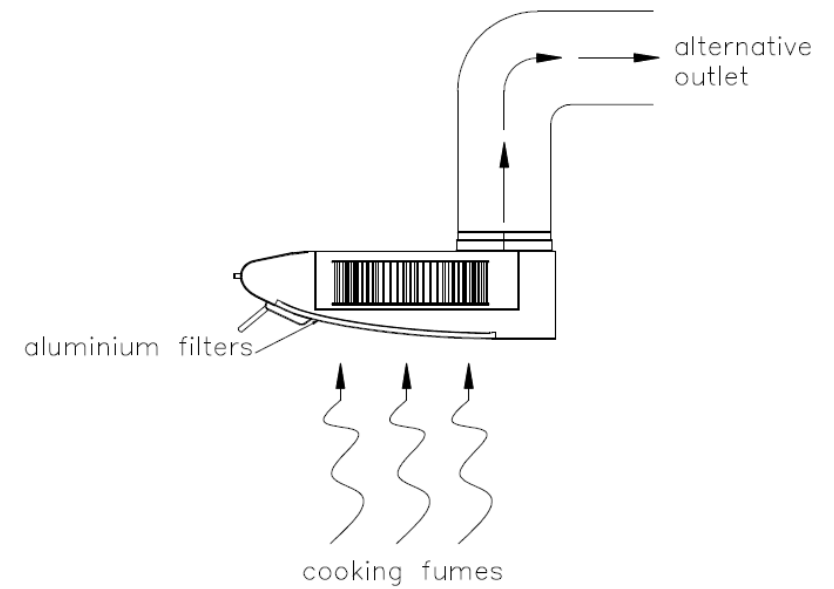
STEP 3 : Turn the screws clockwise until locked.



## Ducted mode

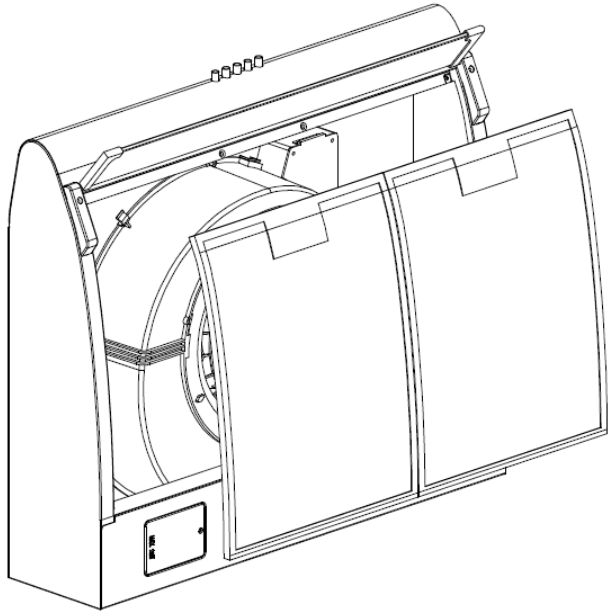
### **A. DUCTED MODE (VENTED MODE)**

- In the ducted mode, cooking fumes are vented outdoors through suitable connection of 125mm diameter. In this mode, only the aluminum filters are installed.

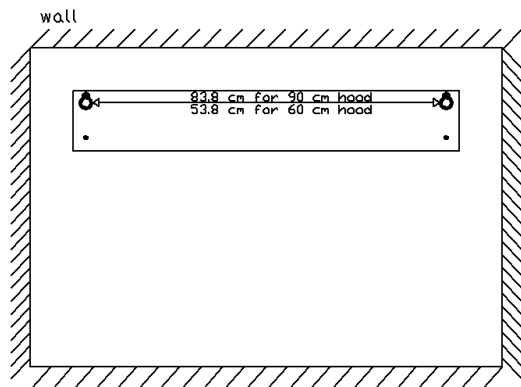


## **Installation (1)**

STEP 1 : Remove the aluminum filters and place them in a safe location to avoid damage.

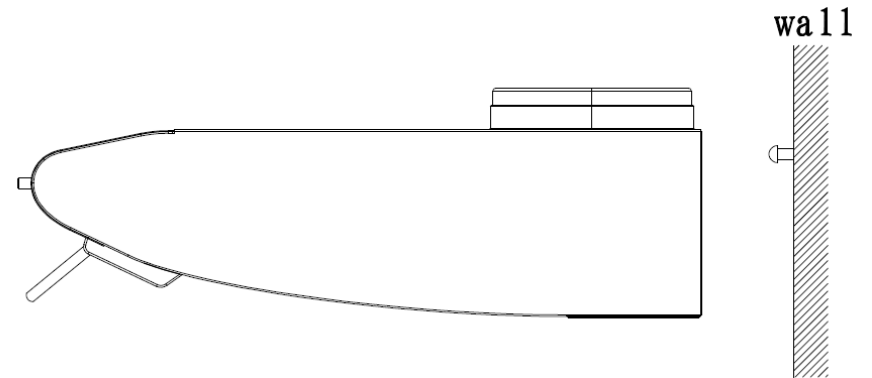


STEP 2 : Install the 2 screws on the wall.



## **Installation (1)** (Continued)

STEP 3 : Hang the hood on the 2 screws.



STEP 4 : Tighten the 2 screws completely.



Finished!