

HD10MD3 HDTV HD to SDI Down Converter

User Manual



AJA
AJA VIDEO SYSTEMS INC

December 30, 2004 P/N 101638-01

Trademarks

AJA, Io, and Kona are trademarks of AJA Video, Inc. All other trademarks are the property of their respective holders.

Notice

Copyright © 2004/2005 AJA Video, Inc. All rights reserved. All information in this manual is subject to change without notice. No part of the document may be reproduced or transmitted in any form, or by any means, electronic or mechanical, including photocopying or recording, without the express written permission of AJA Inc.

FCC Emission Information

This equipment has been tested and found to comply with the limits for a Class A digital device, pursuant to Part 15 of the FCC Rules. These limits are designed to provide reasonable protection against harmful interference when the equipment is operated in a commercial environment. This equipment generates, uses and can radiate radio frequency energy and, if not installed and used in accordance with the instruction manual, may cause harmful interference to radio communications. Operation of this equipment in a residential area is likely to cause harmful interference in which case the user will be required to correct the interference at his own expense. Changes or modifications not expressly approved by AJA Video can effect emission compliance and could void the user's authority to operate this equipment.

Contacting Support

To contact AJA Video for sales or support, use any of the following methods:

443 Crown Point Circle, Grass Valley, CA. 95945 USA

Telephone: +1.800.251.4224 or +1.530.274.2048

Fax: +1.530.274.9442

Web: <http://www.aja.com>

Support Email: support@aja.com

Sales Email: sales@aja.com

When calling for support, have all information on the product (serial number etc.) at hand prior to calling.

Limited Warranty

AJA Video warrants that this product will be free from defects in materials and workmanship for a period of five years from the date of purchase. If a product proves to be defective during this warranty period, AJA Video, at its option, will either repair the defective product without charge for parts and labor, or will provide a replacement in exchange for the defective product.

In order to obtain service under this warranty, you the Customer, must notify AJA Video of the defect before the expiration of the warranty period and make suitable arrangements for the performance of service. The Customer shall be responsible for packaging and shipping the defective product to a designated service center nominated by AJA Video, with shipping charges prepaid. AJA Video shall pay for the return of the product to the Customer if the shipment is to a location within the country in which the AJA Video service center is located. Customer shall be responsible for paying all shipping charges, insurance, duties, taxes, and any other charges for products returned to any other locations.

This warranty shall not apply to any defect, failure or damage caused by improper use or improper or inadequate maintenance and care. AJA Video shall not be obligated to furnish service under this warranty a) to repair damage resulting from attempts by personnel other than AJA Video representatives to install, repair or service the product, b) to repair damage resulting from improper use or connection to incompatible equipment, c) to repair any damage or malfunction caused by the use of non-AJA Video parts or supplies, or d) to service a product that has been modified or integrated with other products when the effect of such a modification or integration increases the time or difficulty of servicing the product.

THIS WARRANTY IS GIVEN BY AJA VIDEO IN LIEU OF ANY OTHER WARRANTIES, EXPRESS OR IMPLIED. AJA VIDEO AND ITS VENDORS DISCLAIM ANY IMPLIED WARRANTIES OF MERCHANTABILITY OR FITNESS FOR A PARTICULAR PURPOSE. AJA VIDEO'S RESPONSIBILITY TO REPAIR OR REPLACE DEFECTIVE PRODUCTS IS THE WHOLE AND EXCLUSIVE REMEDY PROVIDED TO THE CUSTOMER FOR ANY INDIRECT, SPECIAL, INCIDENTAL OR CONSEQUENTIAL DAMAGES IRRESPECTIVE OF WHETHER AJA VIDEO OR THE VENDOR HAS ADVANCE NOTICE OF THE POSSIBILITY OF SUCH DAMAGES.

Introduction

The AJA HD10MD3 is a miniature digital downconverter for converting HD-SDI video to standard definition SDI and analog component composite video. The HD10MD3 uses a full 10-bit data path and a multi-point interpolation to produce excellent quality down-converted video. In addition, the HD10MD3 converts either 23.98/24Hz 1080p23.98sf or 1080p24sf to a 59.94 Hz output video using the standard 3:2 pulldown technique. The output can be formatted for either 4:3 or 16:9 standard definition monitors. For 4:3 monitors, the output can be formatted for either the Letterbox or Crop modes. Four channel AES embedded audio is passed to the SDI output. The HD10MD3 is also dual-rate in that SDI inputs pass to the SDI and analog outputs.

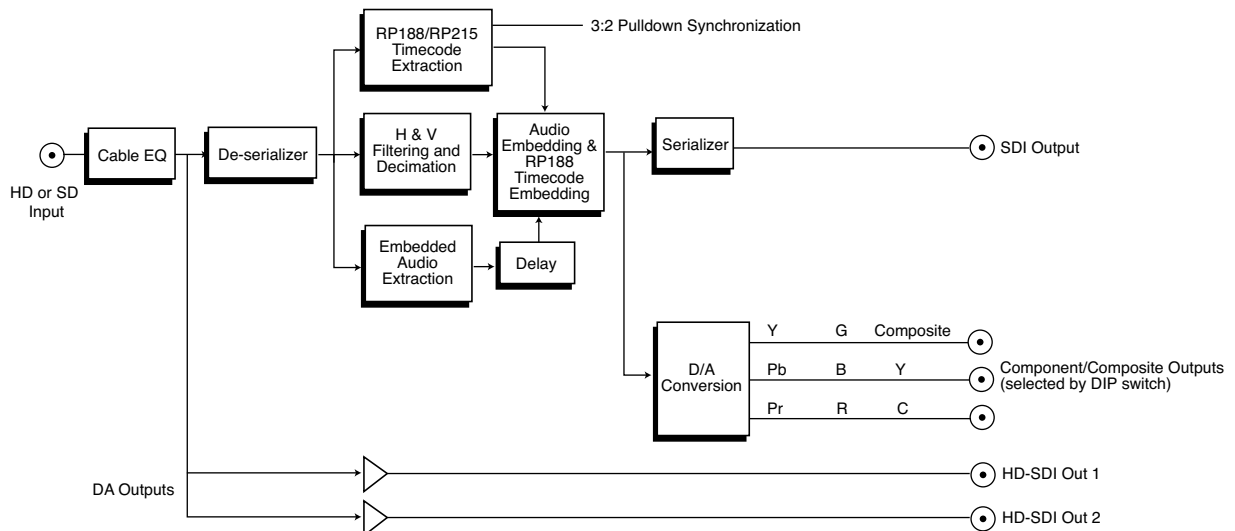
Features

- Broadcast-Quality HD to SD down conversion
- Multi-Standard
- Dual-rate HD-SDI/SDI input
- HD-SDI/SDI outputs
- HD-SDI input: SMPTE 292/296 HD-SDI digital video
- HD-SDI outputs: Equalized and buffered copy of input
- SDI output: SMPTE 259 SDI digital video
- Analog outputs: Component or Composite video (10 bit)
- Input formats: 1080i 50, 59.94, 60 Hz
1080psf: 23.98, 24, 25, 29.97, 30
1080p: 23.9B, 24, 25, 29.97, 30
1035i: 59.94, 60 Hz
720p: 59.94, 60 Hz
- External Dipswitch Configuration
- Power: 5-18V unregulated

Note:

The HD10MD3 automatically switches to PAL anytime the input is 1080i 50, 1080psf 25 or 1080p25. All other frames rates have an NTSC output: 60, 59.94, 30, 29.97, 24 and 23.98.

Block Diagram



HD10MD3 HD to SDI Down Converter, Block Diagram

I/O Connections

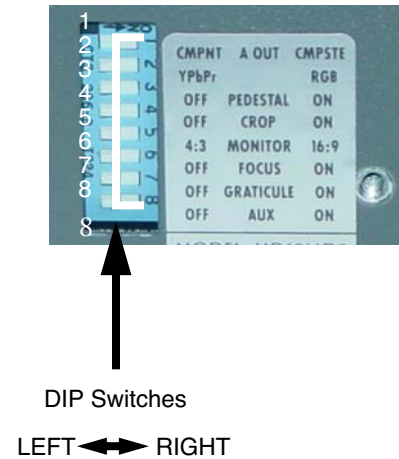


HD10MD3, Side View

User Controls

The user interface for the HD10MD3 is an 8-switch DIP accessible through a cut-out in the bottom of the unit. Use the DIP switches to configure outputs, pedestal, blanking, and enable or disable noise reduction.

The exact function of each DIP switch and what it controls is described on the following pages.



Switch 1—Selects Component or Composite Video on 3 Output BNCs

LEFT	RIGHT
Selects Component output	Selects composite video output

Switch 2—Selects Type of Component Video on 3 Output BNCs

LEFT	RIGHT
Selects YPbPr	Selects RGB

Switch 3—Turns Pedestal OFF/ON. In YPbPr Mode, use BETA Levels

LEFT	RIGHT
Pedestal Off	Pedestal On. This setting also changes analog output to BETA levels when in YPbPr mode

Switch 4—Format Crop Letterbox OFF/ON

LEFT	RIGHT
No crop	Crop On—if S5 switch <i>MONITOR</i> is set to 4:3 position

Switch 5—Selects Monitor Output to 4:3 or 16:9

LEFT	RIGHT
Selects 4:3	Selects 16:9

Switch 6—Turns Focus ON/OFF

LEFT	RIGHT
Turn Focus OFF	Turn Focus ON; zoom to center 720 x 486 image

Switch 7—Turn 4:3 Graticule ON/OFF

LEFT	RIGHT
Turn Graticule OFF	Turn Graticule ON (4:3 safe area)

Note: Switch 8 has no function.

Output Selection Matrix For Output 3 BNCs

The following table shows the combinations of DIP switch settings required to configure the three BNCs below the SDI Output BNC.

Output Format	DIP Switch #1	DIP Switch #2	DIP Switch #3
1 Composite and 1 Y/C (Pedestal)	RIGHT— CMPSTE	N/A	RIGHT
1 Composite and 1 Y/C (no pedestal)	RIGHT— CMPSTE	N/A	LEFT
RGB	LEFT— CMPNT	RIGHT—RGB	LEFT
RGB with pedestal	LEFT— CMPNT	RIGHT—RGB	RIGHT
SMPTE component (BETA625)/ EBU-N10	LEFT— CMPNT	LEFT— YPbPr/	LEFT
BETA 525 component	LEFT— CMPNT	LEFT— YPbPr/	RIGHT

Installation

Typically, HD10MD3 installation consists of the following:

1. disconnect +5VDC from the convertor
2. configure the DIP switch for the desired equipment configuration and video formats
3. connect video equipment to the convertor BNCs
4. apply +5VDC power to the converter (AJA power supply model DWP)

Specifications

Item	Specification
Formats	1080i 50/59.94/60Hz 1080p/psf 23.98/24/25/29.97/30 Hz 720p 23.98/24/25/29.97/30/60Hz (Automatic Configuration)
Inputs	HD-SDI or SDI SMPTE 259/292/296, 10-bit, BNC
Outputs	SDI, SMPTE 259M, 10-bit, BNC YPbPr - SMPTE, EBU-N10, Betacam RGB, NTSC, PAL, YC (S-Video), 10-bit 3 x BNC
Down Conversion	Multi-point interpolation. 10-bit processing. 3:2 conversion for 23.96/24p/psf inputs

Item	Specification
Frequency Response	Y +0, -.5db to 30 MHz C +/- .25db to 15 MHz
User Controls	<i>ExternalDipswitch:</i> Output Video Format 4:3/16:9 MonitorSelect Letterbox/Crop Pedestal (Output) 4:3 Safe-Zone Graticule Overlay
Size	5.8" x 3.1" x 1 (147 x 79 x 25mm)
Power	5-18V, 5 watts. Requires power supply.

