

Technical parameters

Rated voltage / Power	Frequency	Rated pressure	Dimensions/ weight/volume	Waterproof grade	Rated temperature	Pressure of the tap water
220V~/2500W 230V~/2700W	50Hz	0.7MPa	See Fig.1	IPX4	60℃	not less than 0.05MPa

Packing list

Quantity	Components	Electric water heater (Set)	Relief valve / drain hose (Set)	Check valve (Pc)	Instruction manual (Copy)	Pipe fitting (S 1/2 F-M 3/4) (Pc)	3/4" airproof met (Copy)
	Model						
	FCD-JTLD200	1	1	1	1	1	2
	FCD-JTLD245	1	1	1	1	1	2

FAQ

Phenomenon	Please check	Solutions
No water outlet	If the water supply system stops supplying water or the water pressure is too low	Check
	If the water outlet is blocked. If the hot water valve is turned on.	Check and clear
Cold water outlet only	If the water temperature is adjusted properly	Adjust again
	If the thermostat fails	Call the service department
	Heating time is too short	Continue to heat
The amount and temperature of the water delivered are not stable	If the pressure of tap water is stable	Check
Do not heat after the power is turned on (the heating lamp does not illuminate)	If the temperature limiter is activated due to dry heating	Call the service department
The heating indicator lamp stays on	Failed thermostat	Call the service department
Water is coming from the relief valve	Overly high pressure (>0.7MPa) or temperature (>99℃)	Call the service department

Haier Group

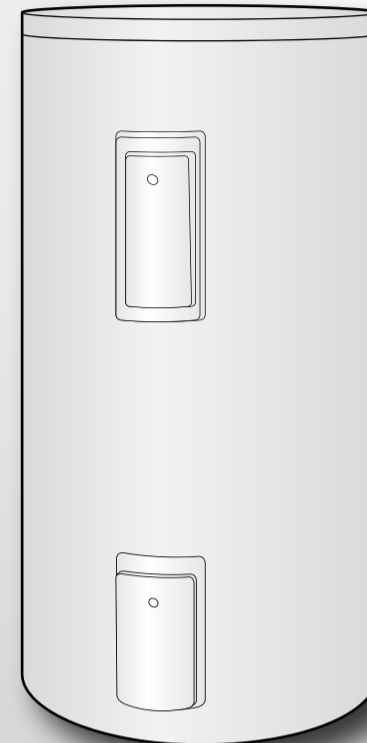
Qingdao Economic and Technological Development District
Haier Water Heater Co., Ltd.
Haier Garden, Qianwangang Road, Economic Development Zone,
Qingdao, P. R. China
Website <http://www.haier.com>

Rev: 01
Specific Number: 0040501317

Haier

Sea-ox King Haier Household Electric Water Heater User's Manual

FCD-JTLD200
FCD-JTLD245



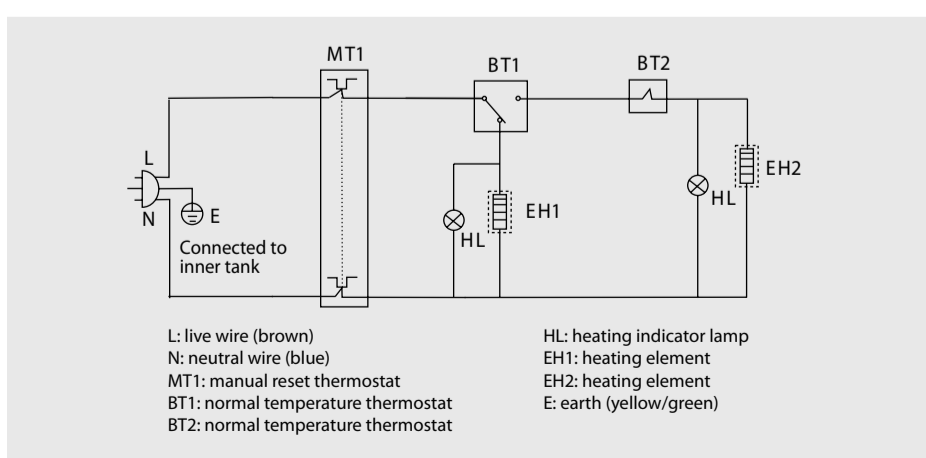
- Please read this manual before usage.
- Retain it for future reference.

See to the physical product for the appearance, color or pattern.

Features

- Safety**
It is safe and reliable thanks to quality stainless steel electrical heating elements with overheating protection and over pressure protection of inner tank.
- Durability**
Specially treated shell. Elegant and durable.
High quality and reliability due to 3-layer inner tank enamel technology employed in inner tank production.
- Fast temperature rise**
Unique separated structure of two heating bars can obtain twice the speed in temperature rise compared to ordinary water heaters.
- Energy saving**
It is highly efficient and energy saving due to super thick heat preservation layer.
- Convenient operation**
60℃ fixed temperature heating means it will stop heating automatically when the water temperature reaches 60℃.
- Multiple uses**
Enclosed structure with several outlets can supply hot water to several places like the washroom, kitchen etc (the hot water from it is not drinkable).
It is suitable for residential houses, enterprises, and service trades like beauty parlors or hairdressers for supplying hot water.
- Floorstanding design facilitates installation.**
The water heater you bought is the improved model of the series product. Please use it according to the User's Manual.

Electric circuit diagram



Safety precautions

Description of the symbols

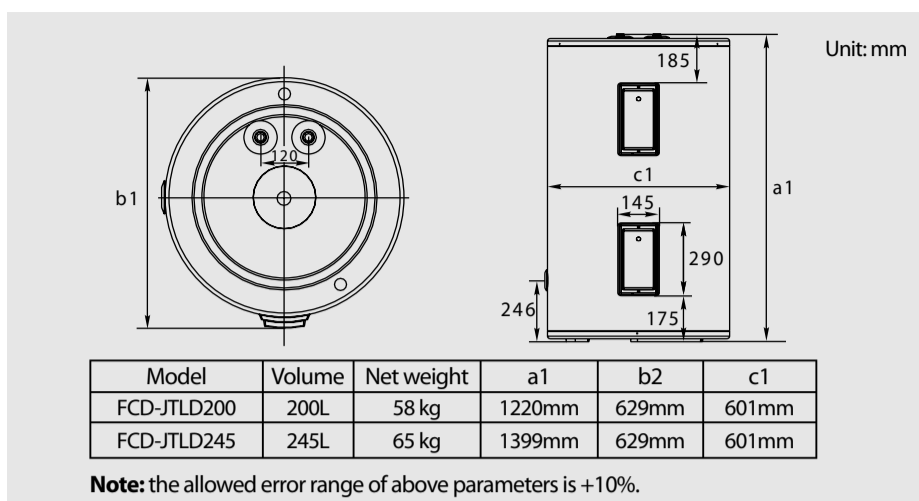
- ⊘ This symbol indicates actions you shall never do! Neglecting these instructions may cause personal injury or even death.
 - ⓘ This symbol indicates instructions you must observe! Neglecting these instructions may cause personal injury or damage to your house or property.
- Check if the ammeter and wire diameter are in accordance with the rated current of the water heater. Please have them checked by an experienced electrician if necessary.
 - The product is only available for alternating current.
Be sure to use a separate socket (never use a multifunctional socket) which is reliably grounded and complies with national standards. Dirt on the metal pins of the power plug shall be wiped off regularly to avoid fire or other accidents.
 - To prevent being burned, please do not face the shower nozzle towards your body while turning the water valve.
 - If the power cord of the water heater is damaged, be sure to have it replaced by an after-sales service technician with a special cord (offered by the manufacturer).
 - Set the power socket of the water heater in a dry position away from water. Never insert or pull the power plug with wet hands to avoid electric shock, injury or other accidents.
 - Before initial use after installation, please first fully fill water and then switch on the power. If it is powered when the tank is not full of water, this may cause overheating of the heating element. Children must use under the supervision of an adult.
 - During winter in cold areas, if the heater is not used for a long period, please unscrew the blow down nut to drain the water to avoid damage caused by icing. Please remember to fill it with water before turning on the power when it is used again. The hot water tube may be relatively long due to the installation location of the water heater. Please drain the cold water before use each time to avoid getting cold water.
 - Do not use electrical products with damaged power cords or loose power sockets and plugs. Otherwise electric shock, short circuit, fire or other accidents may occur. Please make sure the plug fits tightly with the socket.

Setting environment

- ⊘ Do not install it outdoor.
- Do not install it in a place without drainage.
- Do not place it in a cold environment where it tends to freeze. The tank and the tubes may break if water in it freezes. This may cause leakage and scalding.
- ⓘ If drain hose is connected, please connect it to the inlet of the sewer to avoid polluting by splashing.

Dimension diagram

(Fig 1)



Precautions during installation

- Make sure the inlet pressure of the tap water is not less than 0.05MPa.
- The electrical water heater shall be installed indoors where the ambient temperature is over 0°C. The pipelines shall be arranged centralized. The location of hot water usage should not be too far away from the water heater. If the distance is more than 8 meters, the pipe shall be wrapped with a heat preservation layer to reduce heat loss.
- In selecting the installation location of the water heater, convenient usage and repairing should be considered. Besides, it must be installed in a place with a sewer so that it will not cause damage to facilities nearby or downstairs when the water tank and/or pipes leak.
- Do not confuse the water inlet pipe and outlet pipe. The relief valve shall be installed in the specified location. No change is allowed. Its pressure relief hole must be kept unblocked.
- To ensure safety, please use a separate socket (never use a multifunctional socket) which is reliably grounded and complies with national standard. Check with an electroprobe to ensure that the live wire and the neutral wire are not connected backwards. Do not turn on the power before ensuring that it is fully filled with water, that there is no leakage from any joints, and that the power supply meets the requirements.

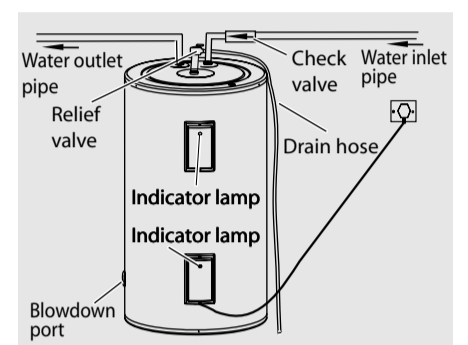
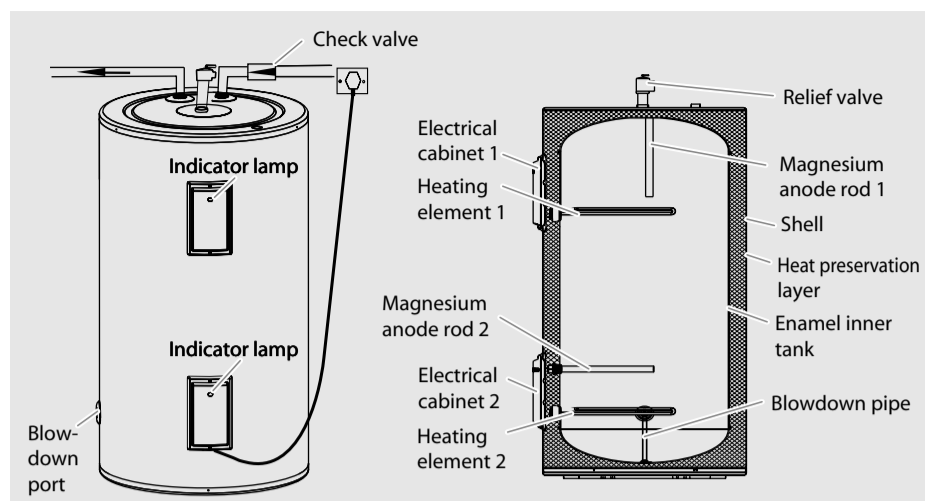
3

Installation methods

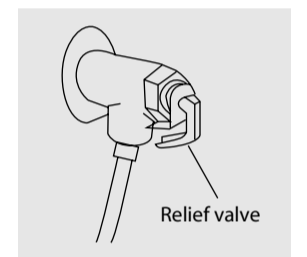
- Be sure to have it installed by the installation staff from the after-sales service center of the manufacturer or a center authorized by them. It adopts floorstanding installation.
- Locate the water heater and install all the pipes with a tap water tube (PP-R pipe is recommended) according to the dimension diagram and the user's requirements. Mount the relief valve and other accessories according to figure 2. Remember to use Teflon seal tape to avoid leakage.
- To facilitate installation and dismantling of the water heater, it is recommended to fit a G1/2" flexible nut at the suitable location on the water inlet pipe and outlet pipe separately. Confirm the positions needing water supply and connect the water inlet pipe, outlet pipes and tap water pipes to the locations separately.
- When installing the water heater, please reserve certain space to facilitate future maintenance and repair. Fig. 2 is only a reference installation schematic of pipelines. In specific installations, the actual situation of the user should be considered.
- Connection and use of the check valve:
Connect the check valve with G1/2" connection screw according to the arrow on it.
- Mount the relief valve on the water heater with position as shown in Fig. 2. Fit the double nipple in the relief hole of the relief valve and then screw one end of the drain hose onto the double nipple (as shown in Fig. 3). When the water heater is powered on, a small amount of water may drip out of the drain hose. This is a normal phenomenon caused by expansion of water inside the water heater. The relief hole must be kept unblocked.
- The drain hose can be cut short or extended as necessary. Connect the other end of the drain hose to the sewage drain to avoid polluting by splashing. The drain hose connecting the relief valve should be installed in a continuous downward direction and in a frost-free environment.
- Be sure to check and confirm that the tank is fully filled with water, that there is no leakage from any joints, and that the power supply complies with the requirements before switching on the power.

4

Appearance and components



(Fig 2) For reference only



(Fig 3)

Precautions during use

- 1 To avoid damage, never turn on the power before the inner tank is fully filled with water.
- 2 To avoid scalding, adjust the water temperature to an appropriate degree before use. Water over 50°C can result in scalding.
- 3 The relief valve should be checked once every two weeks during use. The method: turn the small handle of the relief valve. It is normal if there is water flowing from it. If not, please contact local after-sales service center.
- 4 The product is a water heater of enclosed type. It can supply hot water to several locations such as bathroom (bathtub, hand wash basin, shower nozzle) and kitchen.
- 5 If the water heater is not to be used for an extended period or if it is to be repaired, please turn off the inlet valve and turn on the relief valve to relieve pressure. Then, open the water outlet and blowdown port to drain the water in the inner tank. Before reusing, to avoid injury or accidents, it is recommended to turn on the hot water valve before turning on the power of the water heater. In this way you can discharge air in the pipeline. At this time, please do not smoke or light other open flames near the open valve. Meanwhile, carefully check that all the components of the water heater are in good condition. It can be put into use after all of these are confirmed. Note: the other end of the drain hose may not be higher than the pressure relief hole of the relief valve. The drain hose should be inserted into the floor drain or other places to facilitate draining.
- 6 Please ask a service person to conduct safety examinations regularly. Remove the scale on the heating element in time. Check the consumption of the magnesium anode rod and replace it in a timely manner if it is too seriously worn.

Using method

- In initial use after installation, it must be fully filled with water before turning on the power.
- In first use, as the inner tank is empty, you must turn on the tap and one of the water outlets. Wait until water comes out continuously from water outlets (it indicates the tank is full) and then turn off the water outlet.
- Check all the joints for leakage. After that, plug in the power cord
- After the power is turned on, the upper indicator lamp illuminates and the upper heating element starts heating. When the temperature of the hot water in the water heater reaches 60°C, the upper indicator lamp goes out, the lower indicator lamp illuminates and the lower heating element starts heating. The water heater continues to work. When the lower indication lamp goes out, the water heater stops working and the whole water heater reaches the rated temperature 60°C.
- The rated temperature of the water heater is 60°C. The indicator lamps will illuminate in heating state. When it reaches the rated temperature, the power will be turned off and the indicator lamps will go out.
- Large amount of water will come out from the drain hose of the relief valve if the pressure of the tap water is higher than 0.7MPa. This is caused by overly high water pressure. Please call the after-sales service center. Water or vapor will come from the drain hose of the relief valve if the temperature of water inside the inner tank exceeds 99.3°C. It is reducing temperature by relieving pressure as the temperature is too high. Please call the after-sales service center in this case. Please keep away from the drain hose during use to avoid scalding.

5

Cleaning and maintenance

Note: Please deal with simple issues by referring to the attached "FAQ" before calling a service person.

Statement: Maintenance or repair work can only be performed by qualified service persons. Improper methods may cause serious accidents or property damage. Make sure to unplug the water heater before you intend to open the water heater or repair it.

- To clean the outside: Disconnect the power supply before cleaning the water heater. Wipe it lightly with a piece of wet cloth dipped in a little neutral detergent other than gasoline or other solutions. Then, wipe it with a piece of dry cloth and keep the shell dry. Do not clean it with detergent containing abrasives (e.g. toothpaste), acid, chemical solvents (e.g. alcohol) or polish.
- To clean the inside: To keep the water heater working efficiently, the heating elements and the inner tank should be cleaned once every three years. Take care not to damage the protection coating outside the heating element and inside the inner tank. The magnesium anode rod should be replaced periodically according to local water quality and the using habits.
- To clean the inner tank: Blowdown procedure: disconnect the power supply, turn off the inlet valve and turn on the relief valve to relieve pressure. When no water comes from it, turn off all the water outlet valves. Remove the drain hose of the relief valve together with the double nipple. Then, unscrew the blowdown nut. Connect the drain hose with double nipple on the blowdown port (put the other end of the drain hose in the sewer inlet). Turn on any one of the water outlets to conduct blowdown. Clean water coming out of the drain hose indicates the dirt in the inner tank has been totally discharged. Install all the components in their original places. Note: the water inlet valve should be turned on several times to rinse the dirt at the bottom of the inner tank during blowdown.

Special hints

- Be sure to disconnect the power supply before performing any maintenance or repair work on it. Only professionals should be allowed to adjust or repair the water.
- Make sure the water heater is fully filled with water before turning on the power. Otherwise malfunction of the heating element may occur. Please make sure the power socket complies with applicable national standards and is reliably grounded. Never use the water heater without reliable earthing.
- The water heater is fitted with a relief valve. To ensure safety, please do not change its installation location and never block its outlet.
- When the ambient temperature is under 0°C, the piping may be damaged due to freezing of water in it and cause the water heater to malfunction. So you shall drain the water in the tank to avoid freezing. If the water heater is not to be used for a period of over 1 month, please unplug the power cord and drain the water tank.
- If the electrical water heater is seriously soaked with water, it must be examined and repaired by a technician authorized by the manufacturer before it is put into use again.
- Scale can be formed in the water tank after long periods of use. Besides, water quality may change due to ageing of the water pipe. After you wash rice or vegetables with water from the water heater, please rinse them with clean tap water.
- Do not place flammables such as gasoline near the water heater to avoid fire or other accidents.

6