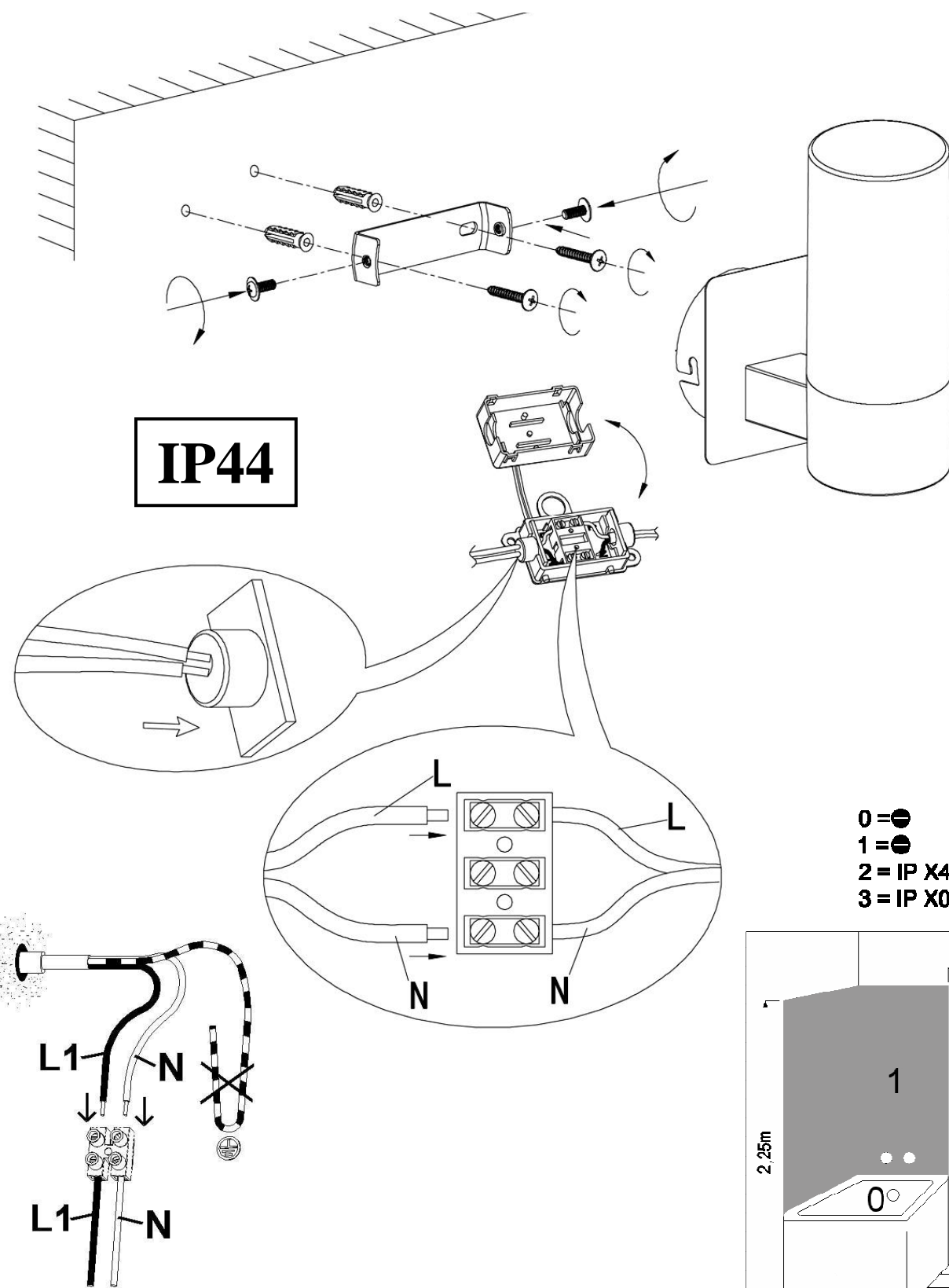
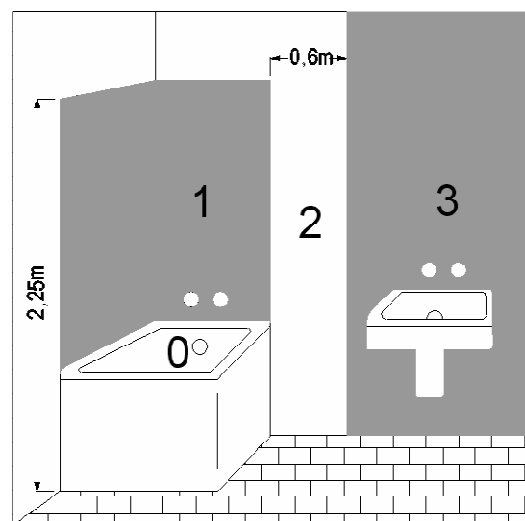


# MAL 2227-018

GB Mounting instruktionenes



- 0 = ●
- 1 = ●
- 2 = IP X4 - IP X8
- 3 = IP X0 - IP X8



## ⚠ Safety directions / Please read this information carefully before installing or using this product. Please keep this user manual for further reference.

1. The lamps may only be installed by authorized and qualified technicians according to the valid regulations for electrical installation.
2. The manufacturer does not accept any responsibility for injuries or damage resulting from improper use of the light.
3. Maintenance of the lights is limited to the surfaces. When doing this, no moisture must come into contact with any areas of the terminal connections or mains voltage control parts.
4. Attention! Before starting the installation work, make sure that the mains power line is voltage-free – turn off safety cutout or unscrew the protection fuse. The switch must be “OFF”.
5. The lights have a protection class rating of “IP44” and are solely intended for use in interior areas of private households.
6. The symbol of the crossed-out garbage can on the product or the packaging means that the product must not be disposed with ordinary household waste. At the end of its useful life, the product must be returned to a point of acceptance for the recycling of electric and electronic device. Please ask your local municipality for the point of acceptance.
7. Safety class II . This light is specially insulated and must not be connected to an earthed conductor.
8. Description of the supply terminals: L = Phase N = Neutral conductor
9. Only the included individual parts may be used; otherwise any and all guarantee claims will expire.
10. Protective covers and end covers for mains voltage control parts must always be mounted.
11. All included individual parts and attachments must be mounted.
12. Please make sure that no cables get damaged during the installation work.
13. Attention! During operation, lamp parts and illuminants can reach temperatures of more than 70°C. Do not touch during operation!
14. Do not look directly into the light source (illuminant, LED, etc.).
15. The illuminant can not be replaced.
16. This lamp is not suitable for dimmers and electronic switches.
17. Connecting this lamp to an external motion detector can lead to failures of the energy-saving illuminant and/or the motion detector.
18. LED colour deviation when using different chargers may occur. The light colour and luminous strength of the LED's can also change as a result of battery life span level.