

User Manual: Heater Model 1C750W2

General

Your Eco Heat heater has been designed using the latest in technology. With normal care and maintenance, your heater will provide years of satisfactory performance.

This heater has been designed for use on 230V circuits. Do not use it in areas where a standard voltage of 230V is not provided.

If, after reviewing this guide, you require additional information or assistance please contact Eco Heat Equipment at:

www.ecoheat.co.za, or
info@ecoheat.co.za

Technical Specifications

Power consumption: Two 750W elements, 1.5kW total

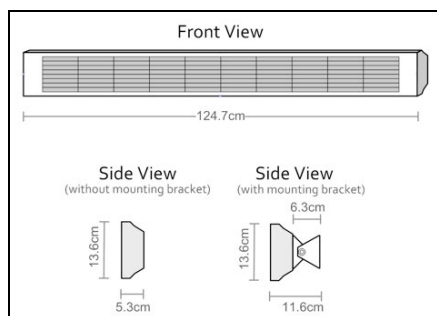
Dimensions: 124.7cm(L) x 5.3cm* (W) x 13.6cm(H) (* excludes mounting bracket)

Heat coverage area: +- 37m²

Energy Use per m²: +-40W

Weight: approx. 3.5kg

Minimum cord length: 1m



Features

Comfortable Heat

- Instant sun-like warmth with radiant infrared heat
- Gentle, comfortable heat in nearly any condition
- Focused heat: projects a ray of heat over a defined area

Energy Efficient

- Only heats objects that absorb the infrared heat, not the air
- Emitters function at a relatively low temperature, consuming less energy

Versatile

- Heat can be projected over long distances
- Can heat open un-insulated areas
- Not affected by wind, drafts, or air movement
- Great for indoor use because of low operating temperature
- "Black Body" emitter doesn't glow or shine

Safe

- Safer than conventional space heaters because of low operating temperature

Ease of Use

- Maintenance free
- Easy installation
- Long element life
- Plugs into a normal 15A wall socket outlet (on earth leakage)

Health Benefits

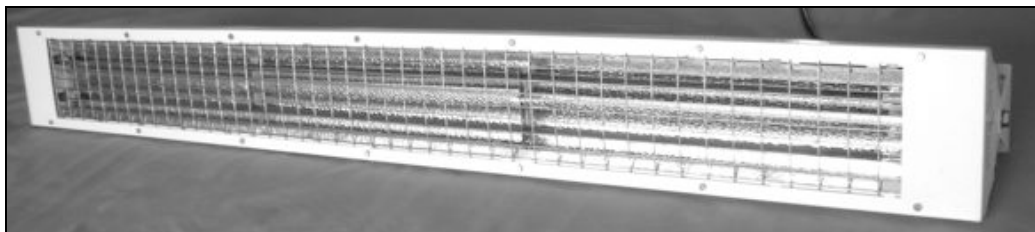
- Doesn't dry out air like conventional heaters
- Burns no oxygen, no resulting drowsiness
- Doesn't produce any gasses or pollutants
- Doesn't generate intense convection currents

Mounting/Installation

The wall mounting structure and the anchoring provisions must be of sufficient strength to support the weight of the heater, elements and all accessories.

When installing infrared heaters, a minimum unobstructed distance (minimum clearance) of 200mm must be maintained between the heater and any object that may affect the operation or safety of the heater.

Mount/place the heater where it is out of reach of small children.



Electrical Installation

All wiring must be done in accordance with National and Local Electrical Codes and Standards.

The heater operates from a normal 15A 3 pin socket outlet on earth leakage on a 230V system, or connects directly on a 230V system with earth leakage.

Operation

The heater will automatically start working once it has been connected to the correct 230V power source.

Radiant heat will be felt in front of the reflector after 30 seconds, and continue to increase in intensity for 3-4 minutes.

Safety

Any use not recommended by the manufacturer may cause fire, electrical shock or injury to persons.

- This heater is hot when in use, to avoid burns, do not let bare skin touch it.
- Keep combustible materials such as furniture, pillows, bedding, clothes and curtains at least 1m away from the heater.
- Do not cover or hang anything over the heater as it may combust.
- Fire risk exists if heater is covered or positioned incorrectly.
- Never leave the heater unattended while in use.
- Always turn the heater off when it is not in use.
- Avoid using an extension cord as this may overheat and cause a risk of a fire. If an extension cord must be used, make sure it is rated for 10A.
- To move the heater, switch heater off and let it cool for at least 15 minutes.
- Never locate the heater where it might fall into a bathtub or other water container.
- If the heater is to be used in a bathroom, the heater is to be installed so that switches and other controls cannot be touched by a person in the bath or shower.
- Do not insert foreign objects past the heaters grid. The elements are extremely hot and the risk of electrical shock under fault conditions exists.
- Do not use the heater in rooms with explosive gas (e.g. petrol) or while using flammable substances.
- Keep the mains cord at a safe distance from the main body of the heater.
- Do not run the cord of the heater under carpeting. Do not cover the cord with throw rugs, runners or other floor coverings. Arrange the cord away from traffic areas where it will not be tripped over.
- This appliance is not intended for use by persons (including children) with reduced physical, sensory or mental capabilities, or lack of experience and knowledge, unless they have been given supervision or instruction concerning use of the appliance by a person responsible for their safety.
- If the supply cord is damaged, it must be replaced by the manufacturer, its service agent or similarly qualified persons in order to avoid a hazard.

Infrared Radiation

The heater uses safe infrared radiation to heat objects. Do not stare into the heater for prolonged periods at a short distance as this may cause damage to the eyes.

Maintenance

The heater contains no user serviceable parts. The elements should last in excess of 10 000 hours.

If the heater has not been in use for a while, ensure it is disconnected from the power source. Dust the elements with a soft duster to remove excess dust. This should prevent odors after first use.

Cleaning

Clean the outside of the heater only when it is disconnected from the power source and cool. If it has been in operation, switch off and wait for at least 15 minutes.

Carefully wipe the exterior of the heater with a soft damp cloth and dry thoroughly with a dry cloth. Do not use harsh or abrasive cleaners to clean your heater, as these will damage the surface.

Do not let the inside of the heater get wet as this may cause a risk of electrical shock.

Recycling

Please recycle all packaging material that came with the heater.

If you are replacing an old heater, please go to www.ewasa.org for information on responsible recycling.

Guarantee

The heater has a one year guarantee after the date of the original purchase. Please keep your original receipt as this will be required for any claims under this guarantee.

The guarantee covers workmanship, materials and is limited to the purchase price of the heater.

The guarantee does not cover:

- damage from misuse,
- neglect or abuse,
- products that have been modified in any way,
- shipping and handling cost associated with the replacement of the product.

Trouble shooting

If the heater is plugged into a live 230V power source and no heat is felt after 3-4 minutes the heater may be faulty.

Try ONE of the following:

- Ensure the power source is working.
- Unplug the heater and have a certified electrician test the electrical circuitry. If the circuitry is in working order, the elements might need replacement.

Contact Eco Heat Equipment for a replacement element.

Replacement parts

Replacement elements can be ordered at www.ecoheat.co.za



Due to minor improvements in design or otherwise, the product you buy may differ from the one shown in this leaflet. For more information or advice on this or any other Eco Heat Equipment products, visit www.ecoheat.co.za.