

USER MANUAL

AVG-TSM1U Desktop Interface Popup - Fixed Connectors

All Rights Reserved
Version: TSM1U_2015V1.0

Features

- Rugged Brushed Aluminium Chassis
- 45 degree Pivot Angle
- Low Profile ergonomic cover when closed
- Gas Strut
- Push Latching Mechanism
- High Quality Industry Standard Connectors



The AVG-TSM1U series is a high-quality anodized brushed aluminium table mount interface box. It utilizes fixed connectors providing 2 x RJ45 sockets, HDMI, VGA + 3,5mm and a Universal Power socket.

**PLEASE READ THIS PRODUCT MANUAL CAREFULLY
BEFORE USING THIS PRODUCT.**

This manual is only for operation instruction only, and is not to be used in a maintenance capacity. The functions described in this version are current as at March 2015. Any changes of functions and operational parameters will be updated in future manual versions. Please refer to your dealer for the latest product details.

Version 1.0 1/3/15

SAFETY OPERATION GUIDE



In order to guarantee the reliable operation of the equipment and safety of the user, please abide by the following procedures in installation, use and maintenance:

1. The system must be earthed properly. Please do not use two blade plugs and ensure the AC power supply ranges from 100v to 240v and from 50Hz to 60Hz.
2. Do not install the device in an environment where it will be exposed to extreme hot or cold temperatures.
3. This unit will generate heat during operation, please ensure that you allow adequate ventilation to ensure reliable operation.
4. Please disconnect the unit from mains power if it will be left unused for a long period of time.
5. Please DO NOT try to open the casing of the equipment, DO NOT attempt to repair the unit. Opening the unit will void the warranty. There are high voltage components inside the unit and attempting to repair the unit could result in serious injury.
6. Do not allow the unit to come into contact with any liquid as that could result in personal injury and product failure.

TABLE OF CONTENTS

Introduction	1
Introduction to the AVG-TSM1U	1.1
Features	1.2
Whats in the Box	2
System Connection	3
System Applications	3.1
Usage Precautions	3.2
Connection Diagram	3.3
Installation	4
Specification	5

1. Introduction

1.1. Introduction to the AVG-TSM1U

The AVG-TSM1U Desktop Interface is a high-quality anodized brushed aluminium table mount interface box. The attractive enclosure can be into a table top or other flat surface maintaining a low profile.

To access the connectors, users press down on the top of the enclosure. Pressing down releases a mechanical latch and the hideaway TSM1U slowly pivots into view, presenting the connectors at an ergonomic 45-degree angle to the tabletop. When closing, all the connectors will be covered, ensuring a neat and clean appearance

It utilizes fixed connectors providing 2 x RJ45 sockets, HDMI, VGA + 3,5mm and a Universal Power socket.

1.2. Features

- Rugged Brushed Aluminium Chassis
- 45 degree Pivot Angle
- Low Profile ergonomic cover when closed
- Gas Strut
- Push Latching Mechanism
- High Quality Industry Standard Connectors

2. Package List

- 1 x AVG-TSM1U
- User Manual

Note: Please confirm if the product and the accessories are all included, if not, please contact your dealer.

3. System Connection

3.1 System Applications

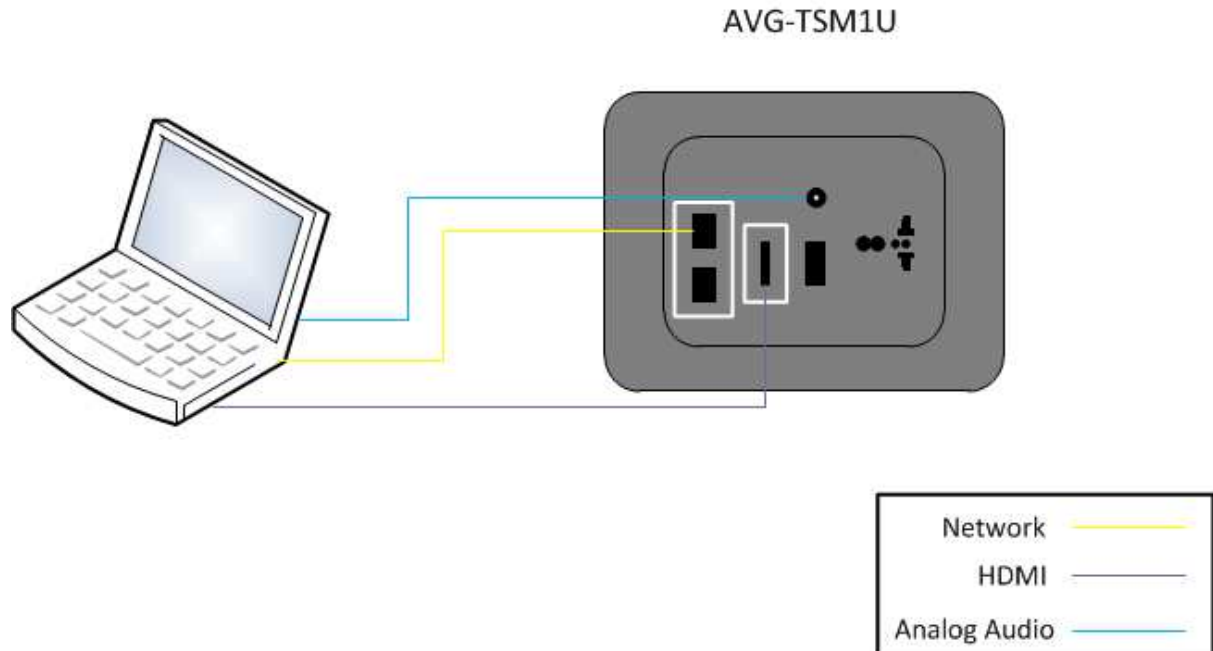
The AVG-TSM1U is ideal in applications where cabling needs to be both easily and neatly stored away as well as provide standard industry connectivity for Boardroom, Presentation and Teaching applications.

3.2. Usage Precautions

1. System should be installed in a clean environment with temperature and humidity maintained to within equipment specification.
2. All of the power switches, plugs, sockets and power cords should be insulated and safe.
3. All devices should be connected before power is turned on.

3.3. Connection Diagram

The figure below illustrates a typical connection that can be utilized with the AVG-TSM1U.



4. Installation

1. Cut a hole in the table surface using provided template.
2. Insert the Unit into cutout and adjust position ready for fastening.
3. Secure the Unit with Locking Butterfly Clamps provided.
4. Connect cables to allocated modules and secure.

5. Specifications

Input			
Input Connector		2 RJ45 Socket, 1 HDMI, 1 VGA + 3.5mm, Universal Power Socket	
Output			
Output Connector		1 Audio – 3 pin phoenix, 1 VGA D Sub Female 15 pin, 2 RJ45 Keystone socket, 1 HDMI socket, AU IEC Socket	
General			
Power Rating	240V Mains Rated Cable		
Overall Dimensions	157x131x190mm(W*H*D)	Cutout	144x119x190mm(W*H*D) Depth includes room for IEC plug