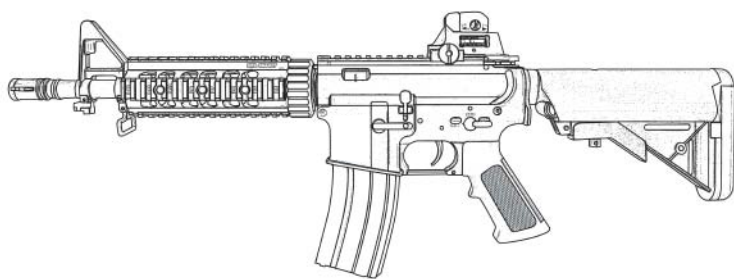


KWA[®]

OPERATOR'S MANUAL



KM4 SR7

USE OF THIS MANUAL

Before operating the Airsoft gun, read this manual in its entirety. Important safety topics and tips are discussed throughout all of the chapters. It's important that the operator knows the principles of gun handling safety and operation prior to firing the Airsoft gun.

SAFETY GUIDELINES



WARNING! Failure to follow safety guidelines may result in serious injury.

Safety Distance

The effective shooting range is approximately 75 feet. BBs fired from this Airsoft gun may travel further than intended. Make certain that you have an adequate backstop.

Eye Protection

Eye protection should be worn at all times when both shooting and maintaining your Airsoft gun. Protect your eyes from BBs under pressure while performing maintenance on your Airsoft gun.

Assume Every Gun is Always Loaded

Until you are certain the chamber is empty, treat every gun as if it were loaded. Do not assume the chamber is empty based on your memory or someone else's words. Always remove the magazine and visually check to confirm the chamber is empty.

Beware of Barrel Obstructions

Ensure the Airsoft gun barrel is free of obstructions before you fire the gun. Even the smallest obstruction such as dirt, dust or a stuck cleaning patch can cause a jam, misfire or malfunction.

Muzzle Control

Always keep the muzzle of the gun pointed in a safe direction. Never point the muzzle at a person or object that you do not intend to shoot.

Keep Your Safety On

Keep the gun's safety on until your sights are aligned on your target and you are ready to fire.

Keep Your Finger Off The Trigger

Keep your finger off the trigger and out of the trigger guard until your sights are aligned on your target and you are ready to fire.



WARNING! Airsoft BBs can be a choking hazard. Keep them away from children.

SAFETY GUIDELINES

Identify Your Target and Backstop

Before you pull the trigger, make certain of your target and what is beyond it. The Airsoft gun should never be fired at surfaces such as rocks, glass, water, or other hard surfaces where BBs are likely to ricochet in unpredictable directions.



WARNING! Adult supervision is required for any person under the age of 18.

Failure To Fire

If the Airsoft gun fails to fire, misfires, or malfunctions, do not look into the gun barrel. BBs can become lodged into the chamber, and serious eye injury may occur.

Maintain Your Gun Properly

Performing proper maintenance, as outlined in this manual, ensures that your Airsoft gun will be safe

to shoot and will perform to its designed specifications for many years. Alterations, modifications or adjustments may damage your Airsoft gun, make it unsafe to shoot, and will void all warranty claims.

Store Your Gun Safely

Always store the Airsoft gun in a safe place, and out of the reach of children. Always transport the Airsoft gun in a carrying case. Never display the Airsoft gun in a public place. Keep the safety engaged, and remove the magazine before storing the Airsoft gun.

NOTE: IT IS YOUR RESPONSIBILITY TO TAKE EVERY REASONABLE PRECAUTION TO ENSURE THE SAFE STORAGE AND TRANSPORTATION OF YOUR AIRSOFT GUN.

Orange Tip

The orange tip on Airsoft guns helps Law Enforcement distinguish between the replica guns from their real firearm counterparts. Altering the coloration or markings required by state or Federal law so as to make the product look more like a firearm is dangerous and may be a crime. Operator assumes all risks and responsibility when doing so.

Hazards of Being Mistaken for a Real Firearm

Airsoft guns have been mistaken by Police and Law Enforcement as real firearms. A confrontation with law enforcement while carrying an Airsoft gun can result in serious injury or even death. It is strongly advised to operate the Airsoft gun at a safe and legal location. In the event that you are approached by Law Enforcement personnel, you must comply with their instructions immediately to avoid an incident.

Alcohol, Medications and Drugs

Do not handle or operate your Airsoft gun while under the influence of alcohol, medication or drugs.

Your Responsibility

Your Airsoft gun is well-engineered and manufactured to the highest standards. It was carefully inspected before it was packaged and shipped from our factory. Its safe use depends on you alone. You are the ultimate safety device. Like many other devices, your Airsoft gun is safe unless handled in an irresponsible or uneducated manner.

WARRANTY AND SERVICE

KWA Performance Industries, Inc. is committed to serve our customers with the finest quality products, the highest level of service, and customer satisfaction. Because of this, we offer a 45-day warranty on all KWA products we import and distribute.

What is Covered

Except as specified below, this warranty covers all defects in material and workmanship in KWA products occurring during the above warranty periods. The following are not covered by the warranty: (1) Any product which is not imported and distributed in the U.S.A. by KWA PERFORMANCE INDUSTRIES, INC. (2) Any products not purchased in the U.S.A. from an KWA AUTHORIZED RESELLER (Note: KWA AUTHORIZED RESELLER can be identified by KWA AUTHORIZED RESELLER sticker displayed in the store. If you are uncertain as to whether a dealer is a KWA AUTHORIZED RESELLER, please contact KWA PERFORMANCE INDUSTRIES, INC. as listed above). (3) Damaged deterioration or malfunction resulting from: a) Accident, act of nature, abuse, misuse, neglect, unauthorized product repair, opening of or modification or failure to follow instructions supplied with the product. b) Repair or attempted repair by anyone not authorized by KWA PERFORMANCE INDUSTRIES, INC. c) Removal of the orange safety tip. (4) Use of the product outside the U.S.A. (5) Damaged batteries or improper use of bullets (BBs), or non approved propellants (ie. Propane, Red Gas, 134a...etc.) (6) Use in industrial, commercial, and/or professional applications.

What KWA Will Pay For

If during the applicable warranty period from the date of the original purchase your KWA product is found to be defective by KWA Performance Industries, Inc., KWA Performance Industries, Inc. will repair, or at its option, replace with new, used, or equivalent model, the defective product without charge for parts or labor.

How To Obtain Warranty Service

If your product needs service, it may be taken or shipped to KWA Performance Industries, Inc. The following procedures apply whenever your unit must be transported for warranty service:

- You must go to Help Desk at www.kwausea.com/support obtain an RMA number. THE RMA NUMBER MUST BE CLEARLY MARKED ON THE OUTSIDE OF THE PACKAGE. PACKAGES WITHOUT AN RMA NUMBER CLEARLY MARKED WILL BE REFUSED AND RETURNED TO THE SENDER.
- You are responsible for transporting your unit or arranging for its transportation.
- If shipment of your unit is required; you must pay the initial shipping fee, but we will pay the return shipping charge if the repairs are covered by the warranty.
- WHEN RETURNING YOUR UNIT FOR WARRANTY SERVICE, A COPY OF THE ORIGINAL SALES RECEIPT MUST BE ATTACHED.
- You must include the following: RMA number, your name, address, daytime telephone number, model and serial number (if applicable) of the product and a description of the problem.

NOTE: THE RMA NUMBER MUST BE CLEARLY MARKED ON THE OUTSIDE OF THE PACKAGE. PACKAGES WITHOUT AN RMA NUMBER CLEARLY MARKED WILL BE REFUSED AND RETURNED TO SENDER. NO EXCEPTIONS.

This Warranty is Only Valid in the United States

If your product does not require service, but you have questions regarding its operation, please contact our Technical Services Department as listed below.

THIS WARRANTY IS EXPRESSLY MADE IN LIEU OF ALL OTHER WARRANTIES, EXPRESSED OR IMPLIED, INCLUDING WITHOUT LIMITATION, WARRANTIES OF MERCHANTABILITY AND FITNESS FOR A PARTICULAR PURPOSE.

OUR LIABILITY IS LIMITED TO THE REPAIR OR REPLACEMENT, AT OUR OPTION, OF ANY DEFECTIVE PRODUCT AND SHALL IN NO EVENT INCLUDE INCIDENTAL OR CONSEQUENTIAL COMMERCIAL OR PROPERTY DAMAGES OF ANY KIND. WE ARE NOT RESPONSIBLE FOR PRODUCTS LOST, STOLEN AND/OR DAMAGED DURING SHIPPING.

SOME STATES DO NOT ALLOW LIMITATIONS ON HOW LONG AND IMPLIED WARRANTY LASTS AND/OR DO NOT ALLOW THE EXCLUSION OF INCIDENTAL OR CONSEQUENTIAL DAMAGES, THE ABOVE LIMITATIONS AND EXCLUSIONS MAY NOT APPLY TO YOU.

This warranty gives you specific legal rights, but you may also have other rights which vary from state to state. This Warranty may not be altered other than in writing signed by an officer of KWA Performance Industries, Inc.

KWA Performance Industries, Inc.
18571 E. Gale Ave.
City of Industry, CA 91748-1339

626-581-1777
www.kwausea.com

SPECIFICATIONS

KM4 SR7

- Overall Length [Retracted] = 71.1 cm (28")
- Overall Length [Extended] = 78.74 cm (31")
- Outer Barrel Length = 283 mm (11.14")
- Inner Barrel Length = 273 mm
- Inner Barrel Diameter = 6.05 mm
- Weight = 2.85 kg (6.28 lbs)
- Barrel thread = 14 mm Negative
- Caliber = 6 mm
- Magazine Capacity = 350 rounds
- Rate of Fire = 20+ RPS
- Velocity = 100~107 MPS (330~350 FPS)
- Energy Output with = 1.14 Joules
- Power Source = 9.6V NiMh, 7.4V or 11.1V 15c Li-Po/Li-Fe

Special Features:

- Full metal alloy receiver
- Adjustable front and rear sight
- Free Float MIL-SPEC-1913 (Picatinny)Rail Adapter System
- Removable rear sight
- 6 position collapsible stock with integrated battery compartment
- Flat top receiver
- Semi and Full Auto
- Adjustable Hop-up

*Individual test results may vary depending on brand of BBs, and chronograph used.



PACKAGE CONTENTS

- 1 KM4 SR7 Airsoft gun
- 2 Allen Wrenches (For cap screw removal)
- 1 Safety Cap
- 1 Sight Adjustment Tool
- 1 Cleaning Rod
- 1 Owners Manual

BREAK-IN PERIOD

Airsoft guns, like many other products require a “break-in” period to ensure the optimal performance. This break-in period allows the spring, piston, gears and other moving parts to be seated and become more consistent in their movements. Every new KM4 Airsoft gun spring is manufactured with more tension than is required, this break-in period will allow the spring to “settle” and operate at the specified FPS range.

The KWA KM4 Airsoft gun’s break-in period will require a minimum of 2000 rounds. During this break-in period, the Airsoft gun will require more cleaning because it will expel excessive grease from the gearbox. After the break-in period, the gun will operate within factory specification. The accuracy of the brass barrel will also improve as you continue to use the gun.

LOADING HIGH CAP MAGAZINE

1. Release the magazine from the Airsoft gun by pressing the magazine release button.
2. Open the magazine top plate and pour Airsoft BBs into the chamber. Close the plate when the chamber is full.
3. Turn the winding wheel on the bottom of the magazine to tighten the spring tension. This will allow the Airsoft BBs to feed through the top of the magazine.
4. Insert the magazine into the Airsoft gun until it clicks into place.

NOTE: Spring tension will unwind as you fire the gun. Continue winding the magazine regularly as necessary to empty the high cap magazine.

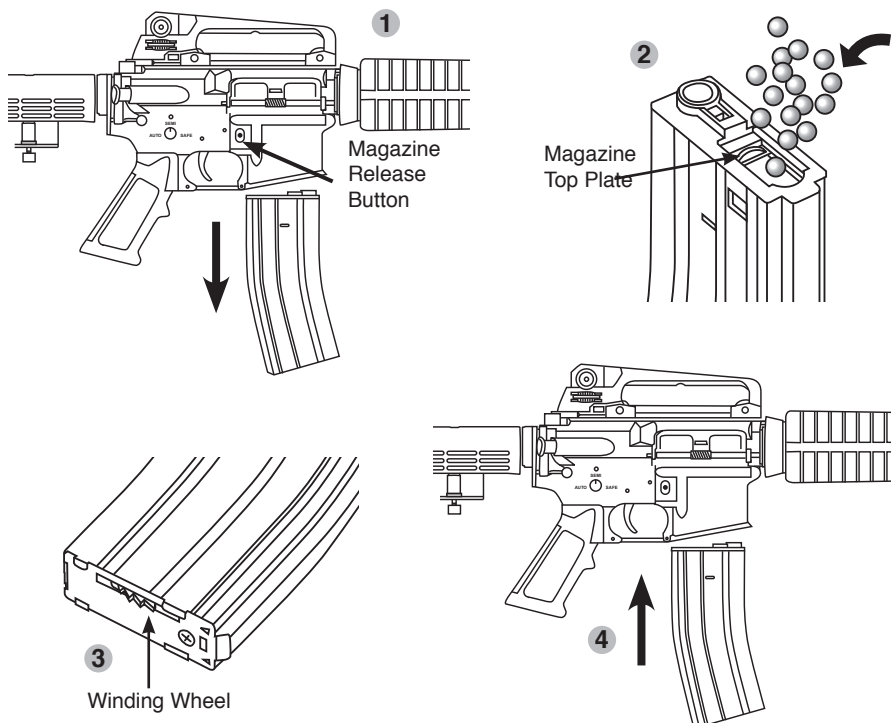
Loading safety tips:

- Switch the selector to safe
- Be sure the safety cap is on
- Keep your finger off the trigger at all times



WARNING: Use only 6mm high grade BBs. Using low grade BBs will damage the Airsoft gun.

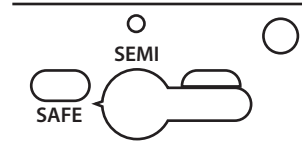
NOTE: Use 0.25g or heavier BBs for better performance.



FIRE SELECTOR SWITCH

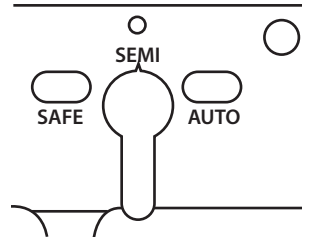
1. Safe

In Safe mode the gun will not fire. For safety, you should keep the switch in Safe mode at all times when you are not ready to fire.



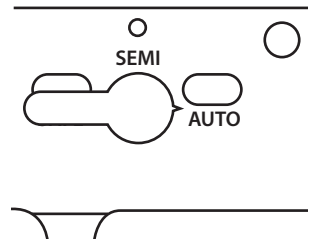
2. Semi-Auto

In Semi-Auto mode the gun will fire one shot for each time you pull the trigger.



3. Full Auto

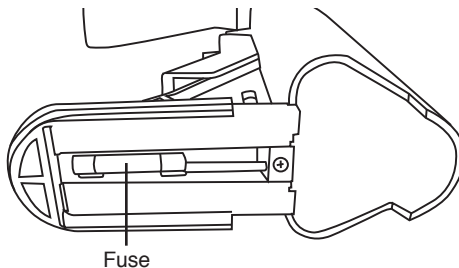
In Full Auto mode the gun will fire continuously as long as the trigger is depressed



WARNING: Do not pull the trigger when switching the fire selector.

FUSE

To replace the fuse, remove the butt stock cover and replace fuse with up to 20A glass fuse.

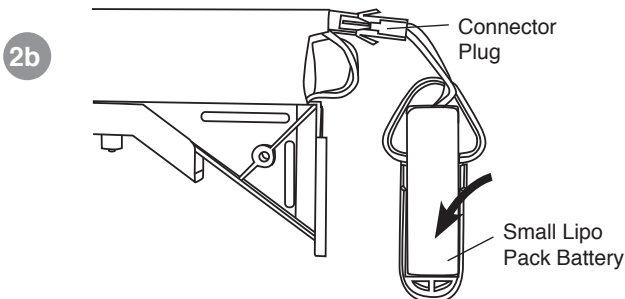
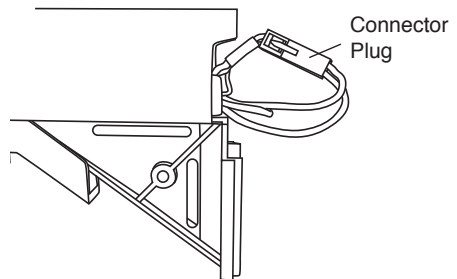
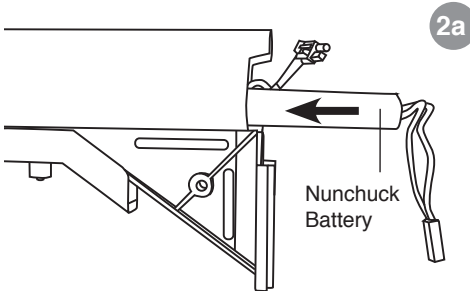
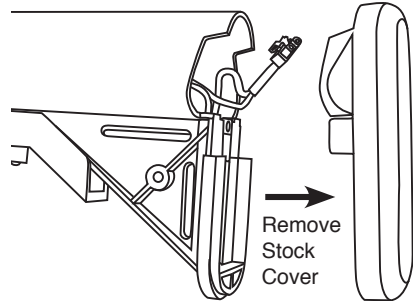
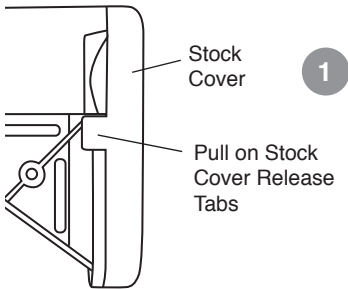


BATTERY INSTALLATION



WARNING: Stock must be fully collapsed before opening the stock cover. Do not remove the stock completely from the gun, doing so will disconnect the terminal inside

1. Set fire selector to safe mode. Slightly pull the stock cover release tabs to remove the cover.
- 2a. Two types of battery can be used, nunchuck battery and small Lipo pack battery. When using a nunchuck battery, place the battery into the stock. Push the connector plugs together firmly until they click into place.
- 2b. When using a small Lipo pack battery, place the battery into the stock cover. Push the connector plugs together firmly until they click into place. *Make sure the small Lipo pack battery size is no larger than 4"H x 1.25"W x 0.62"D
3. Close the butt stock cover.



HOP-UP SYSTEM

The Hop-Up device is one of KWA's standard features, giving Airsoft BBs greater stability, further travel and increased accuracy. Airsoft BBs are light-weight and can be affected by wind when fired. With the Hop-Up system, the trajectory of the Airsoft BBs can be adjusted according to the shooting environment or surroundings.

HOP-UP ADJUSTMENT

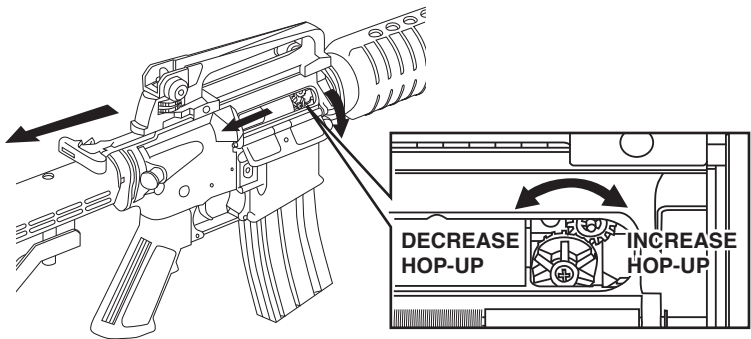
- Pull the charging handle to the rear to open ejection port and reveal Hop-Up adjustment dial. Pull and hold the charging handle to the rear when adjusting Hop-Up.
- Turn the Hop-Up adjustment dial forward to increase hop-up. Turn the Hop-Up adjustment dial backward to decrease hop-up.
- Excessively turning of the Hop-Up adjustment dial forward can cause Airsoft BBs to jam. Continued firing with a jammed barrel will cause damage to the gearbox.
- When jamming occurs, immediately stop shooting and turn the Hop-Up adjustment dial backward to decrease hop. Remove the jammed Airsoft BBs.

Before removing the jammed Airsoft BBs, be sure to return the hop-up adjustment dial to normal position. After removal of Airsoft BBs, test fire 2 – 3 rounds to check for clearance. Resume adjustment. KWA Airsoft guns are made with precision barrel, use only new, quality Airsoft BBs. The use of recycled or low quality Airsoft BBs are the primary cause of jamming. In most cases, it can severely damage the gearbox and inner barrel.

Excessive Hop – Airsoft BB travels an upward trajectory path. Turn the Hop-Up adjustment dial backward to decrease hop-up.

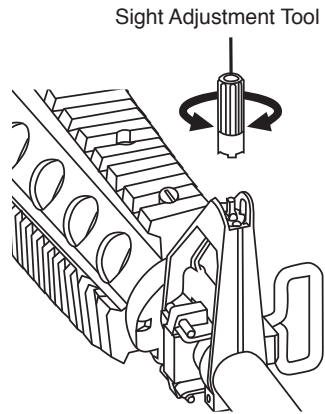
Perfect Hop – Airsoft BB travels long distance horizontally.

Inefficient Hop – Airsoft BB travels a downward trajectory path. Turn the Hop-Up adjustment dial forward to increase hop.



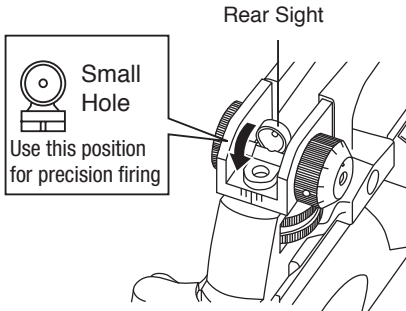
FRONT SIGHT ADJUSTMENT

- The front sight can be moved up and down when zeroing rear sight
- Turn counter clockwise to lower the point of impact
- Stop turning when a click sound is heard

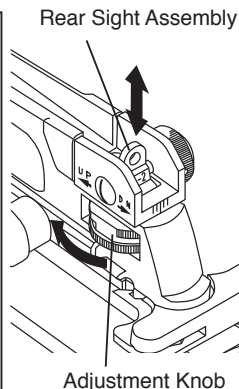
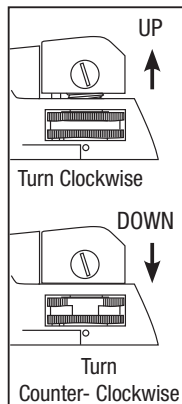
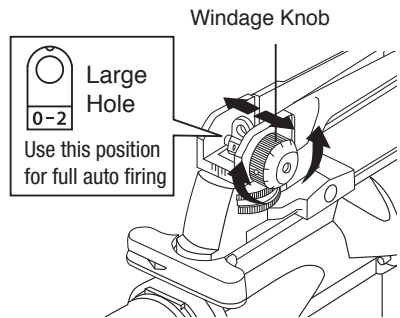


REAR SIGHT ADJUSTMENT

- Flip the rear sight between general and precise aiming
- To adjust the horizontal point of impact, rotate the windage knob located on the rear of the sight
- To adjust the vertical point of impact, rotate the sight elevation knob located on the right side of the sight



The sight assembly is marked in millimeter for precise adjustments



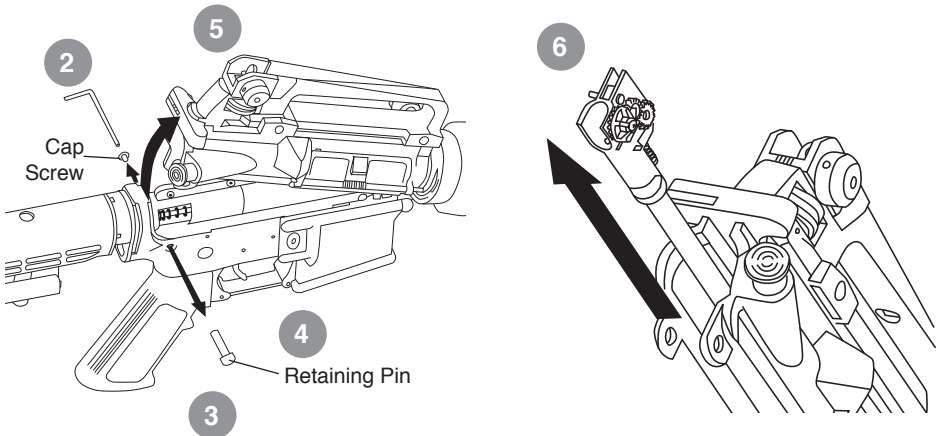
DISASSEMBLY

Note: Before opening the receiver, the piston must be in the forward position.



WARNING: Before removing any parts, be sure the fire selector is set to “safe”. Always place safety cap on the barrel tip when servicing the gun.

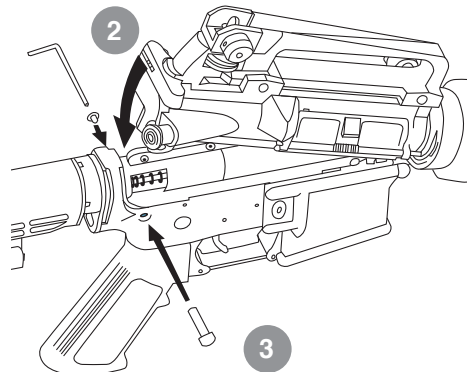
1. Fire in semi-automatic mode 2-3 times to clear the barrel and reset the piston.
2. Remove the Rear Pin only from lower receiver with the provided Allen wrenches.
3. Use one wrench to hold the cap screw and one to turn the set pin.
4. After removal of the cap screw, use the allen wrench to push the pin out.
5. Pull the Upper receiver up.
6. Slide out the inner barrel with Hop-Up assembly.



If the receiver does not open, repeat step 1 as necessary.

ASSEMBLY

1. Insert the inner barrel and Hop-Up assembly into the upper receiver
2. Secure the Hop-Up assembly into the upper receiver. Push down the upper receiver to close
3. Align the pin holes. Insert the Pin and use the allen wrench to tighten the cap screw



CLEANING PROCEDURE

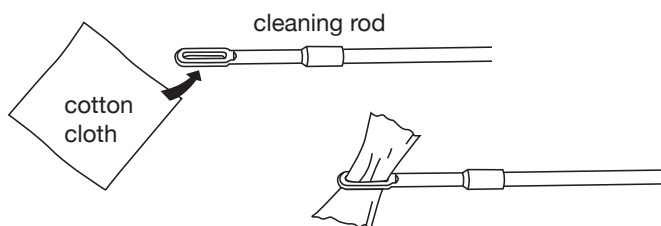


WARNING! Unload and clear the Airsoft gun of all BBs before cleaning.

Cleaning procedure

The Airsoft gun barrel should be cleaned and lubricated after each shooting session. Regular cleaning prevents the effects of BB residue buildup, and ensures all parts are cleaned properly.

1. Ensure that the safety is engaged
2. Disable Hop-Up by dialing to the normal position
3. Remove the magazine and clear the chamber of loaded BBs
4. Disassemble the receiver (see Disassembly section)
5. Steps to use cleaning rod:
 - a. Cut a piece of clean cotton cloth to 1 inch by 0.5 inch size. Insert one end of the cloth into the hole in the cleaning rod (adjust the length of cloth for smooth entry into the barrel)
 - b. Wind the cloth around the cleaning rod
 - c. Insert the cleaning rod into the inner barrel, turning the rod as you insert into the barrel
 - d. Remove the cleaning rod and check the cotton cloth for dirt. Repeat steps a. through c. when necessary

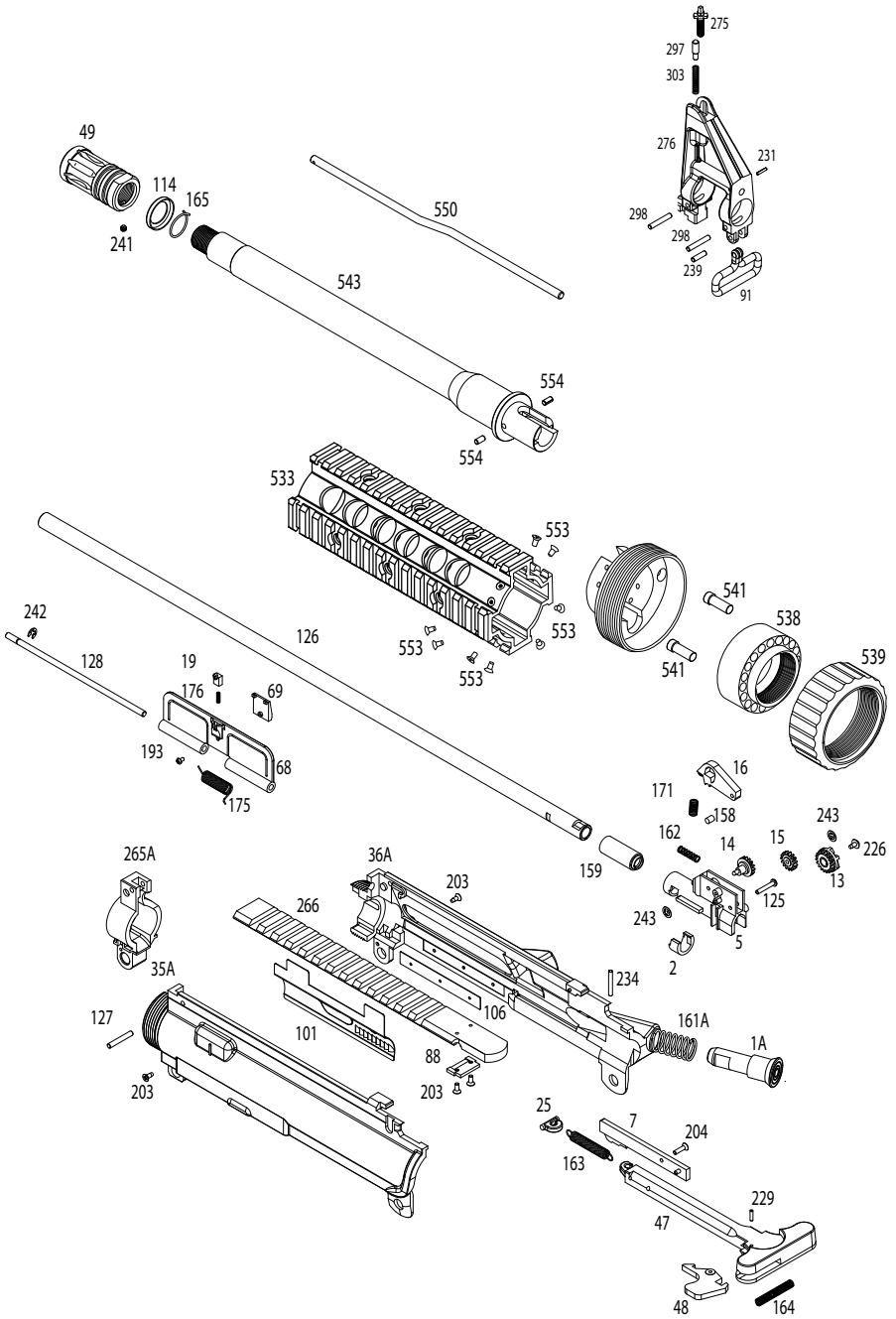


6. Clean the remainder of the Airsoft gun with cotton-tipped swabs, or general purpose cleaning cloths.

BASIC TROUBLESHOOTING GUIDE FOR RIFLE

SYMPTOMS	CAUSE	SOLUTIONS
Air Soft gun is not firing	Selector set to Safe Mode	Select Semi-Auto or Full-Auto Mode
	Dead battery	Replace or Charge battery
	Burned out fuse	Replace with a new fuse
	Motor damaged or bad connection	Return gun for professional care
	Pinched wiring	Return gun for professional care
Motor is running but not firing	Internal failure	Return gun for professional care
Motor or Battery is hot after short use	Pinched wiring	Return gun for professional care
	Motor damaged or bad connection	Return gun for professional care
Semi-Auto feature not functioning properly	Incorrect timing	Set selector to full-auto mode. Dry fire 10-20 rounds before returning it to semi-auto mode
Semi-Auto feature not functioning at all	Internal failure	Return gun for professional care
Firing cycle slows down	Weak battery	Recharge battery
High pitch or grinding noise	Gear may be damaged or Motor level not adjusted	Return gun for professional care
BB travels upward	Excessive hop	Turn hop adjustment dial backward
BB travels downward	Insufficient hop	Turn hop adjustment dial forward
BB double feeding or rolling out of the barrel	Excessive oil in chamber	Fire 200 rounds to eliminate excessive oil
	Hop-Up unit is contaminated	Clean Hop-Up unit with supplied cleaning rod
	Hop-Up unit may be damaged	Return gun for professional care
Hop-Up unit can't be adjusted	Damaged adjustment dial or internal parts	Return gun for professional care
Inner barrel is jammed	Use of recycled or low quality BBs	Use KWA Perfect BBs or other high quality BBs
	Inner barrel is contaminated	Clean inner barrel with supplied cleaning rod
	Inner barrel is damaged	Return gun for professional care
Hi-cap magazine not feeding	Magazine has not been wound	Wind wheel underneath magazine
	BBs are lodged inside the magazine	Shake or tap magazine to unclog the BBs
	Internal failure	Return gun for professional care

KM4 SR7 DIAGRAM



KM4 SR7 PARTS LIST

Parts #	Description
199-1002-1A	Foward Assist Button
199-1002-2	Inner Barrel Retainer
199-1002-3	BB Ramp
199-1002-5	Chamber Block
199-1002-6	Detente
199-1002-7	Bolt Plate Carrier
199-1002-8	Selector Cover
199-1002-9	Grip
199-1002-13	Hop-Up Adjustment Wheel
199-1002-14	Hop-Up Spindle (Small)
199-1002-15	Hop-Up Spindle (Large)
199-1002-16	Hop-Up Bar
199-1002-17	Lower Receiver
199-1002-19	Ejection Port Cover Lock Plunger
199-1002-24	Selector Plate
199-1002-25	Charging Handle Spring Hook
199-1002-35A	Upper Receiver (Left)
199-1002-36A	Upper Receiver (Right)
199-1002-46	Bolt Catch
199-1002-47	Charging Handle
199-1002-48	Charging Handle Latch
199-1002-49	Flash Hider
199-1002-57	Motor Cover Plate
199-1002-66	Magazine Catch
199-1002-67	Magazine Catch Button
199-1002-68	Ejection Port Cover
199-1002-69	Ejection Port Cover Lock
199-1002-77	Selector
199-1002-85	Trigger Guard
199-1002-88	Rail Retaining Block
199-1002-91	Swivel Front
199-1002-101	Bolt Plate
199-1002-106	Dust Cover Retainer
199-1002-109	Set Screw Plate
199-1002-114	Flash Hider Washer
199-1002-115	Motor Adjustment Screw
199-1002-120	Take Down Pin (Front)
199-1002-121	Take Down Pin (Rear)
199-1002-123	Gear Box Set Pin
199-1002-125	Hop-Up Bar Pin
199-1002-126	Inner Barrel
199-1002-127	Top Rail Pin
199-1002-128	Ejection Port Cover Pin
199-1002-135	Trigger Guard Lock Pin
199-1002-137	Rear Sight Base
199-1002-138	Receiver Pin Screws X 2
199-1002-140	Front Sight Housing Pins X 2

Parts #	Description
199-1002-153	Rear Sight Clamp
199-1002-158	Hop-Up Cylinder
199-1002-159	Hop-Up Bucking
199-1002-161A	Forward Assist Button Spring
199-1002-162	Chamber Block Spring
199-1002-163	Charging Handle Spring
199-1002-164	Charging Handle Latch Spring
199-1002-165	Flash Hider Spring
199-1002-171	Hop-Up Bar Spring
199-1002-173	Magazine Catch Spring
199-1002-174	Motor Tension Spring
199-1002-175	Ejection Port Cover Spring
199-1002-176	Ejection Port Cover Lock Spring
199-1002-182	Selector Spring
199-1002-185	Trigger Guard Lock Spring
199-1002-193	Ejection Port Cover Screw
199-1002-201	Elevation Cover Screw
199-1002-202	Rear Sight Knob Spacer
199-1002-203	Screw M2X5 X 4
199-1002-204	Bolt Plate Carrier Screw
199-1002-205	Magazine Catch Screw
199-1002-206	Motor Plate Screws X 2 "Metric"
199-1002-209	Selector Screw
199-1002-210	BB Ramp Screws X 2
199-1002-215	Windage Knob Set Screw
199-1002-218	Screw M3X8 SC X 2
199-1002-226	Hop-Up Wheel Screw
199-1002-227	Grip Screws X 2
199-1002-229	Charging Handle Latch Pins X 2
199-1002-231	Gas Tube Pin
199-1002-234	Foward Assist Button Pin
199-1002-236	SP 3X20 Roll Pin
199-1002-239	Front Swivel Pin
199-1002-241	Flash Hider Set Screw
199-1002-242	Pin Retaining Ring
199-1002-243	Hop-Up Spindle Rings X 2
199-1002-252	Gear Box
199-1002-253	Motor
199-1002-259	Rear Sight
199-1002-260	Windage Knob
199-1002-261	Elevation Dial Base
199-1002-262	Elevation Dial
199-1002-265A	Barrel Assembly Block
199-1002-266	Top Rail

Parts #	Description
199-1002-273	Elevation Dial Plunger Cover
199-1002-274	Rear Sight Housing Base
199-1002-275	Front Sight
199-1002-276	Front Sight Housing Base
199-1002-282	Rear Sight Plate Spring
199-1002-290	Rear Sight Locking Knob
199-1002-291	Windage Knob Plunger
199-1002-292	Rear Sight Windage Screw
199-1002-293	Elevation Bar
199-1002-294	Elevation Dial Plunger
199-1002-295	Rear Sight Base Screw
199-1002-296	Elevation Knob Pin
199-1002-297	Front Sight Plunger
199-1002-298	Front Sight Housing Pins X 2
199-1002-301	Rear Sight Elevation Spring
199-1002-302	Windage Knob Spring
199-1002-303	Front Sight Spring
199-1002-500	Crane Stock
199-1002-501	Butt Plate
199-1002-503	Stock Lever Spacer
199-1002-505	Crane Stock Cover (Left)
199-1002-506	Crane Stock Cover (Right)
199-1002-507	Sling Swivel
199-1002-508	Buffer Tube Retainer
199-1002-509	Stock Buffer Tube
199-1002-510	Stock Lever
199-1002-511	Stock Lever Nut
199-1002-512	Stock Lever Bolt
199-1002-513	Stock Lever Spring
199-1002-514	Fuse Terminals
199-1002-515	Fuse Terminal Screws X 2
199-1002-516	Crane Wire Harness Screw
199-1002-517	Stock Lever Nut Screw
199-1002-518	Fuse
199-1002-519	Crane Wire Harness
199-1002-520	Crane Wire Harness Clamp
199-1002-533	Hand Guard
199-1002-538	Outer Barrel Nut
199-1002-539	Knurled Hand Guard Ring
199-1002-541	Hand Guard Alignment Pins X 2
199-1002-543	Outer Barrel
199-1002-550	Gas Tube
199-1002-553	Hand Guard Base Screws X 8
199-1002-554	Barrel Base Pins X 2

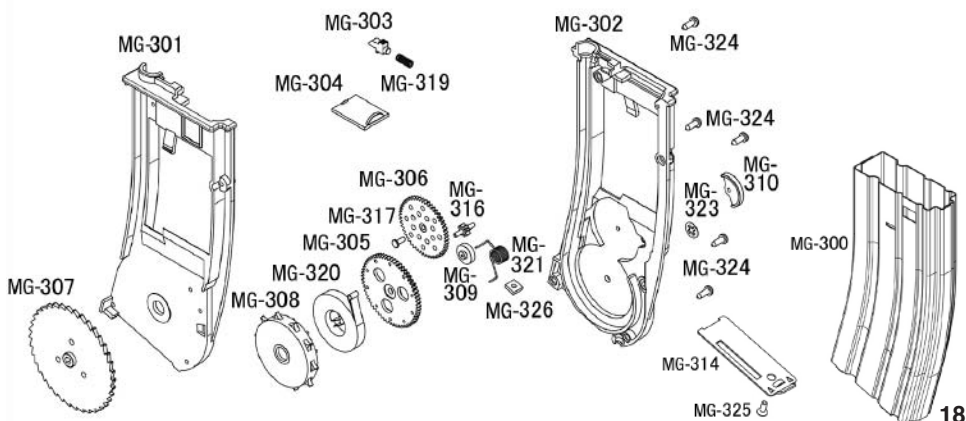
KM4 SERIES GEARBOX PARTS LIST

Parts #	Description
199-1002-M3	Cylinder Head (Main)
199-1002-M7	Piston (Main)
199-1002-M19	Piston Plate
199-1002-M23	Anti-Reversal Latch (Assembly)
199-1002-M33	Cylinder
199-1002-M35	Anti-Reversal Latch (Assembly)
199-1002-M36	Switch (Assembly)
199-1002-M37	Piston Head
199-1002-M38	Piston (Assembly)
199-1002-M39	Spring Guide (Assembly)
199-1002-M40	Spring Guide (Assembly)
199-1002-M42	Tappet Plate Spring
199-1002-M43	Switch (Assembly)
199-1002-M47	Anti-Reversal Latch Spring
199-1002-M48	Main Spring
199-1002-M51	Tappet Plate
199-1002-M52	Safety Lever Base

Parts #	Description
199-1002-M53	Safety Lever
199-1002-M54	Switch (Assembly)
199-1002-M55	Switch (Assembly)
199-1002-M56	Switch (Assembly)
199-1002-M57	Selector Plate
199-1002-M58	Switch (Assembly)
199-1002-M59	Wire Retainer
199-1002-M62	Gearbox Shell (Left)
199-1002-M63	Gearbox Shell (Right)
199-1002-M64	Disconnect
199-1002-M65	Trigger
199-1002-M69	Switch (Assembly)
199-1002-M70	Switch (Assembly)
199-1002-M71	Switch (Assembly)
199-1002-M72	Selector Plate Contact
199-1002-M74	Air Nozzle
199-1002-M78	Disconnect Spring
199-1002-M79	Safety Lever Spring
199-1002-M80	Trigger Spring

Parts #	Description
199-1002-M96	Piston Head Set Screw
199-1002-M97	Bevel Gear
199-1002-M101	Spur Gear
199-1002-M107	Sector Gear
199-1002-M114	Switch (Assembly)
199-1002-M115	Screw X 4
199-1002-M116	Screw X 2
199-1002-M117	Screw X 2
199-1002-M118	Piston (Assembly)
199-1002-M119	Switch (Assembly)
199-1002-M120	Disconnect Screw X 2
199-1002-M121	Locking Washer (Gearbox) X 4
199-1002-M122	Switch (Assembly)
199-1002-M123	Gear Box Set Pin
199-1002-M124	Cylinder O-Ring
199-1002-M125	9mm Bearing X 6
199-1002-M127	Piston Washer (Assembly) X 2
199-1002-M127-1	Grooved Washer X 4

M4 MAGAZINE DIAGRAM AND PARTS LIST



Parts #	Description
199-1002-MG300	Magazine Case
199-1002-MG301	Inner Magazine Housing (Left)
199-1002-MG302	Inner Magazine Housing (Right)
199-1002-MG303	BB Stop
199-1002-MG304	BB Compartment Cover
199-1002-MG305	Gear # 1
199-1002-MG306	Gear # 2
199-1002-MG307	Winding Wheel
199-1002-MG308	BB Spindle
199-1002-MG09	Counter Weight Wheel
199-1002-MG310	Half Wheel Counter Weight

Parts #	Description
199-1002-MG314	Magazine Base Plate
199-1002-MG316	Sprocket Shaft
199-1002-MG317	Sprocket Wheel Pin
199-1002-MG319	BB Stop Spring
199-1002-MG320	Coil Spring
199-1002-MG321	Counter Weight Spring
199-1002-MG323	Half Wheel Retainer Clip
199-1002-MG324	Phillip Screws X 5
199-1002-MG325	Magazine Base Plate Screw
199-1002-MG-26	Base Plate Nut

KWA Performance Industries, Inc.

18571 E. Gale Ave

City of Industry, CA 91748

T: 626.581.1777 • F: 626.581.0777

www.kwausa.com