

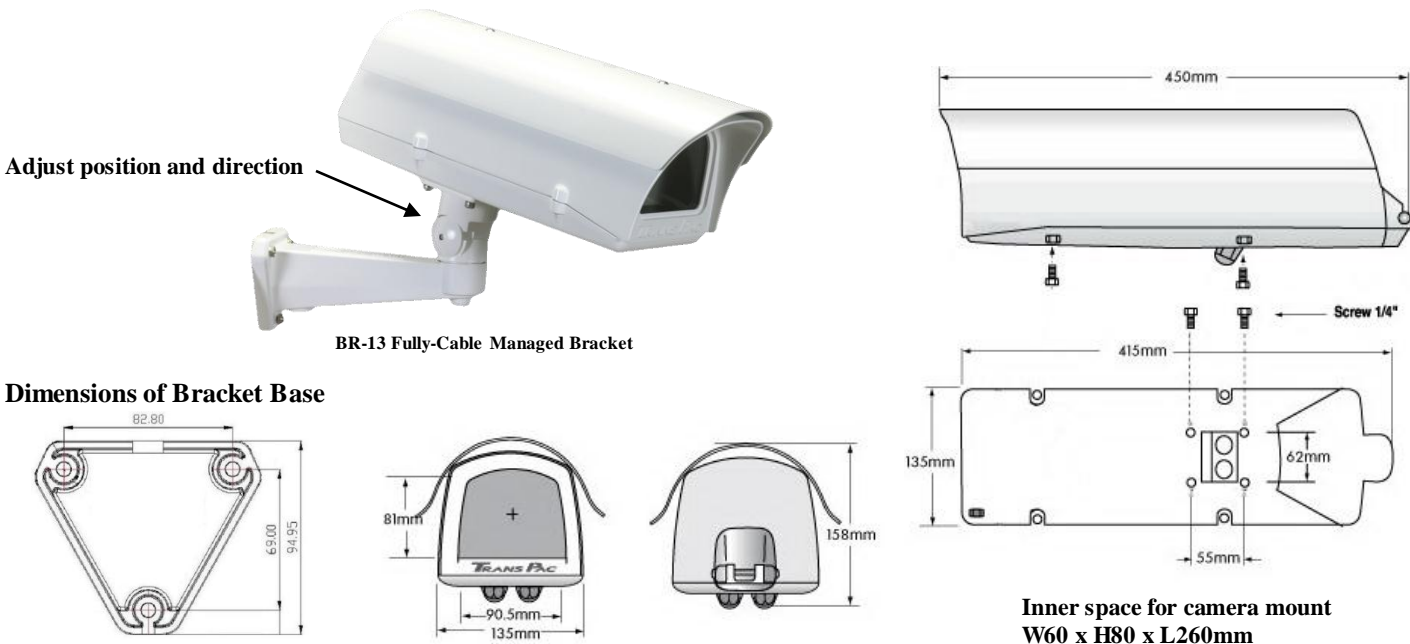
# User's Manual

Model No: TPH-5500 Series

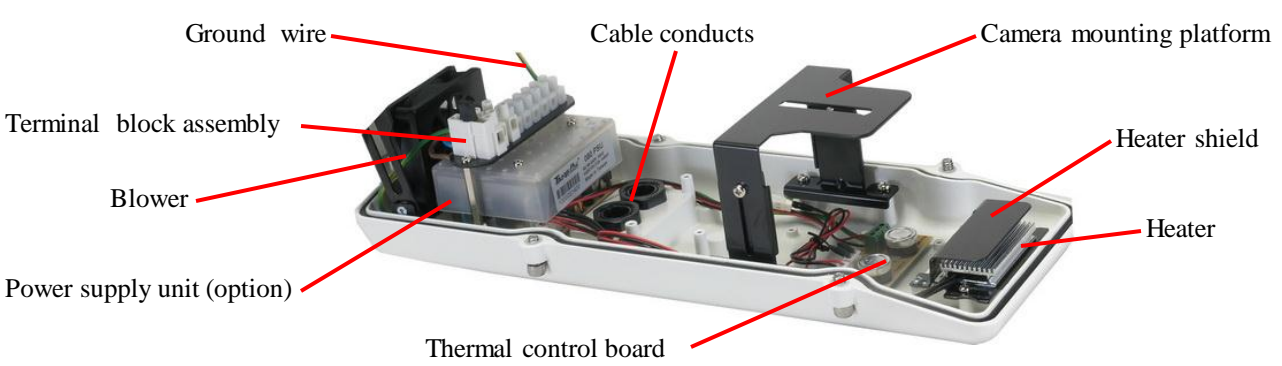
## I. Introduction

The TPH-5500 series Camera Housing is constructed from die-cast aluminum alloy with powder coated finish and is equipped with an adjustable Fully-Cable-Managed Mounting Bracket. The product is CE certified and has environmental protection level IP 68 or IP 44 with blower, Reach and RoHS compliance.

## II. Mounting Configuration and Dimensions of TPH 5500



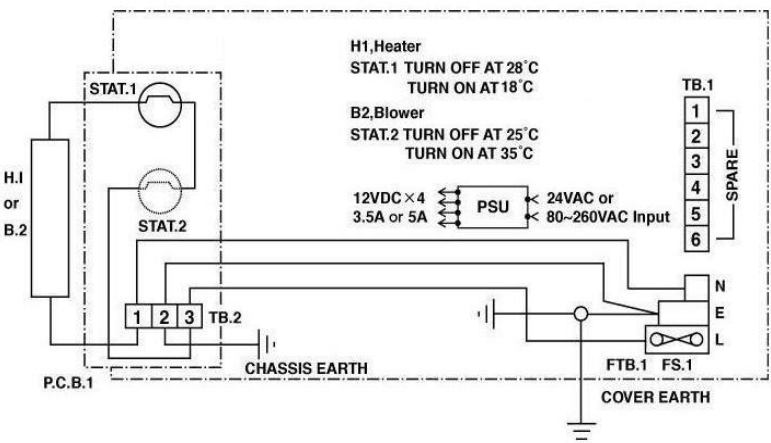
## III. Fitting instructions for camera.



## IV. Wiring Diagram

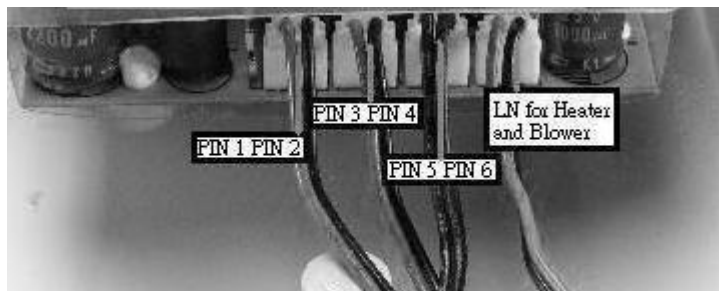
Inside the internal wiring diagram of TPH 5500 for the window demister. A spare 6 way terminal block is provided at the rear of the housing for the camera when necessary and lens connections. Circuit identified as follows:

- TB.1 6 way terminal block
- TB.2 3 way terminal block
- FTB.1 Fused terminal block
- STAT.1 18°C Thermostat
- STAT.2 35°C Thermostat
- H.1 Heater
- PSU Power Supply Unit
- P.C.B.1 Thermal control circuit board
- FS.1 3 Amp. Fuse



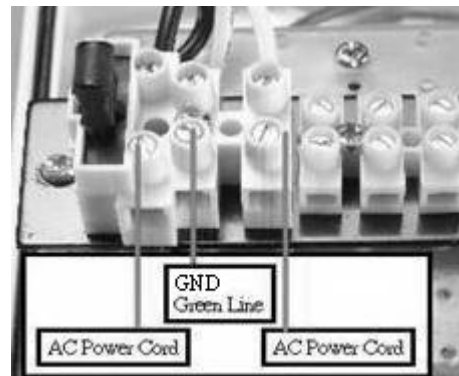
### DC output of PSU connectors

1. Pin1,2 and pin 3,4 is DC 12V output for motor lens, IR illuminator, siren or speaker use. If no use please remove cable from connector.
2. Pin 5,6 is for DC12V output for camera.



### AC power connection

Shows how to connect the AC power cord to the FTB. 1 connector.



## V. INSTALLATION SUGGESTION:

If you plan to install this camera into a tropical, sear coastal, saltwater or corrosive industrial water/moist environment, please seal each stainless steel screw and fittings with a silicon grease compounds. This will help prevent electrolysis corrosive occurring and extend the lifespan of the camera and housing. The installation of a surge protection device is strongly recommended in frequent thunder area.



**IMPORTANT NOTE:**

1. **Disconnect Device:** A disconnect device from main supply shall be incorporated in the building installation wiring.
2. **Electrical Connections:** Only a qualified electrician allow to make electrical connections.

Model No.	Features		Single heater		Double heaters*		Blower (IP44)		PSU (power supply unit)			
	12Vdc / 24Vac	110 / 230Vac	1. Turn on at 18°C 2. Turn off at 28°C	1. Turn on at 18°C Turn off at 28°C 2. Turn on at 0°C Turn off at 10°C	1. Turn on at 35°C 2. Turn off at 25°C	1. 880 (80-260Vac input, 1x12Vdc output, 1A) 2. 080 (80-260Vac input, 4x12Vdc output, 3.5A) 3. 324 (24Vac input, 4x12Vdc output, 3.5A) 4. 424 (24Vac input, 1x12Vdc output, 1.5A)	12Vdc	24Vac	880	080	324	424
5500												
5500-12/24HS	●											
5500-12/24HD				●								
5500-012/F							●					
5500-012/HF	●						●					
5500-024/F								●				
5500-024/HF	●							●				
5500-110/230HS		●										
5500-110/230HD				●								
5500-080/HS	●									●		
5500-080/HD				●						●		
5500-080/F							●			●		
5500-080/HF	●						●			●		
5500-080/HC**	●									●		
5500-324/F							●				●	
5500-324/HF	●						●				●	
5500-324/HC**	●										●	
5500-880/F							●		●			
5500-880/HF		●					●		●			
5500-880/HC**		●							●			
5500-424/F							●					●
5500-424/HF	●						●					●
5500-424/HC**	●											●

\*First heater prevents moisture on the window glass till weather temperature -25°, second heater is heating in enclosure for camera operation properly till weather temperature -40°

\*\* With 12Vdc camera jet