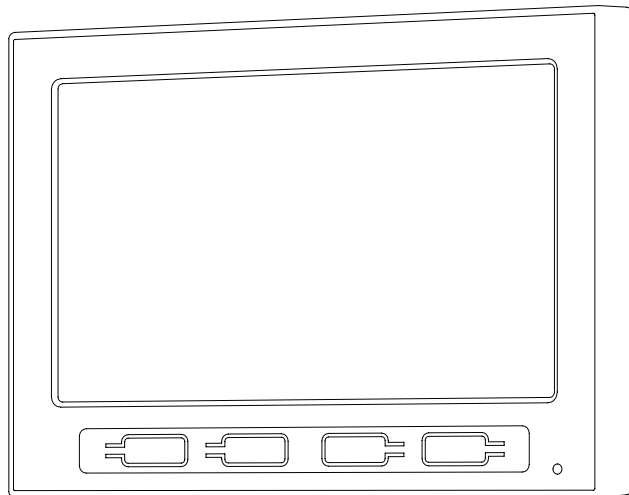


i DISPLAY

Interactive Digital Displays

10.2" HD 4 Touch Buttons User Manual



Index

Safety and Warning	4	Main Supply
	4	Main Adaptor
	5	FCC Radiation Statement
	5	Warning
Overview	6	Components
	6	Features
Operating Instructions	7	Quick Start
Accessories	8	
Troubleshooting	9	
Power Supply Unit Electrical Data	10	
LCD Screen Specification	10	

Thank you for purchasing an Outform I Display product.

Before you start to use your new I Display product, please read the user manual carefully to enjoy I Display performance and a longer service life.

Keep this manual in a safe place for future reference.

In the interest of continually improving our product, I Display reserves the right to update or modify information contained in this manual.

The screen and the illustration shown in this manual were produced during the development stage and may differ from the actual product. Unless otherwise specified.

For further information or support, please contact support@i-display.com

Safety and Warnings

Main Supply

This equipment is designed to operate from a 100-240 Volt, 50/60Hz AC main supply. The use of other power sources may damage this equipment. Check that the voltage marked on the rating plate located at the rear of the power adaptor states 100-240V. The manufacturer will NOT accept responsibility for damage or injury caused by connecting to the wrong voltage.

Main Unit

FC This device complies with CE/FCC regulations.

Main Adaptor

The power adaptor supplied is compatible with a standard main socket. NB. If the power adaptor or lead gets damaged, it must be replaced by a qualified service agent with an approved adaptor of the same type and rating.


Operation is subject to the following two conditions: (1) this device may not cause harmful interference, and (2) This device must accept any interference received, including interference which may cause undesired operation. This equipment has been tested and found to comply with the limits for a Class B digital device, pursuant to Part 15 of the FCC Rules. These limits are designed to provide reasonable protection against harmful interference in a residential installation. This equipment generates uses and can radiate radio frequency energy and, if not installed and used in accordance with the instructions, may cause harmful interference to radio communications. However, there is no guarantee that interference will not occur in a particular installation. If this equipment does cause harmful interference to radio or television reception, which can be determined by turning the equipment off and on, the user is encouraged to try to correct the interference by one or more of the following measures:


- Reorient or relocate the receiving antenna.
- Increase the separation between the equipment and receiver.
- Connect the equipment into an outlet on a circuit different from that to which the receiver is connected.


Consult the dealer or an experienced radio / TV technician for help. In accordance with FCC requirements, changes or modifications not expressly approved by manufacturer could void the user's authority to operate this product.

FCC Radiation Exposure Statement

This equipment complies with FCC radiation exposure limits set forth for an uncontrolled environment. This equipment should be installed and operated with minimum distance 20cm between the radiator & your body

 Dangerous voltage constituting a risk of electric shock is present inside this equipment.

 This mark is applied to show the equipment conforms to European safety and electro-magnetic compatibility standards.

 There are important operating and maintenance instructions in the literature accompanying this equipment.

Warning

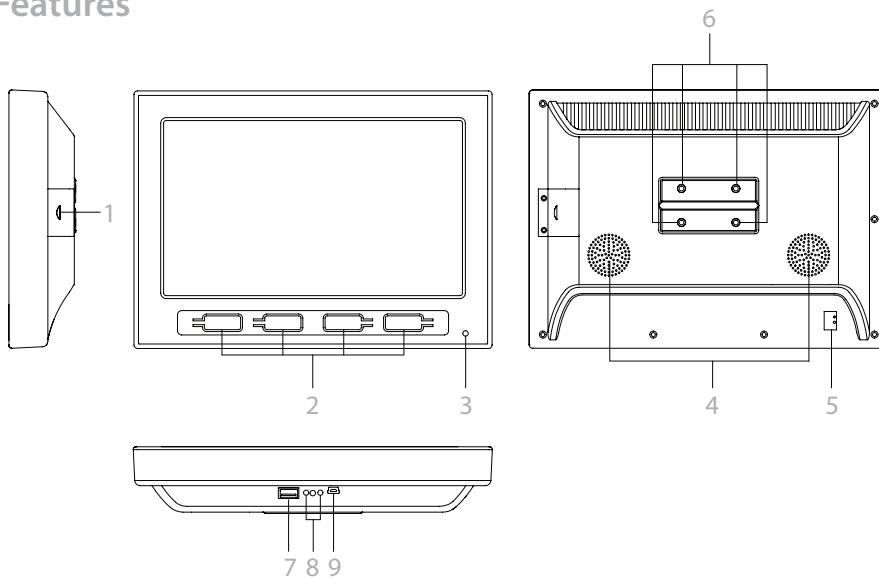
- The main plug shall be the main disconnect device and shall remain operable at all times.
- Never let anyone push objects into holes and ventilation slots.
- Do not expose this product to dripping or splashing or place any objects filled with liquids on or near the product.
- Do not place a naked flame source such as lighted candles on or near this product.
- Do not attempt to repair this product yourself; always get a qualified service agent to carry out adjustments or repairs.

Overview

Components

1. 10.2" High-Definition 4 touch button with removable strip
2. Power Supply Unit – US, EU/UK Plugs available.
3. Screwdriver
4. Remote control
5. User Manual

Features



1. SD card socket
2. Touch buttons
3. IR receiver for remote control
4. Speakers
5. ON/ OFF Switch
6. I Display standard screw holes for I display accessories
7. USB Port
8. Volume control
9. Mini USB Port

Operating Instructions

Quick Start

Turning on

1. Plug into power supply
2. Display will automatically load movie and play
3. If you get a picture with the words: "Please insert S.D or USB stick", please go to Playing other movies / change content

Playing other movies / change content

1. Prepare a USB stick with new content.
2. Make sure the content is copied onto the USB stick in the following manner: folder 0 is for the loop movie, folder 1- 4 are for Push Button activated movies.
3. Connect the USB stick to the i-Display USB socket. The content which was in the internal memory will be deleted and the new content in the USB stick will be copied automatically. After the content is copied, the unit will start playing the new content automatically. The USB stick can now be removed.

Important note:

The video file name is not important but the folder name must be as stated.
Make sure the video content is in a format supported by the unit.

Playing content from SD Card

1. Insert an SD card to the unit.
2. Make sure the content is copied onto the SD card in the following manner: folder 0 is for the loop movie, folder 1- 4 are for Push Button activated movies.
3. The unit will play the content of the SD card automatically.

Recommend content format

Video Formats

- Resolution: 1280X720
- Video Format: XVID (.AVI)
- Frame Rate: 25 frames per second (Up to 30 frames).
- Audio code: MPEG-1 Audio layer 3 160Kbps.


Picture Format

- Format: JPEG
- Resolution: 1280X720

Remote Control



 Turns the unit on/off

 Turns the sound off

Menu controls the followings:

Volume – increase / decrease the volume by pressing up/down or right/left.

Brightness – increase / decrease the brightness by pressing up /down

Contrast – increase / decrease the contrast #by pressing up/down or right left.

Hue – increase / decrease the hue by pressing up/down or right left.

Accessories

- Counter Stand (IDA001)
- Metal Shelf Clip (IDA002)
- Slat Wall Clip (IDA003)
- 1GB S.D card (IM001)
- 5V External Rechargeable Battery (UID0021)

All accessories are purchased separately

For more information on the range of accessories, please log on to www.i-display.com

Troubleshooting

Problem	Troubleshooting
Not recognized USB/SD card	<ol style="list-style-type: none">1. Make sure the content is copied in right folders (see page 7)2. Inside content is not compliant with video/audio/picture formats (see page 7)3. Disconnect any power supply for 1 minute, insert the USB/SD card first and then connect the power supply.4. USB/SD card is damaged; try to inserting another USB/SD card.
Cannot copy content to SD card	<ol style="list-style-type: none">2. Inside content is not compliant with video/audio/picture formats (see page 10)
Cannot turn on LCD	<ol style="list-style-type: none">3. Disconnect any power supply for 1 minute, insert the USB/SD card first and then connect the power supply.
Remote controller does not work	<ol style="list-style-type: none">4. USB/SD card is damaged; try to inserting another USB/SD card.

Power Supply Unit Electrical Data

Power Adaptor

Input 100-240V, 50/60Hz, 0.3A ; **Output** 5.8V/2A, 1500mA.

Produced by: HONOR ELECTRONIC CO.LTD

LCD Screen Specification

Resolution

1024x600

Viewing angle

- 70° left
- 70° right
- 60° top side
- 50° under side

i DISPLAY

Interactive Digital Displays

For further information or support, please contact: support_iView@i-display.com

Outform ©All Rights Reserved