



MICATHERMIC HEATER

OPERATING INSTRUCTIONS



For model: CELMH120

WARNINGS AND PRECAUTIONS

1. Use only the voltage specified on the rating label of the appliance.
2. Keep all objects at least 1 metre from the front, sides and rear of the appliance. Do not place appliance close to radiant heat source.
3. Do not operate in areas where petrol, paint or other flammable liquids are used or stored.
4. Do not insert or allow foreign objects to enter any ventilation or exhaust opening, as this may cause an electric shock, fire or damage to the appliance. Do not sit on the appliance.
5. Do not operate this appliance with a damaged cord, plug or after the appliance malfunctions or has been dropped or damaged in any manner. Return to a qualified electrical person for examination, electrical service or repair.
6. This appliance is intended for household use only and not for commercial or industrial use.
7. Use this appliance only as described in this manual. Any other use is not recommended by the manufacturer and may cause fire, electrical shock or injury.
8. The common cause of overheating is deposits of dust or fluff in the appliance. Ensure these deposits are removed regularly by unplugging the appliance and vacuum cleaning the air vents and grills.
9. Do not use abrasive cleaning products on this appliance. Clean with a damp cloth (not wet) rinsed in hot soapy water only. Always remove plug from the mains supply before cleaning.
10. Do not connect the appliance to mains supply until completely assembled and adjusted.
11. Switch off and use handles provided when moving.
12. Do not operate with cord set coiled up as a heat build up is likely, which could be sufficient to become a hazard.
13. It is recommended that this heater is plugged directly into the wall socket. Power boards are not rated to supply power to high wattage appliances.
14. A correctly specified, undamaged extension cord may be used with this heater provided it is used in a safe manner.
15. Do not remove plug from power socket until the appliance has been switched off.
16. Do not remove plug from power socket by pulling cord; always grip plug.
17. Always unplug appliance when not in use.
18. Do not locate the heater directly below any power socket during operation.
19. Do not twist, kink or wrap the cord around the appliance, as this may cause the insulation to weaken and split. Always ensure that all cord has been removed from any cord storage area and is unrolled before use.
20. This appliance is not intended for use by persons (including children) with reduced physical, sensory or mental capabilities or lack of experience and knowledge, unless they are supervised or have been given instruction concerning the use of the appliance by a person responsible for their safety.
21. Do not use this appliance in the immediate surrounds of a bath, a shower, or a swimming pool or other liquids. The appliance must not be immersed in any liquids.
22. When the appliance has been unpacked, check it for transport damage and ensure all parts have been delivered. If parts are missing or the appliance has been damaged, contact the Celsius Customer Services Team.
23. If your appliance does not work, or is not working properly, contact the place of purchase or the Celsius Customer Services Team. Repair work on the appliance by unqualified persons can cause serious risk to the user.
24. There are no user serviceable parts installed in the unit.
25. Do not place the unit in wardrobes or other enclosed spaces as this may cause fire hazards.
26. This unit is not supposed to be used in or around locations where foodstuffs, works of art or delicate articles of science, etc are stored.
27. Indoor use only.
28. Children should be supervised to ensure that they do not play with the appliance.
29. Ensure heater is on a flat, stable, heat-resistant surface.
30. It is important that you do not cover this heater.



SUPPORT AND TECHNICAL ADVICE

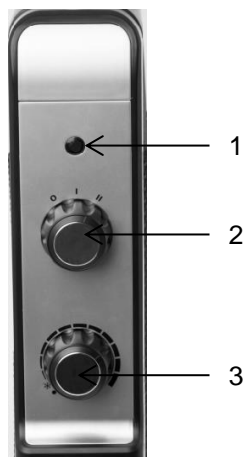
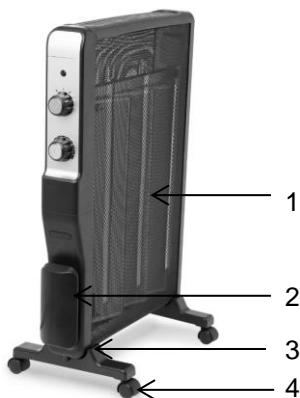
Celsius – New Zealand
Monday – Friday 8am-5pm
Phone +64 (0)9 917 4000
Phone 0800 232 633
info@celsius.co.nz

Celsius – Australia
Monday – Friday 8am-5pm
Phone +61 (0)3 9336 4423
Phone 1300 465 324
info@celsius.co.nz

Micathermic heating uses both radiant and convection heating technology. Natural convection currents distribute the heat evenly throughout the room, while radiant heat from the heating surface warms people and objects in the room. This heater is equipped with two heat settings.

COMPONENTS

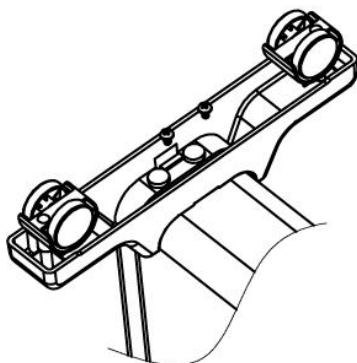
- | | |
|-------------------|----------------------------|
| 1. Main Body | 1. Power Indicator Light |
| 2. Cord Tidy | 2. Heat Control Dial |
| 3. Castor Bracket | 3. Thermostat Control Dial |
| 4. Castors | |



ASSEMBLY

1. Carefully turn the heater upside down.
2. Align the holes in the wheel bracket with the holes in the base of the heater, place screws in the centre of the holes and attach firmly with a screwdriver.
3. Repeat for other wheel bracket.
4. Turn the heater the right way up.

The screw pack to attach the feet to your heater will be taped to either one of the feet for your heater, or taped to the plug head.



OPERATING YOUR HEATER

Always choose a safe location for the heater, keeping in mind the safety precautions outlined. Ensure all packaging has been removed from the unit before use. This appliance requires no installation, it should be used solely as a portable appliance.

WARNING: THIS IS A DOUBLE SIDED HEATER. Keep all objects at least 1 metre from the front, sides and rear of the appliance.

Note: When the heater is turned on for the first time, it may release a slight, odour or smoke. This odour or smoke is a normal occurrence caused by the initial heating of the internal heating elements and should not occur again.

HEAT CONTROL DIAL

The control switch positions are:

O - Power Off

I - Low Heat

II - High Heat

Check that the heat control switches are set to Off position before plugging the heater into the mains supply. For greater economy, use the High Heat setting initially and then switch to the Low Heat setting.

THERMOSTAT

Turn the thermostat knob clockwise until you reach the maximum temperature on the graduated scale. When the desired room temperature is reached, slowly turn the knob anti-clockwise until the heater turns off (you will hear a click). The heater will now cycle on and off to maintain the set temperature.

CAUTION

The Micathermic Heater generates heat during use. Proper precautions must be taken to prevent the risk of burns, scalds, fires or other damage to persons.

IMPORTANT! NEVER COVER THIS HEATER!

SAFETY DEVICE

This appliance has three protection devices. The first device will automatically turn the appliance off if the appliance is not in the appropriate operating position.

The second device automatically disconnects & reconnects the appliance at a pre-set temperature.

The third device disconnects the appliance permanently in case of overheating, by means of a thermal fuse (it is non resettable).

Do not use this heater with a programmer, timer, separate remote-control system or any other device that switches the heater on automatically.

CAUTION: The heater generates heat during use. Proper precautions must be taken to prevent the risk of burns, scalds, fires or other damage to persons.

CLEANING YOUR HEATER

The heater requires regular cleaning to ensure trouble free operation:

Unplug the heater from the mains supply before cleaning.

Ensure that the heater has been allowed to cool down completely before cleaning.

Use a damp cloth (not wet) to wipe the exterior of the heater to remove dust and dirt.

Use a vacuum cleaner to remove dust and fluff from around the grills.

Never use solutions such as benzene, thinners or polishing agents.

Ensure the heater is dry before plugging back into the mains supply.

Do not attempt to dismantle the heater. There are no user serviceable parts. For service or repair, contact an authorised electrical service technician.

PROOF OF PURCHASE

To receive warranty retain receipt as proof of purchase.

TECHNICAL SPECIFICATION

Model No: CELMH120

Supply: 220-240VAC 50Hz

Wattage: 1300-1500W



One Year Warranty

Thank you for purchasing this Celsius product. Your product is warranted against faults and manufacture when used in normal domestic use for a period of **one year**. In non-domestic use Celsius limits the voluntary warranty to **three months**.

Celsius undertake to repair or replace this product at no charge if found to be defective due to a manufacturing fault during the warranty period.

This warranty excludes damage caused by misuse, neglect, shipping accident, incorrect installation, or work carried out by anyone other than a qualified electrical service technician.

PLEASE KEEP YOUR RECEIPT AS THIS WILL HELP VERIFY YOUR WARRANTY.

The benefits given to you by this warranty are in addition to other rights and remedies available to you under law in relation to the goods or services to which this warranty relates.

In Australia, our goods come with guarantees that cannot be excluded under the Australian Consumer Law. You are entitled to a replacement or refund for a major failure and compensation for any other reasonably foreseeable loss or damage. You are also entitled to have the goods repaired or replaced if the goods fail to be of acceptable quality and the failure does not amount to a major failure.

In New Zealand this warranty is additional to the conditions and guarantees of the Consumers Guarantee Act (1993).

Celsius – New Zealand

PO Box 100-707

N.S.M.C

Auckland

Phone +64 (0)9 917 4000

Phone 0800 232 633

info@celsius.co.nz

Celsius – Australia

PO Box 574

South Morang

Victoria, 3752

Phone +61 (0)3 9336 4423

Phone 1300 465 324

info@celsius.co.nz

Celsius One Year Warranty (IMPORTANT: Please complete and retain this warranty card)

Name _____

Address _____

Place Of Purchase _____ Date Of Purchase _____

Name Of Product _____ Model Number _____

Attach a copy of the purchase receipt to this warranty card _____