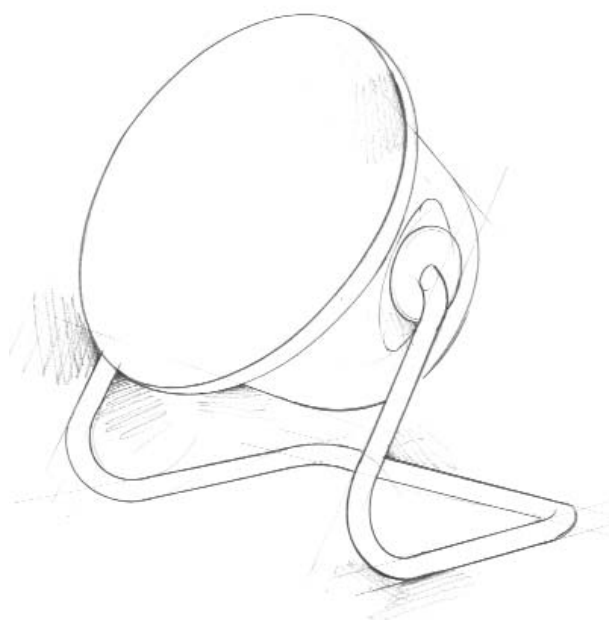


instructions

# DeLonghi



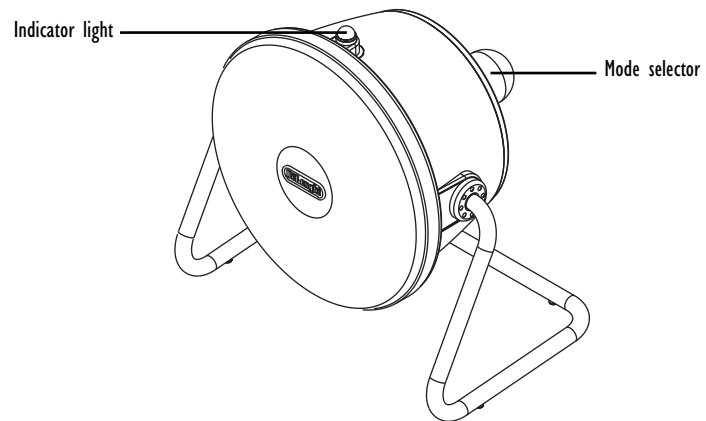
## HVR 9033 Retrò

**Please retain these instructions for future reference**



*Living innovation*

1




**Thank you for choosing this De'Longhi heater. To get the very best out of your new heater it is advisable to read these instructions before using it. This will ensure that you gain optimum results and use the appliance safely.**

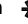
### Using for the first time

The appliance can be used as a portable unit only, resting on any horizontal surface.

### Operation

- **Summer use** (cool air only): turn the knob clockwise to the position .
- **Heating at low power:** turn the knob to the **1** position. The indicator light switches on.
- **Heating at maximum power:** turn the knob to the **2** position.
- **Setting the thermostat:** when the room temperature has reached the desired level, slowly turn the thermostat dial counter-clockwise until the indicator light goes out but no further. The thermostat will now automatically maintain the temperature at the desired level.

### Anti-freeze function

With the knob of the thermostat in position , the appliance maintains the room at a temperature of about 5°C, thus preventing freezing with a minimal expenditure of energy.

- Switching the heater off: turn the knob fully counter-clockwise to the "O" position.

It is always advisable to disconnect the plug when the appliance is not in use.

To direct the air flow in the required direction, tilt the appliance manually to one of the two available positions, **1** or **2** (see fig. 1/2).

### Maintenance

- Always unplug the appliance before cleaning the heater.
- **Periodically clean the air intake and outlet grille during the period in which the heater is in use.**
- Do not use abrasive cleaning products or solvents.

### Caution

- Do not make use of this heater in the immediate proximity of showers, bathrubs, swimming pools, etc.

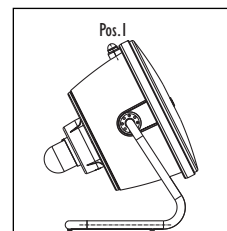


Fig.1

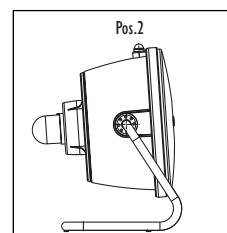


Fig.2

- Always use the heater in an upright position.
- Do not use the heater to dry your laundry.  
Never obstruct the intake and outlet grilles (danger of overheating).
- The heater must be positioned at least 50 cm from furniture or other objects.
- Do not use the appliance facing walls, furniture, curtains etc.
- If the power cable is damaged, it must be replaced by the manufacturer, an authorised service centre or a qualified electrician in order to eliminate all risk.
- Do not cover the appliance when in operation as this could cause a fire risk.
- Do not use the appliance in rooms which have a floor area smaller than 4m<sup>2</sup> as this may lead to overheating.
- The use of an extension lead is not recommended, as overheating of the extension lead may occur during the operation of the heater.
- As with any electrical appliance, whilst the instructions aim to cover as many eventualities as possible, caution and common sense should be applied when operating your appliance, particularly in the vicinity of young children.
- The appliance must not be positioned directly underneath a fixed power point.

The heater is fitted with a **safety device** which will switch off the heater in case of **accidental overheating** (eg. obstruction of air intake and outlet grilles, motor turning slowly or not at all). To reset, disconnect the plug from the power for a few minutes, remove the cause of overheating then plug the appliance in again.



**IMPORTANT:** Never for any reason cover the appliance during operation as this could lead to dangerous overheating.

### Electrical connection

- A) If your appliance comes fitted with a plug, it will incorporate a 13 Amp fuse. If it does not fit your socket, the plug should be cut off from the mains lead, and an appropriate plug fitted, as below. **WARNING:**Very carefully dispose of the cut off plug after removing the fuse: do not insert in a 13 Amp socket elsewhere in the house as this could cause a shock hazard.
- With alternative plugs not incorporating a fuse, the circuit must be re-fitted when changing the fuse using a 13 Amp Asta approved fuse to BS 1362. In the event of losing the fuse cover, the plug must NOT be used until a replacement fuse cover can be obtained from your nearest electrical dealer. The colour of the correct replacement fuse cover is that as marked on the base of the plug.
- B) If your appliance is not fitted with a plug, please follow the instructions provided below:

### IMPORTANT

The wires in the mains lead are coloured in accordance with the following code:

	Blue:
Neutral	
	Brown:
Live	

As the colours of the wires in the mains lead of this appliance may not correspond with the coloured markings identifying the terminals in your plug, proceed as follows:

The wire which is coloured blue must be connected to the terminal which is marked with the letter N or coloured black.

The wire which is coloured brown must be connected to the terminal which is marked with the letter L or coloured red.

