

# USER'S MANUAL

622UA

MP3-COMPATIBLE DIGITAL MEDIA AM/FM RECEIVER

**BOSS**<sup>®</sup>  
AUDIO SYSTEMS

BOSS Audio Systems

3451 Lunar Court • Oxnard, CA 93030

[www.bosssaudio.com](http://www.bosssaudio.com) | 800.999.1236

tech support: [www.bosssaudio.com/support](http://www.bosssaudio.com/support)



0813

iPod® / iPhone® are trademarks of Apple, Inc. registered in the U.S. and other countries.  
BOSS Audio Systems is not affiliated with Apple, Inc.

# USER'S MANUAL

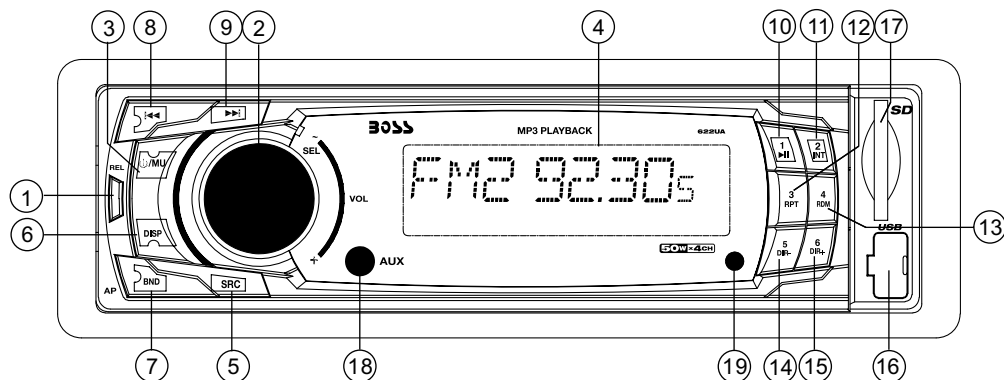
622UA

MP3-COMPATIBLE DIGITAL MEDIA  
AM/FM RECEIVER

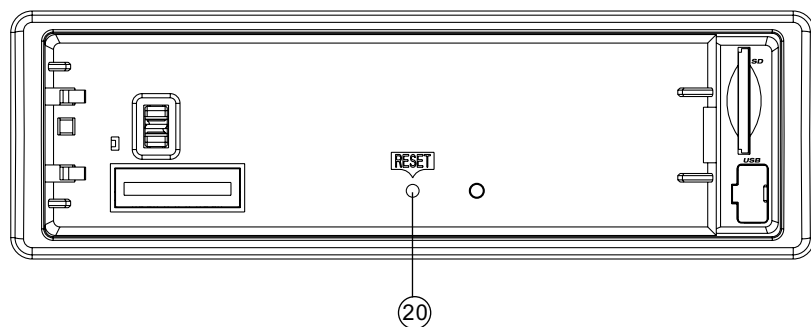


**BOSS**<sup>®</sup>  
AUDIO SYSTEMS

## DESCRIPTION OF CONTROLS ON FRONT CONTROL PANEL



**Front Control Panel**



**Front Cabinet after removing Front Control Panel**

- |                          |                      |
|--------------------------|----------------------|
| 1. RELEASE button        | 12. 3/RPT button     |
| 2. SEL & VOL knob        | 13. 4/RDM button     |
| 3. POWER & MUTE button   | 14. 5 DIR- button    |
| 4. LCD                   | 15. 6 DIR+ button    |
| 5. SRC button            | 16. USB PORT         |
| 6. DISP button           | 17. Card slot        |
| 7. BND/AP button         | 18. AUX IN jack      |
| 8&9.  << And >>  buttons | 19. IR Remote Sensor |
| 10. 1/TOP/>   button     | 20. RESET button     |
| 11. 2/INT button         |                      |

## SPECIFICATION

### GENERAL

Supply Voltage	DC 12V. Negative Ground
Current Consumption	Max.10A
Power Output	4 x 50 W
Number of channels	2 STEREO channels.
Unit Dimensions	(L X W X H): 7 X 3.85 X 1.97 178 X 98 X 50 (mm)

### FM SECTION

Frequency range	87.5Mhz - 108Mhz (Europe)	87.5 Mhz - 107.9Mhz (U.S.A.)
Effective sensitivity	3uV.	
I.F Frequency	10.7MHz.	

### AM SECTION

Frequency range	522Khz - 1620Khz (Europe)	530khz - 1710Khz (U.S.A.)
Effective sensitivity	40dB.	
I.F Frequency	450KHz	

### Preamp Output

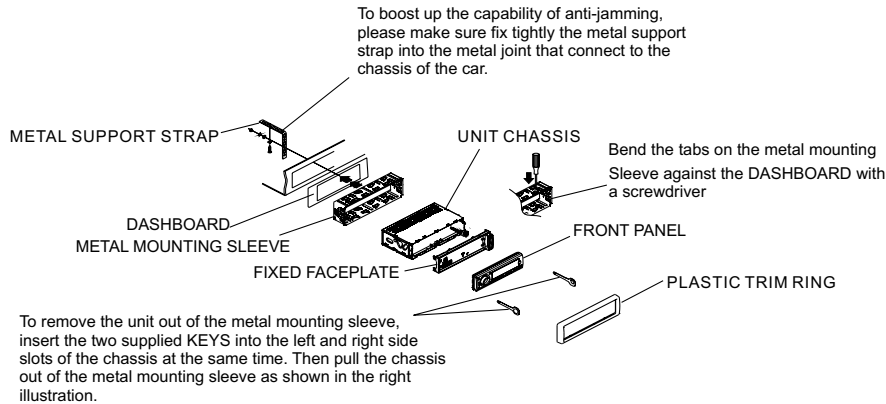
1 V Output

### SD or USB PLAYBACK System

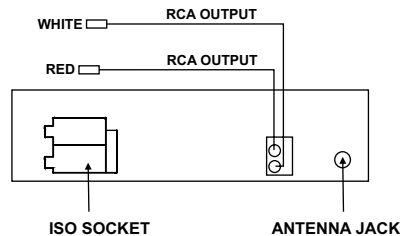
Frequency characteristics	MP3 audio system. 20Hz -100Hz <=5dB 10KHz-20KHz <=5dB.
Signal to noise (SD & USB)	50dB [1KHz] .

## INSTALLATION METHOD

This is an anti-theft installation method. The main unit wears a METAL MOUNTING SLEEVE. Please connect the wiring, eg, the Power Supply, the Speakers and the Antenna according to the requirements of this Instruction Manual, then install the metal mounting sleeve into the car as per the diagram illustrated below.

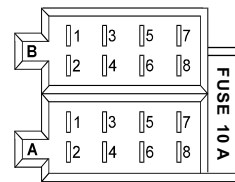


## WIRES CONNECTION



### CONNECTOR A

- 1.
- 2.
- 3.
4. Memory +12V
5. Auto Antenna Output
- 6.
7. 12V (To Ignition Key)
8. GROUND



ISO SOCKET SKETCH

### CONNECTOR B

1. Rear Right Speaker (+)
2. Rear Right Speaker (-)
3. Front Right Speaker (+)
4. Front Right Speaker (-)
5. Front Left Speaker (+)
6. Front Left Speaker (-)
7. Rear Left Speaker (+)
8. Rear Left Speaker (-)

## 1.- REL BUTTON

To remove the front panel from the main body, press the REL button.

## 2. - SEL & VOL CONTROL BUTTON

A) Press the SEL repeatedly to select VOLUME - BASS - TREBLE - BALANCE - FADER.  
 B) Press SEL button and hold for more than 2 seconds to turn on EQ OFF (POP/ROCK/CLAS), then long press SEL button repeatedly to select , LOUD OFF/LOUD ON, BEEP OFF/ON, AREA(USA/EUR) in radio mode) mode. After selecting the desired mode, rotate the VOL- or VOL+ button to select one setup item of the desired mode.

### BEEP ON/BEEP OFF

BEEP ON mode: The beep is generated when any key is pressed.

BEEP OFF mode: The beep sound is disabled.

## 3. -POWER ON/OFF AND MUTE

Press the POWER to turn on this unit. To turn off the unit, press and hold this button unit it off. During playing, press this to mute the sound.

## 4.LCD DISPLAY

### 5.SRC BUTTON

Press the SRC to select RADIO/CARD(SD card inserted)/USB(flash driver inserted)/AUX mode.

IN SD, and USB mode, press and hold SRC button to activate TRACK SEARCH and play the select track automatically.

### 6. DISP button

In USB/CARD mode, during playback, the ID3 tag information of the current track will display on the LCD. As long as the current playing music contains relevant ID3 tag information. Press the DISP to cancel the ID3 function, then the corresponding number of the current track will display on the LCD.

## 7. - BND/AP BUTTON

A) Press the BND/AP button to select radio band as follow: FM1 -> FM2 -> FM3 -> AM1 -> AM 2. Press and hold the BND/AP button to activate the auto storage function. The unit scans and preset the stations with strongest signal.(18stations in FM or 12 stations in AM )

## 8&9. -TUNE, SEEK, TRACK, SKIP UP/DOWN BUTTONS

A) Radio mode

Press the >>| or |<< to perform manual seek tuning. Press and hold the >>| or |<< to perform auto tuning. The unit will tune to the station with strong signal.

B) SD, and USB mode

Press the >>| or |<< to play the next or previous track.

## 10-15. - PRESET STATIONS MEMORY AND >II, INT, RPT, RDM BUTTONS

### A) Radio mode

Press the 1-6 buttons to select the preset stations. Press and hold the 1-6 buttons to store the station that currently listening.

### B) SD, and USB mode

Press the >II to pause or resume playing. Press the INT to play the first 10 seconds of the tracks. Press again to off this function and the current track will keep playing.

Press the RPT once to repeat plays the current track. Press the RPT twice to repeat plays the current folder. Press the RPT thrice to repeat plays all tracks.

Press the RDM to turn random play on or off. Press the 5/6 to play the next or previous folder.

## 16. - USB PORT

When USB storage device is connected, the unit is automatically switched to USB mode.

## 17. - SD CARD SLOT

When SD card is inserted, the unit is automatically switched to SD mode.

(Note: if both USB storage device and SD card inserted, the system will switch to the mode of USB.)

## 18. - AUX INPUT JACK (3.5MM STEREO JACK)

Press the SRC to select auxiliary input playing mode when connecting with external audio device.

## 19.- IR Remote Sensor

## 20.- RESET BUTTON

The unit must be reset under the following conditions:

A) Prior to using this unit for the first time after installation.

B) If the unit fails to operate properly, press the RESET with a pen tip or other pointed instrument.

## OPERATION OF REMOTE CONTROL

1. Power On/Off

2. Mute Button

3. Loudness Button

This function enhances the bass sound effect given the low volume level. Press the LOUD to turn on/off the loudness function.

4. SEL/MENU Button

5&6. VOL UP/DOWN Button

7. MO/ST Button

Press the MO/ST to select stereo or mono sound mode under FM radio reception.

8. A.P Button

Press the A.P button to preview the current preset stations. (18stations in FM ) Press and hold the A.P button to activate the auto storage function. The unit scans and preset the stations with strongest signal. (18stations in FM )

9. Band Button

10. Mode Button

11. Tune/Seek Up And Track Skip Up/FF Button

12. Tune/Seek Down And Track Skip Down/REW Button

13. SCAN BUTTON

Press the SCN button to scan the radio frequency. If a valid signal has detected, the current frequency will be hold and blinking for 5 seconds, then press SCN again to stop scan and remain the current frequency; other wise, the radio will go on to scan the other radio frequency 5 seconds later.

14. DSP button

In USB/CARD mode, during playback, the ID3 tag information of the current track will display on the LCD. As long as the current playing music contains relevant ID3 tag information. Press the DSP to cancel the ID3 function, then the corresponding number of the current track will display on the LCD.

15. LOC/DX Button

Local seeking tuning lets you tune in only those radio station with sufficiently strong signals for good receptions. Press LOC to select the local (LO) or distance (DX) mode on radio reception. (Note: this function only works on FM reception)

16. Track TOP/>||/Radio Preset 1

17. Track INT/Radio Preset 2

18. Track RPT/Radio Preset 3

19. Track RDM/Radio Preset 4

20. Radio Preset 5 and USB/CARD DIR-

21. Radio Preset 6 and USB/CARD DIR+

