



HOLIS

From Tyco Security Products

**Network Video Recorder
HOLNVR08xxx
HOLNVR08xxx8P
Quick Start Guide**

Notice

Please read this manual thoroughly and save it for future use before attempting to connect or operate this unit.

The information in this manual was current when published. The manufacturer reserves the right to revise and improve its products. All specifications are therefore subject to change without notice.

Copyright

Under copyright laws, the contents of this manual may not be copied, photocopied, reproduced, translated or reduced to any electronic medium or machine-readable form, in whole or in part, without prior written consent of Tyco Security Products. © 2015 Tyco Security Products. All rights reserved.

Customer Service

Thank you for using Tyco Security Products. We support our products through an extensive worldwide network of dealers. The dealer through whom you originally purchased this product is your point of contact if you need service or support. Our dealers are empowered to provide the very best in customer service and support. Dealers should contact Tyco Security Products at (800) 507-6268 or (561) 912-6259 or on the Web at www.holisnvr.com

Trademarks

The trademarks, logos, and service marks displayed on this document are registered in the United States [or other countries]. Any misuse of the trademarks is strictly prohibited and Tyco Security Products. will aggressively enforce its intellectual property rights to the fullest extent of the law, including pursuit of criminal prosecution wherever necessary. All trademarks not owned by Tyco Security Products. are the property of their respective owners, and are used with permission or allowed under applicable laws.

Product offerings and specifications are subject to change without notice. Actual products may vary from photos. Not all products include all features. Availability varies by region; contact your sales representative.

Sensormatic Electronics LLC
6600 Congress Avenue
Boca Raton,
FL33487
U.S.A.

Table of Contents

Important Safeguards and Warnings	iii
Hardware Installation and Connection	1
Check Unpacked NVR	1
About Front Panel and Rear Panel	1
After Remove the Chassis.....	1
HDD Installation.....	1
Front Panel.....	3
Rear Panel.....	5
Connection Sample	7
GUI Operation	8
Login	8
Remote Device	9
Schedule.....	11
Real time Playback.....	13
Preview control interface	13
Web Operation	15
Network Connection	15
About PoE address setup, operation and allocation	15
Login	16
Main Window	17
LAN Login	17
WAN Login	17
Appendix Toxic or Hazardous Materials or Elements	18

Important Safeguards and Warnings

1. Electrical safety

All installation and operation here should conform to your local electrical safety codes.

We assume no liability or responsibility for all the fires or electrical shock caused by improper handling or installation.

2. Transportation security

Heavy stress, violent vibration or water splash are not allowed during transportation, storage and installation.

3. Installation

Keep upwards. Handle with care.

Do not apply power to the NVR before completing installation.

Do not place objects on the NVR

4. Qualified engineers needed

All the examination and repair work should be done by the qualified service engineers.

We are not liable for any problems caused by unauthorized modifications or attempted repair.

5. Environment

The NVR should be installed in a cool, dry place away from direct sunlight, inflammable, explosive substances and etc.

This series product shall be transported, storage and used in the specified environments.

6. Accessories

Be sure to use all the accessories recommended by manufacturer.

Before installation, please open the package and check all the components are included.

Contact your local retailer ASAP if something is broken in your package.

7. Lithium battery

Improper battery use may result in fire, explosion, or personal injury!

When replace the battery, please make sure you are using the same model!

Before your operation please read the following instructions carefully.

Installation environment

- Keep away from extreme hot places and sources ;
- Avoid direct sunlight ;
- Keep away from extreme humid places ;
- Avoid violent vibration ;

- Do not put other devices on the top of the NVR ;
- Be installed in well ventilated place; do not block the vent.

Accessories

Check the accessories after opening the box :

- Please refer to the packing list in the box *

Hardware Installation and Connection

Note

All the installation and operations should conform to your local electric safety rules.

Check Unpacked NVR

When you receive the NVR from the forwarding agent, please check whether there is any visible damage. The protective materials used for the package of the NVR can protect most accidental clashes during transportation. Then you can open the box to check the accessories.

Please check the items in accordance with the list (Remote control is optional). Finally you can remove the protective film of the NVR.

About Front Panel and Rear Panel

For detailed information of the function keys in the front panel and the ports in the rear panel, please refer to the User Manual included in the resource CD.

The model label in the front panel is very important; please check according to your purchase order.

The label in the rear panel is very important too. Usually we need you to represent the serial number when we provide the service after sales.

After Remove the Chassis

Please check the data cable, power cable, COM cable and main board cable connection is secure or not.

HDD Installation

CAUTION

Please turn off the power before you replace the HDD.

The pictures listed below for reference only

You can refer to the User Manual for recommended HDD brand. Please use HDD of 7200rpm or higher. Usually we do not recommend the PC HDD.

For detailed operation instruction, please refer to the User Manual included in the resources CD.



1. Use the screwdriver to loose the screws of the rear panel and then remove the front cover.



2. Put the HDD to the HDD bracket in the chassis and then line up the four screws to the four holes in the HDD. Use the screwdriver to fix the screws firmly to secure HDD on the HDD bracket



3. Connect to the HDD data cable to the main board and the HDD port respectively. Loosen the power cable of the chassis and connect another end of the power cable to the HDD port.



4. After connect the cable, put the front cover back to the device and then fix screws of the rear panel.

Front Panel

For detailed operation instruction, please refer to the User's Manual included in the resources CD.

The front panel is shown as in Figure .

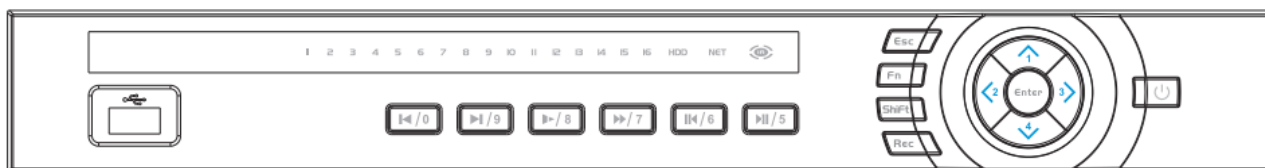



Figure 1

Please refer to the following sheet for front panel button information.

Name	Icon	Function
Power button		Power button, press this button for three seconds to boot up or shut down NVR.
Shift	Shift	In textbox, click this button to switch between numeral, English(Small/Capitalized),donation and etc.
Up/1 Down/4		Activate current control, modify setup, and then move up and down.
		Increase/decrease numeral.
		Assistant function such as PTZ menu.
		In text mode, input number 1/4 (English character G/H/I)
Left/2 Right/3		Shift current activated control,
		When playback, click these buttons to control playback bar. In text mode, input number 2(English character A/B/C) /3(English character D/E/F) .
ESC	ESC	Go to previous menu, or cancel current operation.
		When playback, click it to restore real-time monitor mode.
Enter	ENTER	Confirm current operation
		Go to default button
		Go to menu
Record	REC	Manually stop/start recording, working with direction keys or numeral keys to select the recording channel.
Slow play/8		Multiple slow play speeds or normal playback. In text mode, input number 8 (English character T/U/V).
Assistant	Fn	One-window monitor mode, click this button to display assistant function: PTZ control and image color.

		<p>Backspace function: in numeral control or text control, press it for 1.5seconds to delete the previous character before the cursor.</p> <p>In motion detection setup, working with Fn and direction keys to realize setup.</p> <p>In text mode, click it to switch between numeral, English character(small/capitalized) and etc.</p> <p>Realize other special functions.</p>
Fast play/7	▶▶	<p>Various fast speeds and normal playback. In text mode, input number 7 (English character P/Q/R/S).</p>
Play previous/0	◀	<p>In playback mode, playback the previous video In text mode, input number 0.</p>
Reverse/Pause/6	◀	<p>In normal playback or pause mode, click this button to reverse playback In reverse playback, click this button to pause playback. In text mode, input number 6 (English character M/N/O)</p>
Play Next/9	▶	<p>In playback mode, playback the next video In menu setup, go to down ward of the dropdown list. In text mode, input number 9 (English character W/X/Y/Z)</p>
Play/Pause /5	▶	<p>In normal playback click this button to pause playback In pause mode, click this button to resume playback. In text mode, input number 5(English character J/K/L).</p>
USB port		To connect USB storage device, USB mouse.
Network abnormal indication light	Net	Network error occurs or there is no network connection, the light becomes red to alert you.
HDD abnormal indication light	HDD	HDD error occurs or HDD capacity is below specified threshold value, the light becomes red to alert you.
Record light	1-16	System is recording or not. It becomes on when system is recording.
IR Receiver	IR	It is to receive the signal from the remote control.

Rear Panel

For detailed operation instruction, please refer to the User Manual included in the resources CD.

The rear panel is shown as below. See Figure 2.

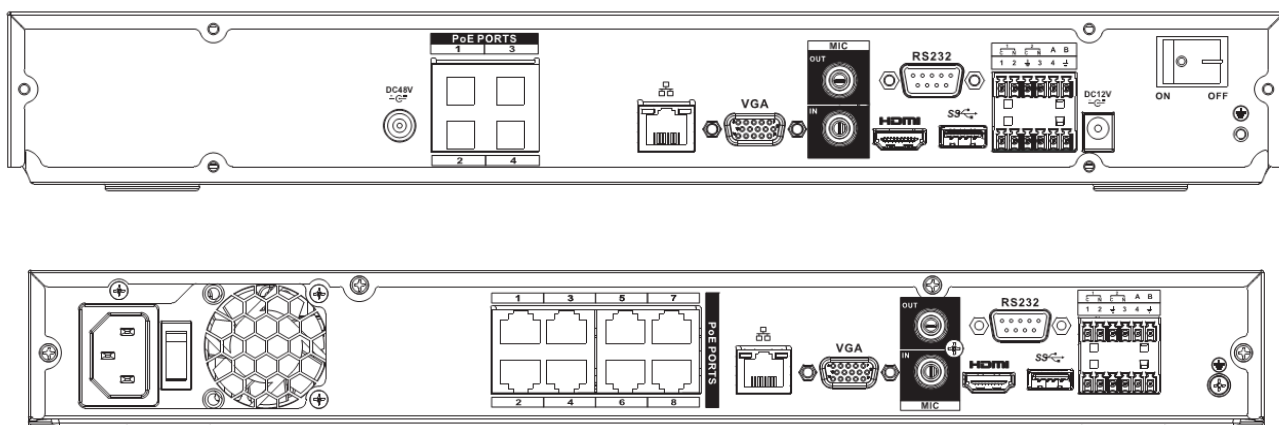

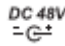






Figure 2

Please refer to the following sheet for detailed information.

Name		Function
Power switch	/	Power on/off button.
Power input socket	/	Input AC 100~240V.
	Power input port	Input DC 12V/5A.
	Power input port	Switch power port. Input DC 48V/1.04A.
MIC IN	Audio input port	Bidirectional talk input port. It is to receive the analog audio signal output from the devices such as mike phone, pickup.
MIC OUT	Audio output port	Audio output port. It is to output the analog audio signal to the devices such as the sound box. <ul style="list-style-type: none"> ● Bidirectional talk output. ● Audio output on 1-window video monitor. ● Audio output on 1-window video playback.
1~4	Alarm input port 1~4	<ul style="list-style-type: none"> ● There are two types; NO (normal open)/NC (normal close). ● When your alarm input device is using external power, please make sure the device and the NVR have the same ground.
	GND	Alarm input ground port.
N1, N2	Alarm output port 1~2	<ul style="list-style-type: none"> ● 2 groups of alarm output ports. (Group 1: port NO1 ~ C1, Group 2: port NO2 ~ C2). Output alarm signal to the alarm device. Please make sure there is power to the external alarm device. ● NO: Normal open alarm output port. ● C: Alarm output public end.
C1, C2		

Name		Function
A	RS-485 communication port	RS485_A port. It is the cable A. You can connect to the control devices such as speed dome PTZ.
B		RS485_B.It is the cable B. You can connect to the control devices such as speed dome PTZ.
	Network port	10M/100M/1000Mbps self-adaptive Ethernet port. Connect to the network cable.
	 U SB2.0 port	USB2.0 port. Connect to mouse, USB storage device, USB burner and etc.
RS-232	RS-232 debug COM.	It is for general COM debug to configure IP address or transfer transparent COM data.
HDMI	High Definition Media Interface	High definition audio and video signal output port. It transmits uncompressed high definition video and multiple-channel data to the HDMI port of the display device. HDMI version is 1.4.
VGA	VGA video output port	VGA video output port. Output analog video signal. It can connect to the monitor to view analog video.
PoE PORTS	/	Bult-in Switch. Support PoE. The 4 PoE series product supports total 48V 50W..

Connection Sample

For detailed operation instruction, please refer to the User's Manual included in the resources CD. See Figure .

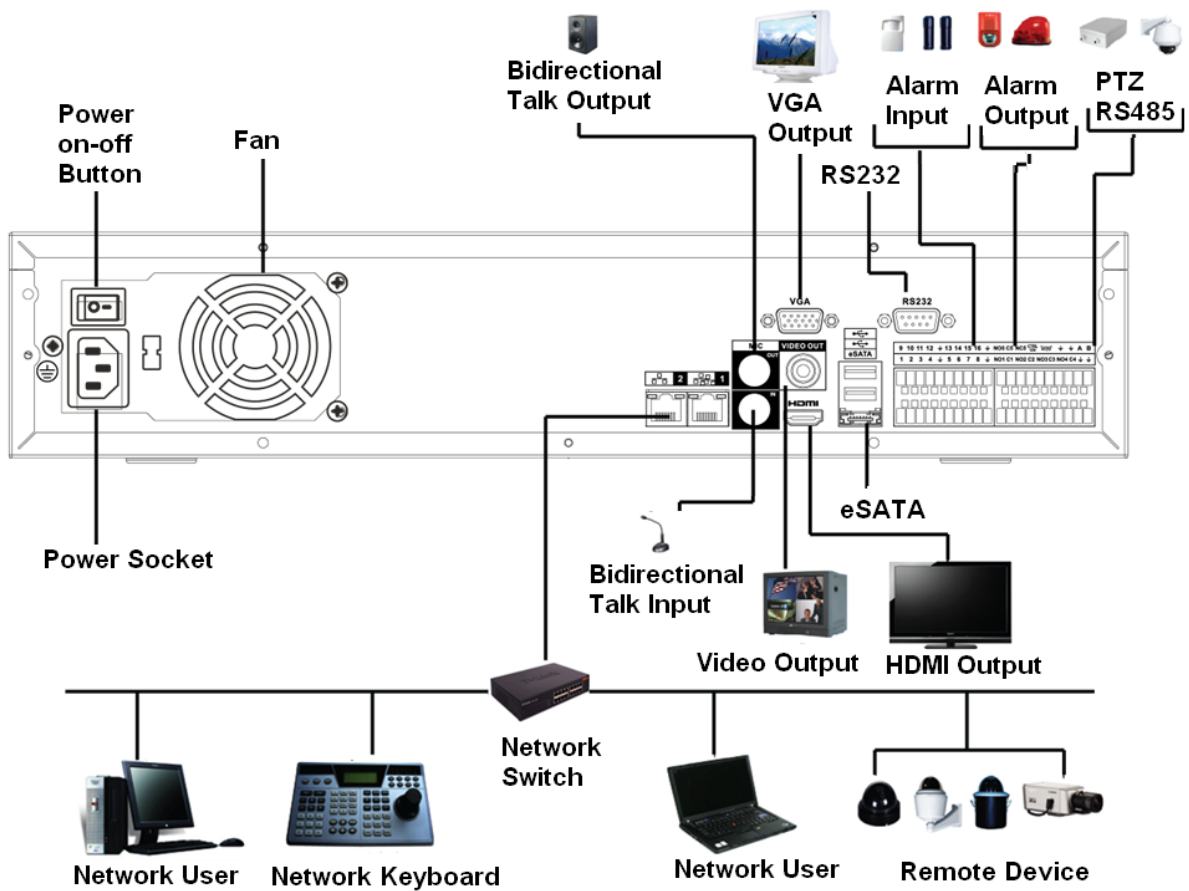


Figure 3

Connect the device to the monitor and then connect a mouse and power cable. Click the power button at the rear panel and then boot up the device to view the video output. You can use the mouse to implement some GUI operation.

Login

After device booted up, the system goes to startup wizard interface. See Figure

Click Cancel or Next Step button, you can see system goes to login interface.

Tips

- Check the box Startup button here, system goes to startup wizard again when it boots up the next time.
- Cancel the Startup button, system goes to the login interface directly when it boots up the next time.



Figure 4

Click Cancel button or Next Step, you can see the login interface. Please input user name and password. See Figure .

System consists of one account:

Username: admin. Password: admin.

You can use USB mouse to input. Click **123** to switch between numeral, English character (small/capitalized) and denotation.



Figure 5

Note

For security reason, please modify password after you first login.

Within 30 minutes, three times login failure will result in system alarm and five times login failure will result in account lock!

Remote Device

From Main menu->Setting->Camera->Remote device or right click mouse on the preview interface and then select remote device item, you can see the following interface. See Figure .



Figure 6

Tips

In the preview interface, for the channel of no IPC connection, you can click the icon "+" in the centre of the interface to quickly go to the Remote Device interface. See Figure .



Figure 7

Click Device Search button, you can view the searched IP addresses at the top pane of the interface.

Double click an IP address or check one IP address and then click Add button, you can add current device to the bottom pane of the interface. System supports batch add function.

Click Manual Add button, you can add a device directly. See Figure .

Note

Please note the manual add function is for Holis, Dahua, Panasonic, Sony, Dynacolor, Samsung, AXIS, Arecont, ONVIF and custom. When the type is the custom, you can just input URL address, user name and password connect to the network camera without considering network camera manufacture. Please contact your network camera manufacturer for the URL address.

A screenshot of a 'Manual Add' dialog box. The dialog has a title bar with the text 'Manual Add'. Below the title bar, there are several input fields:

- Channel: A dropdown menu with '4' selected.
- Manufacturer: A dropdown menu with 'Private' selected.
- IP Address: A text input field containing '192.168.0.0'.
- TCP Port: A text input field containing '37777'.
- Username: A text input field containing 'admin'.
- Password: A text input field with five dots representing masked characters.
- Decoder Buffer: A text input field containing '280' followed by 'ms'.
- Remote Channel No.: A text input field containing '1'.

At the bottom of the dialog, there are two buttons: 'Save' and 'Cancel'.

Figure 8

Schedule

Note

You need to have proper rights to implement the following operations. Please make sure the HDDs have been properly installed.



After the system booted up, it is in default 24-hour regular mode. You can set record type and time in schedule interface.

In the main menu, from Main menu->Setting->Storage->Schedule, you can go to schedule menu. See Figure . There are total six periods.

Please note you need to go to Main menu->Setting->System->General->Holiday to set holiday date first, otherwise, there is no holiday setup item.

Channel: Please select the channel number first. You can select "all" if you want to set for the whole channels.



: Sync connection icon. Select icon  of several dates, all checked items can be edited or together. Now the icon is shown as .



: Click it to delete a record type from one period.

Record Type: Please check the box to select corresponding record type. There are four types: Regular/MD (motion detect)/Alarm/MD&Alarm.

Week day: There are eight options: ranges from Saturday to Sunday and all.

Holiday: It is to set holiday setup. Please note you need to go to the General interface (Main Menu->Setting->System->General) to add holiday first. Otherwise you can not see this item.

Pre-record: System can pre-record the video before the event occurs into the file. The value ranges from 1 to 30 seconds depending on the bit stream.


Redundancy: System supports redundancy backup function. It allows you backup recorded file in two disks. You can highlight Redundancy button to activate this function. Please note, before enable this function, please set at least one HDD as redundant. (Main menu->Setting->Storage->HDD Manager).

Note

This function is null if there is only one HDD.

ANR: It is to save video to the SD card of the network camera in case the network connection fails. The value ranges from 0s~43200s. After the network connection resumed, the system can get the video from the SD card and there is no risk of record loss.



Period setup: Click button  after one date or a holiday, you can see an interface shown as in Figure . There are four record types: regular, motion detection (MD), Alarm, MD & alarm.

Please following the steps listed below to draw the period manually.

Select a channel you want to set. See Figure .



Figure 9

Set record type. See Figure .



Figure 10

Please draw manually to set record period. There are six periods in one day. See Figure .



Figure 11

Please check the box to select the corresponding function. After completing all the setups please click save button, system goes back to the previous menu.

There are color bars for your reference. Green color stands for regular recording, yellow color stands for motion detection and red color stands for alarm recording. The white means the MD and alarm record is valid. Once you have set to record when the MD and alarm occurs, system will not record neither motion detect occurs nor the alarm occurs.

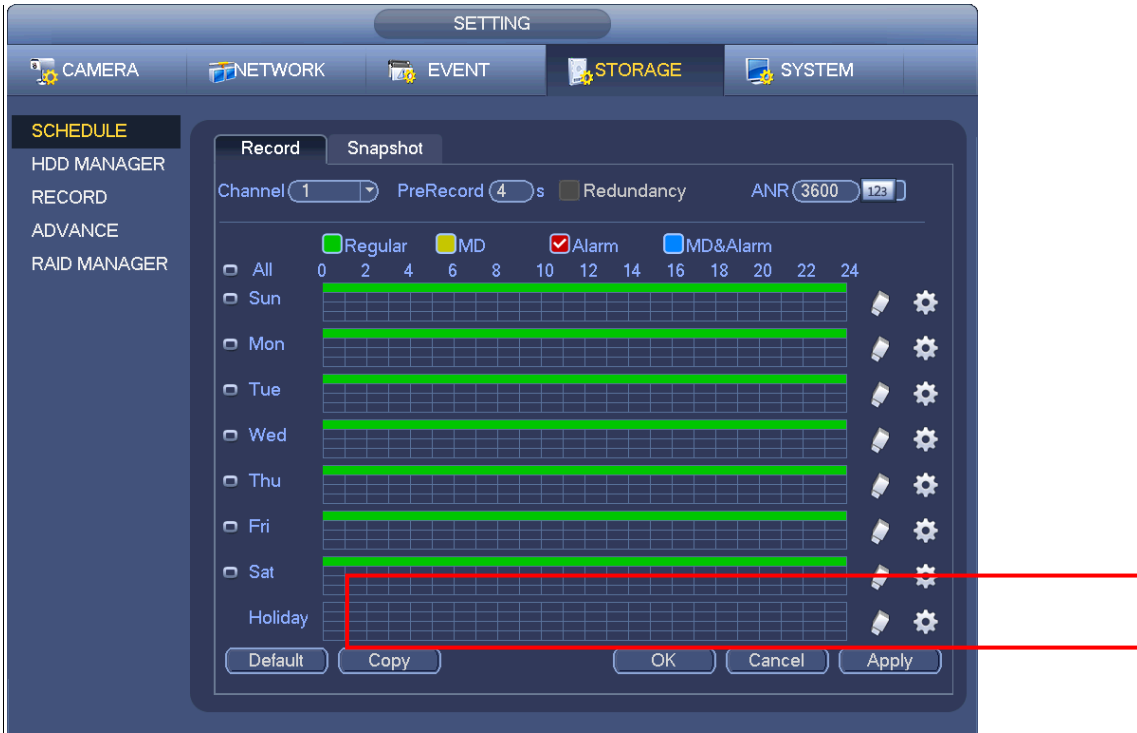


Figure 12

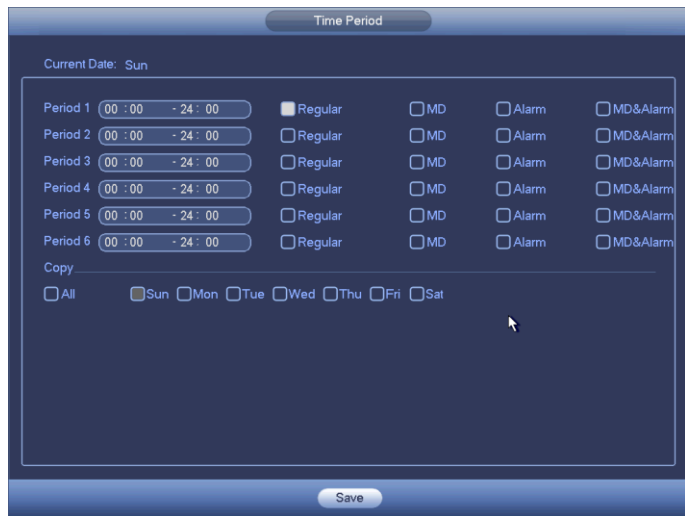


Figure 13

Real time Playback

Preview control interface

Move your mouse to the top centre of the video of current channel, you can see system pops up the preview control interface. See Figure . If your mouse stays in this area for more than 6 seconds and has no operation, the control bar automatically hides.

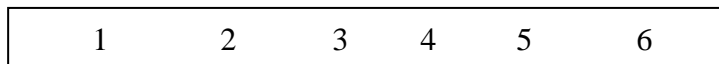




Figure 14

SN	Name	SN	Name	SN	Name
1	Realtime playback	2	Digital zoom	3	Manual record
4	Manual Snapshot	5	Bidirectional talk	6	Remote device

Realtime playback button is to playback the previous 5-60 minutes record of current channel.

Please go to the Main Menu->Setting->System->General to set real-time playback time.

System may pop up a dialogue box if there is no such record in current channel.

Note

Slightly difference may be found in the interface due to different series.

The following operation is based 32-channel series product.

This series NVR product support the Web access and management via PC.

Web includes several modules: Monitor channel preview, record search, alarm setup, system configuration, PTZ control, monitor window and etc.

Network Connection

Before web client operation, please check the following items:

- Network connection is correct
- NVR and PC network setup is right. Please refer to network setup(main menu->setting->network)
- Use order ping `***.***.***.***`(* NVR IP address) to check connection is OK or not. Usually the return TTL value should be less than 255.
- Open the IE and then input NVR IP address.
- System can automatically download latest web control and the new version can overwrite the previous one.
- If you want to un-install the web control, please run `uninstall webrec2.0.bat`. Or you can go to `C:\Program Files\webrec` to remove single folder. Please note, before you un-install, please close all web pages, otherwise the un-installation might result in error.
- Current series product supports various browsers such as Safari, firebox browser, Google browser. Device only support 1-channel monitor on the Apple PC.

About PoE address setup, operation and allocation.

1. Insert PoE

After you insert PoE, device may try to set a corresponding IP address of the Switch network adapter. First, system tries to set via arp ping. It then uses DHCP if it finds the DHCP is enabled. After successfully set IP address, system may use Switch to send out broadcast, system thinks the connection is OK when there is any response. Now system is trying to login the newly found IPC. Now please check the interface, you can see the corresponding digital channel is active now. You can see a small PoE icon at the top left corner. You can see the PoE channel, PoE port information and etc from the connection list of the remote device interface (Chapter 5.6.11 in the User's Manual). For the IP search list, you need to click the IP search to display or refresh.

2. Remove PoE

After you removed PoE, you can see the corresponding digital channel becomes idle (disable). On the remote device interface, it is removed from the connected list. For the IP search list, you need to click the IP search to refresh.

3. After you insert PoE, system follows the principles listed below to map channel.
 - a) If it is your first time to insert PoE, system can map it to the first idle channel. After map, the channel can memorize the MAC address of the IPC. It is a <Channel>---<IPC mac> map. If current channel does not connect to other device, system can memorize current MAC address, otherwise it can refresh to the newly added device and memorize the <PoE port>---<Channel>.
 - b) If it is your second time to insert the PoE, system can check the saved MAC address according to <Channel>---<IPC mac> map to make sure current IPC has connected or not. If system finds the previous information and the channel is idle, system can map it to the previously used channel. Otherwise system goes to the next step.
 - c) Thirdly, according to the <PoE port>---<Channel> map, system can know the previous mapping channel of current PoE port. System can select current channel if it is free. Otherwise, it goes to the next step:
 - d) Fourthly, system goes to find the first idle channel it can get.

Generally speaking, once you insert PoE, system follow the steps listed above to find the channel available.

4. When you insert PoE, all channels are in use now.

System can pop up a dialogue box for you to select a channel to overwrite. The title of the pop-up interface is the name of the current operation PoE port. In this interface, All PoE channel become grey and can not select.

Login

Open IE and input NVR address in the address column. For example, if your NVR IP is 10.10.3.16, then please input http:// 10.10.3.16 in IE address column.

System pops up warning information to ask you whether install webrec.cab control or not. Please click yes button.

If you can't download the ActiveX file, please modify your IE security setup.

After installation, the interface is shown as below. See Figure .

Please input your user name and password.

Default factory name is **admin** and password is **admin**.

Note:

For security reasons, please modify your password after you first login.



Figure 15

Main Window

LAN Login

For the LAN mode, after you logged in, you can see the main window. See Figure .

Click the channel name on the left side; you can view the real-time video.

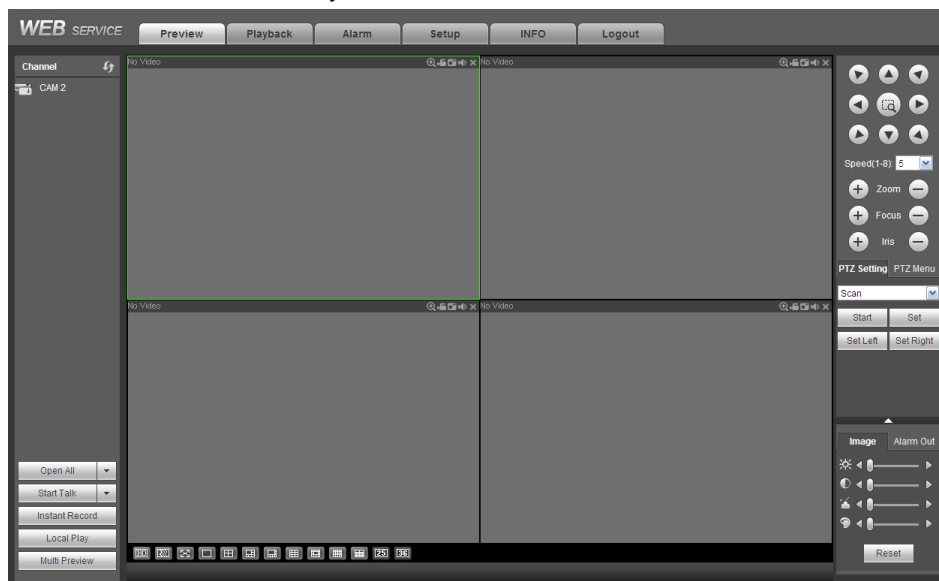


Figure 16

WAN Login

In WAN mode, after you logged in, the interface is shown as below. See Figure .



Figure 17

For detailed operation information, please refer to the User Manual included in the resources CD.

Appendix Toxic or Hazardous Materials or Elements

Component Name	Toxic or Hazardous Materials or Elements					
	Pb	Hg	Cd	Cr VI	PBB	PBDE
Sheet Metal(Case)	○	○	○	○	○	○
Plastic Parts (Panel)	○	○	○	○	○	○
Circuit Board	○	○	○	○	○	○
Fastener	○	○	○	○	○	○
Wire and Cable/AC Adapter	○	○	○	○	○	○
Packing Material	○	○	○	○	○	○
Accessories	○	○	○	○	○	○

O: Indicates that the concentration of the hazardous substance in all homogeneous materials in the parts is below the relevant threshold of the SJ/T11363-2006 standard.

X: Indicates that the concentration of the hazardous substance of at least one of all homogeneous materials in the parts is above the relevant threshold of the SJ/T11363-2006 standard. During the environmental-friendly use period (EFUP) period, the toxic or hazardous substance or elements contained in products will

not leak or mutate so that the use of these (substances or elements) will not result in any severe environmental pollution, any bodily injury or damage to any assets. The consumer is not authorized to process such kind of substances or elements, please return to the corresponding local authorities to process according to your local government statutes.

Note

-
- For detailed operation introduction, please refer to our resource CD included in your package for electronic version of the User's Manual.
 - Slight difference may be found in user interface.
 - All the designs and software here are subject to change without prior written notice.
 - All trademarks and registered trademarks are the properties of their respective owners.
 - If there is any uncertainty or controversy, please refer to the final explanation of us.
 - Please visit our website or contact your local service engineer for more information.
-