

MAXITHERM

HIGH PERFORMANCE

INDIRECT
WATER HEATER



THE HYDRONICS
INSTITUTE

*Certified
Ratings*

Performance
independently
certified by
The Hydronics
Institute



CROWN

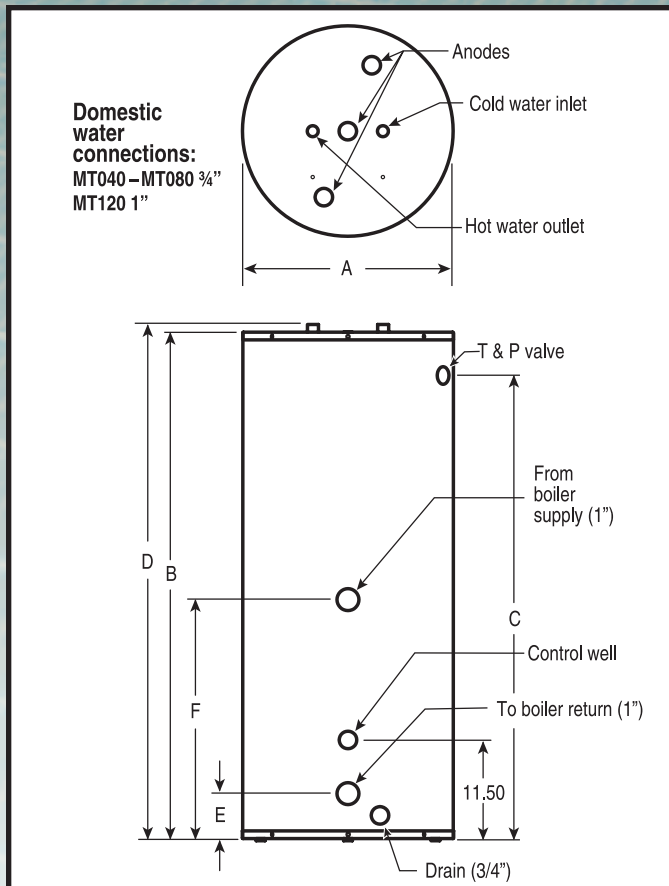
- Abundant domestic hot water
- 2-inch CFC-free foam insulation
- Appliance grade steel jacket
- T&P relief valve included
- Brass drain valve
- Porcelain enamel coated smooth coil design with low pressure drop
- Porcelain enamel tank with three sacrificial anode rods for maximum corrosion resistance
- Honeywell adjustable aquastat
- Fully tested for a maximum working pressure of 150 psi

MAXI-THERM

**HIGH PERFORMANCE
INDIRECT
WATER HEATER**

SPECIFICATIONS & DIMENSIONS

GENERAL CONFIGURATION



AVAILABLE FROM

PERFORMANCE SPECIFICATIONS

Hydronics Institute Tested performance ratings	Model				
	MT040GBR	MT050GBR	MT065GBR	MT080GBR	MT120GBC
First Hour Rating (Gal/hr)	188	193	204	221	408
Cont. Draw Rating (Gal/hr)	162	162	162	162	325
Standby Heat Loss (F/hr)	1.0	0.9	0.8	0.8	0.7
Min. Boiler Output (BTU/hr)	106,000	106,000	106,000	106,000	212,000
Boiler Water Flow (Gal/min)	8.0	8.0	8.0	8.0	10.6
Coil Head Loss (ft w.c.)	1.6	1.6	1.6	1.6	3.0



Performance independently certified by
The Hydronics Institute

Notes:

- 1) Ratings based upon the following conditions: 180°F boiler supply, 58°F cold water in, 135°F domestic water out.
- 2) The ratings shown were obtained at the heat source output rates and heat source flow rates shown in the chart above. Other results will be obtained under different conditions.
- 3) I=B=R certification applies only to the ratings in the chart above.

OTHER SPECIFICATIONS

	Model				
	MT040GBR	MT050GBR	MT065GBR	MT080GBR	MT120GBC
Coil Surface (sq. ft.)	14.2	14.2	14.2	14.2	27.2
Tank Volume (Gal)	40	50	60	75	114
Net Weight (lbs)	168	196	196	224	415
Filled Weight (lbs)	514	623	704	861	1370

DIMENSIONS (INCHES)

Model	A	B	C	D	E	F
MT040GBR	24	36	29-3/4	36-3/4	5-3/8	27-1/2
MT050GBR	26	36	29-3/4	36-3/4	5-3/8	27-1/2
MT065GBR	22	59-1/4	53-1/8	60	5-3/8	27-1/2
MT080GBR	24	59	52-7/8	59-3/4	5-3/8	27-1/2
MT120GBC	28-1/4	62-1/2	55-3/4	63-1/4	6-3/8	48-3/4

CROWN Boiler Co.

Since 1949, homeowners have depended on us for quality, value and service

3633 I Street, P. O. Box 14818
Philadelphia, PA 19134
Phone: (215) 535-8900 Fax: (215) 535-9736
Visit us on the web: www.crownboiler.com