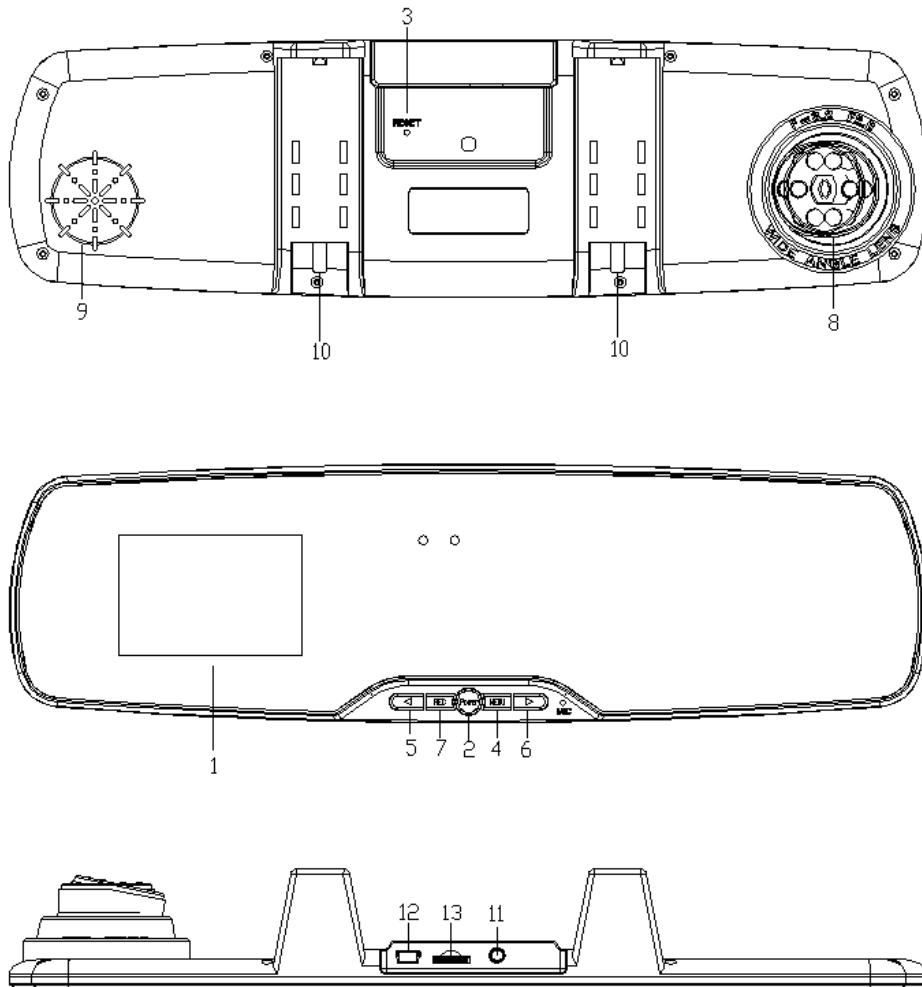




## E330 User Manual

### Introduction of function keys



- 1.2.7inch screen
- 2.Power Button
- 3.Reset
- 4.Menu Button
- 5.UP Button
- 6.Down Button
- 7.Record Button

- 8.Lens
- 9.MIC
- 10.Pinchcock
- 11.AV Output
- 12.USB Port
- 13. Micro SD card slot

**Accessories:** USB cable, USB car charger ,AV output cable

**Description of function of Keys :**

- 1) 2.7 inch Screen  
Display recording video
- 2) Power Button  
Long press to ON/OFF device  
Press once to switch to video recording mode, picture mode and playback mode
- 3) Reset  
Press and hold 10s with power connected to reset device
- 4) Menu Button  
Press one to enter into first page of menu  
Press twice to enter into second page of menu
- 5) Up Button  
Move up to select the function keys in menu option;  
Zoom in in standby or recording mode;
- 6) Down Button  
Move down to select the function keys in menu options;  
Zoom out in standby or recording mode;
- 7) Record Button  
Confirm button under menu option  
ON/OFF video recording under recording mode  
Take Photo under picture mode
- 8) Lens  
Used to record video
- 9) MIC  
Used to record sound
- 10) Pinchcock  
Used to hock on existing rear view mirror
- 11) AV-OUT  
Support component video output
- 12) USB data interface  
Connect PC to transfer data;

Connect external power source(Cigarette Lighter / 5v Battery) to supply power;

- 13) Micro SD Card Slot  
Insert and Eject SD Card (Please use Micro SD Card Class 4 and above)

## **Operation:**

- **Resolution**  
Recommend resolution: 1080FHD 1920x1080  
720P 1280x720
- **Loop Recording**  
Select the length of each video clip: 1min, 3mins, 5mins  
  
No video gap between two video file, system will auto delete the earliest file when SD card recorded full
- **EV**  
Exposure, Recommend to leave it default +0.0
- **Motion Detection**  
Off this setting for recording while normal driving  
On this setting for Parking Recording
- **Audio**  
ON: Record audio while video recording  
OFF: Record video only, no audio
- **Date Stamp**  
ON: Show date stamp on recorded video  
OFF: No date stamp on recorded video
- **G-Sensor**  
Lock recording file when emergency break or car crash happened, system will not delete this file automatically. (Note: Do not the G-sensor setting too sensitive)
- **Button Sound**  
System button sound
- **Set Date/Time**  
Set system Date and Time(One time only, built-in battery will keep to setting)

- **Auto Power Off**  
Power off device when device idle after certain time(2mins, 5mins, 10mins)
- **Language**  
Support English, French, Spanish, Portuguese, German, Italian, Chinese Simplify, Chinese Traditional, Russian, Japanese, Korean
- **TV Mode**  
Video output mode: PAL/NTSC (Normally choose PAL)
- **Light Frequency**  
50Hz or 60Hz, recommend 50Hz
- **Screen Savers**  
Off the screen after certain timing(1min,3mins,5mins), but device still recording. Press any button to get back to normal screen display
- **Light Setting**  
ON/OFF night vision
- **Image Rotate**  
Rotate image as user need
- **Format**  
Format SD card (For the 1st time using, please format the SD card first)
- **Default Setting**  
Set device back to system default
- **Firmware Version**  
Display system firmware version

## **USB mode:**

Connect the device to PC, press “power on” button, the machine will automatically show USB menu as below:

USB-Disk : In this mode you can access video files or photo files

## Battery instruction:

- Battery indication image:



- **Products specifications:**

|                          |   |
|--------------------------|---|
| Scheme                   | NOVATEK 93250   |
| Pixel                    | 3 Megapixel(Full HD 1080P)  |
| Lens                     | EI827   |
| Resolution               | Max 1920*1080/30fps<br>1280*720/30fps   |
| G-sensor                 | Support   |
| Display                  | 2.7 inch 4:3 960*240  |
| View angle               | 120 degrees   |
| Loop recording           | Support   |
| Temp-Park Motion Record  | N.A   |
| Motion Detection         | Support   |
| IR night vision          | Support   |
| Date stamp               | Support   |
| Compressing format       | MJPEG   |
| Memory card              | Micro SD Card (Max 32GB)  |
| Power interface          | DC:5V-1A  |
| Battery                  | Built-in 400 mAh  |
| Output                   | AV-OUT  |
| Audio                    | Video/Audio sync. Recording / mute  |
| Microphone               | Support   |
| Built-in Sound Equipment | Support   |
| Current frequency        | 50/60Hz   |
| Language                 | English, French, Spanish, Portuguese, German, Italian, Chinese Simplify, Chinese Traditional, Russian, Japanese, Korean |
| Operation Temp           | -10°C ~ 70°C  |
| Products size            | 97*58*27mm  |
| Accessories              | Cigarette charger / USB Data Cable / AV-Output Cable / Color box  |