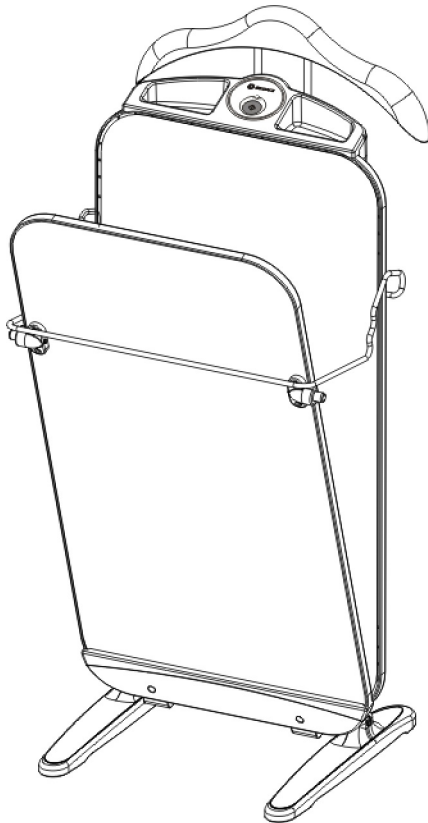




PANT PRESS USER MANUAL



Model: F3

IMPORTANT SAFEGUARDS

When using an electric appliance, basic precautions should always be followed, including the following:

WARNING: DANGER OF SCALDING

Read all instructions before using this pant press to reduce the risk of fire, electric shock, or injury.

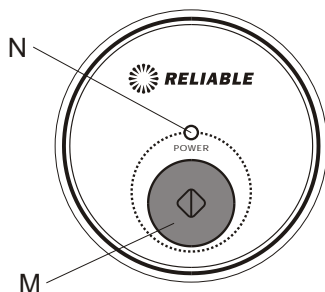
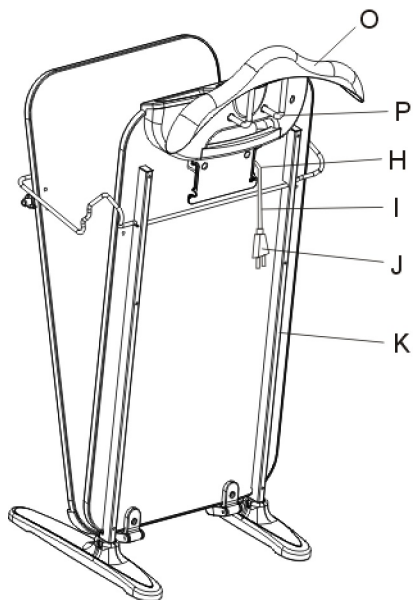
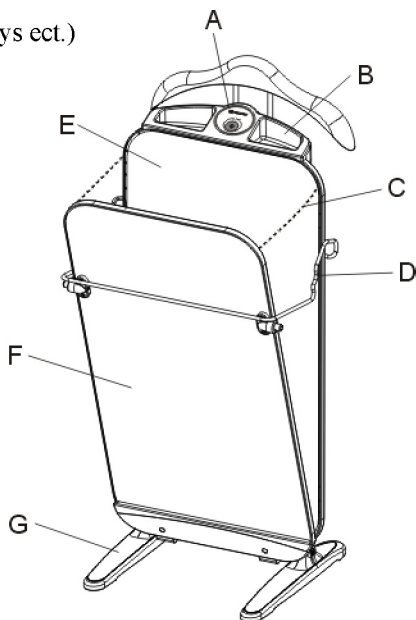
This product is designed for domestic use only.

- ⌘ Do not use outdoors.
- ⌘ Do not leave your pants press unattended while switched on. Turn off the switch and unplug the electrical cord when not in use. To unplug, grasp the plug, not the cord.
- ⌘ Do not allow the pants press to be used as a toy. Close attention is necessary when used near children, pets or plants.
- ⌘ The appliance is not intended for use by any children or infirm persons without supervision.
- ⌘ Children should be supervised to ensure that they do not play with the appliance.
- ⌘ Do not immerse the pant press into water or other liquids.
- ⌘ Do not use with damaged cord or plug. If unit is not working as it should, has been dropped, damaged, left outdoors, or immersed into liquid, contact a licensed service technician for assistance.
- ⌘ Do not pull or carry by cord, use cord as a handle, close a door on the cord, or pull cord around sharp edges or corners. Keep cord away from heated surfaces.
- ⌘ Do not use extension cords or outlets with inadequate current carrying capacity.
- ⌘ Do not handle or use this unit while hands are wet.
- ⌘ Use only as described in this manual. Operating unit in any way other than recommended may result in damage to unit or injury to operator.
- ⌘ Do not disassemble unit or attempt to make any repairs yourself. Incorrect assembly or repair could result in a risk of fire, electric shock, or injury to persons when operating.
- ⌘ Store your pant press in a cool, dry place. Allow unit to cool completely, and loop power cord loosely around unit before storing.

SAVE THESE INSTRUCTIONS

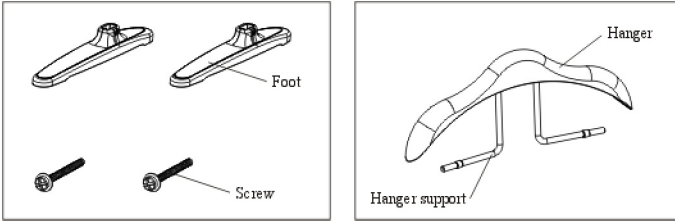
F3 pant press product information

- A. Control panel
- B. Storage for personal items (cuff link, keys ect.)
- C. Safety chain
- D. Press board bar
- E. Press board
- F. Front pressing plate
- G. Foot
- H. Cord wrap
- I. Cord
- J. Plug
- K. Support
- L. Fabric button
- M. Power/Start button
- N. Indication Light
- O. Coat hanger
- P. Hanger support

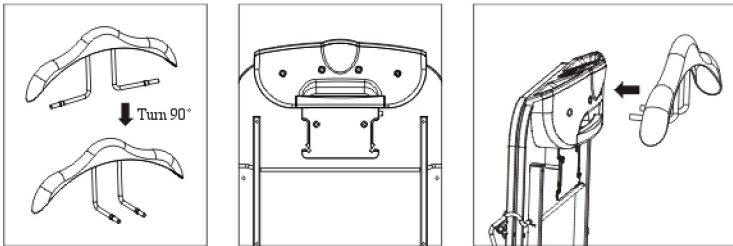
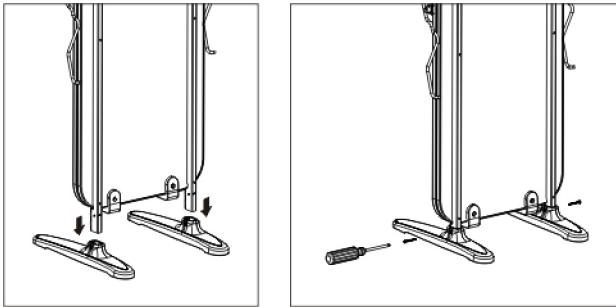


ASSEMBLY INSTRUCTIONS

Accessories



- A. Attach the support to the feet.
- B. Insert the attached screws into each hole in the feet, and tighten them securely with a screwdriver.

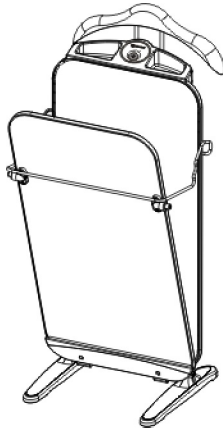


- C. Turn chrome supports 90° so that when you view the hanger from the back they point away.
- D. Push the hanger with supports into the back of the panel as illustrated. (Note this will require firm pressure)

Operating Instructions

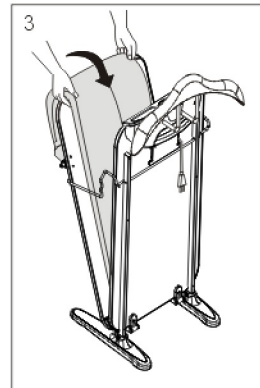
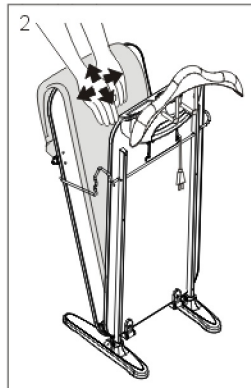
A. To open the front pressing plate

Slowly pull the press board bar to open the front pressing plate. The press board bar will hold the front pressing plate in the **open** position.



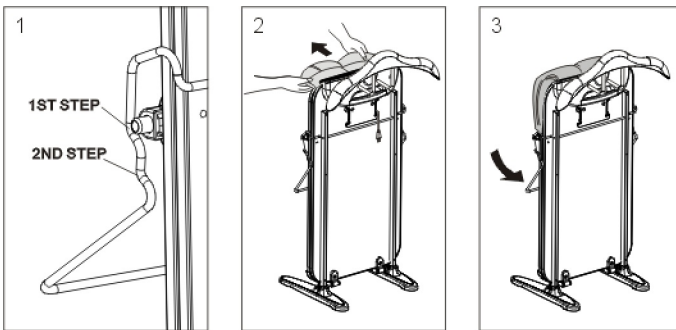
B. How to insert the pants

1. Place the cuffs or bottom legs of the trousers as far down as possible between the front pressing plate and the press board. The waistline of the pants should be hung over top edge of the front pressing plate.
2. Tidy up the slack of pants.
3. Make sure to place the pants in the middle of the front pressing plate, with the side seam (as indicated in Figure 3.) aligned with the groove (in the padding - figure not shown) in the front pressing plate.

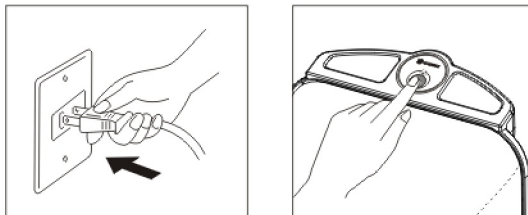


C. To close the front pressing plate

1. Pull the press board bar to the 2nd step (1st step is for thick trousers or pants).
 2. Hold the waistline of the pants and gently pull upwards. This will smooth out any wrinkles and ensure that the trousers are lying flat between the front pressing plate and press board.
 3. Pull the press board bar down firmly until the front pressing plate is fully locked into the **closed** position.
- * Pull the pants upwards once again.



D. Plug the cord into the power socket. The power indicator light will illuminate, and the press will start automatically.



E. The press will automatically shut off when the job is completed, and the power indicator light will also go off. To restart the pressing, press the "on" button, the power indicator light will illuminate again and start the pressing cycle.

TROUBLESHOOTING GUIDE

Below is a chart detailing the most common problems, their causes and solutions. Prior to troubleshooting, isolate the unit by removing the cord from the power socket.

PROBLEM	CAUSE	SOLUTION
Unit fails to operate properly.	Unit is not plugged in. Unit is damaged or malfunctioning.	Plug into electric socket and make sure the power Indicator light is on. please contact a licensed technician.
Unit fails to heat up.	Unit is not plugged in. The press board has been damaged or is malfunctioning.	Plug into electric socket. Immediately stop use and let the unit cool down completely. Contact a licensed technician.

www.reliablecorporation.com