

USER MANUAL

KINGKRAFT CONTOUR BATH

Model.....

Serial No.....

Delivery/installation date.....

IMPORTANT SAFETY INSTRUCTIONS

Please read these instructions carefully before first using your Kingkraft product, and then keep them safely for future reference. Please also make sure that each person and any carer who uses the bath is also aware of their contents and follows the instructions each time they use the unit.



CM - ISSUE 1 - 02/04

 **Kingkraft**

CONTENTS

KINGKRAFT CONTOUR BATH

IMPORTANT SAFETY INSTRUCTIONS

GENERAL DESCRIPTION

BATHER SUPPORT SYSTEMS

OPERATING INSTRUCTIONS

LIFTING FRAME OPERATIONS

BASIC ELECTRICAL CIRCUITS ON BATH

WHIRLPOOL HYDROTHERAPY SYSTEM

INSTALLATION

MAINTENANCE

RECORD OF UNIT MAINTENANCE

**RECORD OF MAINTENANCE OF THERMOSTATIC MIXER
VALVE**

BATH MARKINGS

GUARANTEE DETAILS

MIXER VALVES SPECIFICATIONS

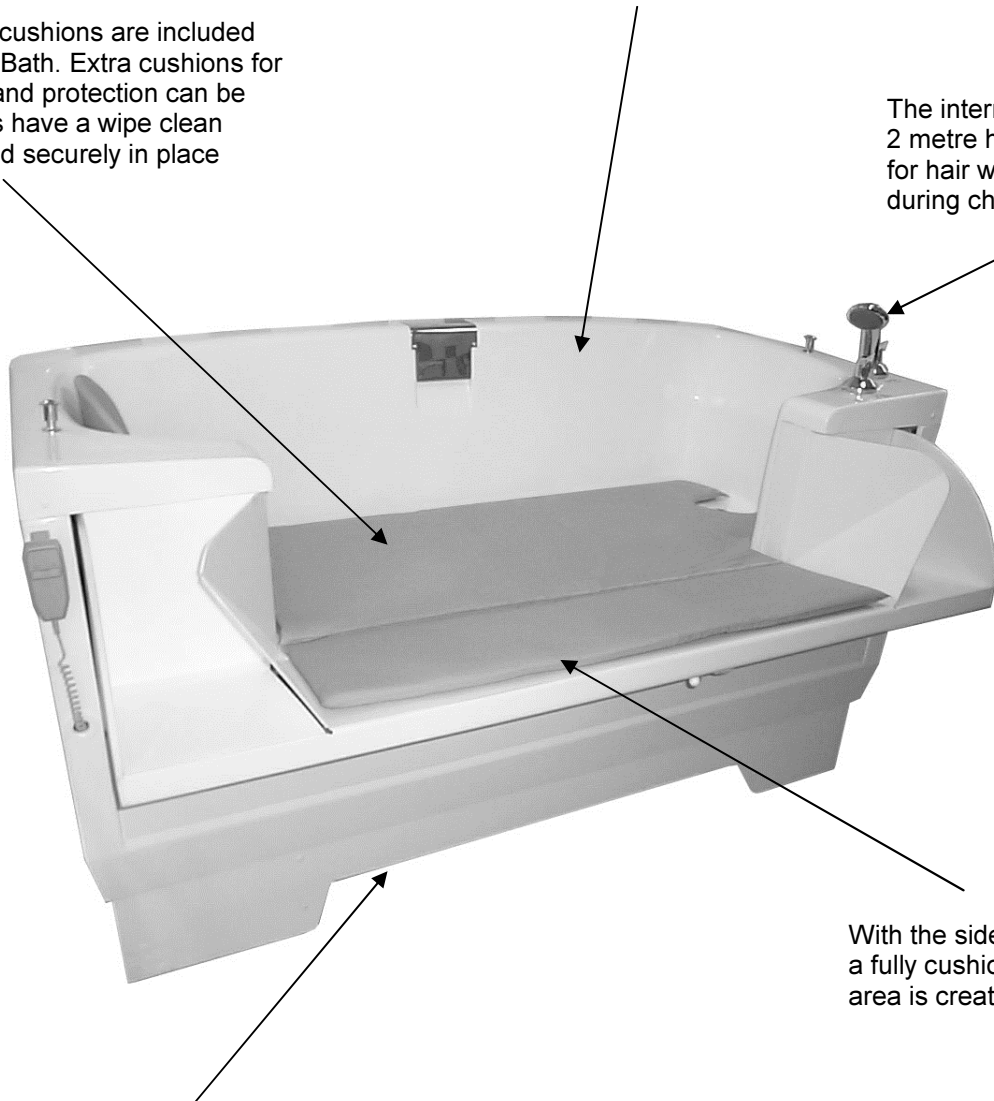
KINGKRAFT CONTOUR BATH

(Variable Height Version Shown)

Base and fold side cushions are included with every Contour Bath. Extra cushions for additional comfort and protection can be fitted. The cushions have a wipe clean surface and are held securely in place

Hygienic, easy to clean surfaces

The internal shower has a 2 metre hose to extend for hair washing or rinsing during changing.



With the side down, a fully cushioned area is created.

A choice of either a powered raise / lower system or fixed height frame are available for the Contour Bath.

IMPORTANT SAFETY INSTRUCTIONS



WARNING: Any person who is incapable of fully helping themselves must NEVER be left alone in the bath even for the shortest of periods.

This manual contains information for all standard versions of the Kingkraft Contour Bath. Special design baths manufactured by Kingkraft may differ to those described herein. Separate instructions for these models may be required. Please consult Kingkraft Ltd. These instructions also cover the fixed height and powered raise/lower versions of the Contour and also the whirlpool hydrotherapy system. Please make sure you read all the sections relevant to your particular model of bath.

If you have any doubt about the safe operation of the bath please contact Kingkraft immediately for advice.

- Do not stand in the bath when it is in the raised position or at any other time
- Kingkraft products are intended for domestic and commercial use only.
- Kingkraft baths are intended only for lifting and bathing people.
- Do not exceed the maximum loading marked on the unit. Do not overload the fold side when open. There is a danger of tipping.
- Only one person should be in the unit at any one time.
- If fitted, the raise/lower control handset is waterproof but should not be put into the bath water. However, if it is accidentally dropped remove it immediately and wipe dry. Do not leave the handset underwater.

Note that UK regulations require that, in general, no person should lift a mass of greater than 25kg unaided. Use appropriate lifting equipment if this is required to help disabled people to get in and out of the unit.

Your bath must be installed by competent installers. If you have to move or re-install the bath for any reason, please take care to read the requirements given in the installation section below. Contact Kingkraft for advice if you need any further information or assistance.

Your Kingkraft bath should be serviced at least once per year by a competent individual. The bath and the whirlpool (if fitted) must be cleaned and disinfected regularly according to the instructions given herein.

Ensure that the safety notices which accompany your bath are properly displayed at all times. Make sure they are replaced if they become damaged or defaced. Contact Kingkraft if you need further supplies of laminated notices.

Your Kingkraft product is manufactured using top quality components and assemblies. In particular, in order to minimise the risk of scalding, a special type of Thermostatic Mixer Valve (TMV) is fitted between your hot water supply and the shower and bath inlets. The operation of these TMV's should be regularly checked, especially after any maintenance. See the section below on maintenance of your unit for further instructions. The safe temperature of the mixed water must be checked prior to bathing on each occasion – see section of filling the bath.

Your bath should only be used if any powered equipment on it (eg. Whirlpool, raise/lower system etc.) is connected to a suitable power supply protected by an earth leakage circuit breaker. Test the earth leakage circuit breaker which supplies power to your bath regularly (at least once a week), and if you are in any doubt about its operation, consult a qualified electrician before using the bath.



WARNING

RISK OF SCALDING

Although safety devices are fitted to minimise any risk of scalding, users must be aware that these are not fail safe. The temperature of the water in the unit **MUST BE INDEPENDENTLY VERIFIED ON EVERY OCCASION** it is used and before an incapacitated person comes into contact with the water. Ideally a calibrated thermometer should be used.

Refer immediately to the manufacturer if the water is too cold or too hot and do not use the bath until the problem is corrected.

Certain bath additives may damage the plastic, if they contain bleach or other corrosives, from which your product is made. Use only water, normal soaps and approved cleaning agents. If in doubt, please contact Kingkraft for advice about the suitability of the additives you wish to use.

Under no circumstances must acid or bleach based cleaners be used. To do so invalidates your guarantee. We recommend that your Kingkraft Bath should be cleaned with Trigene® which is available from us. See the section on cleaning below for instructions on how to safely and completely clean your unit.

If your unit has any electrical controls, switch off the supply at the wall isolator (mains units) or disconnect and remove the battery pack (battery units) before attempting any maintenance, including cleaning.

Do not use pressurised water jets to clean the bath chassis and keep water jets away from the controls, pumps and the bath chassis when cleaning around the bath. Do not steam clean.

If your Contour is fitted with a whirlpool hydrotherapy system, use only low foaming bath additives. Normal bubble baths will froth excessively with whirlpools and must not be used.

Do not attempt maintenance unless the bath is empty.

Check the Contour frequently for damage, especially the mains cord. If you find signs of damage, do not use the bath and contact Kingkraft as soon as possible to arrange for service and repair.

Load Bearing Side:

There is a danger of tipping

Please take care to avoid if possible, sitting on the edge of the fold side when open.

GENERAL DESCRIPTION

Bathing should be a relaxing and enjoyable process. Your Kingkraft product has been developed over a number of years and is specifically designed to be "User and Carer Friendly".

The Contour is designed primarily as an assisted bathing bath incorporating a unique fold-down side for easy access and variable height to help reduce carer fatigue.

The fold side also allows the Contour to be used as a general purpose changing table and a shower platform. Bathers can be undressed on the platform prior to bathing and also dried and dressed afterwards, thus minimising moving and handling.

The folding side is load bearing, although when open, users and carers must place themselves as far towards the bath base as possible to avoid tipping. On the variable height model, it is set at wheelchair height when the bath is at its lowest level. This allows direct transfer to and from a wheelchair. The Fixed height model should be installed at a height pre-determined by the customer.

The Contour is designed to be used in conjunction with most types of mobile and over head track hoist systems.

The variable height adjustment allows the Contour to be raised to working heights suitable for most carers, which minimises the risk of back-strain and fatigue.

(The Contour can also be supplied on special request with the controls positioned conveniently for the bather to use themselves if there is a sufficient degree of independence).

For positioning and supporting bathers, Kingkraft produce a range of quickly interchangeable inserts and supports to cater for a variety of different users. Details can be supplied by Kingkraft.

The maximum bath and shower water temperature are pre-set and regulated by thermostatic mixer valves, incorporating over -temperature shutdown protection. As an option, variable temperature wall mounted mixer valves may be supplied.

Also enclosed with this manual is a waterproofed Operating and Cleaning instruction sheet for wall fixing adjacent to your Contour. Please ensure this is available for all users and that its contents are understood and the instructions are followed by all carers and users of the bath.

BATHER SUPPORT SYSTEMS

To ensure that the bathing process is as relaxing and enjoyable as possible whilst maintaining bather safety it is important that the correct use of bather supports is made.

Each bather's needs may be entirely different and an assessment should be undertaken for each user of the bath and the correct supports used. Kingkraft manufacture a range of standard and custom-built supports, some of which may have been supplied with this Contour bath. Their aim is to position the bather comfortably yet securely.

Some supports rely on suckers to hold them in position.

**SOME SUPPORTS ARE ATTACHED TO THE BASE OF THE BATH BY SUCKERS.
IN ALL CASES THESE SUCKERS SHOULD BE ATTACHED TO THE BATH ITSELF AND NOT TO
ANY OTHER MATTRESS OR SUPPORT.**

**THE USE OF SUCKERS IS DESIGNED TO ALLOW THE SUPPORT TO BE REMOVED. THIS ALSO
MEANS THAT THE SUPPORT MAY MOVE INADVERTANTLY IF SUBJECTED TO SUFFICIENT
FORCE BY THE USER. EXTREME CARE IS NEEDED TO ENSURE THE SUPPORTS ARE
CORRECTLY SPECIFIED AND USED.**

THE SUPPORTS WILL ALSO HAVE A TENDANCY TO FLOAT.

THE BATHER MUST NEVER BE LEFT UNATTENDED IN THE BATH.

**IF IN ANY DOUBT ABOUT THEIR SAFE USE, OR THE DEGREE OF SECURE SUPPORT
REQUIRED DO NOT ATTEMPT TO USE.
PLEASE CONTACT KINGKRAFT IMMEDIATELY FOR ADVICE**

OPERATING INSTRUCTIONS

Contour Bath -

To lower bath side

- Turn locking handle to unlocked position
- Turn opening handle
- Push the bath side down

To lift bath side

- Push or pull the bath side up
- Turn opening handle to closed position
- Turn locking handle to locked position

Bath mattress -

To secure mattress

- a) Ensure that the bath bottom and mattresses are clean
- b) Place mattress on bottom of bath
- c) Run a small amount of water into the bath
- d) Press the mattress firmly on to the bottom of the bath

When removing the mattress for cleaning take care that each sucker is prised carefully away from bottom of bath to avoid a tearing action.

The Bathing Process

First ensure that the fold-side is closed and locked. Before using the bath with the bather in position, the water should be turned on as described below and allowed to flow into the bath with the pop-up waste(s) open to allow the water to flow away. This process should be continued until the water temperature is perceived to be constant. This operation will allow the mixed water temperature to increase to the required level and permit the carer and/or user to check that the maximum temperature is safe prior to the bather entering the bath. If the water temperature does not achieve a comfortable level there may be a fault and the bath should not be used until the fault is rectified. Turn off the water, and allow any residual water in the bath to drain. If the temperature achieved was satisfactory, the bath is now ready for use. Close the pop-up waste(s) by operating the push-pull lever or the rotary turn knob depending on which type is fitted and open the fold-side (if required) to allow easy transfer into the bath of the bather. Close and lock the fold side once the bather is in position and safely held by any supports required.

To fill the bath

If the bath has been supplied with wall mounted adjustable mixer valves -

Turn the wall or panel-mounted control knob with the bath icon, in the direction indicated on the control, to increase the temperature of the water. To start the flow, turn the tap on the bath. This is designed to give a maximum temperature of 43deg.C when the valve control is fully turned. (If fitted, turn the control knob with bath icon at the end of the bath, allowing water to run to the desired depth).

If the temperature needs adjusting turn the knob on the wall-mounted unit in the opposite direction until the desired temperature is obtained - allowing time for the mixed water to run through the system.

If the bath has the pre-set temperature On-Board Valves, simply open the tap on the bath to start the flow.

REMEMBER: THE TEMPERATURE OF THE WATER MUST BE CHECKED ON EVERY OCCASION BEFORE A PERSON IS PLACED IN THE BATH.

Bath Spout

The Contour Bath has a water inlet positioned centrally on the side of the bath. When the bath tap is turned, water comes down the side of the bath behind the steel baffle plate.

To use hand shower unit

If the bath has been supplied with wall mounted adjustable mixer valves -

Turn wall or panel-mounted control knob with the shower icon to control water temperature and flow. The direction to increase/decrease temperature is shown on the mixer valve itself. The maximum temperature of the shower water is set less than that of the bath at 38 deg. C. The maximum temperature is reached when the knob is fully turned. If fitted, turn the control knob on end of the bath allowing water to run through the shower. Twist shower head to regulate spray properties as required.

If the bath has the pre-set temperature On-Board Valves, simply open the shower tap to start the flow.

Cleaning your bath

The Contour is made from moulded GRP & polypropylene plastic and requires only a very mild non-abrasive cleaning agent to keep it clean. Fitted backrests can be removed for cleaning. Other supports may simply be lifted clear.

Under no circumstances must acid or bleach based cleaners be used to clean this bath. To do so invalidates the guarantee

Kingkraft recommend that your Contour Bath should be cleaned with TRIGENE® which is available from Kingkraft in ready to use 500ml trigger sprays or concentrated in 1ltr. and 5ltr. sizes. Always follow the instructions of the Trigene containers.

A sample TR101 trigger spray may be included with a new bath

General cleaning / disinfection

- Use Trigene® trigger spray TR101 pre diluted to 1:10.
- As Trigene® is considered safe and non-corrosive it can be used on every area of the Contour and accessories. Trigene® presents no hazard to the user in normal use.
- Leave for five minutes before rinsing off.

Lifting-frame for raising and lowering the Contour

Kingkraft manufacture different models of lifting frame for the Contour: battery and mains powered. In addition a fixed height version is available. When the lifting frame is moving, the maximum load noise, 1 metre away, does not exceed 65 dBA. Please carefully read the instructions which apply to your model. Maximum working load is 130Kg, including water, patient, mattress and other accessories.

Battery Powered Frame models:

General

The battery powered system uses a 24 Volt rechargeable battery which drives a linear actuator. A removable battery is supplied with the system together with a wall mounted charger which is to be installed by a competent person in a safe dry area.

To operate the raise/lower function

Firstly check that the proposed operation will not cause damage to nearby equipment or injury to personnel. Press the buttons on the hand set to raise or lower the unit as required. Releasing the button will stop the operation.

To remove and recharge the battery

The battery clips on and off the mounting bracket on the frame by means of a release lever at the end of the battery. When the battery charge level falls to approximately 50% a warning buzzer may sound each time the unit is operated. At this stage the battery must be removed and recharged. This will ensure maximum battery life. To recharge the battery, simply unclip it and attach it to the wall mounted battery charger well away from the wet area and free from interference. A light will illuminate when the battery is charging and extinguish when charging is complete. (A further light on the charger indicates that it is connected to the mains).

Care of the unit

The system must not be overloaded. It is designed to operate with only one person at a time. Should overload occur, a cut-out may operate and the unit will not operate until the overload has been removed and the system has automatically reset itself, normally within a few seconds. Should gross overload occur, physical damage to the actuator or the bathing unit may occur and the unit may descend to its lowest point.

The unit should not be used if cabling or other components appear damaged.

The system is designed to operate in a bathing/showering area, but the components should not be submerged in water or subjected to pressure washing. Kingkraft recommend Trigene® for disinfection of the surfaces. The components should be dry before reusing.

Fault finding

If the system doesn't operate, please check as follows.

- Is the battery charged?
- Are all leads and connections fully engaged?
- Is the battery securely clamped in place?

Should the above fail to correct the problem, please contact Kingkraft.

Mains powered frame models

General

The system uses an actuator mechanism powered via a controller which is connected directly to the mains power supply. A handset is provided which operates at low voltage for maximum safety.

If there is any doubt about the safety of the unit, do not use it and contact Kingkraft immediately.

To operate the raise lower function

Firstly check that the proposed raising or lowering operation will not cause injury to personnel or damage to nearby equipment. Press the buttons on the handset as required to raise or lower the unit. To stop the operation, simply release the button.

The handset must not be submerged or subjected to pressurised water cleaning.

Care of the unit

The system must not be overloaded by trying to raise more than one person at a time. Should overload occur, damage may be caused to the unit and it may fail to operate.

The unit is designed to operate in a bathing area but it should not be submerged and pressurised water must not be used in cleaning the components.

If any physical damage to the actuator or cabling occurs then do not use the unit until it has been examined and rectified by a competent person and declared as safe.

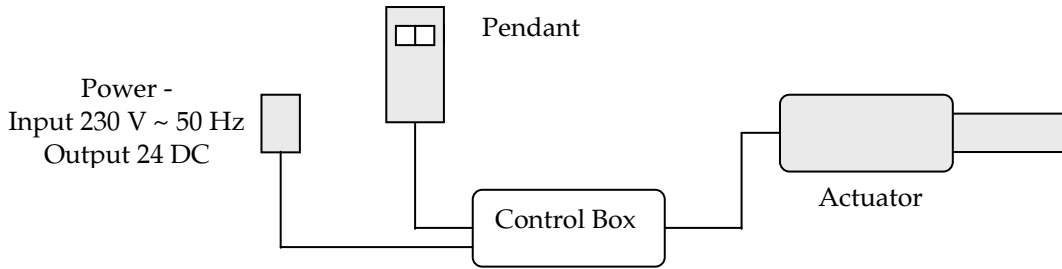
Fault finding

The unit must be installed by a competent person who must connect it to a circuit breaker mechanism provided by others to ensure safety. If a fault has occurred in the electrical supply the circuit breaker is designed to cut out. The fault must be traced and rectified by a competent person before the reset switch on the circuit breaker is operated. The frame and control system itself should not be tampered with as it is designed only for repair by a competent person. In all cases, advice should be sought from Kingkraft.

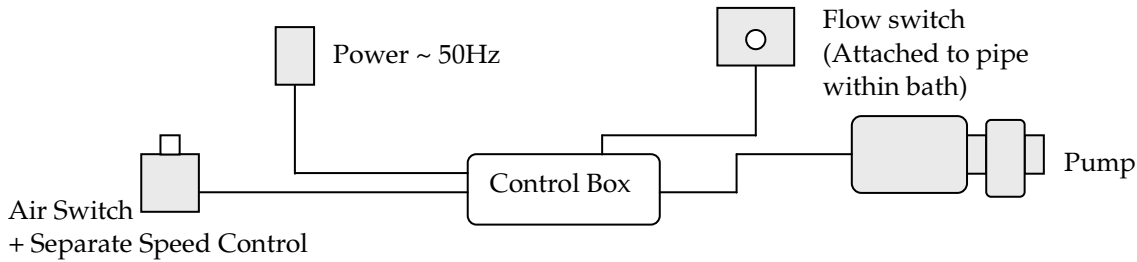
Below are diagrams representing all possible basic electrical circuits incorporated into the Bath.

Do not open the electrical boxes, unless advised by a Kingkraft engineer. Fuses should be changed by Kingkraft Engineers or qualified electricians.
Do not immerse the power cord in water or run over it /trap it with mobile devices.

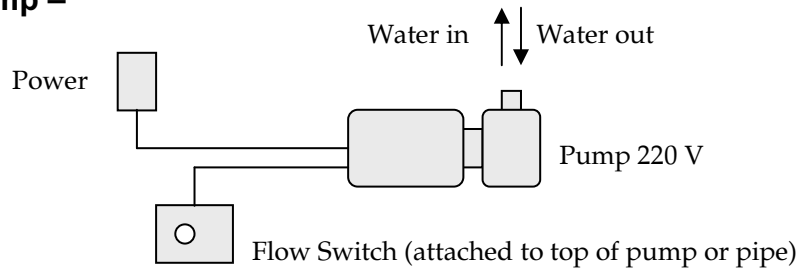
Lifting frame –



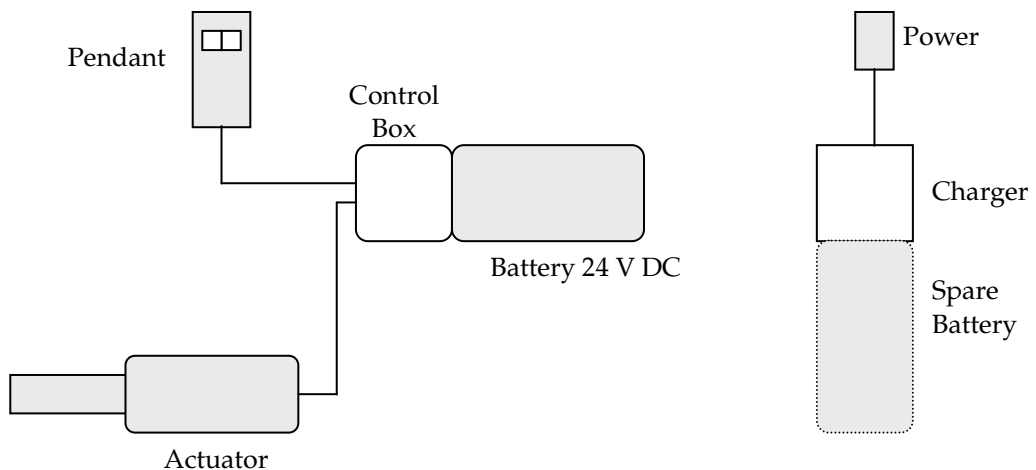
Whirlpool system –



Booster Pump –



Battery Lifting Frame –



Whirlpool hydrotherapy system

The whirlpool system circulates the bath water around the system producing turbulent flow in the bath. It is vital for safety and comfort that the operating, cleaning and disinfection procedures contained in these instructions are followed. Some people with heart and other medical conditions may be at increased risk when using the whirlpool. Qualified medical opinion should be sought prior to use.

Please note that if the bath is being installed in a 'multi user' environment, strict regulations will have to be followed to keep the system regularly cleaned and tested. Please ensure guidelines and resources are available so these regulations are abided to. Kingkraft can not be held responsible if they are not followed.

To fill the bath

Fit the plug into the waste fitting or operate the pop-up waste mechanism. Turn open the bath filling tap and fill the bath until the water level is at least 25mm (1") above all the outlet jets in the side of the bath.

To start the whirlpool pump

To start the whirlpool pump, simply press down the on/off control button which is mounted next to the backrest.

To vary the amount of turbulence in the bath, turn the control button on the bath either clockwise to increase or anti-clockwise to decrease the turbulence.

To adjust the eyeball jets

The direction of the eyeball jets can be adjusted by placing a finger in the jet hole and turning to the desired position.

To switch off

Simply press the on/off button again (next to the backrest).

Whirlpool pump protection

Should the whirlpool system be accidentally operated at any time with insufficient water, the dry-run protection unit will automatically switch off the pump. The whirlpool system can only then be started when there is sufficient water in the bath. The Whirlpool will automatically shut off after 20 minutes. You may restart it if so required.

Always have regard to the user's medical condition and state of health when operating the whirlpool.



WARNING

Use only low foaming bath lotions. Normal bubble baths will froth excessively with whirlpools and can pose a major safety risk to the user and potentially cause damage to surrounding fittings.

Cleaning your whirlpool hydrotherapy system

It is recommended that the whirlpool system is disinfected frequently. Kingkraft recommend Trigene®, which is available from Kingkraft

Alternative special preparations may be available from either your bathroom centre or plumbers' merchant - be sure to follow the manufacturers instructions carefully.

Please note these instructions refer only to new installations and installations that have been frequently cleaned.

It is essential that frequent regular cleaning is undertaken to help prevent the growth of organisms within the whirlpool system. The frequency of cleaning is dependent on the amount the system is used. If the system is regularly heavily soiled it may need cleaning after every use. Trigene® is used in the diluted form for general disinfection of the bath surfaces only. In its concentrated form it can be used for disinfection of the whirlpool system as follows:

1. Remove all cushions, supports, backrests and mattresses from the bath.
2. Rinse any debris from the bath using a shower.
3. Close drain by operating pop-up waste control
4. Turn thermostatic mixer temperature setting to minimum.
5. Fill bath with water to a level of 25mm (1") above the whirlpool jets.
6. 1700 + 2000 Model add 2.5 litres (2500ml) of Trigene® cleaner
7. Turn whirlpool aerator adjuster to minimum setting and run the whirlpool system for 20 minutes.
8. Drain bath.
9. Fill bath with clean water to 25mm (1") above whirlpool jets
10. Run whirlpool for 5 minutes.
11. Drain bath
12. Trigene® is also recommended for general cleaning of the bath surfaces as per instructions on the pack

Kingkraft also supply 6 month Care Packs Whirlpool cleaner, which may also be used. Instructions are given on the package.

INSTALLATION

Your Kingkraft product should be only installed by competent installers. However, if you have to move or re-install the bath for any reason, please take care to read the requirements given in the installation section below. Contact Kingkraft for advice if you need any further information or assistance.

Units with electrical services must only be wired in accordance with the IEE Wiring Regulations, especially as regards zoning and equipotential bonding. Kingkraft products are intended for operation only in a bathroom type location where exposed mains connections and unsealed switches etc. are not permitted.



The unit must not be connected via a plug and socket

The power supply to the Contour (if powered version) must be wired into the supply via an isolator, which supplies only the bath and must have double pole switching with contact separation of at least 3mm. If the isolator is not within sight of a person maintaining the bath unit, it must be lockable in the 'off' position.

We recommend that your Contour is connected via a Residual Current Circuit Breaker (RCD/RCBO) with an operating current of not greater than 30mA

With the exception of the control handset, all parts of the bath control system which are connected to any electrical supply must be inaccessible to any person in the bath and must be fixed firmly into position.

Take care to ensure that the floor on which the bath is to be placed can withstand the full weight of the loaded bath (up to 500kg for standard specification Contour).

Full installation instructions are available from Kingkraft.

MAINTENANCE

Most maintenance required by Kingkraft products is simply a visual inspection to check that the unit is in safe working order. A check-list for these items may be found below.

It is recommended that the inspection procedure is carried out at least once a year.

If you find any faults with the unit, ensure they are rectified immediately and in any event before the bath is next used. If in doubt about any repair procedure, please contact Kingkraft for advice or to arrange a service visit.

Thermal mixer valves (TMV's) require special maintenance and testing to ensure they are safe and continue to operate effectively. These requirements are set down in the Department of Health guidance document '*Safe hot water and surface temperatures*', published by HMSO, ISBN 0-11-322158-4. Under special circumstances, for example in a domestic dwelling, if specified by the user, the thermostatic mixing valves used by Kingkraft may not be tested to the DO8 standard or may be omitted.

The maintenance procedure for TMV's is as follows. This procedure should be carried out at least annually for baths in domestic premises, and more frequently where the bath is used by more than one person.

1. Check the temperatures of the inlet and outlet for the TMV as follows:

- 1.1 Record the temperature of the hot and cold water (inlet) supplies;
- 1.2 Turn the control knob to fill the bath so the water flow is at maximum and record the temperature of the water flowing into the bath.
- 1.3 Set the control knob so that the flow of water into the bath is at a minimum and that the water temperature as it flows into the bath is as high as possible. Record the temperature of the water flowing into the bath. (N. B. do not set the flow of water so slow as to allow it time to cool down before it reaches the measuring apparatus).
- 1.4 While measuring the temperature of the water flowing into the bath, turn off the cold water supply to the mixer valve and record the maximum temperature reached.
- 1.5 Continue to monitor the temperature of water flowing into the bath after the cold water supply to the TMV has been switched off and record the final temperature reached.
- 1.6 Compare the temperatures measured with those recorded during the last maintenance checks on the mixer valve (or with the initial commissioning temperatures which are recorded in the documentation accompanying your new bath)
- 1.7 If any of the temperatures has altered by more than 1°C, or if the maximum temperature recorded exceeds 43°C, the TMV requires maintenance as in section 2 below.
- 1.8 Retain the records of temperature measured for future reference (a sample record sheet is provided below.)

2. Checks on the TMV

- 2.1 Check all in-line and integral strainers are clean.
- 2.2 Check all in-line and integral check-valves and anti-back siphonage devices are in good working order;
- 2.3 Check all isolating valves are fully open.
- 2.4 Repeat stages 1.1 to 1.6. If the temperatures measured have not stabilised within a degree or two of those recorded on the last maintenance check, the valve must be removed for specialist servicing. Contact Kingkraft for further advice.

Record of unit maintenance Bath No. _____

	Operation	Tick OK	Comments
1.	Check water path(s) clean		
2.	Fill bath with water and check for adequate operation of drain.		
3.	Check presence/legibility of warning notices		
4.	Check all labels on bath intact and legible		
5.	Check frame for excess corrosion		
6.	Check operation of TMV (S)		
7.	Check earth bond for metal frame		
8.	Check power supply cord for damage		
9.	Check operation of RCD		
10.	Check all other wires and electrical enclosures for damage		
11.	Check pipes etc. for leaks		
12.	Check all knobs and handles securely attached		
13.	Check all controls easily operated (i.e. not too stiff).		
14.	Fill bath with water and check operation of lifting mechanism to top and bottom of travel.		
15.	Check for unusual noises or vibration when lifting/lowering bath		
16.	With bath empty and at top of travel, rock bath from side to side gently to check for loose fittings and instability.		
17.	Record date maintenance carried out		
18.	Record name of person carrying out inspection		

Record of maintenance of Thermostatic Mixer Valve(s) Bath
No. _____

1.	Bath/shower/basin controller? Specify	
2.	Type/model of TMV	
3.	Pre-set temperature limit	
4.	Location/access to TMV	
5.	Location of hot and cold water isolation valves	
6.	Hot water supply pressure	
7.	Cold water supply pressure	
8.	Hot water supply temperature	
9.	Cold water supply temperature	
10.	Outlet temperature at maximum flow	
11.	Maximum outlet temperature at minimum flow	
12.	Difference between maximum temperature recorded on this occasion and at last maintenance	
13.	Date of inspection	
14.	Name of inspector	

Record and maintenance action taken in the box below.

BATH MARKINGS

The following are examples markings found on the Contour Bath.

Bath identity label –

Kingkraft Contour 2000
Read instructions before use - This appliance must be earthed
Regular Inspection / Service Recommended
Do not clean with bleach based products
Supply rating: 230V~50Hz
Maximum load: 130kg (21 St)
Serial No. 000001

Kingkraft 4 Meverill Road, Tideswell, Buxton,
Derbyshire, England, SK17 8PY
Tel. 01298 872309, Fax 01298 872609



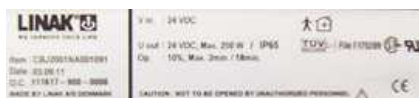
Lifting frame label showing direction of drain –



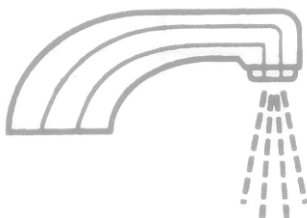
Control Box Label –



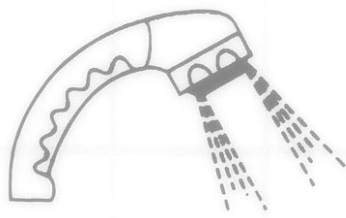
Power / Actuator Labels -



Bath fill control –



Shower control –



Open / lock handle direction –



GUARANTEE DETAILS

The Contour bath and its accessories are guaranteed in the U.K. for a period of twelve months from the date of delivery against defects arising from faulty material, inferior workmanship or construction.

The result of incorrect handling of the bath shall not be covered by the guarantee.

In line with the company's policy of continual product improvement, we reserve the right to carry out improvements to the specification without notice.

WEEE (Waste Electrical and Electronic Equipment Regulations 2006)

The aim of this Directive is to minimise the impact of electrical and electronic equipment on the environment when products become waste. All electrical components on this product must be disposed of in accordance to the WEEE 2006 regulations, either through reuse, recovery, recycling or environmentally sound disposal.

If this Kingkraft product is at the end of its life or electrical parts are replaced during its life-cycle by people other than Kingkraft Engineers, please contact Kingkraft to discuss arrangements regarding the disposal of any of the electrical equipment.

Kingkraft Ltd, 26D Orgreave Crescent, Dore House Industrial Estate, Sheffield S13 9NQ
phone 0114 2690697 fax 0114 2695145 email info@kingkraft.co.uk web www.kingkraft.co.uk



Kingkraft

TAILOR-MADE FOR ASSISTED LIVING