



Bluetooth™

Bookshelf Speakers

with USB

USER'S MANUAL

13259

5

SAFETY WARNINGS AND GUIDELINES

- This speaker system is intended for indoor use only.
- Do not expose these speakers to water or moisture of any kind. Do not place drinks or other containers with moisture on or near them. If moisture does get in or on the speakers, immediately unplug them from the power source and allow them to fully dry before reapplying power.
- If operating these speakers in a humid environment, ensure that no condensation occurs. Condensation could cause damage to the speaker cone and could cause a short in the amplifier, which in turn could cause fire or severe electric shock.
- Do not expose this device to excessively high temperatures. Do not place it in, on, or near heat sources, such as a fireplace, stove, radiator, etc. Do not leave it in direct sunlight.
- Use only in a well-ventilated area. Do not use in close, confined spaces. Ensure that there is at least 12 inches of space around the main speaker to allow for adequate ventilation.
- Unplug the speakers from the power source if they will go unused for a long period of time.
- Prior to operation, check the unit and power cord for physical damage. Do not use if physical damage has occurred.
- The power supply for these speakers accepts a wide range of input voltages, from 100 to 240 VAC, 50 or 60 Hz. Ensure that your power source is within these limits. If not, consult a professional electrician or your power company for a resolution.
- Do not allow the power cord to be crimped, pinched, stepped on, etc. Ensure that the power cord does not present a tripping hazard.
- These speakers have no user serviceable parts. Do not attempt to open, service, or modify them.
- Clean using a soft, dry cloth only. Do not use chemical cleaners, solvents, or detergents. For stubborn deposits, moisten the cloth with warm water.
- Do not subject the speakers to extreme force, shock, or fluctuations in temperature or humidity.
- Remove the battery if the remote control will go unused for a long period of time.
- The remote control for this device contains a Lithium battery. Dispose of the battery only in accordance with local, state, or federal regulations for electronic waste.

INTRODUCTION

Thank you for purchasing this Bluetooth Bookshelf Speaker System!

This powered speaker system features a Bluetooth radio for streaming from mobile devices, as well as a pair of stereo auxiliary inputs with RCA connectors. It includes a high-quality Digital-to-Analog Converter (DAC), which allows you to connect it to a computer as a USB audio device. Each of the four drivers is powered by a dedicated 50-watt (RMS) power amplifier, ensuring that each driver gets all the power it needs. A wireless infrared remote control is included.

FEATURES

- Built-in Digital-to-Analog Converter (DAC) for use as a USB audio device
- Built-in Bluetooth v3.0 radio for streaming from mobile devices
- Two sets of line level stereo AUX inputs
- Separate 50 watt (RMS) power amplifier for each driver (200 watts total)
- Includes infrared remote control
- Adjustable bass and treble controls with ± 6 dB range

CUSTOMER SERVICE

The Monoprice Customer Service department is dedicated to ensuring that your ordering, purchasing, and delivery experience is second to none. If you have any problem with your order, please give us an opportunity to make it right. You can contact a Monoprice Customer Service representative through the Live Chat link on our website **www.monoprice.com** during normal business hours (Mon-Fri: 5am-7pm PT, Sat-Sun: 9am-6pm PT) or via email at **support@monoprice.com**

PACKAGE CONTENTS

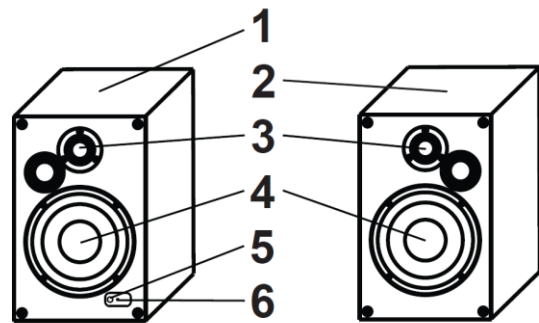
Please take an inventory of the package contents to ensure you have all the items listed below. If anything is missing or damaged, please contact Monoprice Customer Service for a replacement.

- 1x Main (left) speaker
- 1x Slave (right) speaker
- 1x AC power adapter
- 1x Infrared remote control with installed CR2025 battery
- 1x Slave speaker cable
- 1x Stereo RCA cable
- 1x USB 2.0 cable
- 1x User's Manual

PRODUCT OVERVIEW

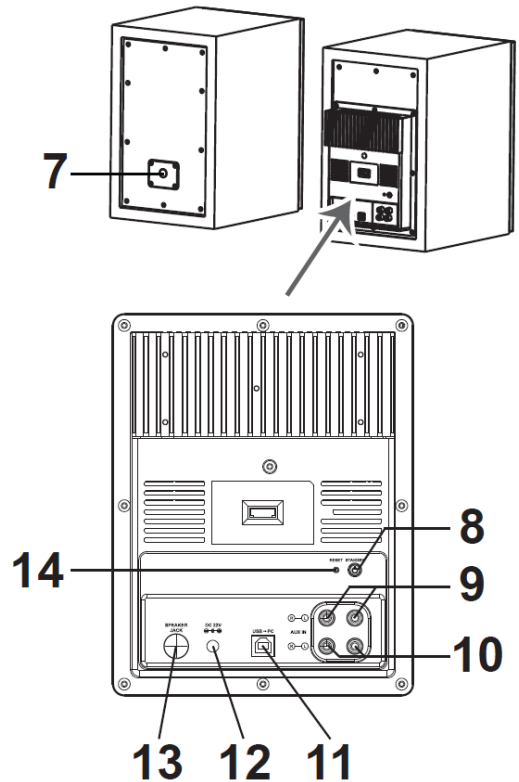
Speakers (Front)

1. **Main (Left) Speaker:** The main speaker contains the amplifiers and Bluetooth radio.
2. **Slave (Right) Speaker:** The slave speaker is powered and controlled by the main speaker.
3. **Tweeters:** One per speaker.
4. **Woofers:** One per speaker.
5. **Status LED:** The LED illuminates in various colors to indicate the selected input and operating mode:
 - Solid Blue:** Bluetooth input selected and actively connected to a device
 - Blinking Blue:** The system is in Bluetooth pairing mode
 - Solid Green:** PC mode (USB) input selected
 - Solid Magenta:** AUX 1 input selected
 - Solid Yellow:** AUX 2 input selected
6. **Remote Control Infrared Receiver:** Aim the included infrared remote control at the main (left) speaker.



Speakers (Rear)

7. **Slave (Right) Speaker Input:** Plug the included slave speaker cable into this input on the slave (right) speaker.
8. **STANDBY (Power) Button:** Press this button to power the system ON or OFF.
9. **AUX-IN 1 Left/Right RCA Input Jacks (strong signal):** Connect a line level audio source device to these RCA inputs using the included stereo RCA cable. This is a low sensitivity input and is intended for use with modern audio equipment with 2000mV maximum signal strength, such as CD players and DVD players.
10. **AUX-IN 2 Left/Right RCA Input Jacks (weak signal):** Connect a line level audio source device to these RCA inputs using the included stereo RCA cable. This is a high sensitivity input and is intended for use with devices with an 800mV maximum signal strength, such as the headphone output of a mobile phone or television set.



11. **USB → PC Input:** Use the included USB 2.0 cable to connect to a computer to use the speakers as a USB audio device.
12. **DC 24V Power Input Jack:** Plug the included AC adapter into this power jack.
13. **Slave (Right) Speaker Output:** Plug the included slave speaker cable into this output on the main (left) speaker.
14. **RESET Button:** The **Reset** button is recessed below the surface of the panel, so that it cannot be accidentally activated. Use a paper clip, toothpick, or other small, blunt object to press the recessed button. If the system "locks up" or is otherwise unresponsive, press the **Reset** button to restore it to the factory default settings.

Remote Control

1. **Infrared Transmitter:** Aim the included infrared remote control at the main (left) speaker.
2. **MUTE Button:** Press the **Mute** button to toggle the mute function on/off.
3. **Play/Pause (▶||) Button:** When using the Bluetooth input, press this button to pause or resume playback.

4. **Previous (◀◀) and Next (▶▶) Buttons:** When using the Bluetooth input, press the ◀◀ button to skip back to the beginning of the current track. If already at the beginning of the track, press ◀◀ to skip back to the beginning of the previous track. Press the ▶▶ button to skip forward to the beginning of the next track.

5. **TRE+ and TRE- Buttons:** Use these buttons to adjust the high frequency response. Press the **TRE+** button to increase the high frequency response and the **TRE-** button to decrease the high frequency response. The high frequency response can be adjusted up to ±6dB.

6. **AUX 2 Button:** Press the **AUX 2** button to select the AUX 2 input. Due to the different sensitivities of the various inputs, the volume should be decreased to minimum or the mute function toggled on before switching inputs. The status LED glows yellow.

7. **BT Button:** Press the **BT** button to select the Bluetooth radio input. Due to the different sensitivities of the various inputs, the volume should be decreased to minimum or the mute function toggled on before switching inputs. The status LED glows blue.

8. **STANDBY Button:** Press the **Standby** button to power the system ON or OFF.

9. **VOL+ and VOL- Buttons:** Use these buttons to adjust the output volume level of the speaker system.

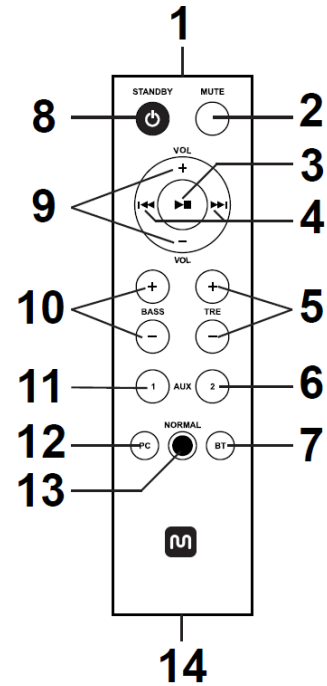
10. **BASS+ and BASS- Buttons:** Use these buttons to adjust the low frequency response. Press the **BASS+** button to increase the low frequency response and the **BASS-** button to decrease the low frequency response. The low frequency response can be adjusted up to ±6dB.

11. **AUX 1 Button:** Press the **AUX 1** button to select the AUX 1 input. Due to the different sensitivities of the various inputs, the volume should be decreased to minimum or the mute function toggled on before switching inputs. The status LED glows magenta.

12. **PC Button:** Press the **PC** button to select the USB input. Due to the different sensitivities of the various inputs, the volume should be decreased to minimum or the mute function toggled on before switching inputs. The status LED glows green.

13. **NORMAL Button:** Press the Normal button to reset any adjustments made to the bass and treble (low and high frequency response) settings.

14. **Battery Compartment (underside):** The battery compartment is on the underside at the base of the remote control.



REMOTE CONTROL BATTERY

The included remote control ships with a CR2025 Lithium battery pre-installed in the battery compartment. A plastic film is used to prevent contact, so that the battery is not drained during storage and shipping.

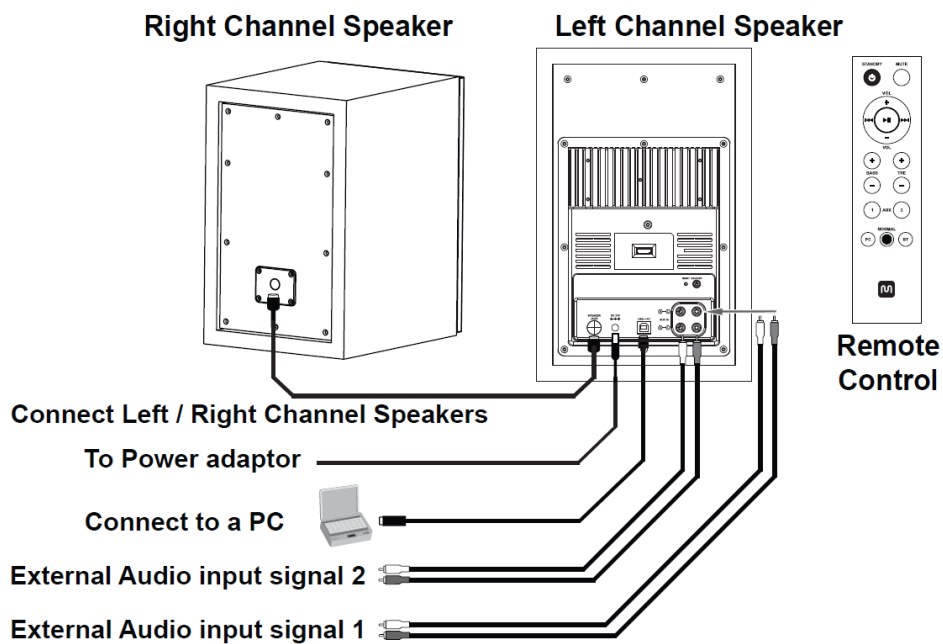
Prior to first use, grasp the plastic tab protruding from the battery compartment and pull it out to remove the protective film, allowing the remote control to operate.

When the remaining battery capacity is low, the remote control becomes unresponsive or responds intermittently. Perform the following steps to replace the battery:

1. Pull the battery compartment cover to remove it.
2. Replace the existing CR2025 battery with a new one. Pay close attention to the polarity markings to ensure that it is inserted properly.
3. Push the battery compartment cover to close it.

CONNECTION DIAGRAM

The following diagram illustrates a typical configuration.



Notes:

- *The AUX 1 input is a low sensitivity input intended for use with devices with a 2000mV maximum signal strength, such as a CD or DVD player.*
- *The AUX 2 input is a high sensitivity input intended for use with devices with an 800mV maximum signal strength, such as the headphone output of a mobile phone or television set.*

USB AUDIO

This speaker system features a built-in DAC and a USB input, allowing you to use it as a USB audio device connected to a computer. Perform the following steps to configure Windows for use with this speaker system:

1. Press the Standby button on the rear panel or on the remote control to power the speaker system on.
2. Power on your computer and log in.
3. Using the included USB 2.0 cable, plug the USB B end into the USB → PC port on the rear panel of the main speaker.
4. Plug the USB A end into an available USB port on your computer.
5. Press the **PC** button on the remote control to select the USB input. The status LED on the main speaker will illuminate green.
6. Newer versions of Windows will automatically detect the speaker system and will set it as the default output speaker. If it does not, perform the following steps, depending on your version of Windows.

Windows XP

- a. Open Windows Control Panel.
- b. Double-click the **Sounds, Speech, and Audio Devices** icon.
- c. Double-click the **Sounds and Audio Devices** icon.
- d. Select the **Audio** tab.
- e. In the **Sound Playback** section, use the drop down list box to select the **MP Bookshelf** entry for the **Default device**.
- f. Click the **OK** button to save your changes.

Windows Vista and Windows 7

- a. Open Windows Control Panel.
- b. Click the **Hardware and Sound** entry.
- c. Click the **Sound** entry.
- d. Locate and double-click the **MP Bookshelf** entry from the list of displayed devices.
- e. Click the **Set Default** button to make the highlighted audio playback device the default. A white check mark on a green background indicates the default audio device.
- f. Click the **OK** button to save your changes.

BLUETOOTH PAIRING

This speaker system contains a Bluetooth radio, allowing you to stream audio from your mobile device. Perform the following steps to pair your device with the speaker system:

1. Power the speaker system ON by pressing the **STANDBY** button on the rear of the main speaker or on the remote control.
2. Press the **BT** button on the remote control to select the Bluetooth input. The system will automatically go into Bluetooth pairing mode. The status LED on the main speaker will begin to blink.
3. Open the Bluetooth settings on your mobile device and initiate a search for nearby Bluetooth devices.
4. From the list of discovered devices, select the **MP Bookshelf** entry. If prompted for a passcode, input **0000** (four zeroes).
5. Once the connection is established, the status LED will cease flashing and will change to solid blue.

Notes:

- *If the speaker system is already paired with an active device, pressing the BT button in step 2 will cause the system to automatically reconnect with the previously paired device.*
- *To delete an existing pairing, press and hold the BT button on the remote for about 3 seconds.*

TECHNICAL SUPPORT

Monoprice is pleased to provide free, live, online technical support to assist you with any questions you may have about installation, setup, troubleshooting, or product recommendations. If you ever need assistance with your new product, please come online to talk to one of our friendly and knowledgeable Tech Support Associates. Technical support is available through the online chat button on our website **www.monoprice.com** during regular business hours, 7 days a week. You can also get assistance through email by sending a message to **tech@monoprice.com**

SPECIFICATIONS

Frequency Response	30Hz ~ 20kHz
Crossover Frequency	3.15kHz
SPL (1W@1m)	87dB ±3dB
THD (@1kHz)	0.25%
Signal-to-Noise Ratio	62dB (A-weighted)
Low Frequency Amplifiers	2x 50W (RMS)
High Frequency Amplifiers	2x 50W (RMS)
Treble Adjustment Range	±6dB
Bass Adjustment Range	±6dB
AUX1 Nominal Input Strength	2000mV (RMS)
AUX2 Nominal Input Strength	800mV (RMS)
Bluetooth Version	v3.0
Supported Bluetooth Profiles	A2DP, AVRCP
Built-in DAC	44.1 ~ 96 kHz DAC
Remote Control Battery Type	CR2025 3V Lithium battery
Main (Left) Speaker Dimensions	11.8" x 11.4" x 7.9" (300 x 290 x 200 mm)
Slave (Right) Speaker Dimensions	11.8" x 10.2" x 7.9" (300 x 260 x 200 mm)
Weight (Total)	28.5 lbs. (12.9 kg)

REGULATORY COMPLIANCE

Notice for FCC



This device complies with Part 15 of the FCC rules. Operation is subject to the following two conditions: (1) this device may not cause harmful interference, and (2) this device must accept any interference received, including interference that may cause undesired operation.

Modifying the equipment without Monoprice's authorization may result in the equipment no longer complying with FCC requirements for Class B digital devices. In that event, your right to use the equipment may be limited by FCC regulations, and you may be required to correct any interference to radio or television communications at your own expense.

This equipment has been tested and found to comply with the limits for a Class B digital device, pursuant to Part 15 of the FCC Rules. These limits are designed to provide reasonable protection against harmful interference in a residential installation. This equipment generates, uses and can radiate radio frequency energy and, if not installed and used in accordance with the instructions, may cause harmful interference to radio communications. However, there is no guarantee that interference will not occur in a particular installation. If this equipment does cause harmful interference to radio or television reception, which can be determined by turning the equipment off and on, the user is encouraged to try to correct the interference by one or more of the following measures:

- Reorient or relocate the receiving antenna.
- Increase the separation between the equipment and receiver.
- Connect the equipment into an outlet on a circuit different from that to which the receiver is connected.
- Consult the dealer or an experienced radio/TV technician for help.

Radio Notice for FCC



Caution

This FCC Part 15 radio device operates on a non-interference basis with other devices operating at this frequency. Any changes or modification to said product not expressly approved by Monoprice, including the use of non-approved antennas, could void the user's authority to operate this device.

This device complies with Part 15 of the FCC Rules. Operation is subject to the following two conditions: (1) this device may not cause harmful interference, and (2) this device must accept any interference received, including interference that may cause undesired operation.

Notice for Industry Canada

This Class B digital apparatus complies with Canadian ICES-003.

Cet appareil numérique de la classe B est conforme à la norme NMB-003 du Canada.

Radio Notice for Industry Canada



Caution

This IC RSS-210 radio device operates on a non-interference basis with other devices operating at this frequency. Any changes or modification to said product not expressly approved by Monoprice, including the use of non-approved antennas, could void the user's authority to operate this device.

This device complies with IC RSS-210. Operation is subject to the following two conditions: (1) this device may not cause harmful interference, and (2) this device must accept any interference received, including interference that may cause undesired operation.