



**P-400 Pool Lift**  
400 lbs [181 kg] Maximum Capacity

READ AND FOLLOW ALL OF THE INSTRUCTIONS THOROUGHLY BEFORE BEGINNING INSTALLATION OR OPERATION OF THE LIFT.

(LEAVE THIS MANUAL WITH OWNER OF LIFT)



## **INFORMATION**

Product Information .....	2
Dealer/Installer Information .....	2

## **SAFETY SUMMARY**

Warnings and Cautions.....	3
----------------------------	---

## **PREPARATION**

Suggested Tools .....	4
-----------------------	---

## **PRE-INSTALLATION**

ADA Guidelines (USA only).....	5
Path of Travel.....	6
<b>Pool Deck Requirements</b>	
☞ Acceptable Existing Deck.....	7
☞ New Concrete Pad Under Paver and Sand.....	9

## **UNPACKING THE LIFT**

PACKAGE CONTENT .....	10
-----------------------	----

## **INSTALLATION & ASSEMBLY**

Charging the Battery.....	11
Anchors and Arm & Base Assembly.....	12
Seat Support Frame Assembly and Link Shaft.....	13
Seat Assembly.....	14
Foot Rest Assembly and Adjustment.....	15
Battery Pack and Control Pendant.....	16

## **LIFT OPERATION**

Control Pendant .....	17
Emergency Buttons.....	18

## **TECHNICAL**

Maintenance & Care. ....	19
Troubleshooting Procedure.....	20

## **EXPLODED VIEWS / PARTS LIST**

P400 Assembly.....	21
Hardware Pack.....	22
Arm & Base Assembly.....	23
Seat Assembly.....	24
Foot Rest Assembly.....	25

## **WARRANTY INFORMATION**

Warranty.....	29
---------------	----



This manual has been provided to assist you with lift installation and operation. For further assistance please contact your authorized Harmar dealer or Harmar's Technical Service Department.



2075 47th ST  
Sarasota, FL 34234  
Tel: 800-833-0478  
Tech: 866-378-6648  
Fax: 941-308-7399  
Email: tech@harmar.com

FILL IN THE FOLLOWING FIELDS TO KEEP FOR YOUR RECORDS:

**PRODUCT INFORMATION**

Model: \_\_\_\_\_  
Serial Number: \_\_\_\_\_  
Purchase Date: \_\_\_\_\_

**DEALER/INSTALLER INFORMATION**

Company Name: \_\_\_\_\_  
Contact Name: \_\_\_\_\_  
Address: \_\_\_\_\_  
\_\_\_\_\_  
Phone Number: \_\_\_\_\_  
Fax Number: \_\_\_\_\_  
Email: \_\_\_\_\_



**DANGER** - Failure to follow these Warnings, Instructions, and Owner's Manual may result in serious injury or death



**WARNING**

- ≡ **WEIGHT LIMIT:** Limit for use is ONE (1) person weighing less than the maximum weight of 400lb [181kg]. Use only for the transfer of a single user, not as a hoist or crane.
- ≡ Seat belt is to be used at all times during transfer.
- ≡ Always make sure the area around lift is clear before operating. Never operate the lift with any person(s) within the operating range of the lift, including on the deck and/or in the water.
- ≡ **ADULT USE ONLY:** When in use, the lift is to be operated under the supervision of an adult. Children should never operate nor play on or around the lift at any time.
- ≡ **NO JUMPING/DIVING/CLIMBING:** Do not jump or dive from or climb on the lift.
- ≡ **PINCH/CRUSH HAZARD:** Always keep hands, fingers, legs and toes clear of lift arm, base, and other moving parts when in use.
- ≡ Save a copy of these instructions in a safe and easily accessible place.





**CAUTION**

- ≡ **BATTERY CHARGE:** Always have the battery on the charger charging when not in use. NEVER leave the battery on the lift when not in use.
- ≡ DO NOT allow excessive moisture to collect in the battery case. It can affect battery and lift performance and could lead to battery failure and/or the lift failing to operate.
- ≡ DO NOT use the seat/seat frame or actuator to move or reposition the lift.
- ≡ NEVER apply direct water pressure to the electronic components



**WARNING**

Limit for use is one (1) person weighing less than the maximum weight of **400LB [181KG]**

SIGNAL WORDS	DEFINITION
 <b>WARNING</b>	Indicates a hazardous situation that if not avoided, could result in moderate to serious injury.
 <b>CAUTION</b>	Indicates a hazardous situation that if not avoided, could result in moderate to serious property damage.



### SUGGESTED TOOLS

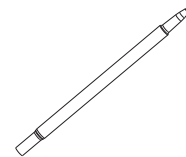
The following is a suggested list of basic tools to have on hand during installation. Harmar lifts are designed to install with as little assembly by the installer as possible.



HAMMER DRILL



TAPE MEASURE



MARKING IMPLEMENT



MASONRY DRILL BIT  
SPECIFICALLY

5/8"



SOCKET SET  
SPECIFICALLY

7/16"

3/8"

1/2"

9/16"

3/4"

17mm



WRENCH SET  
SPECIFICALLY

7/16"

3/8"

1/2"

9/16"

3/4"

17mm



ALLEN WRENCH  
SPECIFICALLY

1/8"

5/32"

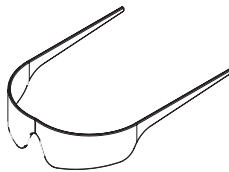
3/16"

7/32"

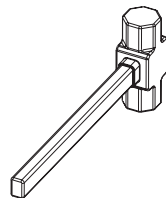
5/16"

3/8"

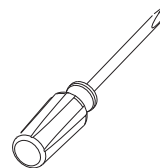
8mm



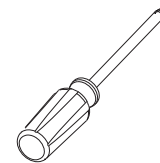
SAFETY GLASSES




HAMMER



FLAT HEAD SCREWDRIVER



PHILLIPS HEAD SCREWDRIVER

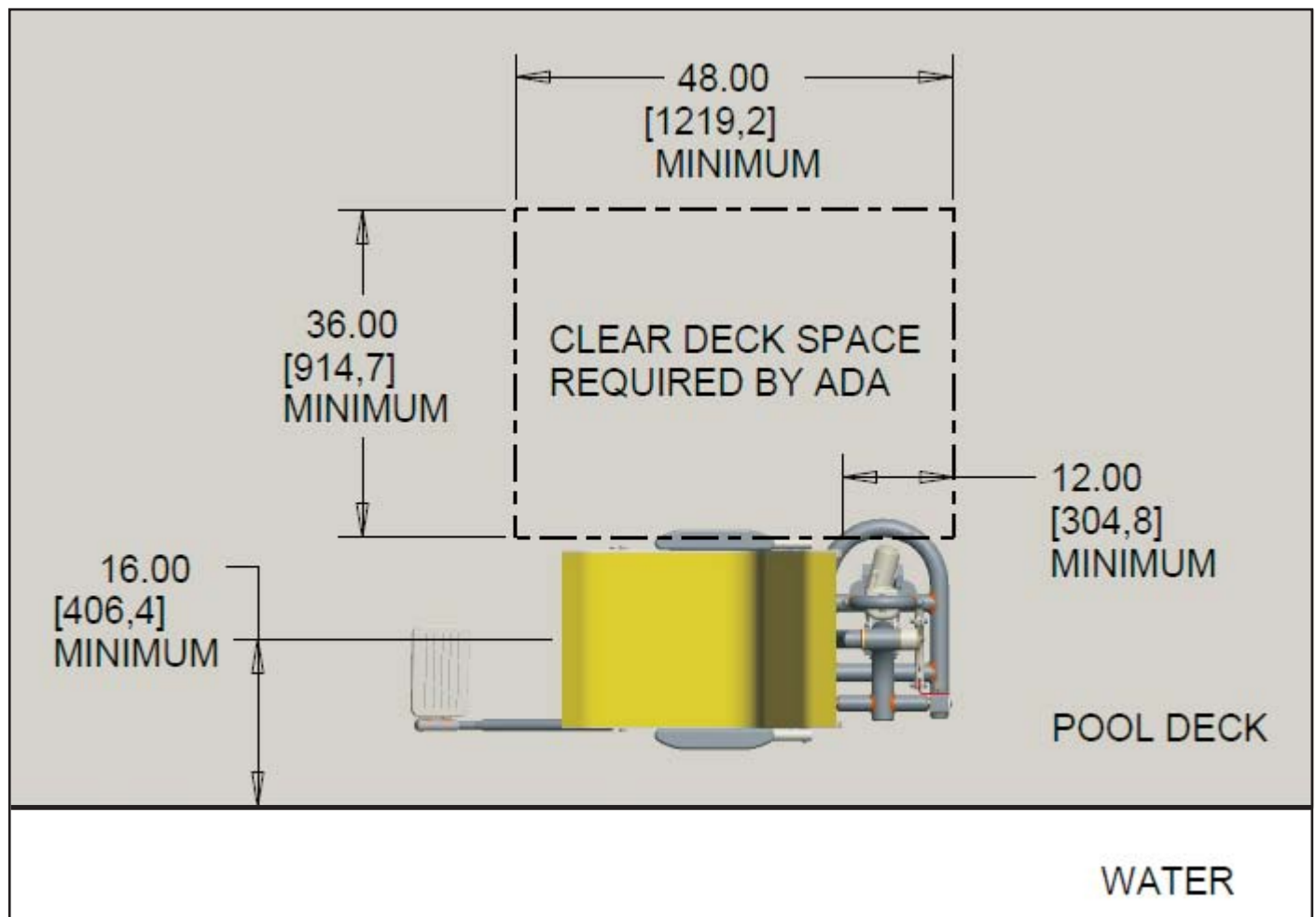
As always, if you have any questions, concerns or comments, please feel free to contact Harmar's Technical Service Department at 866-378-6648 or "tech@harmar.com" 



**ADA GUIDELINES** (USA only)

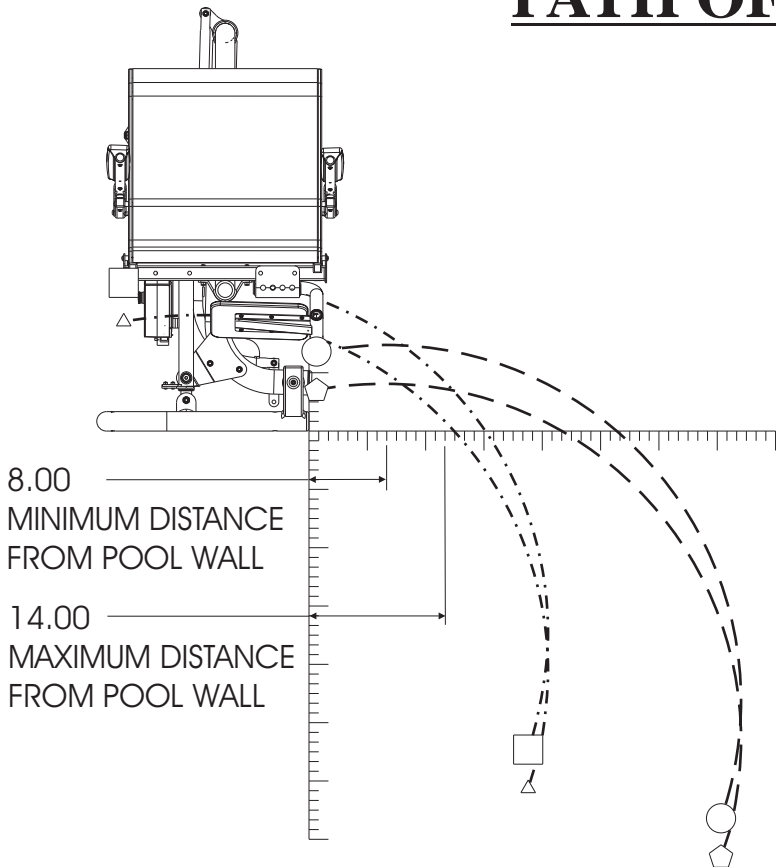
Before installing the P400 Lift it is necessary to select the correct location for the Mounting Base. The P400 Lift can be installed in a wide variety of locations, but the owner and installer should be aware of the regulations set forth by the Americans with Disabilities Act (ADA) with concern to lift installations. Fig. 1 below, shows an example of an ADA compliant installation, which incorporates the following ADA rules in order to be compliant;

- **1009.2.1 POOL LIFT LOCATION:** Pool lifts must be located where the water level does not exceed 48 inches [1220mm], unless the entire pool is greater than 48” deep. (Harmar requires a minimum pool depth of 40”.)
- **1009.2.2 SEAT LOCATION:** In the raised position, the centerline of the seat shall be located over the deck and 16 inches [405mm] minimum from the edge of the pool wall. The deck surface between the centerline of the seat and the pool edge shall have a slope no greater than 1:48.
- **1009.2.3 CLEAR DECK SPACE:** On the side of the seat opposite the water, a clear deck space shall be provided parallel with the seat. The space shall be 36 inches [915mm] wide minimum and shall extend forward 48 inches [1220mm] from a line located 12 inches [305mm] behind the rear edge of the seat. The clear deck space shall have a slope not greater than 1:48.



**Fig 1:** ADA Deck Requirement

# PATH OF TRAVEL



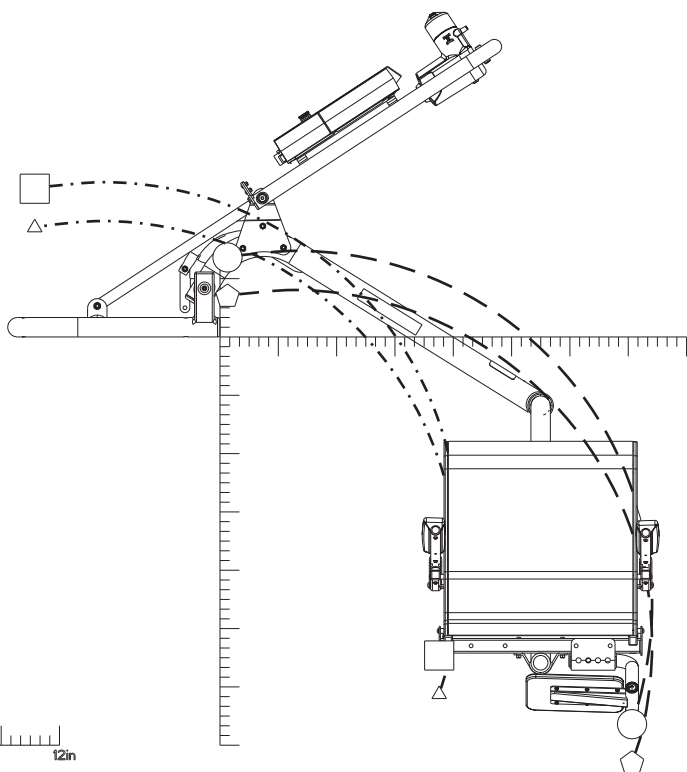
8.00  
MINIMUM DISTANCE  
FROM POOL WALL

14.00  
MAXIMUM DISTANCE  
FROM POOL WALL

□	-----	SEAT LOWER SUPPORT
△	-----	S.L.S MAXIMUM LOAD
○	-----	LOWER LEG
◑	-----	L.L. MAXIMUM LOAD

Path of Travel can be used as an aid to determine most ideal distance the pool lift is to be mounted from the pool wall.

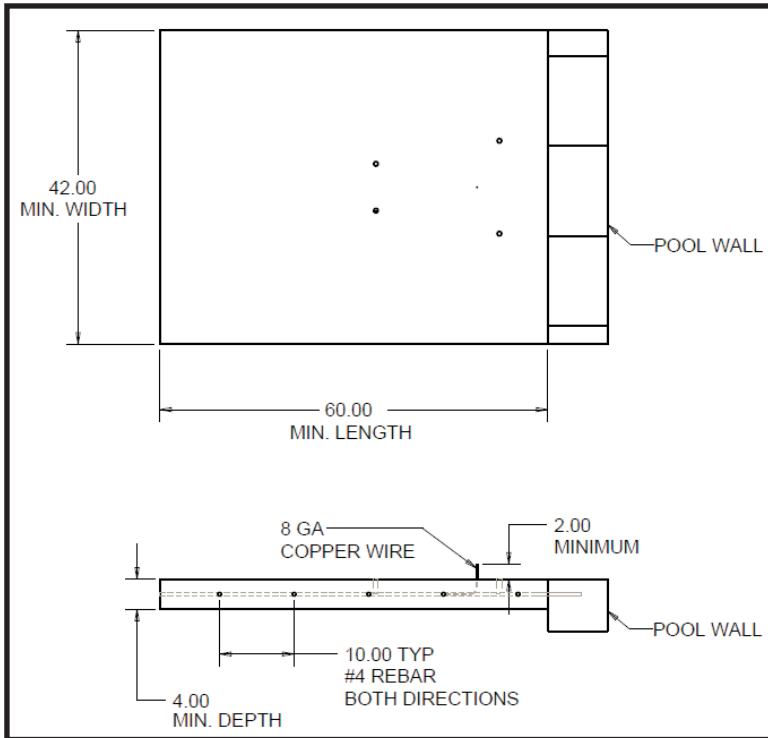
The square and circle symbols mark the lowest points on the lift, with no load, that would be nearest to the pool wall and ground during travel.



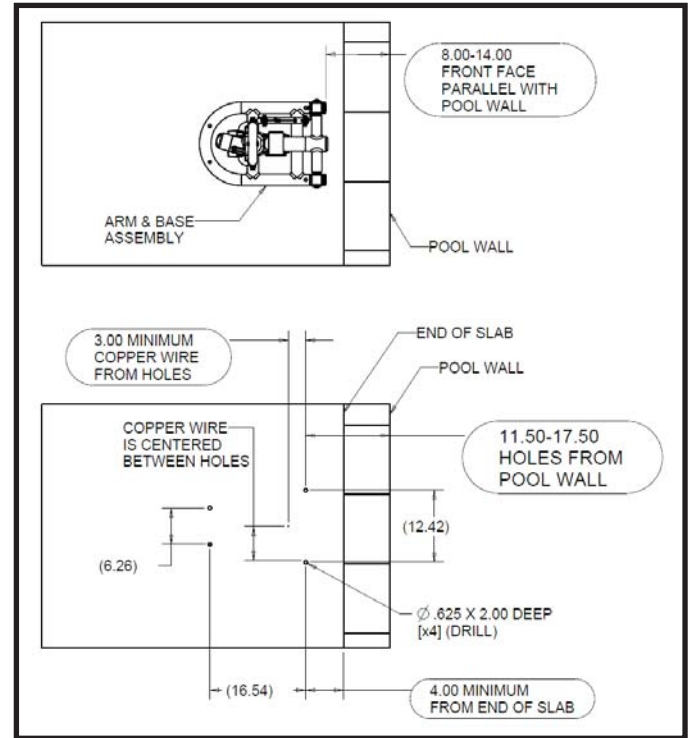
0 12in



## POOL DECK REQUIREMENTS



**Fig 2:** Minimum Deck Requirements



**Fig 3:** Lift Location and Hole Specifications

### **Minimum Deck Requirement:**

- ❖ Minimum concrete slab should be at least 60" x 42" x 4.00" thick, reinforced (#4 rebar) with a concrete strength of 3000PSI.
- ❖ Anchors must be installed a minimum of 4" or greater from the edge of the slab
- ❖ Existing slab does not exhibit any signs of cracking or deterioration.

### **For proper installation into an existing deck, follow these guidelines.**

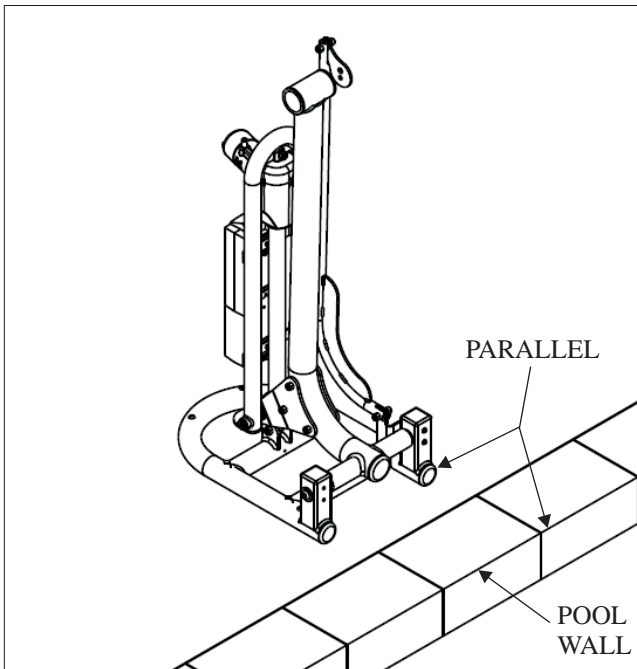
1. To determine the proper area to install the lift, follow the ADA guidelines, Fig. 1.
2. Verify that the pool deck meets the minimum requirements above, also see Fig.2. If the deck does not meet these requirements, then the deck needs to be cut and replaced with a new slab that meet these requirements. The new slab needs to be reinforced with rebar and adhered with epoxy into the remaining existing deck. Simpson SET epoxy is recommended or equivalent for installation.



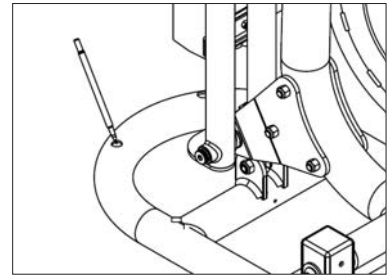
**WARNING**

**When operating equipment, operator should ALWAYS wear Personal Protective Equipment**

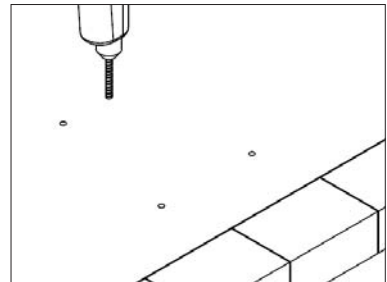




**Fig 4:** Lift base parallel with pool wall



**Fig 5:** Mark hole locations



**Fig 6:** Drill four holes

- 3 Due to Local Electrical Code, it may be necessary to Bond the Mounting Base to the pool's Bonding Grid with 8ga Copper Wire. See Fig. 2 & 3 for location. Check your Local Electrical Code for proper Bonding.
- 4 To determine the proper location to install the lift, use Fig. 3 and the Arm & Base assembly as a template. Make sure that the lift is an appropriate distance away from the pool wall and that all holes to be drilled are at least 4" away from any edge of the deck or slab. **DO NOT** lift the assembly from the actuator.
- 5 Mark the four (4) hole locations of the base onto the deck, being sure that the Base is parallel with the pool wall and the Arm is facing the correct direction, Fig. 4 & 5.
- 6 Using the Hammer Drill and 5/8" Masonry Drill Bit, drill the four 5/8" diameter holes 2.00" deep. Make sure the Drill is square to the deck and drill straight down, Fig. 6. Use the Shop Vac to remove additional dust from holes and surrounding areas.



**CAUTION** DO NOT drill too deep or the anchors will be too low for the supplied fasteners.

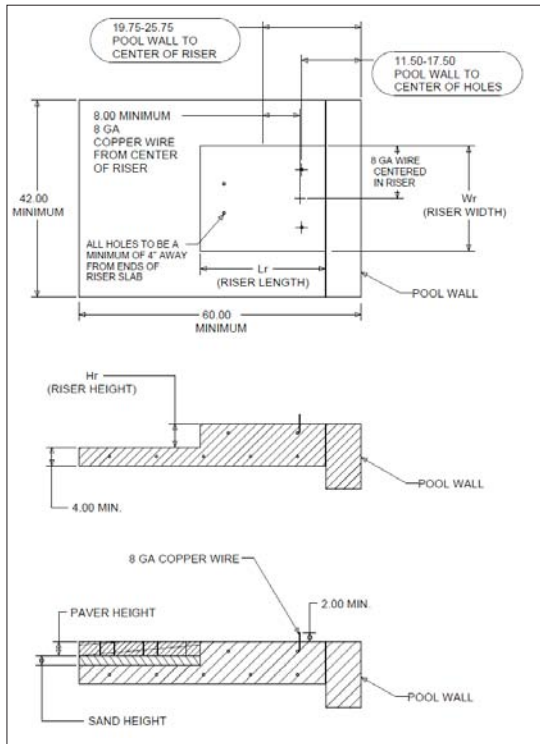


**WARNING**

When operating equipment, operator should **ALWAYS** wear Personal Protective Equipment



## PAVER & SAND REQUIREMENTS



**Fig 7:** Concrete requirements for Paver and Sand App

**DETERMINING THE LENGTH & WIDTH OF THE RISER**

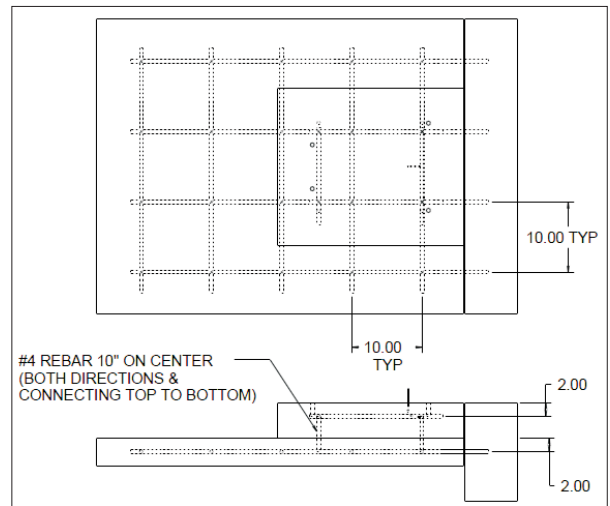
[Hr] is the Height of the Riser  
 [Lr] is the Length of the Riser  
 [Wr] is the Width of the Riser

Hr = (Height of Sand) + (Thickness of Paver)  
 Lr = (Hr x 2) + 17  
 Wr = (Hr x 2) + 13

**EXAMPLE:**  
 Sand = 2.00" deep and Paver = 3.00" thick

Hr = 2 + 3 = 5.00"  
 Lr = (5.00 x 2) + 12 = 27.00"  
 Wr = (5.00 x 2) + 10 = 23.00"

**Fig 8:** Calculation of Risers length and width



**Fig 9:** Reinforcement of concrete

- 1 To determine the proper area to install the lift, Follow the ADA guidelines, Fig. 1.
- 2 The minimum deck requirements are similar to those on page 7, but this application requires a riser in addition to the footing, Fig. 7. Remove the pavers & sand from the location chosen for The lift and cut out the underlying foundation. Replace with a new slab with a Riser incorporated on top of it, Fig. 7. Use Fig. 8 to determine the correct size of the Riser. The new slab needs to be reinforced with rebar and adhered with epoxy into the remaining existing deck, Fig. 9. Simpson SET epoxy is recommended or equivalent for installation.
- 3 Due to Local Electrical Code, it maybe necessary to Bond the Mounting Base to the pools Bonding Grid with 8ga Copper Wire. See Fig. 7 for location. Check your Local Electrical Code for proper Bonding.
- 4 The proper location to install the lift is centered on the riser, use Fig. 7 and the Arm & Base assembly as a template. Make sure that the lift is an appropriate distance away from the pool wall. **DO NOT** lift the assembly from the actuator.
- 5 Return to page 8 and follow Steps 5 & 6 to finish preparations.

**WARNING** When operating equipment, operator should ALWAYS wear Personal Protective Equipment

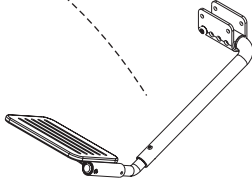
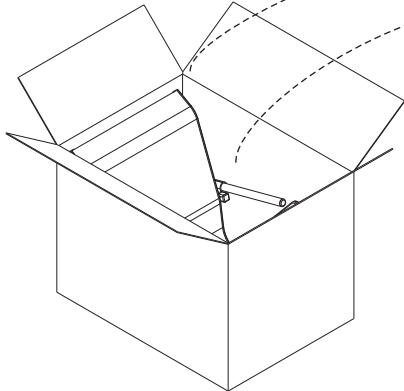
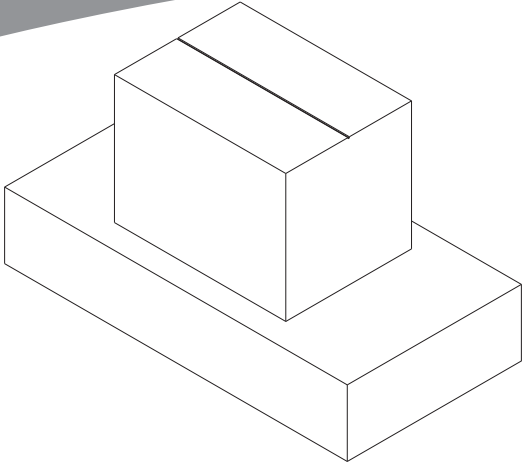
**PACKAGE CONTENT**

Be sure to check the contents of the boxes against the package checklist, verifying all parts are included with the lift for a proper installation. If any parts are missing or damaged, immediately contact the distributor from which you purchased the lift. **DO NOT** attempt to install or use the lift with any missing or damaged parts.

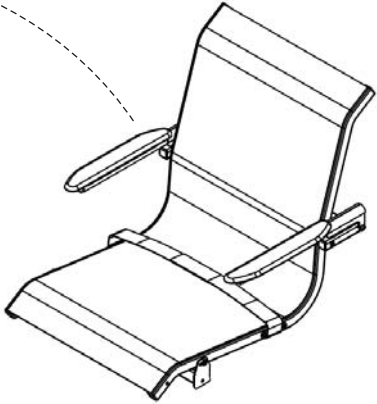


**WARNING**

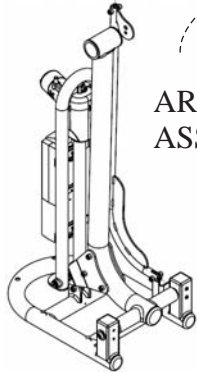
**NEVER attempt to lift the boxes from the ground or on/off a vehicle by yourself. Serious injuries or damage to equipment may result.**



FOOT REST ASSEMBLY



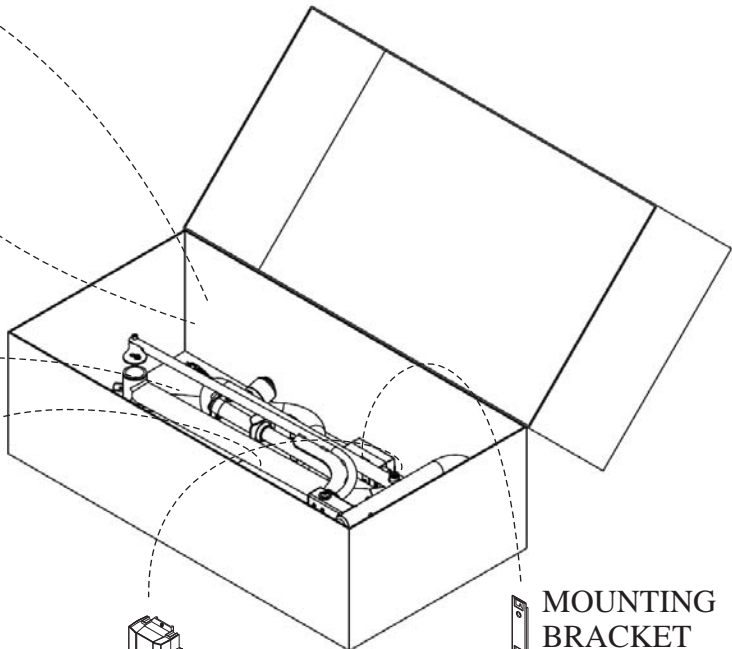
SEAT ASSEMBLY



ARM & BASE ASSEMBLY

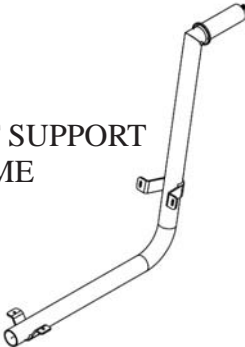


CONTROL PENDANT



SEAT SUPPORT FRAME

HARDWARE PACK



CHARGER



MOUNTING BRACKET CHARGER

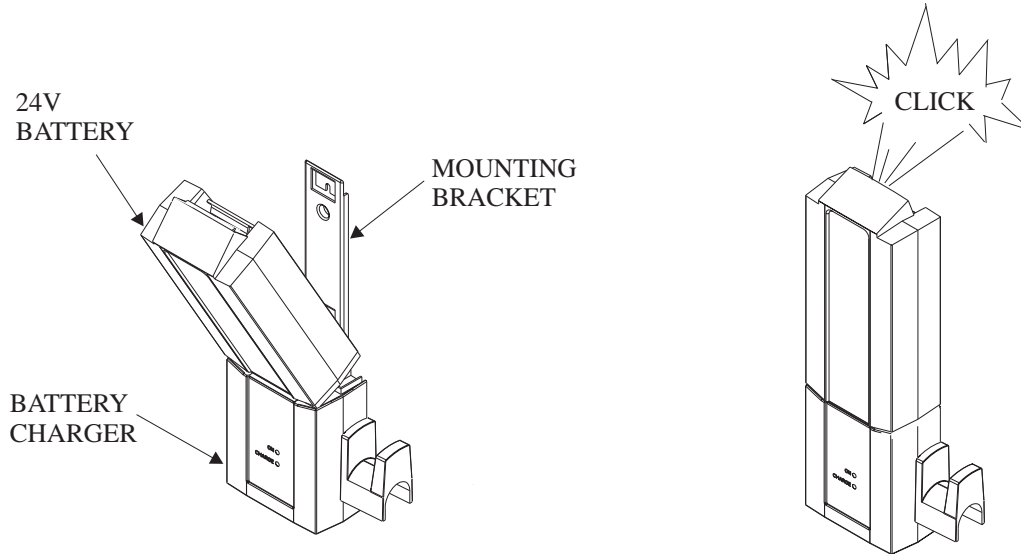


## CHARGING THE BATTERY

Before using the pool lift for the first time, the 24V Battery must be fully charged. The battery should be charged for a minimum of 24 hours on its first initial charge. The battery can be left on the Battery Charger overnight or until it is needed for use. It is recommended that the battery be fully charged before each use to ensure that the lift will function for the duration of its immediate use. The battery should never stay on the lift if the lift is not being used.

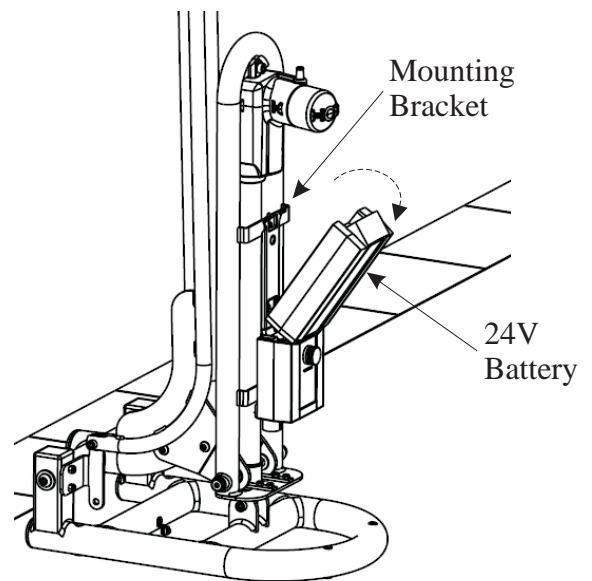
### 1 Installing 24V Battery onto Battery Charger:

Place Battery onto Battery Charger and rotate up until the Battery engages the Mounting Bracket. The latch on the Battery will click when engaged properly and will be fixed tightly on top of the Charger. When the Charger is plugged in, the "ON" light will illuminate GREEN. When the Battery is properly mounted onto the Charger, the "Charge" light will illuminate ORANGE. Once the Battery is FULLY charged, the "Charge" light will turn off and the Battery is ready to be used.



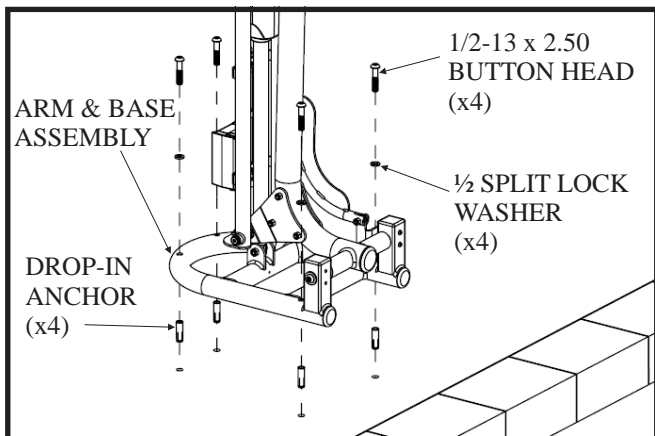
### 2 Recharging 24V Battery

To recharge the Battery, grip the top-rear of the Battery and squeeze the clip. This will unlatch the Battery from the Mounting Bracket. The Battery can now be installed onto the Battery Charger as described above.



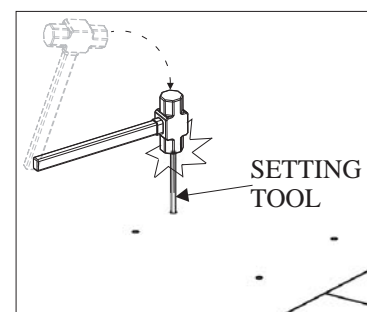
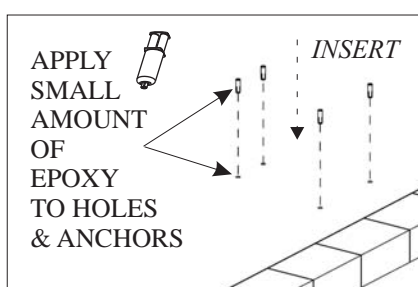
**⚠ CAUTION**  
**ALWAYS have the Battery charging on the Charger when not in use.**

## ARM & BASE ASSEMBLY



### 3 Insert Drop-In Anchors

Before inserting the Drop-In Anchors, apply a small amount of Epoxy into the four anchor holes and to the outside of the anchors. Insert the Drop-In Anchors into the holes and gently tap them in being careful not to damage the thread (they should sit flush with or just below the deck). Once in place, using the Setting Tool, forcefully strike the inside of the anchors to set them.



### CAUTION

Anchor must be set flush or slightly below surface



### CAUTION

DO NOT apply too much Epoxy

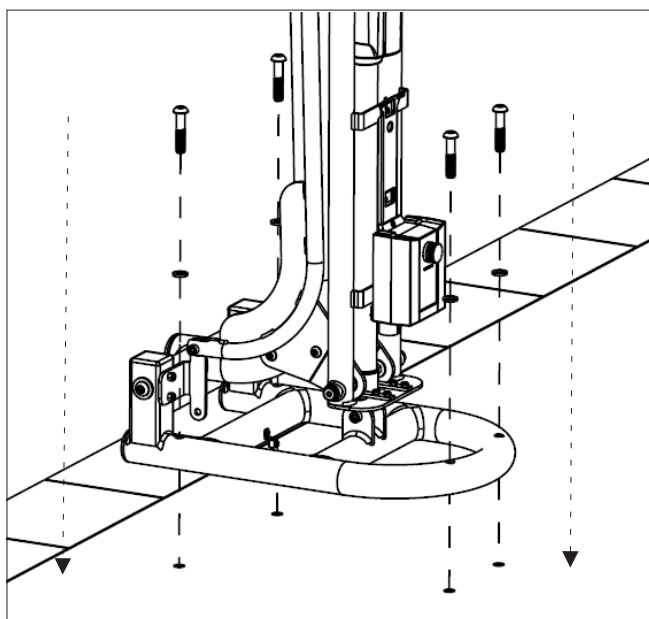


### CAUTION

DO NOT lift from the Actuator

### 4 Fasten Arm & Base Assembly

Align mounting holes with anchors, and tightly fasten with spring lock washer and bolts.

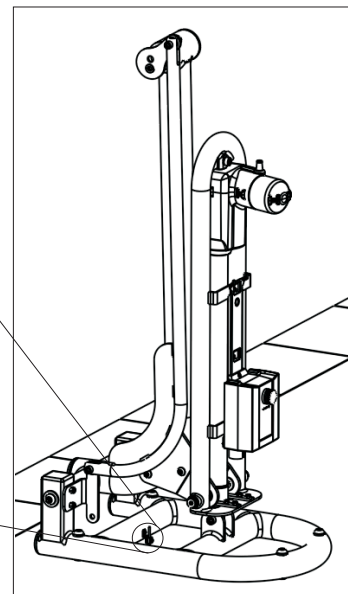
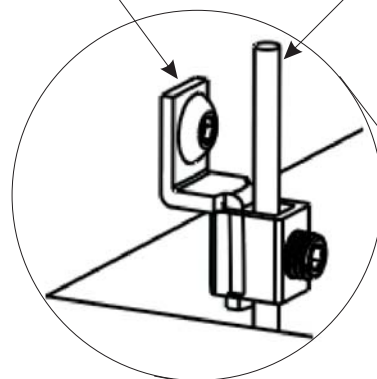


### 5 Attach Copper Wire

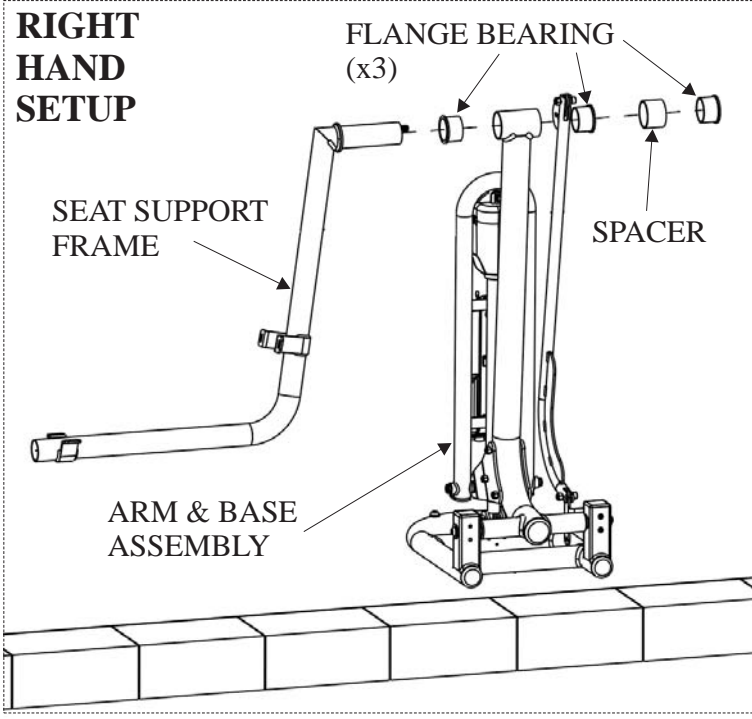
Fasten copper wire to Grounding Lug located within the Base of the assembly.

CHECK LOCAL ELECTRICAL CODE

GROUNDING LUG 8 GA COPPER WIRE



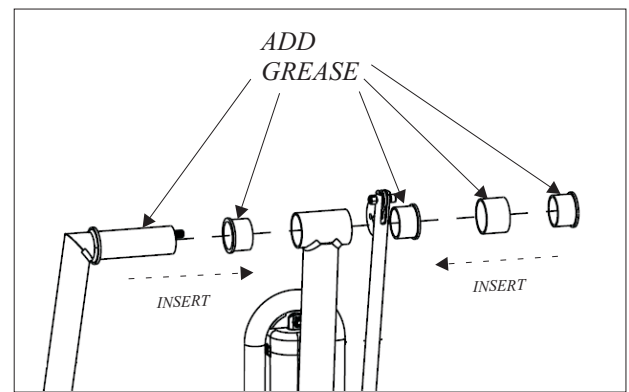




**6 Attach Seat Support Frame**

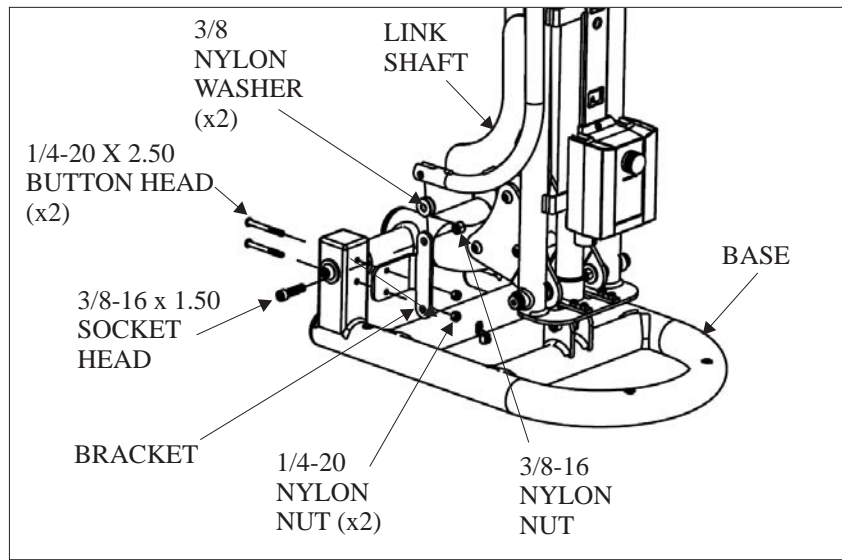
The P400 has ambidextrous seating which allows the seat to be set to face either side of the pool dependant on pool installation and/or preference, right hand setup is shown.

Once chosen, grease the surfaces of the Flange Bearings, Spacer, and the Seat Support Frame, if necessary, as shown in the picture. Insert the Flange Bearings into the Arm and insert the Seat Support Frame into the bearings, below.



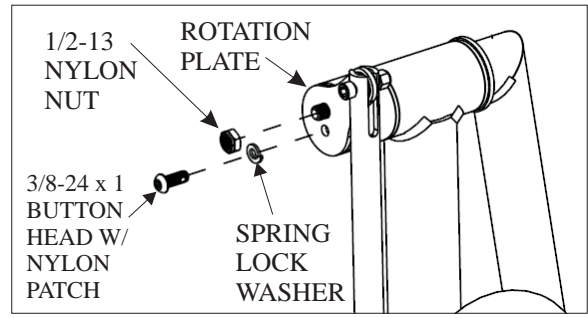
**7 Link Shaft Adjustment**

The Link shaft should be attached and fastened on the opposite side of the Seat Support Frame. If this is not the case, then simple unfasten the Link Shaft & Bracket and attach it onto the other side of the base.



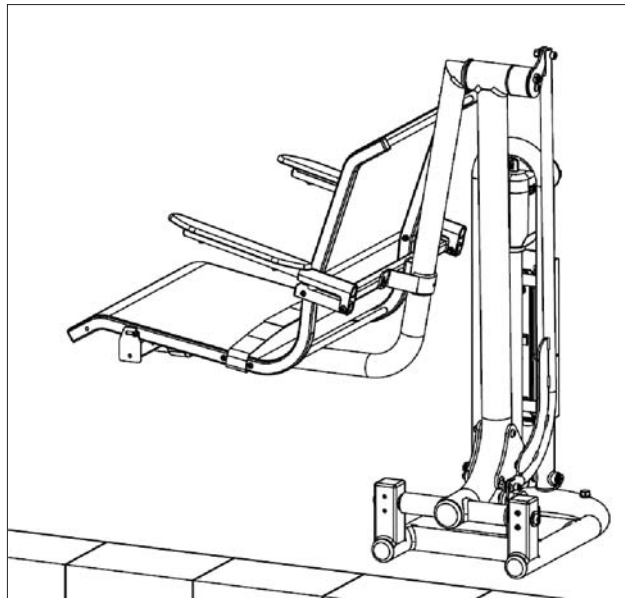
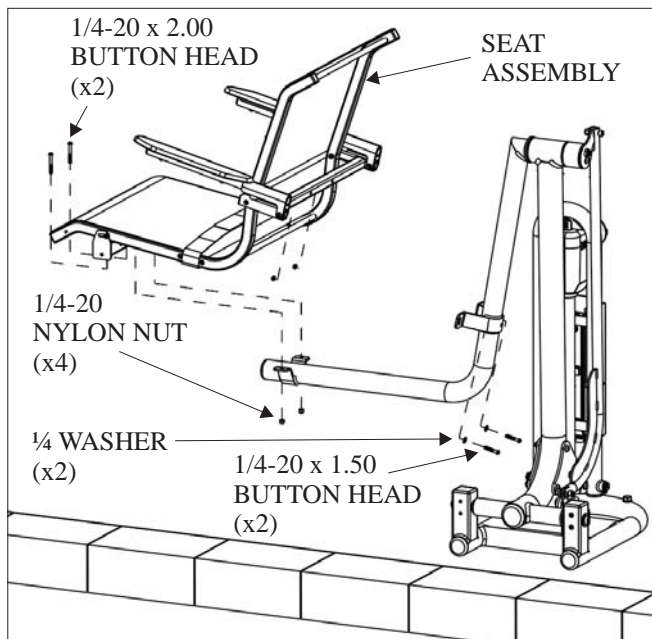
**8 Attach Rotation Plate**

Rotate the Rotation Plate forward and fasten to Seat Support Frame with the appropriate fasteners.

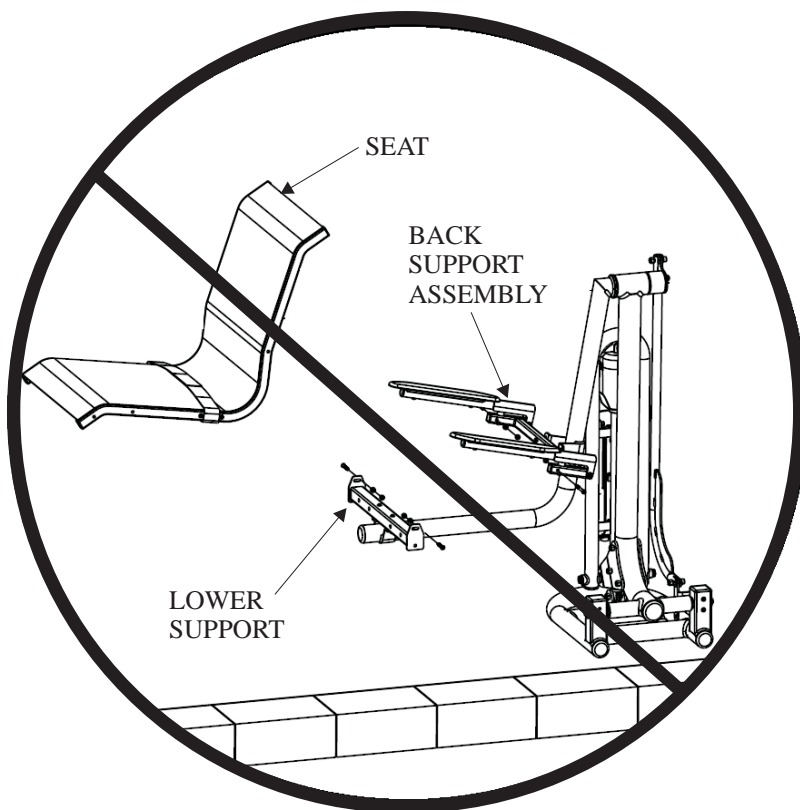


9 **Attach Seat Assembly**

Rest Seat Assembly onto Seat Support Frame, align holes, and tightly fasten with respective fasteners.



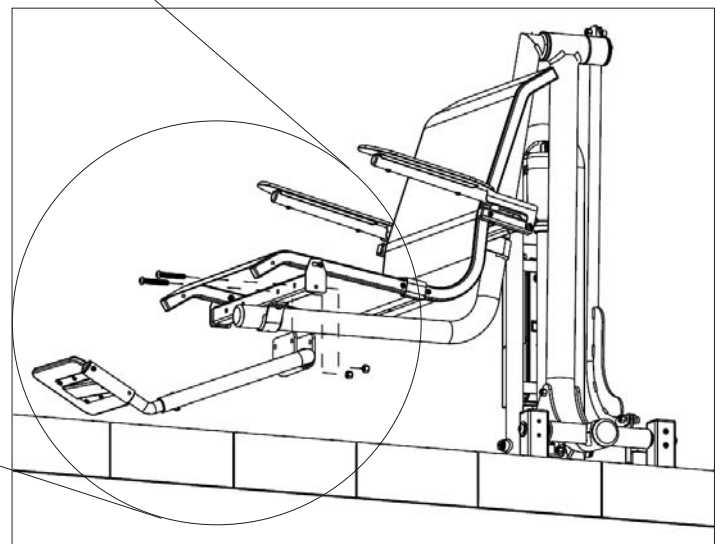
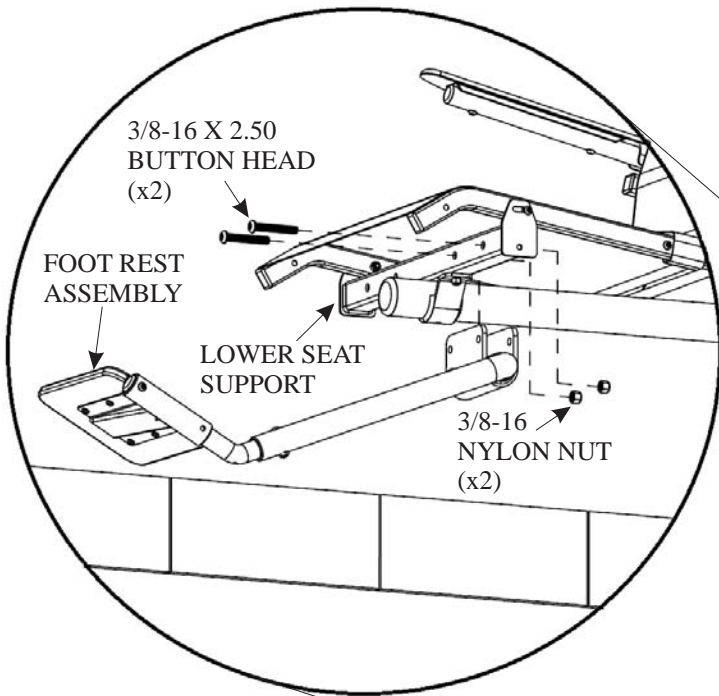
 **CAUTION**  
DO NOT unfasten or disassemble Seat from Back & Lower Supports.





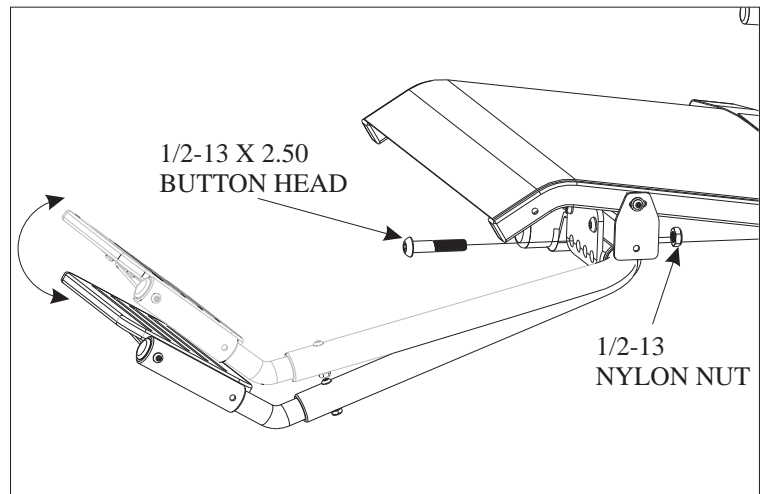
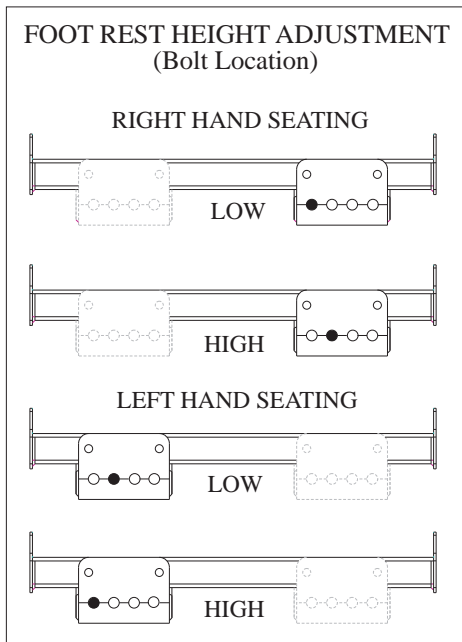
### 10 Attach Foot Rest Assembly

The foot rest is designed to be ambidextrous, to allow for right & left hand seating. The Foot Rest should always be on the side nearest to the water. To attach the Foot Rest Assembly, simply align the holes on the Foot Rest Assembly with that of the Lower Seat Support and fasten with the supplied hardware.

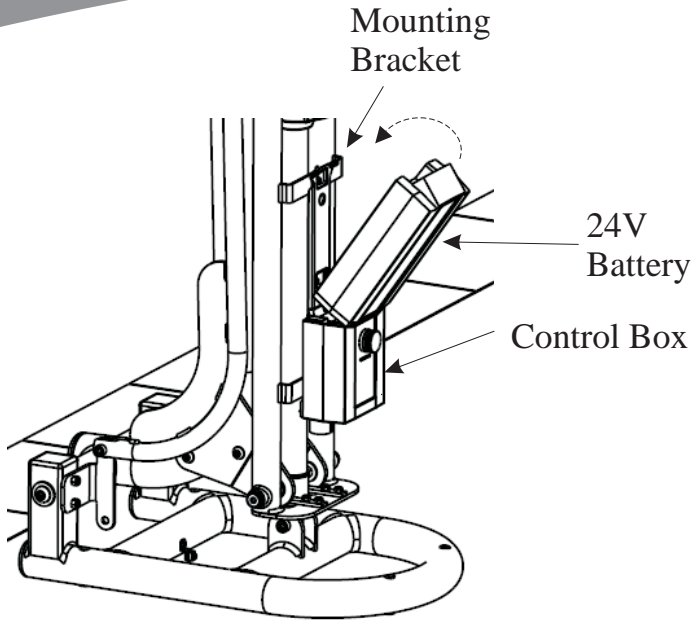


### 11 Foot Rest Adjustment

The Foot Rest has two settings, high and low, depending on the desired height. To adjust the height of the Foot Rest, remove the bolt, adjust the height up or down, align the holes at the desired height, reinsert the bolt into the correct hole, as shown below, and fasten.

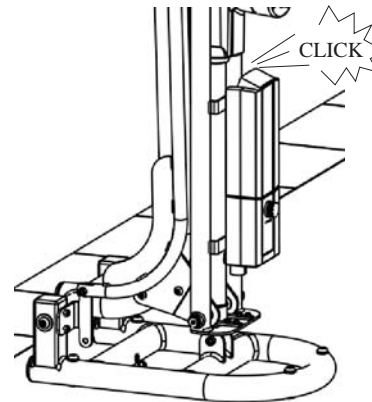






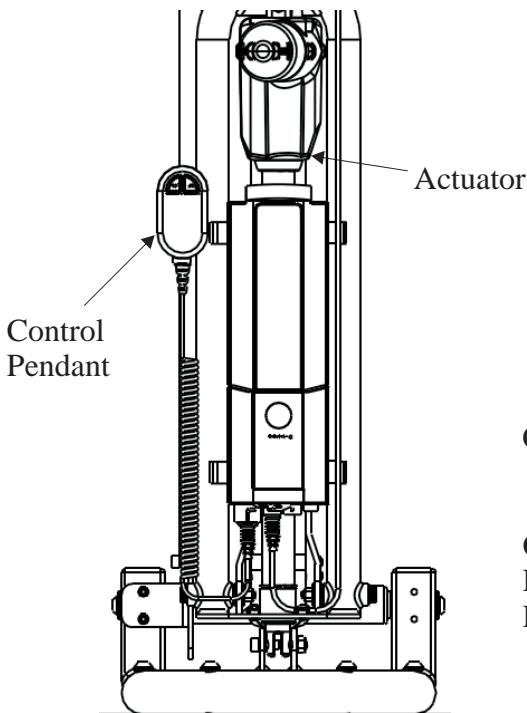
12> **Installing 24V Battery onto Lift:**

Place FULLY charged Battery onto Control Box and lift up until the Battery engages the Mounting Bracket. The latch on the Battery will click when engaged properly and will be fixed tightly on top of the Control Box.



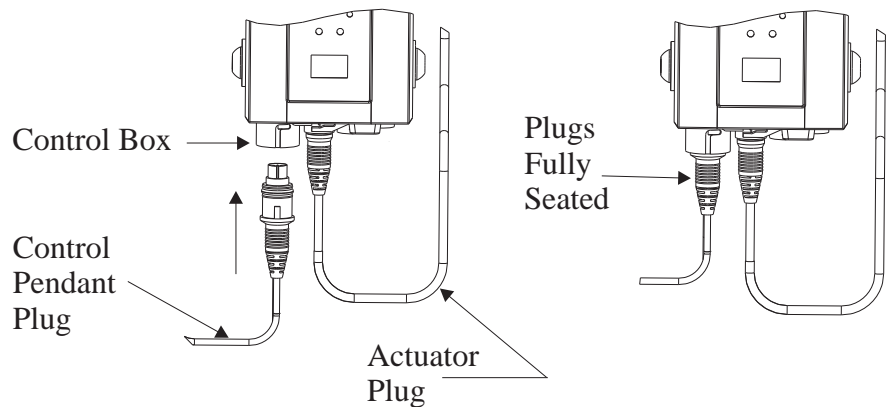
**WARNING**

**ALWAYS** detach the Battery when NOT in use and place onto the Charger to ensure a FULLY operating Battery when needed



13> **Connecting Control Pendant:**

Insert Control Pendant plug into Control Box port by aligning key on plug with key way on the port. This will ensure that the pins on the plug align with that of the Control Box. Press firmly to ensure that the plug is fully seated within the port. Also, firmly press in the actuator plug to ensure that it is seated properly into its respective port.



**WARNING**

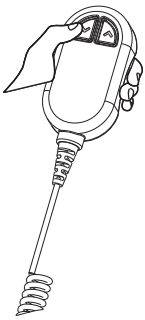
**Lift WILL NOT** operate if the Control Pendant and/or the actuator plugs are NOT fully seated within their respective ports of the Control Box.



**BEFORE OPERATING THE LIFT:**

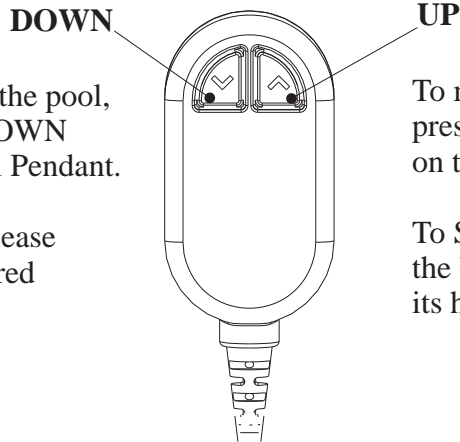
- 1 Always make sure that the area around the lift is clear before operating.
- 2 Never operate the lift with any person within the operating range of the lift, including the deck and/or water.
- 3 **DO NOT** allow anyone to operate the lift without adult supervision.
- 4 **DO NOT** allow children to play on or around the lift at any time.
- 5 Check all fasteners and joints for tightness and wear before each use.

**OPERATING THE LIFT**



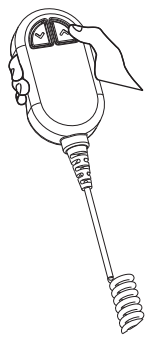
To move the lift into the pool, press and hold the DOWN button on the Control Pendant.

To STOP moving, release the button at the desired depth.



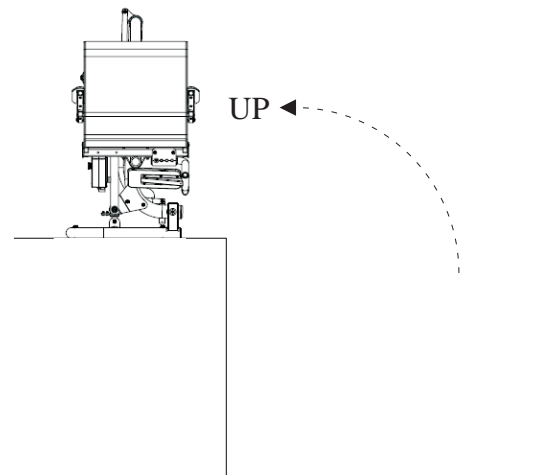
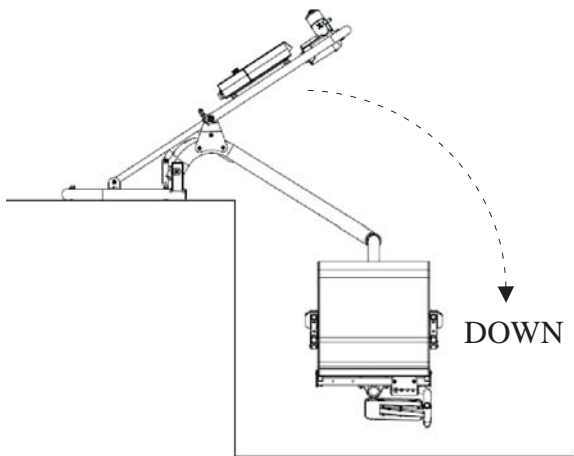
To move the lift out of the pool, press and hold the UP button on the Control Pendant.

To STOP moving, release the button once the lift is at its highest point or has stopped.



**CAUTION**

If the "DOWN" button is NOT released, the lift will continue to a depth below the crest of the water.



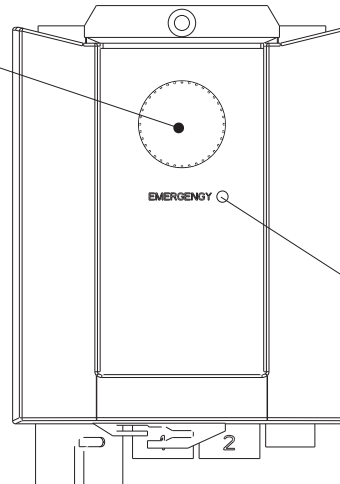
**CAUTION**

**Lift is ALWAYS to be operated under the direct supervision of an Able-Bodied Adult.**

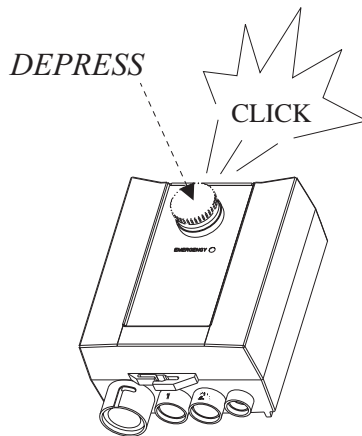
## EMERGENCY BUTTONS

On the front of the Control Box there are two emergency buttons, "EMERGENCY STOP" & "EMERGENCY UP."

EMERGENCY  
"STOP" BUTTON

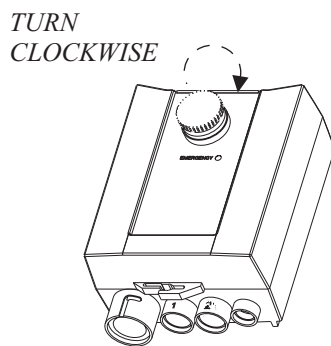


EMERGENCY  
"UP" BUTTON



### Emergency "STOP" Button:

The Emergency Stop Button is the larger red button on the front of the Control Box. To ENABLE the "Emergency Stop" button, depress the button so it clicks and locks in its depressed position. This will disable the lift and stop it immediately at the location in which the Emergency Button was depressed. The button will remain locked until it is released.



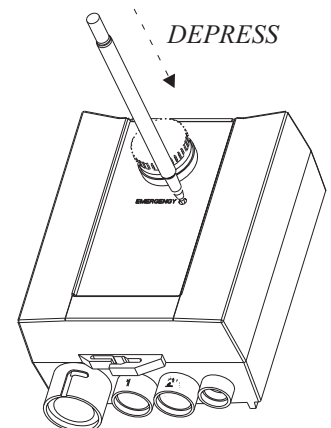
**WARNING**

**The lift WILL NOT function until the Emergency Button has been released.**

To RELEASE the "Emergency Stop" button and resume operation of lift, simply turn the button clockwise until it pops out.

### Emergency "UP" Button:

The Emergency Up Button is the small recessed button located next to the word "EMERGENCY" on the front of the Control Box. To use; take a pen, pencil, or any object with a point, depress the button, and hold until the lift is all the way up. This will bypass the Control Pendant and raise the lift.



**WARNING**

**This function will only work if the Battery is sufficiently charged, properly attached, and if the Control Box is operating properly.**



## MAINTENANCE & CARE

The lift should be cleaned routinely to ensure the life and integrity of the lift. Cleaning product is entirely up to the owner as there are many to choose from. For routine cleaning, it is recommended to use gentle soaps, detergents, or a diluted mixture of ammonia. If scrubbing is required for tough stains, use a soft scrub with brisk rubbing.

### **DAILY USE:**

If the lift is used daily, be sure to wash the lift at the end of each day. Wash the lift with fresh water a mild soap and a soft cloth. Do not use bristled brushes or steel wools to clean the lift as it will scrap off the powder coating. Check that the lift is working properly and then place the battery on the charger. It is recommended that the battery be charged after every use.

### **WEEKLY USE:**

If the lift is used weekly, follow the same procedure as above. Also be sure to check all of the contact points (terminals) for damage or corrosion. If you notice corrosion gently clean the terminals. To clean corrosion from the terminals use a q-tip and some rubbing alcohol. If the corrosion is particularly stubborn try using a 3M scotch brite pad, but be careful not to damage the terminals. Apply dielectric grease to the terminals after cleaning them. This will help to prevent further corrosion. Do not leave the battery on the lift when not in use. Always store the battery on the charger whenever the lift is not being used.

### **MONTHLY USE:**

If the lift is used monthly, follow the same steps as above. Also check the nuts and bolts to make sure they are securely fastened (this is always a good idea, no matter how often or infrequently the lift is used). Also make sure to store the battery on the charger and not on the lift. Leaving the battery on the lift for extended periods will significantly shorten the battery's life span.

### **STORED/OCCASIONAL USE:**

If the lift is not used often and is stored for an extended period of time, follow all of the steps above. Check for rusting at all crevice, weld points, and fasteners. If you notice rusting spray some WD-40 on the affected area and take a 3M scotch brite pad and rub briskly. Afterwards be sure to wash and rinse the lift again with soap and fresh water. When storing the lift make sure it is in a dry area and covered. **DO NOT STORE** in or around pool chemicals.



## **CAUTION**

-  **ALWAYS** clean the lift with **FRESH** water only.
-  **NEVER** use the pool or chemically treated water for cleaning.

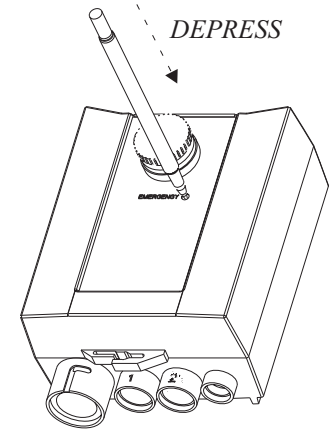
## TROUBLESHOOTING PROCEDURE

**\*\*THE BATTERY SHOULD BE FULLY CHARGED BEFORE TROUBLESHOOTING\*\***

**Issue:** Lift stopped moving over the water.

**1 Procedure:** Push the “EMERGENCY” BUTTON.

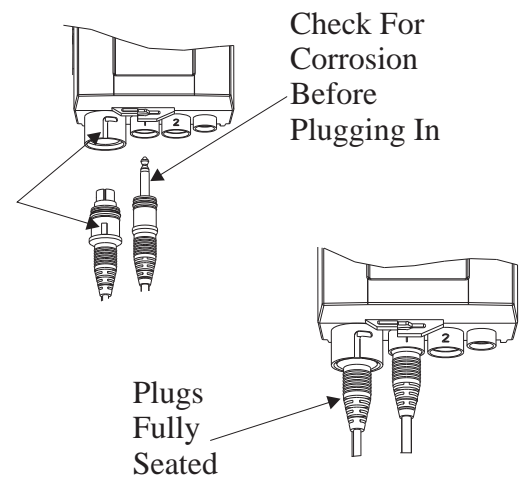
If the lift gets stuck over or in the water and the Control Pendant does not raise the lift, then using a pen, pencil, or pointed object, depress the button located on the Control Box next to the word “EMERGENCY”. This will bypass the Control Pendant and raise the lift. If this does not raise the lift, then the remote may be fine and the problem is with either the Battery, Control Box, or damaged cables.



**Issue:** Lift will not operate, when buttons on control pendant is pressed.

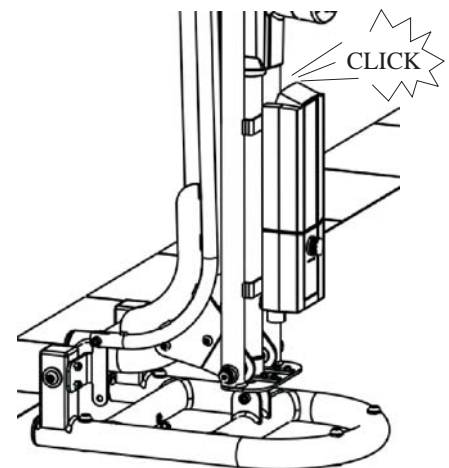
**1 Procedure:** Check Cable Connections to Control Box.

Check underneath the Control Box to be sure that all cables are properly seated within their respective ports. The plugs should be recessed within those ports. Verify by unplugging both the Control Pendant and the Actuator cables. Check that there is no corrosion or damage to the connectors/pins. Plug the Control Pendant back into the Control Box by aligning key on plug with key way on the port. Press in firmly to ensure that the plug is fully seated within the port. For the actuator, insert the cables jack into its port and press in firmly.



**2 Procedure:** Check Battery Connections.

Check that the Battery Pack is properly secured onto the Mounting Bracket. The Battery pack should be locked in place with nearly no movement if shaken. Verify by unlatching from Mounting Bracket. Check that there is no corrosion or damage to the terminals on the Battery Pack and Control Box. If corroded or dirty, clean off using rubbing alcohol. Once cleaned, it is recommended to add dielectric grease to the terminals to prevent corrosion and to ensure good electrical contact. Reinstall the Battery Pack onto the Control Box. When properly engaged onto the Mounting Bracket, the latch on the back of the Battery Pack will “CLICK”. If lift fails to lift, then try another fully charged battery. If lift still fails to operate, then the Control Box will need to be replaced. Contact an Authorized lift dealer for component replacement.

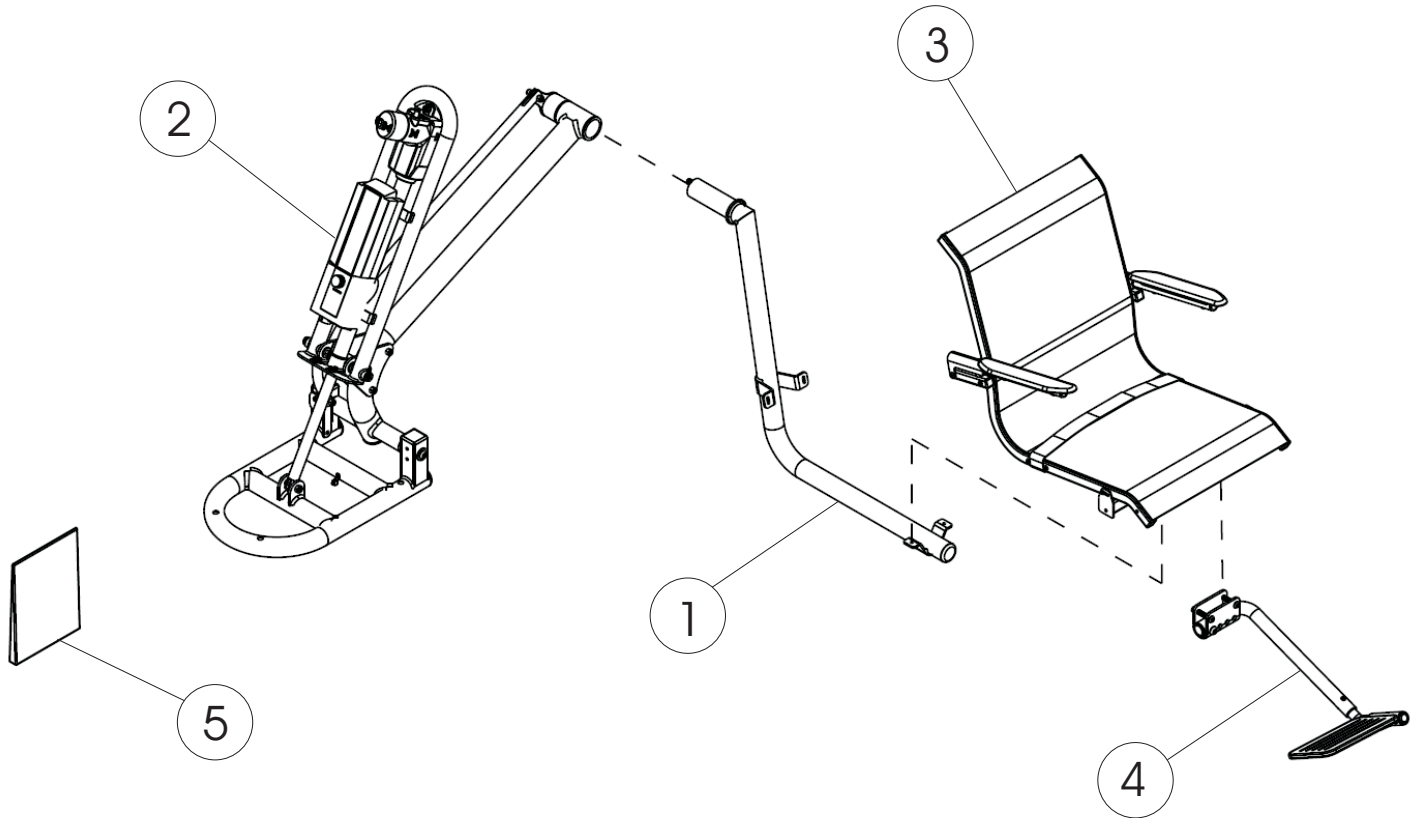


**CAUTION**

**The lift WILL NOT function if the Battery is not charged or if the Control Box is damaged or malfunctioning.**



# P400 ASSEMBLY

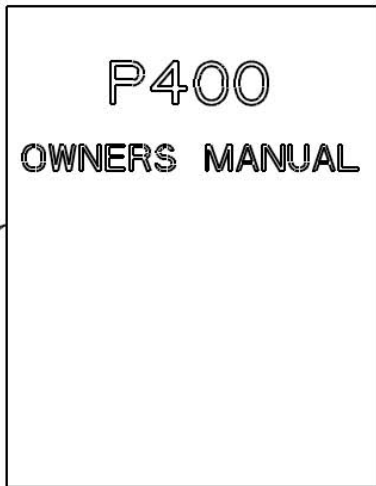
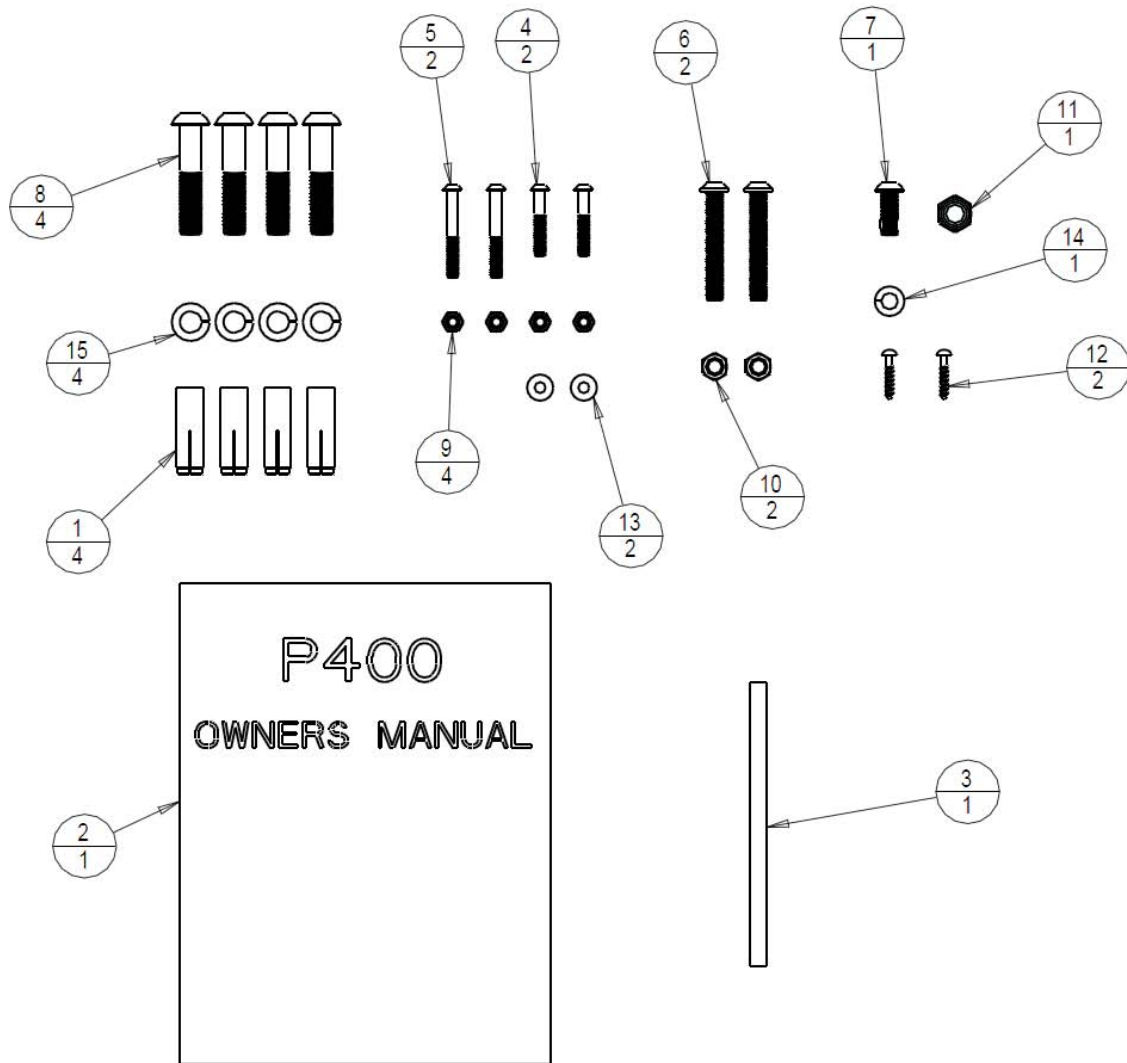


ASSEMBLY PARTS				
ITEM	QTY	PART NO.	DESCRIPTION	
1	1	210-2L03-C	SEAT SUPPORT FRAME	
2	1	N/A	ARM & BASE ASSEMBLY	
3	1	N/A	SEAT ASSEMBLY	
4	1	N/A	FOOT REST ASSEMBLY	
5	1	H00-2A03-A	HARDWARE PACK	





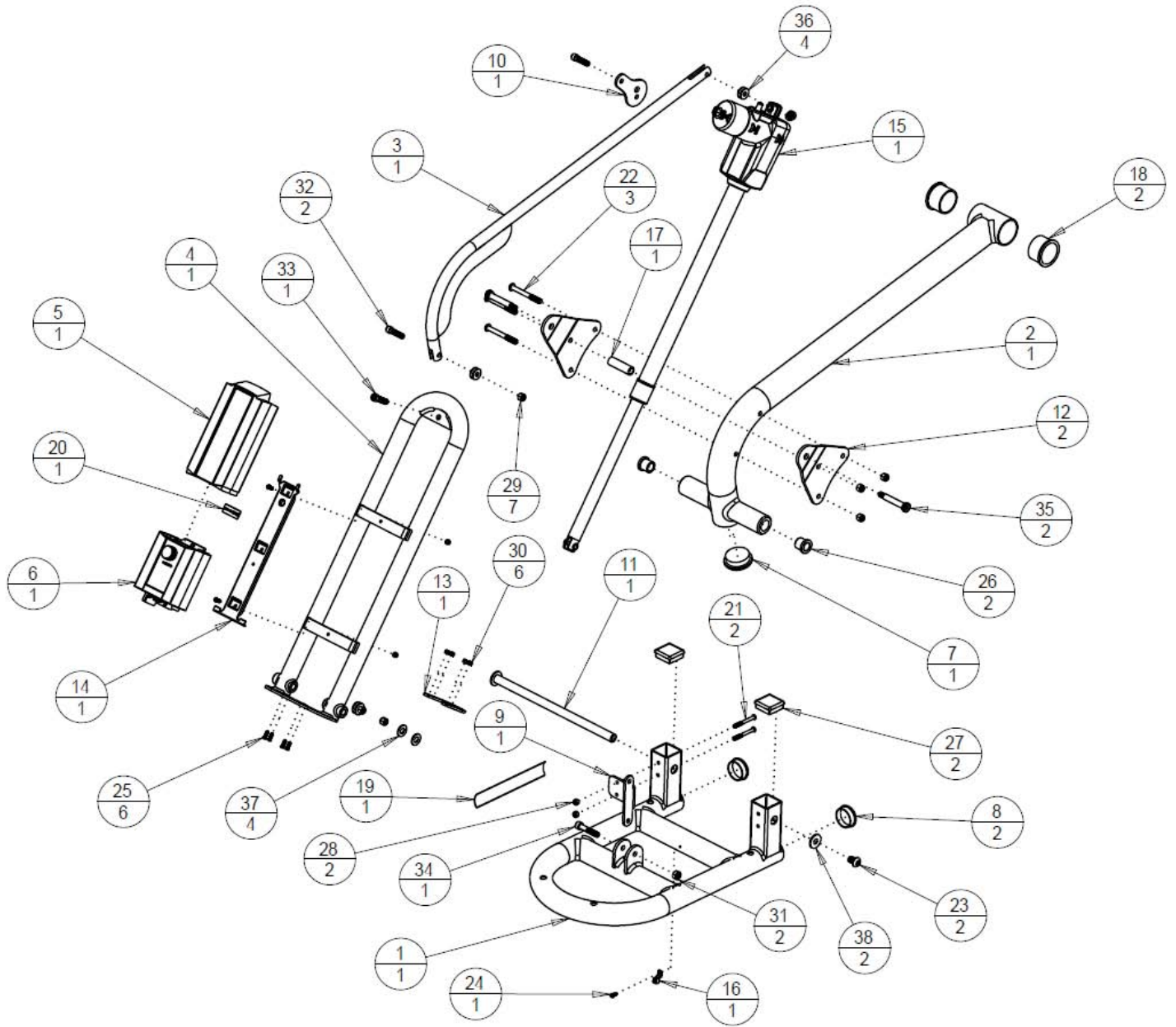
# HARDWARE PACK



ASSEMBLY PARTS			
ITEM	QTY	PART NO.	DESCRIPTION
1	4	540-2L03-A	1/2-13 DROP IN ANCHOR
2	1	902-3L03-A	OWNERS MANUAL
3	1	SB1-037-2-6_50	3/8 DIA X 6.50" L
4	2	BHCS-0_25-20--1_50-SS	BUTTON HEAD, 1/4-20 X 1.50, SS
5	2	BHCS-0_25-20--2_00-SS	BUTTON HEAD, 1/4-20 X 2.00, SS
6	2	BHCS-0_37-16--2_50-SS	BUTTON HEAD, 3/8-16 X 2.50, SS
7	1	BHCS-0_37-24--1_00-NP-SS	BUTTON HEAD W/ NYLON PATCH, 3/8-24 X 1.00, SS
8	4	HHCS-0_50-13--2_50-SS	HEX HEAD, 1/2-13 X 2.50, SS
9	4	NUT-0_25-20-NYLOCK-SS	NYLOCK NUT, 1/4-20 , SS
10	2	NUT-0_37-16-NYLOCK-SS	NYLOCK NUT, 3/8-16, SS
11	1	NUT-0_50-13-NYLOCK-NTE-SS	NYLOCK NUT, THIN, 1/2-13, SS
12	4	RHWS-10-1_00-Z	ROUND HEAD WOOD SCREW, Number 10 X 1.00, Z
13	2	WASH-0_25-0_62--0_04-RH-SS	WASHER, FLAT, 1/4", SS
14	1	WASH-0_37-0_68--0_09-SL-SS	WASHER, SPRING LOCK, 3/8 ID, SS
15	4	WASH-0_50-0_87--0_12-SL-SS	SPLIT LOCK WASHER 1/2, SS



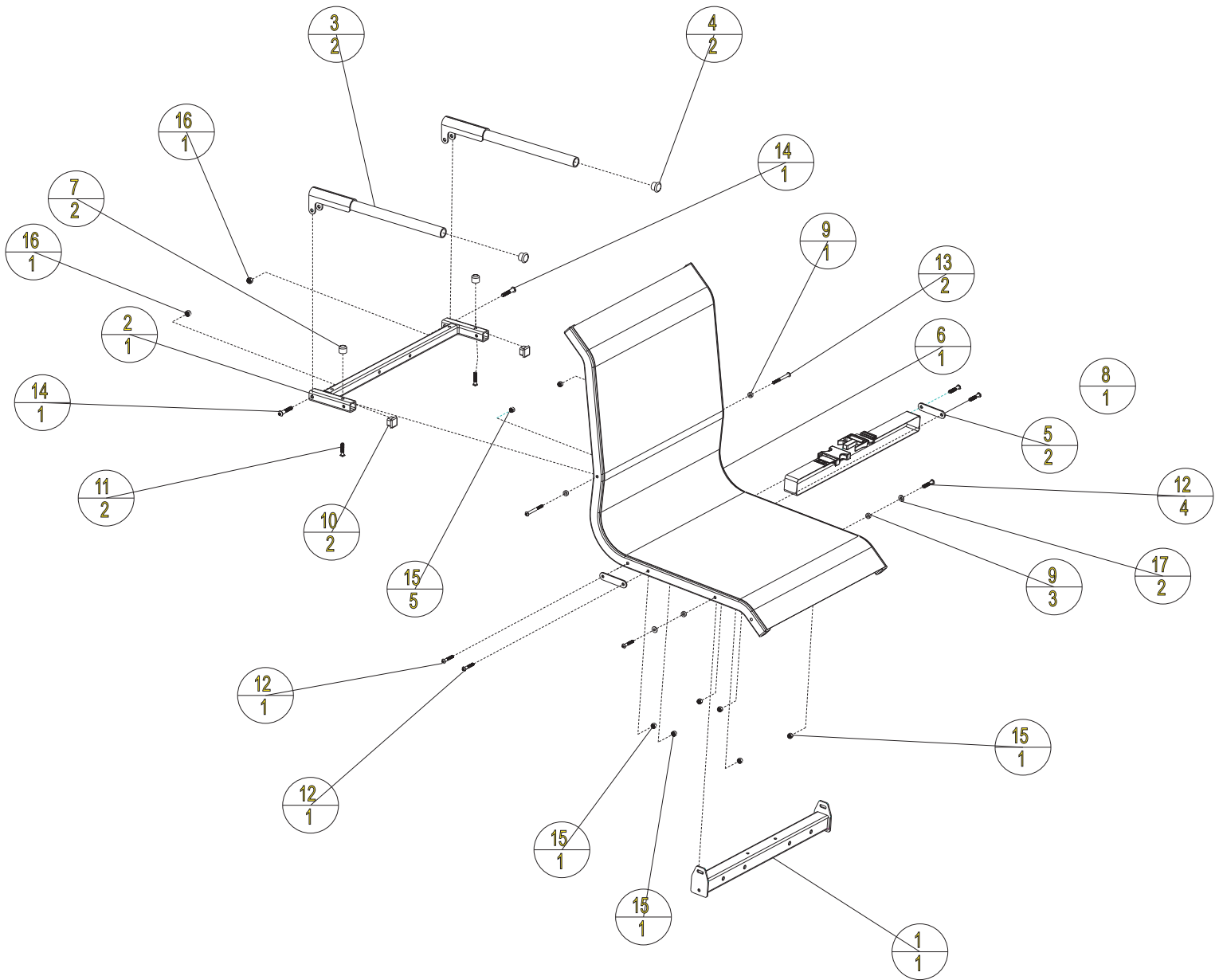
# ARM & BASE ASSEMBLY



ASSEMBLY PARTS				ASSEMBLY PARTS			
ITEM	QTY	PART NO.	DESCRIPTION	ITEM	QTY	PART NO.	DESCRIPTION
1	1	200-2L03-C	BASE	20	1	ALA99995	LABEL, SERIAL NUMBER
2	1	201-2L03-C	ARM	21	2	BHCS-0_25-20-2_50-SS	BUTTON HEAD, 1/4-20 X 2.50, SS
3	1	202-2L03-C	LEVELING ARM	22	3	BHCS-0_37-16-3_50-SS	BUTTON HEAD, 3/8-16 X 3.50, SS
4	1	204-2L03-A	ACTUATOR BRACKET	23	2	BHCS-0_50-13-0_75-NP-SS	BUTTON HEAD W/ NYLON PATCH, 1/2-13 X 0.75, SS
5	1	320-2L02-A	BATTERY PACK	24	1	BHCS-10-24-0_50-NP-SS	BUTTON HEAD W/ NYLON PATCH, 10-24 X 0.50, SS
6	1	321-2L02-A	CONTROL BOX	25	6	BHCS-10-24-0_62-SS	BUTTON HEAD, 10-24 X 0.62, SS
7	1	401-2L03-A	ROUND PLUG, 2.50" DIA	26	2	BRNG-0_75-1_00-FLNG-BRNZ	BRONZE BUSHING, 0.75" DIA, SHAFT
8	2	402-2L02-A	ROUND PLUG, 2.00" DIA	27	2	H2688	2 X 2 PLASTIC CAP
9	1	504-2L03-C	BRACKET	28	2	NUT-0_25-20-NYLOCK-SS	NUT, NYLOCK, 1/4-20, SS
10	1	514-2L03-C	ROTATION PLATE	29	7	NUT-0_37-16-NYLOCK-SS	NUT, NYLOCK, 3/8-16, SS
11	1	557-2L03-C	PIVOT SHAFT	30	6	NUT-10-24-NYLOCK-SS	NUT, NYLOCK, 10-24, SS
12	2	566-2L03-C	ACTUATOR PLATE	31	2	NUT-M10-1_5-NYLOCK, SS	NUT, NYLOCK, M10 X 1.5, SS
13	1	567-2L03-C	ACTUATOR HOLDER	32	2	SHCS-0_37-16-1_50-SS	SOCKET HEAD, 3/8-16 X 1.50, SS
14	1	599-2L02-A	CONTROL BOX MOUNTING BRACKET	33	1	SHCS-M10-1_5-40MM-SS	SOCKET HEAD, M10-1.5 X 40MM, SS
15	1	801-2L02-A	ACTUATOR	34	1	SHCS-M10-1_5-55MM-SS	SOCKET HEAD, M10-1.5 X 55MM, SS
16	1	907-2L02-A	COPPER SET SCREW LUG	35	2	SHSB-0_50-2_50-SS	SHOULDER BOLT, 1/2 X 2.50, 3/8-16 THREAD, SS
17	1	TU1-075-120-2.50-DOM-SS-304L-C	SPACER TUBE, 0.75" DIA	36	4	WASH-0_40-1_00-0_50-N	WASHER, 0.40 ID X 1.00 OD X 0.05, WHITE NYLON
18	2	ALA05010	FLANGE BEARING, 2.00"	37	4	WASH-0_50-1_06-0_08-RH-SS	WASHER, FLAT, 1/2 ID X 1.06 OD, SS
19	2	910-2L02-A	STICKER	38	2	WASH-0_50-1_37-0_12-RH-SS	WASHER, FLAT, 1/2 ID X 1.37 OD, SS



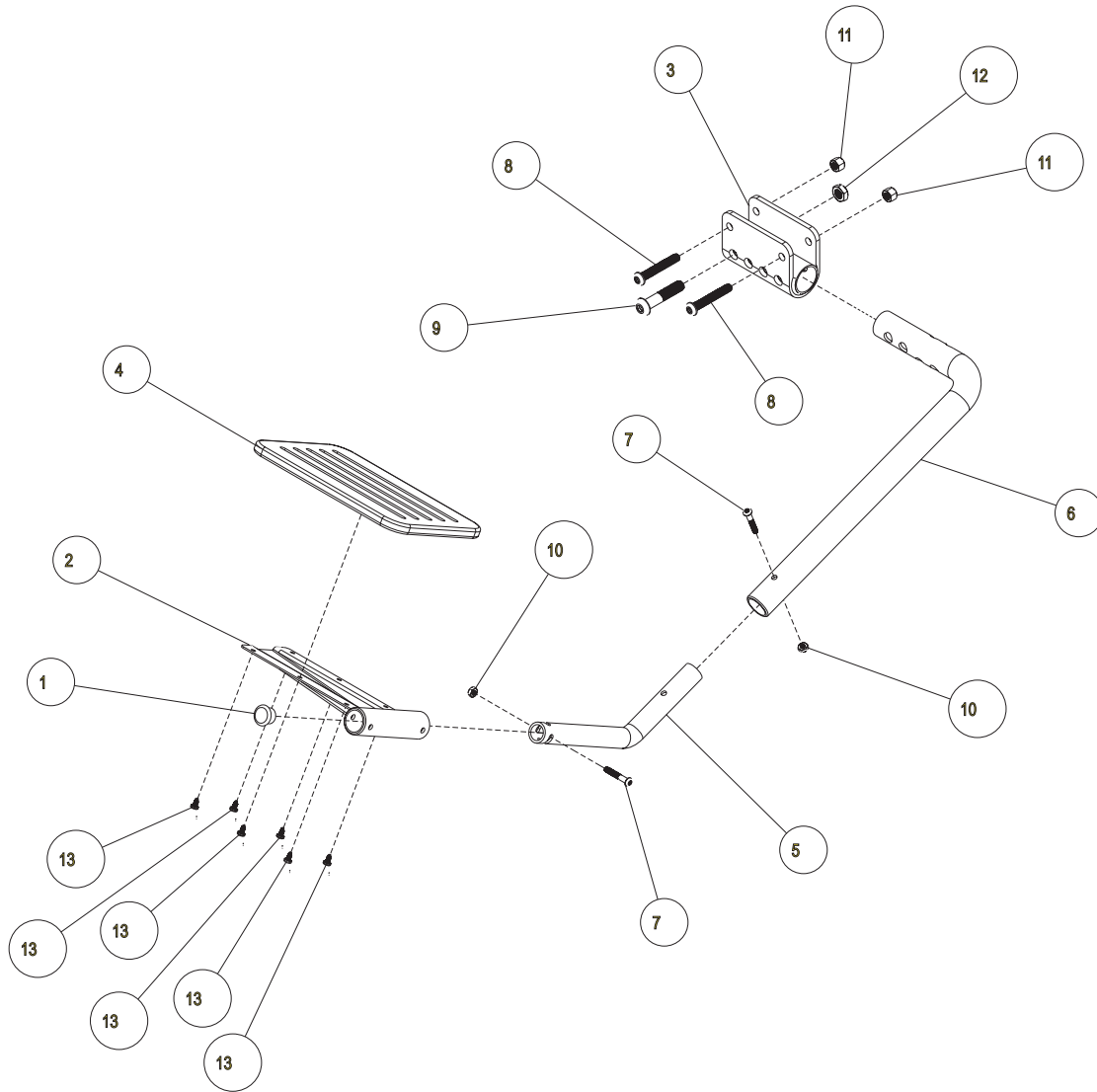
# SEAT ASSEMBLY



ASSEMBLY PARTS				
ITEM	QTY	PART NO.	DESCRIPTION	
1	1	204-2L02-C	SEAT LOWER SUPPORT	
2	1	213-2L02-C	BACK BRACKET	
3	2	214-2L02-C	ARMREST	
4	2	410-2L02-A	PLUG (1" DIA RND TUBE)	
5	2	542-2L02-C	PLATE	
6	1	900-2L02-A	SEAT	
7	2	906-2L02-A	RUBBER BUMPER	
8	1	911-3L02-A	SEAT BELT	
9	4	SPCR-0_25-0_50-0_18-N	SPACER, 1/4 ID X 0.18, NYLON	
10	2	ALA25025FP	END CAPS	
11	2	BHCS-0_25-20-1_25-SS	BUTTON HEAD, 1/4-20 X 1.25, SS	
12	6	BHCS-0_25-20-1_50-SS	BUTTON HEAD, 1/4-20 X 1.50, SS	
13	2	BHCS-0_25-20-2_50-SS	BUTTON HEAD, 1/4-20 X 2.50, SS	
14	2	BHCS-0_31-18-1_75-SS	BUTTON HEAD, 5/16-18 X 1.75, SS	
15	8	NUT-0_25-20-NYLOCK-SS	NYLOCK NUT, 1/4-20, SS	
16	2	NUT-0_31-18-NYLOCK-SS	NYLOCK, 5/16-18, SS	
17	2	WASH-0_25-0_62-0_04-RH-SS	WASHER, FLAT, 1/4", SS	



# FOOT REST ASSEMBLY



ASSEMBLY PARTS				
ITEM	QTY	PART NO.	DESCRIPTION	
1	1	410-2L02-A	PLUG (1" DIA RND TUBE)	
2	1	211-2L02-C	FOOT PLATE SUPPORT	
3	1	212-2L02-C	HOUSING WELDMENT	
4	1	416-2L02-A	FOOT PLATE	
5	1	567-2L02-C	LOWER LEG TUBE	
6	1	568-2L02-C	UPPER LEG TUBE	
7	2	BHCS-0_25-20--1_50-SS	BUTTON HEAD, 1/4-20 X 1.50, SS	
8	2	BHCS-0_37-16--2_50-SS	BUTTON HEAD, 3/8-16 X 2.50, SS	
9	1	BHCS-0_50-13--2_50-SS	BUTTON HEAD, 1/2-13 X 2.50, SS	
10	2	NUT-0_25-20-NYLOCK-NTE-SS	NYLOCK NUT, THIN, 1/4-20, SS	
11	2	NUT-0_37-16-NYLOCK-SS	NYLOCK NUT, 3/8-16, SS	
12	1	NUT-0_50-13-NYLOCK-NTE-SS	NYLOCK NUT, THIN, 1/2-13, SS	
13	6	PHTS-10-32--0_37-SS	PAN HEAD, THREAD FORMING, 10-32 X 0.37, SS	









## POOL LIFTS THREE YEAR NON-TRANSFERABLE LIMITED WARRANTY

Harmar warrants ONLY to the original purchaser of the product manufactured by Harmar, assembled and installed in accordance with Harmar's assembly and installation instructions, properly used and maintained, shall be free from defects in material and workmanship for a period of three (3) years from the date of original purchase, with the exception of the following items: Battery Pack and Seat each have a one (1) year warranty from the date of original purchase.

The Pool Lift has a three (3) year warranty on the frame/mechanical, electrical & motor components, excluding powder coated paint finish, which may become scratched or chipped with normal use. The Battery Pack and Seat, including seat frame, spreader bars, sling, and powder coat paint finish have a one (1) year warranty. Within the warranty period, Harmar will repair or replace any item deemed to be found defective. Normal maintenance and care of the unit, including charging the battery when not in use is recommended.

**IMPORTANT:** Weight capacity of pool lift seat and its seat support frame is NOT to exceed the **MAXIMUM LIFTING CAPACITY of 400 lb [181 kg]**.

The warranty is non-transferable and is subject to the following terms and conditions:

- ❏ Harmar shall not be responsible for the cost of removal or replacement of any defective Harmar product, nor for any other expenses or for damages which might be incurred in such removal or replacement.
- ❏ This warranty specifically excludes fading or staining of material, rust or corrosion of any metallic material, and cleaning of Harmar products.
- ❏ This warranty relates only to defects in material and workmanship and DOES NOT cover any damages or failures resulting from other causes, including, but not limited to Acts of God, misuse or abuse, accident or negligence, fire, improper assembly or installation, chipping or flaking of powder coating, weather damages, including ice and sand, improper maintenance of any products, or normal wear and tear from day to day use.
- ❏ Damages induced by the improper use of chemicals is not covered by this warranty.
- ❏ In the event that any products are altered, repaired, or improperly installed or improperly used by anyone without prior written approval by Harmar, all warranties will be void.
- ❏ Harmar shall not be liable for any consequential, special or incidental damages, including, but not limited to any damages for loss of use of pools or injuries to person or property, and any claims therefore are hereby specifically disclaimed and excluded. Some states do not allow the exclusion or limitation of incidental, special or consequential damages, so the above limitation or exclusion may not apply to you. This warranty gives you specific legal rights and you may also have other rights, which may vary from state to state. The warranty is extended to, and enforceable only by the original retail purchaser.
- ❏ If any Harmar products fail during the warranty period as a result of a defect in material or workmanship covered by this warranty, the original retail purchaser is to contact the installer of the lift or place of purchase to assess the defect or damage. Defective parts must be returned, prepaid, to Harmar at 2075 47th Street, Sarasota, Florida 34234, for inspection prior to credit, repair or replacement at Harmar's option. Harmar's sole obligation and the exclusive remedy under this warranty is limited to such credit, repair or replacement.
- ❏ A new warranty period shall not be established for the repaired or replaced products. Such products shall remain under warranty for the remainder of the original warranty period on the original products purchased.



This written limited warranty constitutes the final, complete and exclusive statement of warranty terms. No person or organization is authorized to make any other specific or implied warranties or representations on behalf of Harmar.

The warranties set forth herein are in lieu of all other warranties, expressed or implied, which are hereby disclaimed and excluded, including without limitation any warranty of merchantability or fitness for a particular purpose or use.

The sole and exclusive remedies for breach of any and all warranties with respect to the products shall be limited to repair or replacement at Harmar's designated factory location, or duly appointed distributor, or in place at Harmar's option. In no event shall Harmar's liability exceed the entire amount paid to Harmar by the original purchaser for the failed or defective product.

In no event shall Harmar be liable for any incidental, consequential, special, indirect, punitive or exemplary damages or lost profits from any breach of this limited warranty or otherwise



*THANK YOU FOR MAKING HARMAR AMERICA'S LEADER IN LIFTS*



2075 47th Street, Sarasota, Florida 34234 | [www.harmar.com](http://www.harmar.com) | 1-800-833-0478