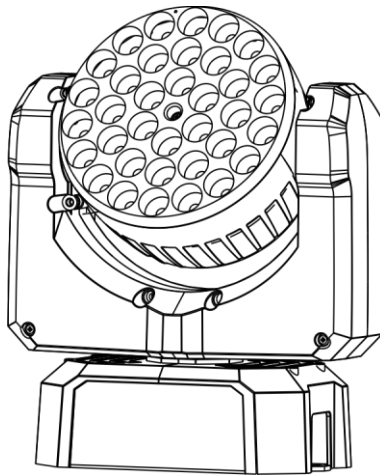




User manual



IW36-3-White



Please read the manual before installing and using this lighting
Keep it for future reference

Contents

Introduction	2
Overview and Dimensions.....	3
Safety information	4
Power connection	5
DMX protocol.....	7
Button	9
Menu	10
Technical parameters	14

Introduction

Thank you for using our products!

LM-2012 is a very small and light LED Moving head light, its weight is only 3.6 kg. Its beam is very narrow and very bright . It runs extremely fast. It is suitable for bar, disco, stage , decoration ,etc .

This product complies with the following standards:

IEC60598-1:2003

IEC60598-2-17:1984+A2:1990

Main features

36 Pcs high-power 3W CREE XP-E LED

Excellent mixed color system

Linear adjustment, dimmer very smooth

Tight, punchy beam

compact, silent design

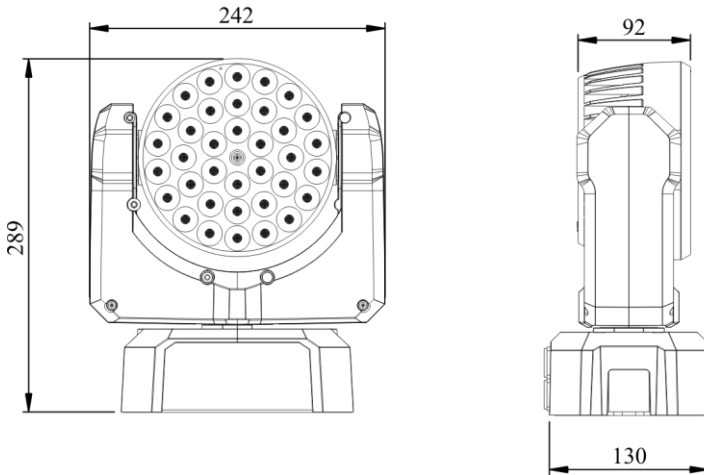
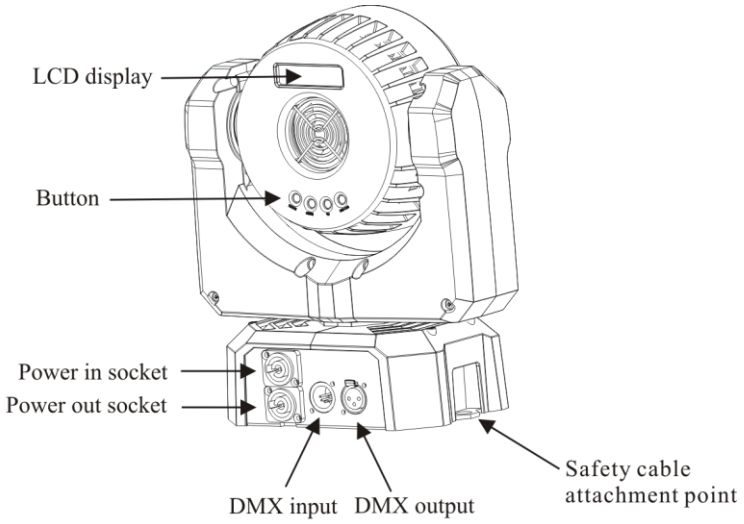
Speedly

Blue LCD display

Standar DMX-512 communication protocol

Easy for power connection

Overview and Dimensions



All dimensions are in millimeters

Safety information

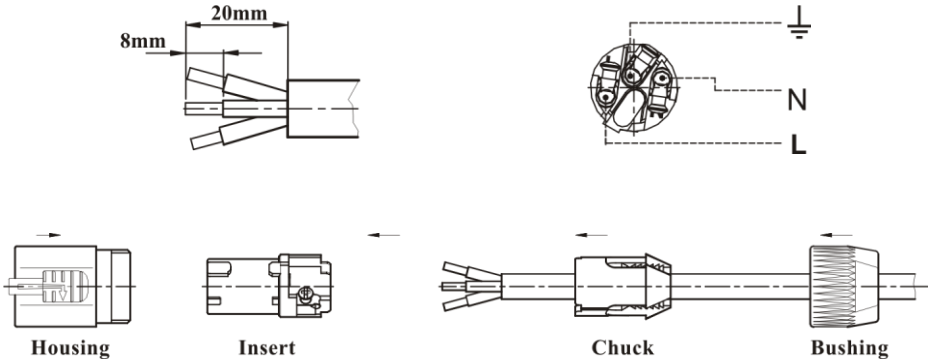
important

Every person involved with the installation , operation and maintenance of this device has to be qualified and follow the instructions of this manual . Manufacturer will not with responsibility for those operation not according to this Instruction

- Verify that the voltage matches the rated voltage.
- When the voltage is 110V , Do not connect more than 10 lightings in total to AC mains power in one interconnected daisy chain
- When the voltage is 220V , Do not connect more than 20 lightings in total to AC mains power in one interconnected daisy chain
- Before using the fixture, check that all power distribution equipment and cables are in perfect condition and rated for the current requirements of all connected devices.
- Always ground (earth) the fixture electrically .
- Avoiding hit the Light when you are move or install the light .
- The minimum distance between light-output and the illuminated surface must be more than 0.5 meters. Keep all combustible materials (for example fabric, wood, paper) at least 0.2 meters away from the fixture .
- Do not expose the fixture to rain or moisture.
- Avoid looking directly into the light source (especially those who suffer from epileptic fits)
- Maximum ambient temperature (Ta) is 40°C. Do not operate fixture at temperatures higher than this .
- The Maximum surface temperature is 50°C
- When suspending the fixture above ground level, verify that the structure can hold at least 10 times the weight of all installed devices.
- Verify that all external covers and rigging hardware are securely fastened and use an approved means of secondary attachment such as a safety cable.

Power connection

Installing a Neutrik connector on a power cable

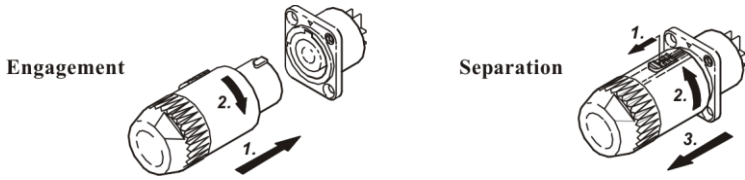


- Put bushing and chuck onto the cable.
- Prepare cable as shown above. The power cable must be a three-conductor 2.5mm² cable.
- Insert the wire into the terminals and fasten the clamping device by a flat screw driver.
- Push insert and chuck into housing (pay attention to the guiding keyway.)
- Fasten bushing.

the color-coding schemes and some possible pin identification schemes; if pins are not clearly identified, or if you have any doubts about proper installation, consult a qualified electrician

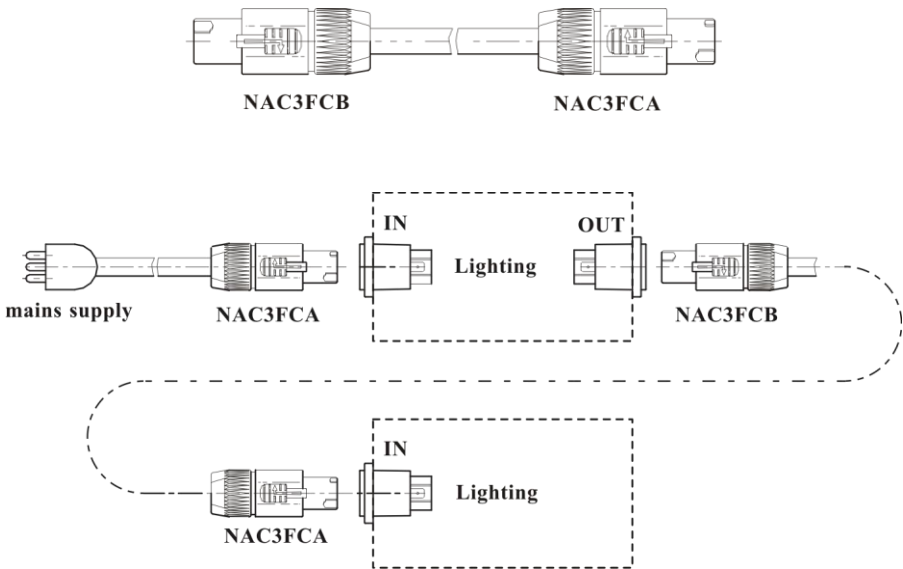
<i>Wire color</i>	<i>Conductor</i>	<i>Symbol</i>
Brown	Live	L
Blue	Neutral	N
Yellow/green	ground	⊥

Handling



Relaying power to other devices

The lightings can be linked in a chain by power cables which installed a blue and a light-gray connectors on the two ends. the light-gray connector connects to the power out socket of the first lighting , and the blue connector connects to the power in socket of the subsequent lighting, and so on.



The power cable must be a three-conductor 2.5mm² cable.

When the voltage is 110V , Do not connect more than 10 lightings in total to AC mains power in one interconnected daisy chain.

When the voltage is 220V , Do not connect more than 20 lightings in total to AC mains power in one interconnected daisy chain .

DMX protocol

LM-2012 has two Channel modes , including 9 Channels Mode and 4 Channels Mode .

The default mode is 9 channels mode. If you want to alter it, enter DMX menu .

9 Channels Mode:

Channel	Value	Function
CH1		strobe
	000-019	shutter open
	020-064	strobe1(fast to slow)
	065-069	shutter open
	070-084	strobe2:opening pulse(fast to slow)
	085-089	shutter open
	090-104	strobe3: closing pulse (fast to slow)
	105-109	shutter open
	110-124	strobe4:random strobe(fast to slow)
	125-129	shutter open
	130-144	strobe5:random opening pulse(fast to slow)
145-149	shutter open	

	150-164 165-169 170-184 185-189 190-204 205-255	strobe6: random closing pulse (fast to slow) shutter open strobe7:burst pulse(fast to slow) shutter open strobe8:random burst pulse (fast to slow) shutter open
CH2	000-255	Gobal dimmer 0~100%
CH3	000-255	Pan 0~540° /0~630° (the maximum angle base in the setting in menu)
CH4	000-255	Pan fine
CH5	000-255	Tilt 0~240°
CH6	000-255	Tilt fine
CH7	000-009 010-014 015-039 040-044 045-049 050-054 055-059 060-064 065-069 070-074 075-109 110-114	Fixture control settings No function Reset (hold for 8s) No function Normal motor speed Maximum motor speed Minimum motor speed No function Max. cooling fan speed No function Cooling fan speed trermostatically regulated No function Fast dimmer

	115-119	No function
	120-124	Smooth dimer
	125-249	No function
	250-255	Illuminate display
CH8	000-255	Cool white dimmer 0~100%
CH9	000-255	Warm white dimmer 0~100%

4 Channels Mode:

Channel	Value	Function
CH1	000-255	Cool white dimmer 0~100%
CH2	000-255	Warm white dimmer 0~100%
CH3	000-255	Pan 0~540° /0~630° (the maximum angle base in the setting in menu)
CH4	000-255	Tilt 0~240°

Button

SET:

Call the main menu, or escape the current menu(i.e. return to the upper menu and give up the selected item or parameter) .

UP:

Browse the menu item forward or increase the parameter .

DOWN:

Browse the menu item backward or decrease the parameter .

ENTER:

Confirm the selected item or parameter(i.e. enter the next menu, or escape the current menu and save the selected item or parameter)

Menu

Menu navigation

① SET menu ← SET — Addr:001(DMX mode) — ENTER → DMX Menu②

UP ↑ ↓ DOWN

SET menu ← SET — ManualDimmer — ENTER → ManualDimmer Menu③

UP ↑ ↓ DOWN

SET menu ← SET — AllWhite — ENTER → Null

UP ↑ ↓ DOWN

SET menu ← SET — 3200K — ENTER → Null

UP ↑ ↓ DOWN

SET menu ← SET — 5600K — ENTER → Null

UP ↑ ↓ DOWN

SET menu ← SET — 6500K — ENTER → Null

UP ↑ ↓ DOWN

SET menu ← SET — 8500K — ENTER → Null

UP ↑ ↓ DOWN

SET menu ← SET — 10000K — ENTER → Null

UP ↑ ↓ DOWN

SET menu ← SET — Twinkling — ENTER → Motor Run Menu④

UP ↑ ↓ DOWN

①SET menu

SET Menu:

└Reset Machine	
└Reset:ON	;Reset the machine
└Reset:OFF	;Do not reset the machine(default)
└Load Parameter	
└Load ON	;Restore factory settings
└Load OFF	;Do not restor factory settiings(default)
└Master / Alone	
└Master Mode	
└Alone Mode	;(default)
└TC Switch	;Temperature control,it will reduce the output
└TC Switch Mask	afeter over temperature
└Switch ON	;Enable the switch(default)
└Switch OFF	;Disable the switch
└TC Switch Temp	(password protected)
└TC Temp Cap	;Capture the current temperature
└TC Temp Set	;Set the value of the TC switch
└Scan Setting	
└Reverse Pan	
└Reverse Pan :ON	
└Reverse Pan :OFF	;(default)
└Reverse Tilt	
└Reverse Tilt:ON	
└Reverse Tilt:OFF	;(default)
└Pan Degree	;Set the max angle rage of the Pan
└Pan Degree:630	

		└Pan Degree:540	;(default)
		└Scan BlackOut	
		└ScanBlackOut:ON	;Black out while the motor runs
		└ScanBlackOut:OFF	;(default)
		└Feed Back	
		└Feed Back:ON	;Enable pan/tilt position feedback;(default)
		└Feed Back:OFF	;Disable the feedback
		└Dimmer Curve	
		└Square Law	;(default)
		└Inv Square Law	
		└S-Vurve	
		└Dimmer Speed	
		└Dimmer: Smooth	;(default)
		└Dimmer: Fast	
		└Dmx Reset	
		└Enabled	;Enable reset via DMX;(default)
		└Disabled	;Disable reset via DMX
		└Fan	;Fan speed
		└Regulated	;Thermostatically regulated(default)
		└Full	;Max. cooling fan speed
		└Information	
		└Time:tt/mm/ss	
		└Date:mm/dd/yy	
		└Use Time :hour: minute	

②. DMX menu

DMX Menu:	;DMX mode
└DMX Address: 001	;Set DMX address
└No DMX Signal	;Run if there is no DMX signal
└Stop Run	;(default)
└Hold Run	
└Auto Run	
└DMX Channels	
└STAGE Mode	
└9 Channels	;(default)
└4 Channels	

③. ManualDimmer menu

ManualDimmer:	
└Light Switch	
└Light ON	;(default)
└Light OFF	
└Light Cool:000	;Cool white dimmer 0~255 (default :255)
└Light Warm:000	;Warm white dimmer 0~255 (default :255)
└Light Strobe:000	;(default:0)
└Scan Pan:128	;(default:0)
└Scan Tilt:128	;(default:0)
└Scan PanFine:000	;(default:0)
└ScanTiltFine:000	;(default:0)
└Light Calibrate	
└Cal Pan:-128~+127	;Pan calibration(default:0)
└Cal Tilt:-128~+127	;Tilt calibration(default:0)

④ Motor Run Menu

Motor Run Menu

- └Motor Run ;Motor automatically run or not
- └Auto Run:OFF ;Motor do not run
- └Auto Run:ON ;Motor automatically run

Technical parameters

Rated voltage: 100~240V

Rated frequency: 50/60Hz

Power: 130W

LED: 3W CREE XP-E

LED lifespan: about 50, 000hours

LED quantity: 24 warm white + 12 cool white

Beam angle: 8°

Rotation Angle: Pan 540° /630° , Tlit 240° , self-correcting

Channel quantity: 9 or 4 (depend on setting in menu)

Control mode: DMX512, Master/slave

Protection grade: IP20

Working environment: indoor

Environment temperature: -30~+40°C

Size: L242*W130*H289mm

Weight: 3.6kg