

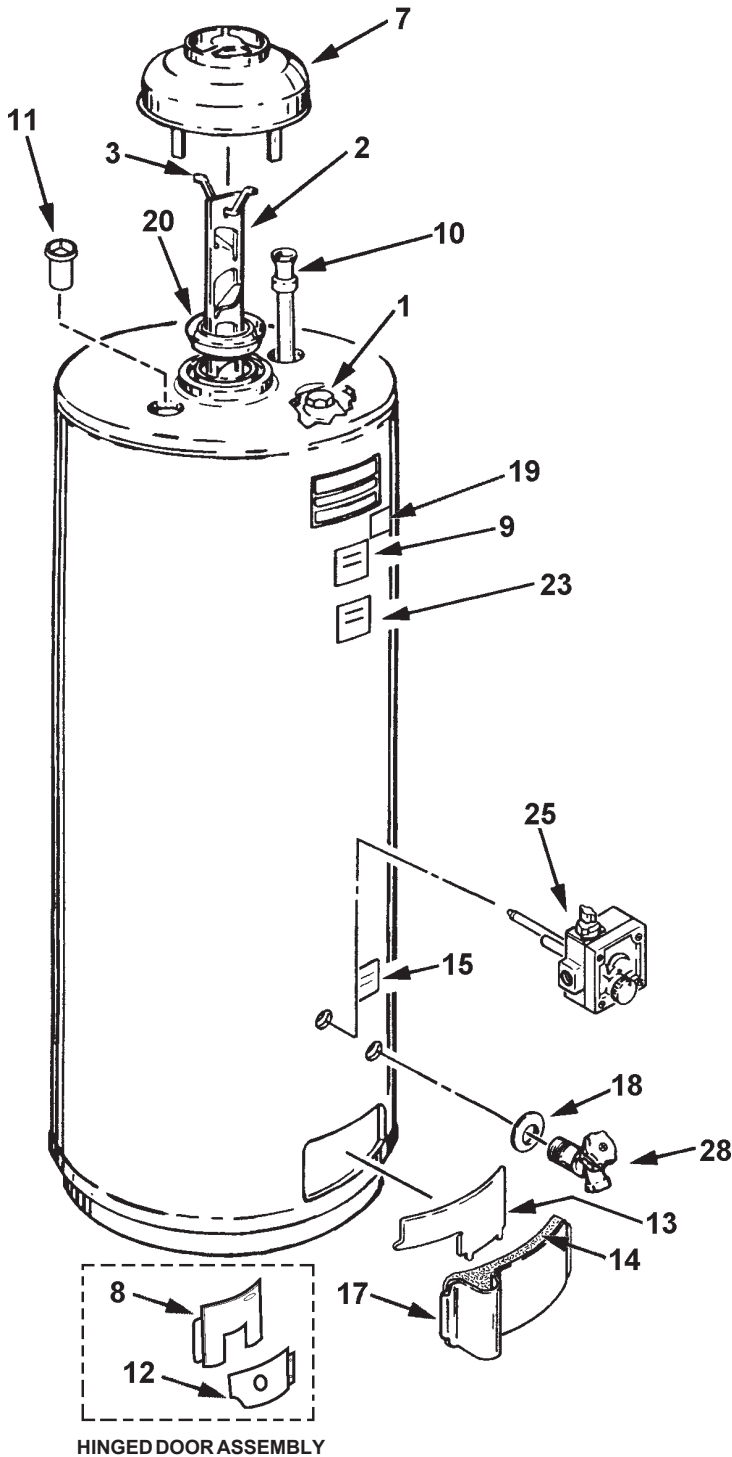
A.O. SMITH

WATER PRODUCTS COMPANY

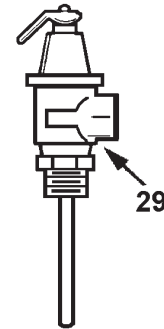
PSD-1-291

GAS

RESIDENTIAL WATER HEATER PARTS LIST
 MODEL PGCL-40
 SERIES 232, 240, 242, 246, 248



T & P RELIEF VALVE

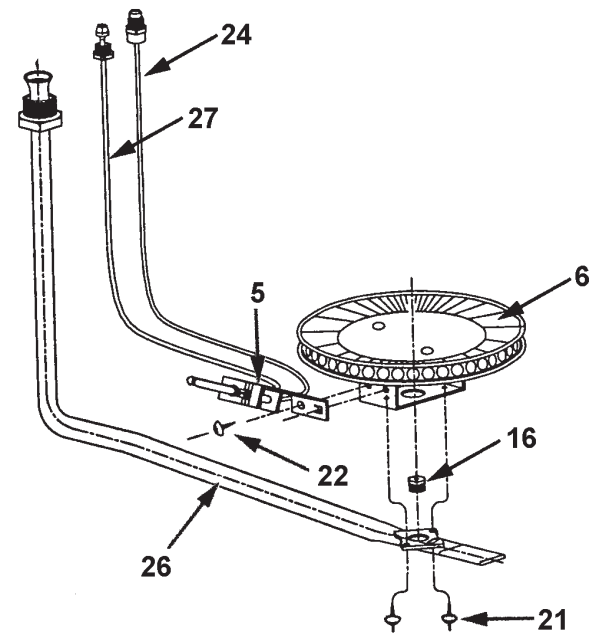


AUTOMATIC (SELF-CLOSING) TYPE

PRESS.	*TYPE	SIZE	TEMP RELIEF
150lbs.	T & P	3/4" X 3/4"	210°

Part No. 43151-2

4 BURNER ASSEMBLY



A.O. SMITH WATER PRODUCTS CO., INC.

5621 W. 115TH STREET • ALSIP, ILLINOIS 60803

PHONE: 1-800-433-2545 • FAX: 1-800-433-2515

www.hotwater.com • E-mail: parts@hotwater.com

Item	Description	PGCL 40 Series 232	PGCL 40 Series 240	PGCL 40 Series 242	PGCL 40 Series 246	PGCL 40 Series 248
1	Anode, Aluminum Alloy	183523-33	183523-33	183523-33	183523-33	183463-35
2	Baffle, Flue	181589-1	181589-1	181589-1	181589-1	181589-1
3	Baffle, Hanger	181360	181360	181360	181360	181360
4	Burner Assembly, Natural Gas	182725-24	182725-24	182725-24	182725-24	182725-24
5	Burner Assembly, Pilot - Natural (Includes items 24 & 27)	182729-10	182729-10	182729-10	182729-10	182729-10
6	Burner, Main - Natural	182730	182730	182730	182730	182730
7	Draft Hood	181082	181082	181082	181082	181082
8	Filler, Inner Door	- - - -	- - - -	- - - -	182073-1	- - - -
9	Flammable Vapor/Scald Warning Label	- - - -	- - - -	- - - -	183300	183300
10	Heat Trap, Inlet Tube, PP	182971-30	182971-30	182971-30	182971-30	183356-30
11	Heat Trap, Outlet	181235	181235	181235	181235	183360
12	Inner Door Assembly	- - - -	- - - -	- - - -	181667	- - - -
13	Inner Door Assembly	180596	180596	180596	- - - -	183491
14	Insulation Pad, Outer Door	- - - -	- - - -	- - - -	183257	183257
15	Lighting & Operating Instruction Label	- - - -	- - - -	- - - -	182964	182964
16	Orifice, Main Burner - Natural	181508-31	181508-31	181508-31	181508-31	181508-31
17	Outer Door	180522	180522	180522	180522	180522
18	Pipe Collar	20172-21	20172-21	20172-21	20172-21	20172-21
19	Relief Valve Label	180078	180078	180078	180078	180078
20	Restrictor, Flue	34894-1	34894-1	34894-1	34894-1	34894-1
21	Screw	182487	182487	182487	182487	182487
22	Screw	181626	181626	181626	181626	181626
23	Temperature Label	182734	182734	182734	182734	182734
24	Thermocouple	<u>23675</u>	<u>23675</u>	<u>23675</u>	<u>23675</u>	<u>23675</u>
25	Thermostat - Natural	<u>180193-4</u>	<u>180193-4</u>	<u>180193-4</u>	<u>180193-4</u>	<u>182791-2</u>
26	Tube, Main Burner - Natural	182727-4	182727-4	182727-4	182727-4	182727-4
27	Tube, Pilot	23925-20	23925-20	23925-20	23925-20	23925-20
28	Valve, Drain - Brass	26273-4	26273-4	26273-4	26273-4	26273-4
29	Valve, T & P	43151-2	43151-2	43151-2	43151-2	43151-2

NOTE: Underlined parts are recommended stock items for emergency replacement.
Consider gas used in your area only.

Request parts from PSD by giving all information such as model and series number, type of gas and specifications.



A. O. SMITH
WATER PRODUCTS
COMPANY

5621 W. 115TH STREET • ALSIP, ILLINOIS 60803
PHONE: 1-800-433-2545 • FAX: 1-800-433-2515
Website: www.hotwater.com • EMAIL: parts@hotwater.com