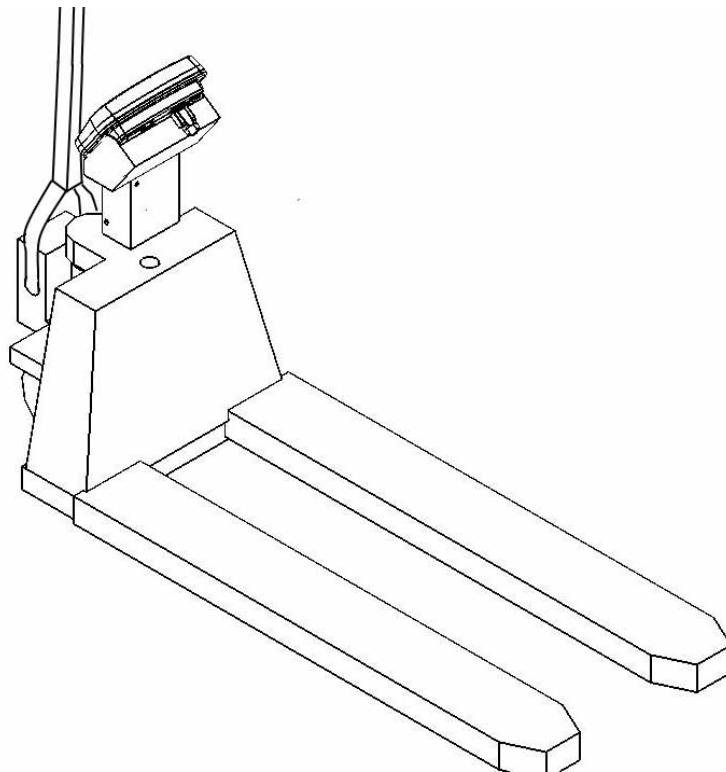


PTS SERIES

With AE402 Indicator

(P.N. 3106610715, Revision C, October 2010)



Thank you for purchasing the ADAM PTS 2000.

For your safety and correct operation, please read the following instructions carefully before using it.

CONTENT

- 1.0 INSTRUCTION 5
 - 1.1 SPECIFICATION 5
 - 1.2 PACKING LIST..... 5
- 2.0 INSTALLATION 7
 - 2.1 AE 402 ASSEMBLY 8
- 3.0 CALIBRATION 12
- 4.0 TROUBLE SHOOTING 13
- 5.0 MAINTENANCE 14

SAFETY

- To prevent damage to the scale, please read these operating instructions thoroughly.
- When using the pallet truck, please keep the handle in the DRIVE position.
- This pallet truck must be operated by trained personnel only.

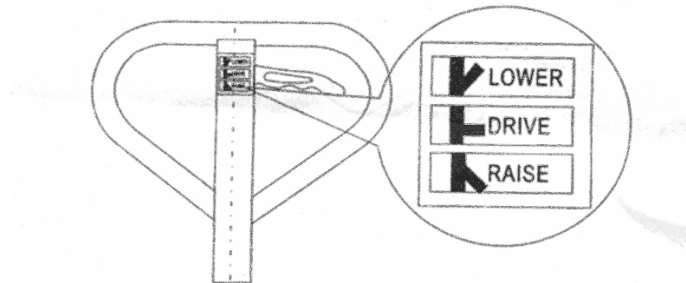


Fig. 1

- Check the pallet truck first before using it making sure that the wheels, handles and forks are fitted correctly and secure
- Avoid unsuitable and uneven floor surfaces
- Please wear protective clothing where necessary
- Allow 60cm clearance from the pallet truck when operating.
- Pay attention and focus on the object you are lifting
- Do not overload.

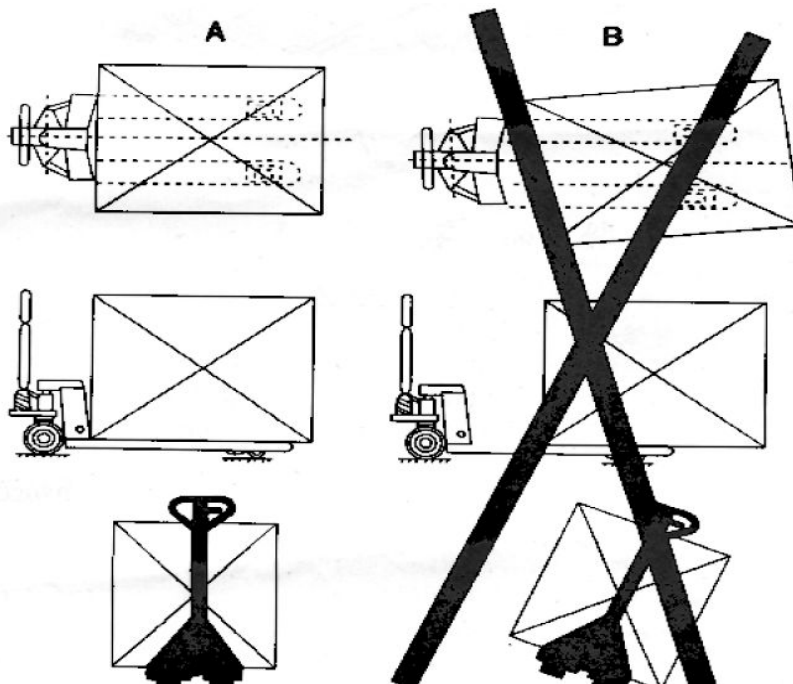


FIG 2.

1.0 INSTRUCTION

1.1 SPECIFICATION

Common specifications

Model	PTS 2000
Load cell Capacity	2000 kg
Resolution	0.5 kg
Fork length	1150mm
Fork Width (each)	160mm
Fork Width (total)	550mm
Fork Height	80mm increasing to 195mm
Net Weight	110k

See the User Manual for the Indicator supplied with the PTS for more information about the weighing features and operation.

1.2 PACKING LIST

Part No.	Part name	QTY
3101410695	Indicator mounting bracket, upper	1
301177255	M4 x 6 SS Soc Head cap Screw din912-A2	4
3106610715	PTS Manual/Instructions	1
3101010700	M4 Allen key	1
3101710929	Roller pin ϕ 20X110	1
3101710930	Spring Pin ϕ 5X35	1
3101210931	Handle	1
2100010935	AE402 indicator assembly	1
3104010713	AE402 load cell cable	1

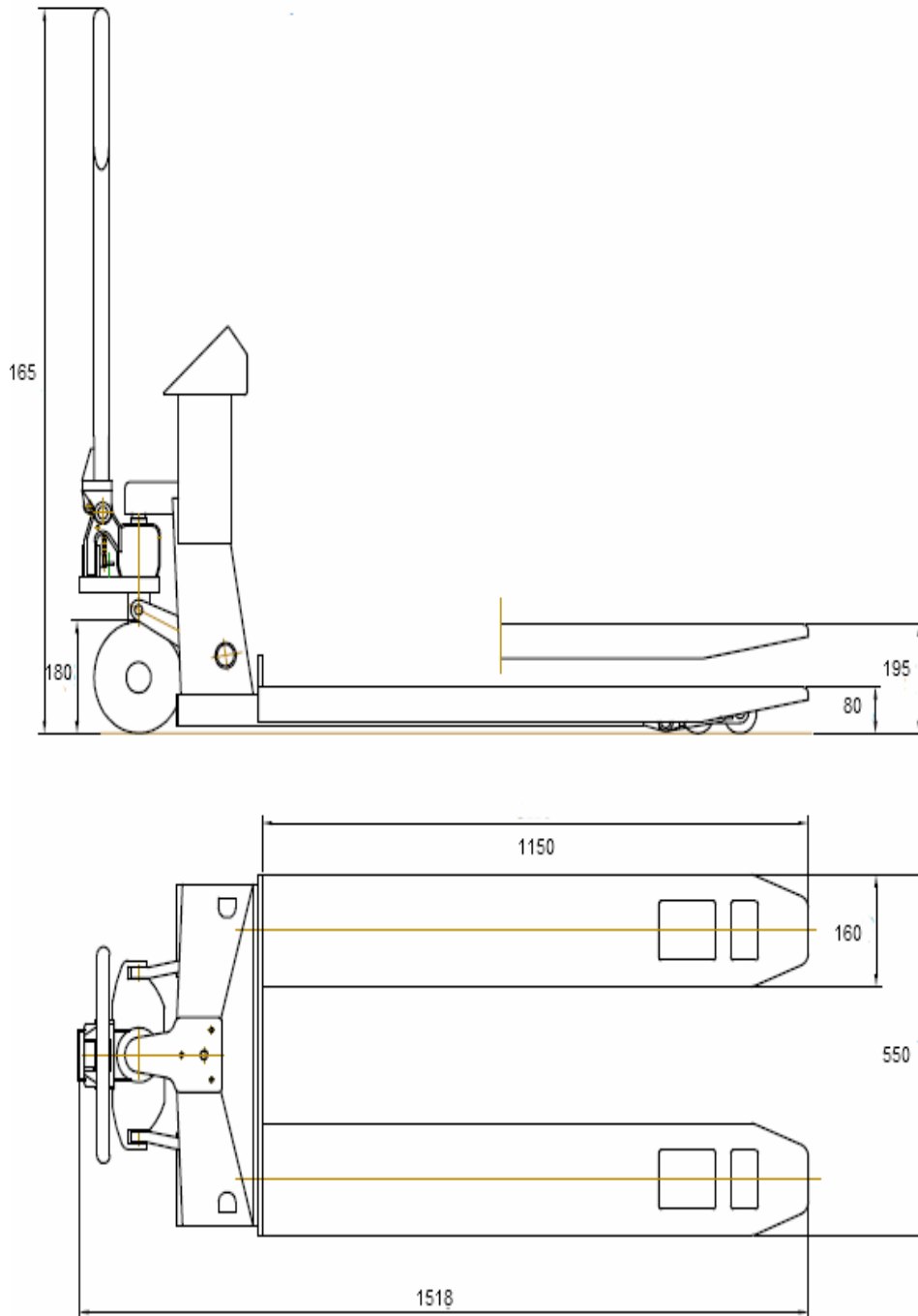


FIG. 3.

2.0 INSTALLATION

Please follow the installation instructions to ensure correct operation of your PTS. In transportation the handle is removed from the truck, this needs to be installed following the instructions below:

NOTE: Do not lower the handle down fully until completing the instructions below.

- 1) Insert the roller pin into the hole of roller rack, securing the handle to the frame.
- 2) Fit the split pin through the holes provided.
- 3) Pass the chain through the center hole of the roller pin. Secure the end of the chain to the slot on the end of the unloading plate.
- 4) Remove the transit rod before use. Press the handle down **only far enough to** release any pressure on the transit rod, then pull the transit rod free.

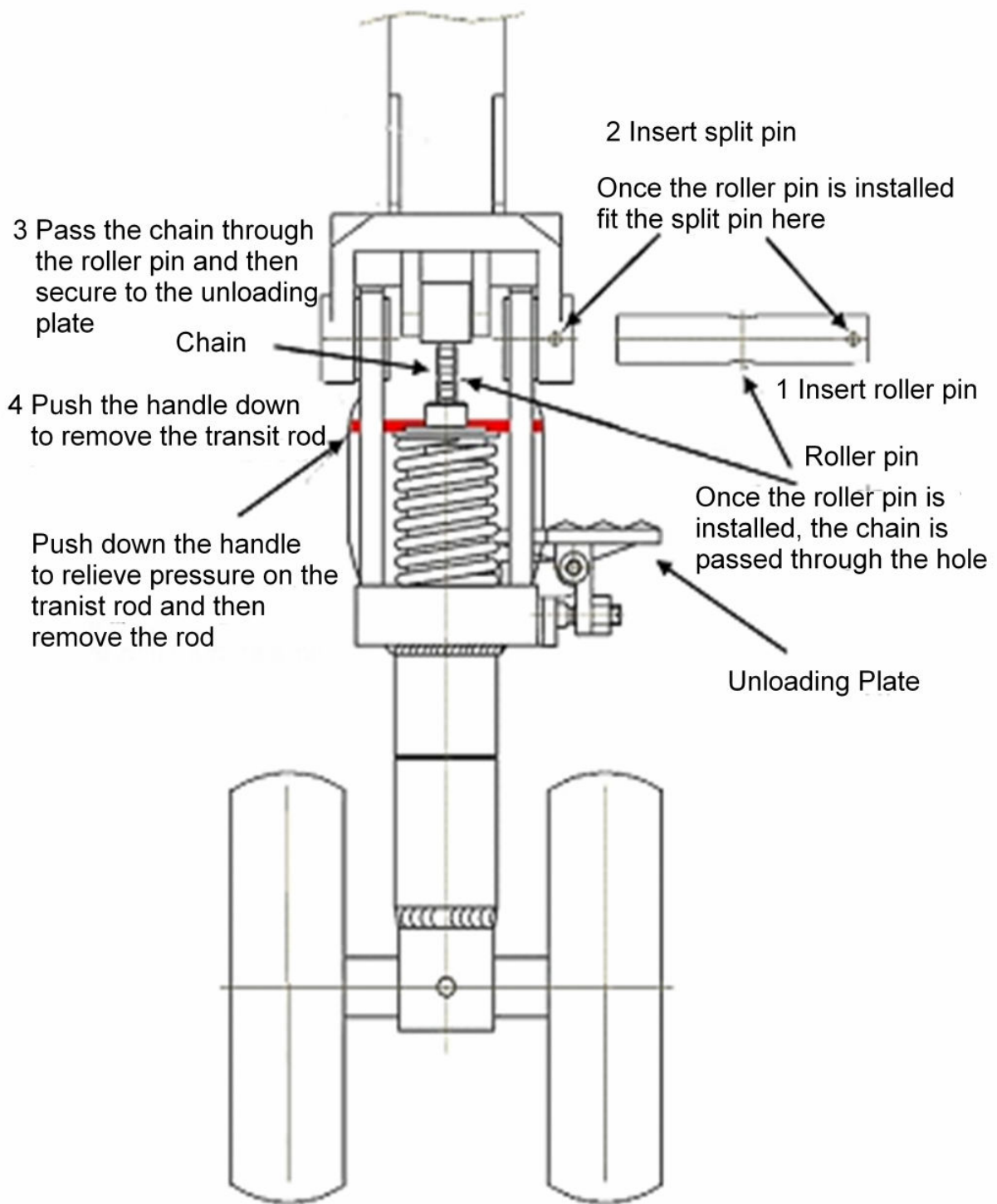


Fig4

2.1 AE 402 ASSEMBLY

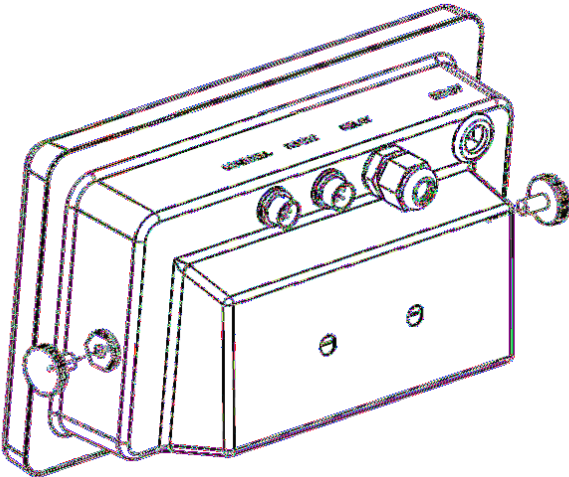


Fig 5.

Rear view of AE 402 Indicator

Fit the PTS to Indicator cable as shown in the picture below:

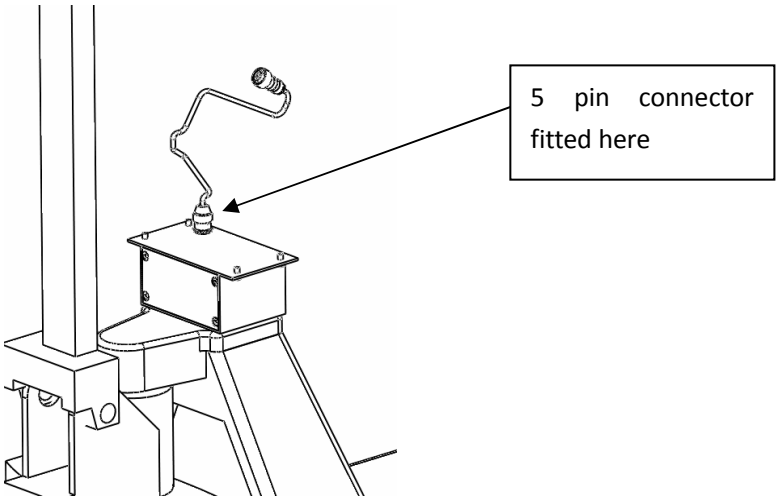


Fig 6

The Indicator bracket is fitted to the PTS using 4 x M4 screws as the picture below shows, these should be tightened using the Allen Key supplied .

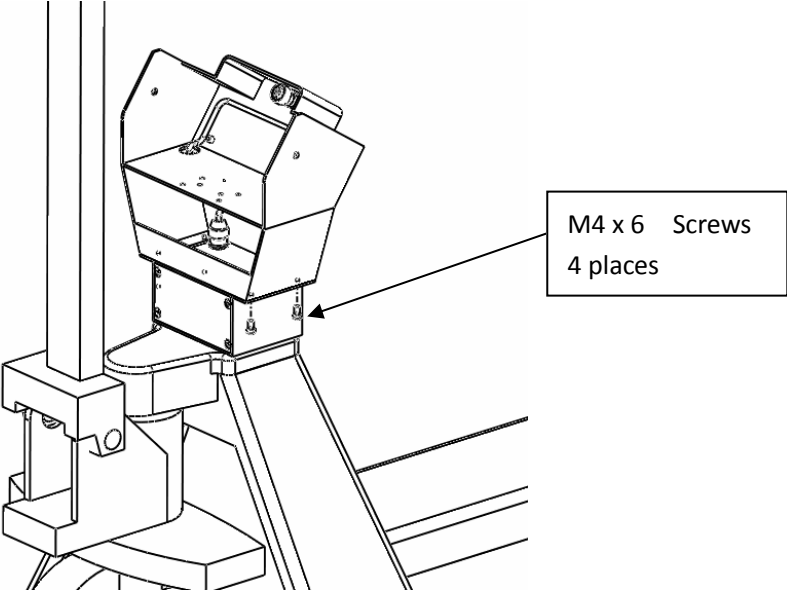


Fig 7

The Indicator cable goes through the hole on the bracket and connects to the Indicator using the 7 pin connector.

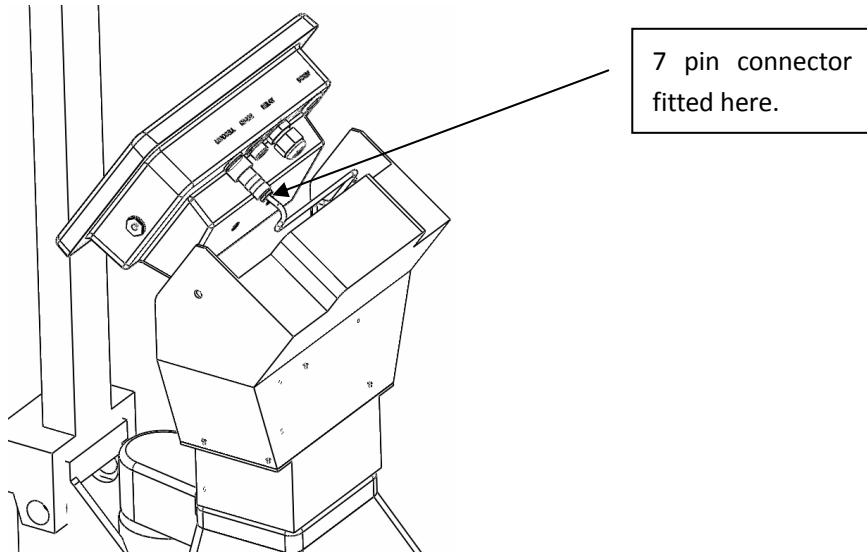


Fig 8

The AE 402 indicator is placed into the mounting bracket, and secured using the two plastic fasteners as shown below:

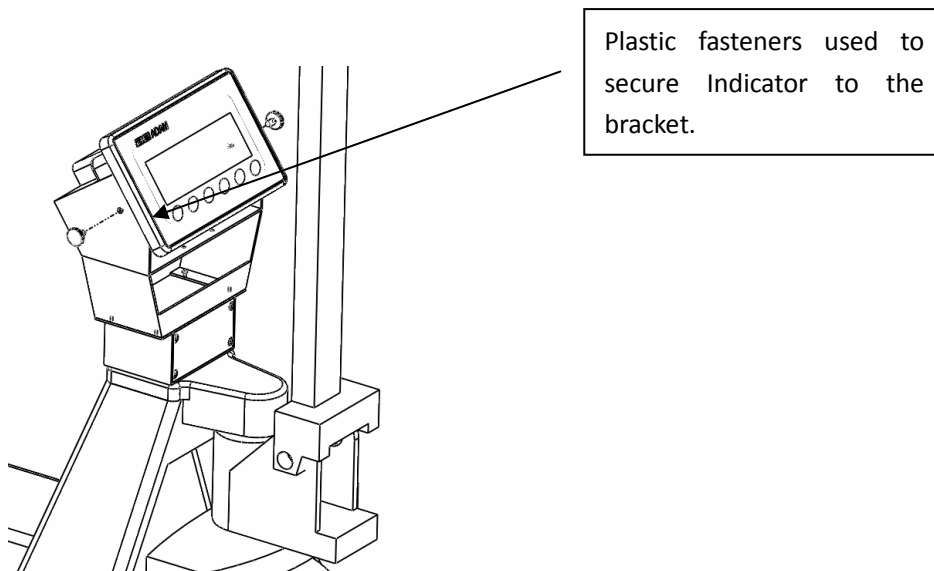


Fig 9.

3.0 CALIBRATION

The PTS is factory calibrated, please refer to the user manual for the indicator supplied (AE 402) when further calibration when required.

4.0 TROUBLE SHOOTING

No.	Problem	Cause	Solution
1	Forks cannot ascend to the maximum height	Inadequate hydraulic oil in the chamber.	Refill oil chamber. See Figure 10.
2	Forks can not be raised	No hydraulic oil. Oil is not clean. Foot pad screw too tight so that the valve remains open? There is air in the hydraulic oil chamber.	Refill oil chamber. See Figure 10 . Change oil Adjust bolts or screws, See Figure 11 . Vent the air.
3	Forks can not descend	Position of the goods are to one side of the truck Foot pad screw is not in the correct position?	Relocate load. Adjust bolts or screws, See Figure 11 .
4	Oil spillage	Aging or damaged seals.	Call for Service.
5	Forks descend when the trigger is not in descend position	The oil could be unclean Some parts of the hydraulic system are damaged.	Change the oil. Vent the air. Call for Service.

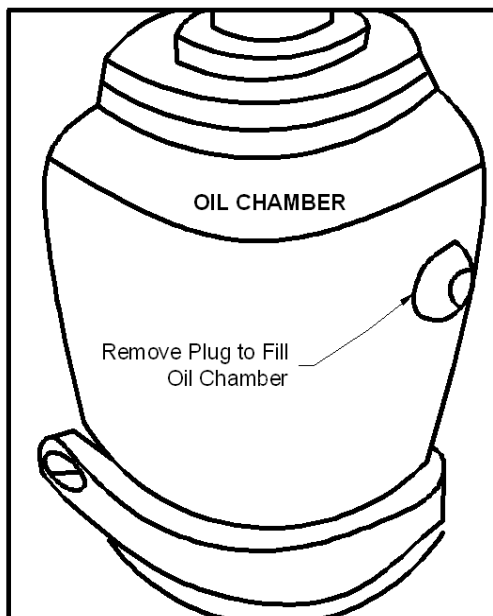


Fig 10

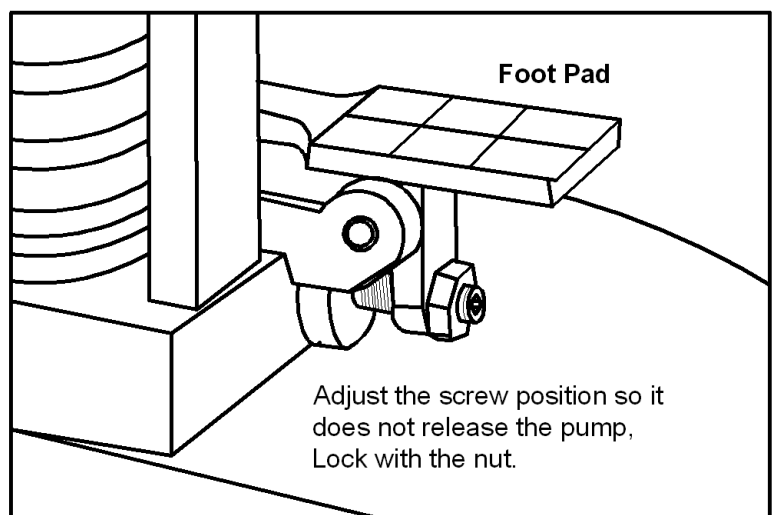


Fig 11

5.0 MAINTENANCE

- Please check the oil every six months , we suggest you use hydraulic oil: ISO VG32
- Whilst in transit air may enter into the hydraulic pump, this may result in the forks not raising when first used. Please move the handle up and down several times to allow air to escape.
- Routine maintenance is necessary. You should focus on the wheels and handle assemblies. When the truck is not in use, remove the items on the forks, and reset the forks to their lowest position.
- All the bearings and axles have been lubricated, please check at regular intervals



Manufacturer's Declaration of Conformity

This product has been manufactured in accordance with the harmonised European standards, following the provisions of the below stated directives:

Electro Magnetic Compatibility Directive 2004/108/EC

Low Voltage Directive 2006/95/EC

Adam Equipment Co. Ltd.

Bond Avenue, Denbigh East

Milton Keynes, MK1 1SW

United Kingdom

FCC COMPLIANCE

This equipment has been tested and found to comply with the limits for a Class A digital device, pursuant to Part 15 of the FCC Rules. These limits are designed to provide reasonable protection against harmful interference when the equipment is operated in a commercial environment. The equipment generates, uses, and can radiate radio frequency energy and, if not installed and used in accordance with the instruction manual, may cause harmful interference to radio communications. Operation of this equipment in a residential area is likely to cause harmful interference in which case the user will be required to correct the interference at his own expense.

Shielded interconnect cables must be employed with this equipment to insure compliance with the pertinent RF emission limits governing this device.

Changes or modifications not expressly approved by Adam Equipment could void the user's authority to operate the equipment.

WEEE COMPLIANCE



Sealed Lead Acid
Battery
Must be recycled
Properly

Any Electrical or Electronic Equipment (EEE) component or assembly of parts intended to be incorporated into EEE devices as defined by European Directive 2002/95/EEC must be recycled or disposed using techniques that do not introduce hazardous substances harmful to our health or the environment as listed in Directive 2002/95/EC or amending legislation. Battery disposal in Landfill Sites is more regulated since July 2002 by regulation 9 of the Landfill (England and Wales) Regulations 2002 and Hazardous Waste Regulations 2005. B are set to impose targets for

ADAM EQUIPMENT is an ISO 9001:2008 certified global organisation with more than 30 years experience in the production and sale of electronic weighing equipment. Products are sold through a world wide distributor network supported from our company locations in the UK, USA, SOUTH AFRICA and AUSTRALIA.

ADAM's products are predominantly designed for the Laboratory, Educational, Medical and Industrial Segments. The product range is as follows:

- Analytical and Precision Laboratory Balances
- Counting Scales for Industrial and Warehouse applications
- Digital Weighing/Check-weighing Scales
- High performance Platform Scales with extensive software features including parts counting, percent weighing etc.
- Crane scales for heavy-duty industrial weighing
- Digital Electronic Scales for Medical use
- Retail Scales for Price computing

© Copyright by Adam Equipment Co. Ltd. All rights reserved. No part of this publication may be reprinted or translated in any form or by any means without the prior permission of Adam Equipment.

Adam Equipment reserves the right to make changes to the technology, features, specifications and design of the equipment without notice.

All information contained within this publication is to the best of our knowledge timely, complete and accurate when issued. However, we are not responsible for misinterpretations which may result from the reading of this material.

The latest version of this publication can be found on our Website.

Visit us at www.adamequipment.com