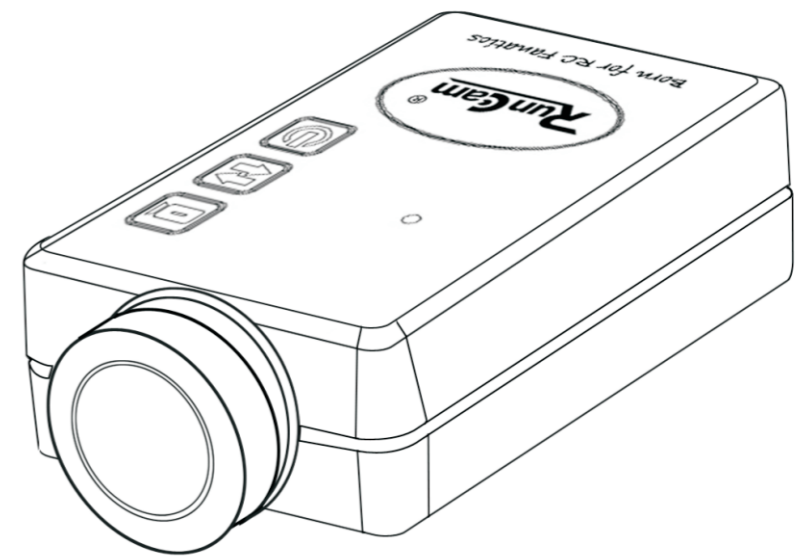


# RunCam<sup>®</sup>

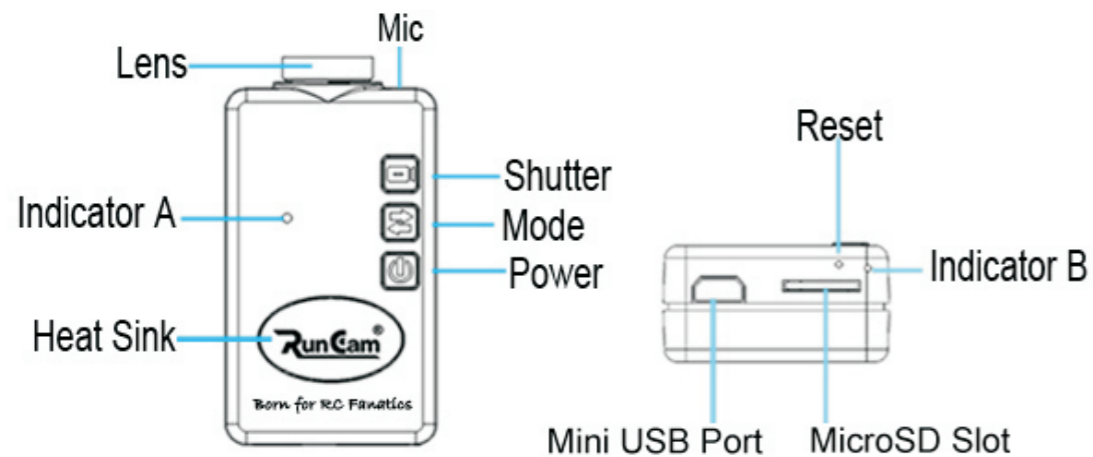
Manual for RunCam HD

*Born for RC Fanatics*



V1.2

## Sketch of buttons and features



## Contents

Power Button .....	1
ShutterButton.....	1
Mode Button .....	1
Reset Button .....	1
Indicator A .....	2
Indicator B .....	2
Mini USB Port.....	2
Battery Charging .....	3
To turn the camera on .....	4
Video Mode and Switching Operations .....	4
Video Recording and Snapshot Operation and Indicator A Status Instruction .....	5-6
AV Output .....	6
Playback .....	6
Power-Saving Mode .....	7
Format the Memory Card .....	7
Reset .....	8
Shutdown .....	8
Connect the Camera to PC .....	8

## 1. Function Buttons

### Power Button:

- Press the Power Button to turn the camera ON or OFF.
- In Playback Mode, pressing the power button can allow the user to choose the different video file.

### Shutter Button:

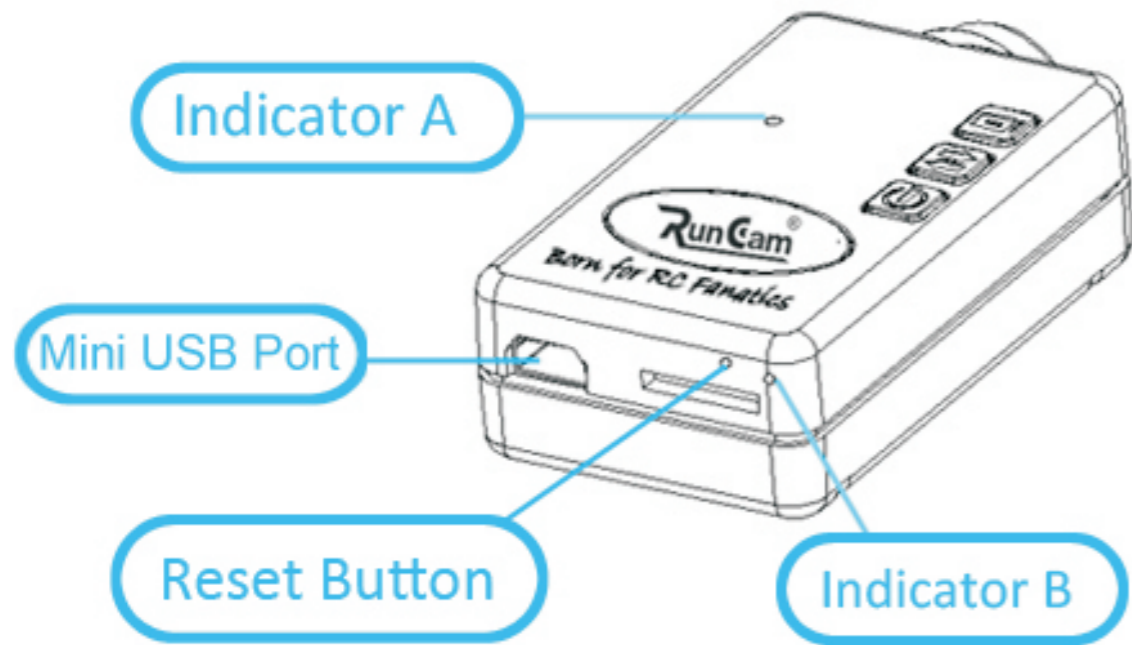
- Press the Shutter Button to start or stop recording video, or take a snapshot.
- In Playback Mode, press the Shutter Button to play or stop the playback.

### Mode Button:

- Press the Mode Button to switch the working mode of the camera.
- Press the Mode Button to format the TF card

### Reset Button:

- Press Reset Button to reset the camera.



### Indicator A:

- Indicates the mode and working status of the camera.

### Indicator B:

- Auxiliary indicates the working status of the camera.

### Mini USB Port:

- For Power Charging
- For Data Transmission
- For Video Output

## 2. Instructions

### Battery Charging:

- There is standard Mini 5-Pin USB cable included in the product packaging. Please connect one end to the camera and the other end to 5 V DC power supply (For instance, a charger, USB port of a PC, or another portable power source).
- The camera will turn on automatically once it is powered on. When the camera detects that it is being charged, it will turn off automatically for more efficient charging.
- When charging, Indicator A will display green. When fully charged, the Indicator A will be off. The average charge takes up to Three hours to complete.

*Note: If you want it to record video during the charging, please make sure the current output of the power supply is above 1000mA.*

## To turn the camera on:

- Press the Power Button and release after 1 second to turn on the camera. The Indicator A light will change from Blue to Yellow. The camera will then switch to Standby status of Video Mode 1.

## Video Mode and Switching Operations:

- Video Mode 1 (Indicator A showing with Yellow light constantly): Default 1080p@30fps Full HD recording.
- Video Mode 2 (Indicator A showing with Blue light constantly): Default 720P@60fps HD recording.
- Photo Mode (Indicator A showing with Red light constantly): Default 2304 x 1536 Photo Mode.
- Playback Mode: Plug in the TV output cable included in the product packaging to camera to activate this mode.

In Standby status, press the Mode Button to switch to the next mode. Constantly press the Mode Button to switch between the above four modes.

*Note: If the camera is in recording, you will need to pause the recording before switching working modes.*

## Video Recording and Snapshot Operation and Indicator A Status Instruction:

- Indicator A illuminating a constant Yellow light: the camera is in Standby status of Video Mode 1. Press the Shutter Button to start recording in Video Mode 1. Indicator A should now flicker slowly in Yellow.
- Indicator A slowly flickers in Yellow: (one second on, one second off): the camera is recording in Video Mode 1.
- Indicator A illuminating a constant Blue light: the camera is in Standby status of Video Mode 2. Press the Shutter Button to start recording in Video Mode 2. Indicator A should slowly flicker in Blue.
- Indicator A slowly flickers in Blue: (one second on, one second off): the camera is recording in Video Mode 2.
- Indicator A illuminating a constant Red light: the camera is in Standby status of Photo Mode. Press the Shutter Button to take one photo and save the photo to the TF card. Indicator A should flash once in red.
- Indicator A flickers in Red: every time the red light flickers once, the camera takes one photo.

- Indicator A illuminating a constant Green light: the battery is charging.
- When the camera is turned on, and the Indicator A quickly flickers a Yellow light: there is no memory card detected or the memory card is invalid. Please format the memory card or change a new card. (About formatting, please refer to following “Format the Memory Card” chapters).
- Indicator A quickly flickers a Red light during video recording: the battery is low and the camera will turn off automatically in several seconds.

### AV Output:

Turn the camera on, and connect the TV-out cable to the camera, then the camera is in the AV output status. In this status, the camera will continuously outputs the AV signal. It won't shut down even without video recording or snapshot.

### Playback:

- In Standby status (without connected the AV output cable), the camera will automatically shut down if there are not any operations selected within 30 seconds.

*Note: This mode will be effective only when the TV output cable is connected to the camera.*

### Power-Saving Mode:

- In Standby status, the camera will automatically shut down if there are not any operations selected within 30 seconds.

### Format the Memory Card:

- In any mode, long-press the Mode Button for about 10 seconds to format the memory card. The Indicator A light will turn Red and quickly flicker Three times when the camera starts to format the memory card. The camera will automatically shut down after the formatting is finished.

#### Note:

- *Make sure there are no important files saved on the card before formatting it. After formatting, all files will be deleted.*
- *This camera cannot support any memory card formatted by a computer running Win XP. Please use the formatting function of this camera to format the memory card.*

## Reset:

- Turn the camera on, press the Reset Button to restore it to factory settings.

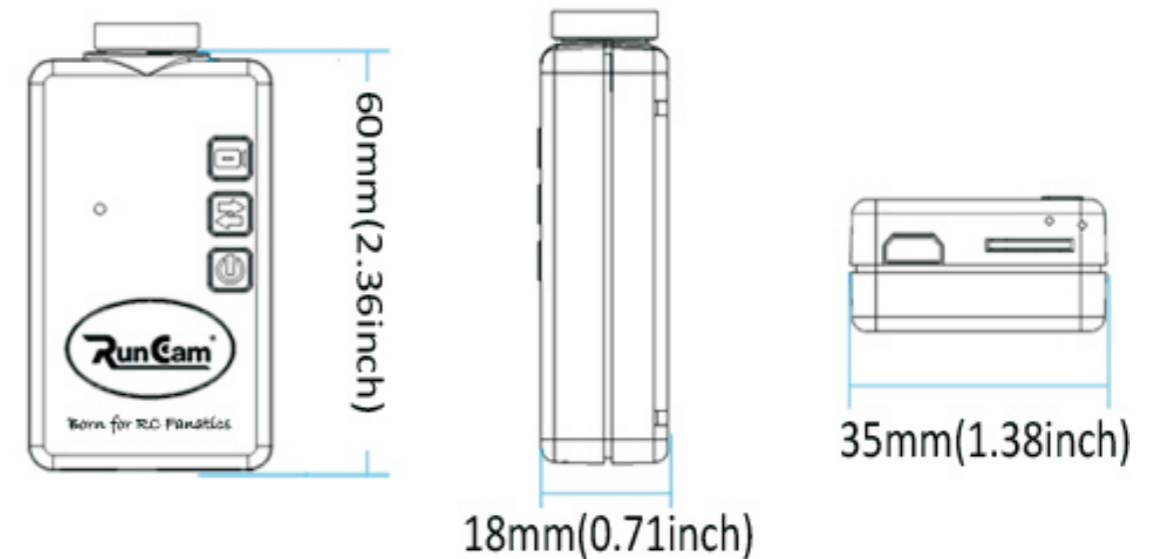
## Shutdown:

- In any mode, press the Power Button for at least 1 second and release. Indicator A will turn Red and blink Three times. The camera will then completely shut down.

## Connect the Camera to PC:

- Using a standard USB cable, the camera can be used as a removable storage device. Connect the camera to PC with the USB cable when it is turned off or in Standby status, you can directly read or write the files in the TF card.

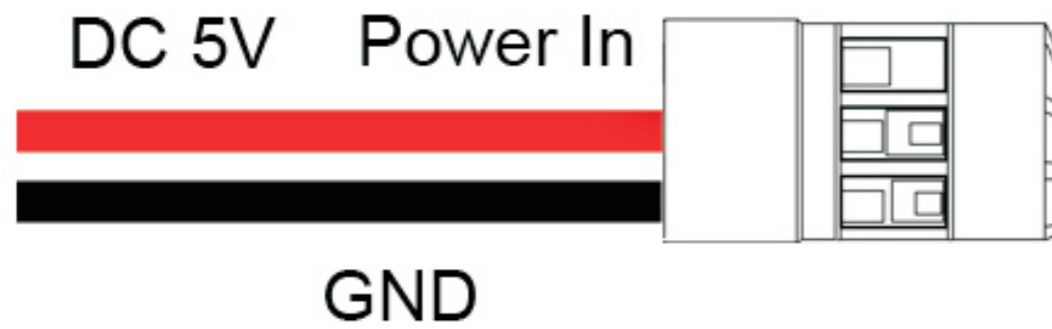
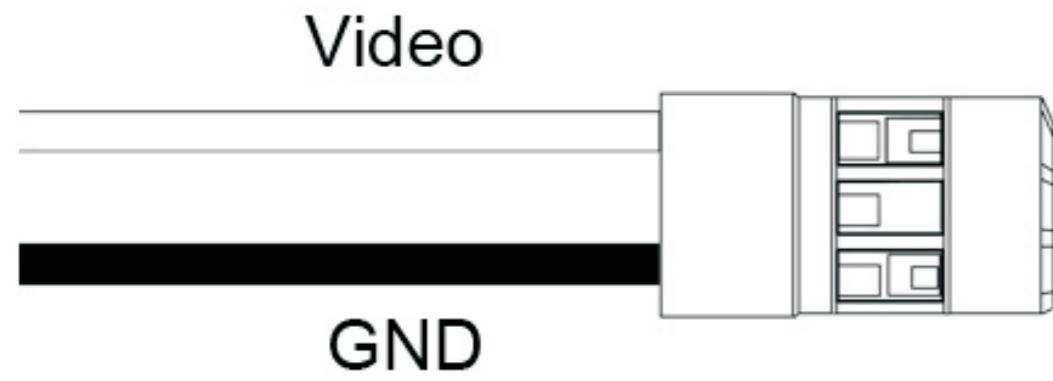
## Product Size



Angle of Field	F.O.V 120°
Photo Resolution	3MP
Video Resolution	1080P 30FPS FULL HD, 720P 60FPS, 720P 30FPS HD
Video/Photo Files Format	*. MOV / *.JPG
Live TV Video Output	NTSC / PAL
Interface	Mini USB
Max Micro SD Supported	32G(Suggest using Class 6 or above)
Image Flip	180 Deg Roation
Weight	41 g
Dimension	60mm(L) * 35mm(W) * 18mm(H)
Rechargeable LIPO Battery	850mAH
Continuous Recording Time	About 120 Minute
Working Voltage	DC 5V
Working Current	<500mAH

# USB Cable (TV-out)

## Definition



[RunCam HD Software&Firmware download link:](http://www.runcam.com/download.html)

<http://www.runcam.com/download.html>