



# **Pedicure Spa Use & Care Manual**



## **NEW STARS LLC**

**1603 N 5th Street  
Philadelphia PA 19122  
Phone: (215) 978-6898  
Fax: (215) 978-0899  
[www.newstarsspa.com](http://www.newstarsspa.com)**

**IT IS IMPORTANT THAT YOU READ, FOLLOW AND SAVE THESE INSTRUCTIONS.**

# IT IS IMPORTANT THAT YOU READ, FOLLOW AND SAVE THESE INSTRUCTIONS

## IL EST IMPORTANT QUE VOUS LISIEZ ET SUIVEZ CES INSTRUCTIONS.

### WARNING

"CAUTION: RISK OF ELECTRIC SHOCK, DISCONNECT ELECTRIC POWER BEFORE SERVICING"  
"ATTENTION: RISQUE DE CHOC ELECTRIQUE. COU PER L'ALIMENTATION ELECTRIQUE AVANT LA MAINTENANCE"

INSTRUCTIONS PERTAINING TO A RISK OF FIRE, ELECTRIC SHOCK, OR INJURY TO PERSONS  
LES INSTRUCTIONS SE RAPPORTANT À UN RISQUE DE FEU, DÉCHARGE ÉLECTRIQUE, OU BLESSURE AUX PERSONNES

WARNING – When using this unit, basic precautions should always be followed, including the following:  
AVERTISSEMENT: Quand vous utilisez cette unité, précautions élémentaires devraient toujours être suivis, y compris les suivants:

1. Read and follow all instructions.  
"Lisez et suivez toutes les instructions"
2. DANGER: To reduce the risk of injury, do not permit children to use this unit unless they are closely supervised at all times.  
"DANGER : Pour réduire le risque de blessure, n'autorisez pas aux enfants à utiliser cette unité à moins qu'ils ne soient de près supervisés à tous moments"
3. Use this unit only for its intended use as described in this manual. Do not use attachments not recommended by the manufacturer.  
"Utilisez cette unité seulement de son utilisation voulue comme décrit dans ce manuel. N'utilisez pas d'attachements non recommandés par le fabricant"
4. Never drop or insert any object into any opening.  
"Ne laissez jamais tomber ou insérez aucun objet dans n'importe quelle ouverture"
5. The unit must be connected only to a supply circuit that is protected by a ground-fault circuit-interrupter (GFCI). Such a GFCI should be provided by the installer and should be tested on a routine basis. To test the GFCI, push the test button. The GFCI should interrupt power. Push the reset button. Power should be restored. If the GFCI fails to operate in this manner, the GFCI is defective. If the GFCI interrupts power to the bathtub without the test button being pushed, a ground current is flowing, indicating the possibility of an electric shock. Do not use this hydro massage bathtub. Disconnect the hydro massage bathtub and have the problem corrected by a qualified service representative before using.  
"L'unité doit être raccordée seulement à un circuit de réserves qui est protégé par un interrupteur de circuit ground-fault (GFCI). Un tel GFCI devrait être fourni par l'installateur et devrait être évalué sur une base de routine. Pour évaluer le GFCI, poussez le bouton d'essai. Le GFCI devrait interrompre le pouvoir. Poussez le bouton de réinitialisation. Le pouvoir devrait être restitué. Si le GFCI manque d'opérer dans cette manière, le GFCI est défectueux. Si le GFCI interrompt le pouvoir de la baignoire sans le bouton d'essai étant poussé, un courant de terre coule, en indiquant la possibilité d'une décharge électrique. N'utilisez pas cette baignoire de massage de hydro. Débranchez la baignoire de massage de hydro et faites corriger le problème par un représentant de service qualifié avant l'utilisation"
6. WARNING: Risk of accidental injury or drowning; children should not use hydro massage bathtub without

adult supervision.

“AVERTISSEMENT: Risque de blessure et de noyade. Ne pas laisser un enfant utiliser la cuve a remous en l’absence d’un adulte”

7. WARNING: Risk of accidental injury or drowning; do not use hydro massage bathtub unless all suction guards are installed to prevent body and hair entrapment.  
“AVERTISSEMENT: Le risque de blessure accidentelle ou de noyade; n'utilisez pas de baignoire de massage de hydro à moins que toutes les gardes de succion ne soient installées pour prévenir le corps et les cheveux entrapment”
8. WARNING: To avoid injury, exercise care when entering or exiting the hydro massage bathtub.  
“Pour éviter la blessure, exercez le soin en entrant ou en sortant la baignoire de massage de hydro”
9. CAUTION: Risk of accidental injury or drowning; do not use drugs or alcohol before or during the use of a hydro massage bathtub equipped with heater to avoid unconsciousness and possible drowning.  
“ATTENTION: Le risque de blessure accidentelle ou de noyade; n'utilisez pas de médicaments ou d'alcool auparavant ou pendant l'utilisation d'une baignoire de massage de hydro équipée avec le chauffage pour éviter l'inconscience et la noyade possible”
10. WARNING: Risk of fetal injury; pregnant or possibly pregnant women should consult a physician before using a hydro massage bathtub equipped with heater.  
“AVERTISSEMENT: Risque de blessure fœtale; enceinte ou les femmes peut-être enceintes devrait consulter un docteur avant le fait d'utiliser une baignoire de massage de hydro équipée avec le chauffage”
11. WARNING: Risk of hyperthermia and possible drowning; do not use a hydro massage bathtub equipped with heater immediately following a strenuous exercise.  
“AVERTISSEMENT: Le risque de hyperthermie et la noyade possible; n'utilisez pas de baignoire de massage de hydro équipée avec le chauffage tout de suite après un exercice ardu”
12. WARNING: Risk of electric shock; do not permit electric appliances (such as a hair dryer, lamp, telephone, radio, or television) within 1.5 M of this hydro massage bathtub.  
“AVERTISSEMENT: Risque de choc électrique. Ne pas placer d'appareils électriques (luminaire, lampe, téléphone, radio, téléviseur, etc.) a moins de 1.5 M de cette cuve a remous”
13. Test the ground fault circuit interrupter protecting this appliance periodically in accordance with the manufacturer’s instructions.  
“Évaluez l'interrupteur de circuit de faute de terre en protégeant cet appareil périodiquement conformément aux instructions du fabricant”
14. Risk of hyperthermia and possible drowning; water temperature in excess of 38°C (100.4°F) may be injurious to your health. Check and adjust water temperature before use.  
“Le risque de hyperthermie et la noyade possible; la température d'eau plus 38°C (100.4°F) peut être préjudiciable à votre santé. Vérifiez et réglez la température d'eau avant l'utilisation”
15. Risk of hyperthermia; people using medications and/or having an adverse medical history should consult a physician before using a hydro massage bathtub equipped with heater.  
“Risque de hyperthermie; les gens utilisant des médicaments et/ou ayant une histoire médicale hostile devraient consulter un docteur avant le fait d'utiliser une baignoire de massage de hydro équipée avec le chauffage”
16. Risk of Electric Shock. Connect only to a circuit protected by a ground fault circuit interrupter.  
“Risque de Décharge électrique. Communiquez seulement à un circuit protégé par un interrupteur de circuit de faute de terre”
17. The unit should be installed by a qualified service representative and grounded and disconnect electric power before servicing.  
“L'unité devrait être installée par un représentant de service qualifié et fondée et débrancher le pouvoir électrique avant l'entretien”

**SAVE THESE INSTRUCTIONS  
SAUVEZ CES INSTRUCTIONS**

Congratulations on your purchase of our pedicure spa.

You have made the right choice. Our revolutionary products are designed to meet your needs.

**New Stars LLC** proudly makes our goal to provide the Pedi-Spa Industry with quality products that surpass the minimum sanitation requirements of your local area state boards. We pride ourselves on our commitment to customer safety and satisfaction.

With proper care, you and your customers can enjoy your **New Stars** pedicure spa for many years to come.

Before installation and use of your pedicure spa, please read the entire manual thoroughly.

If you encounter any questions or problems in regards to your pedicure spa, please contact our **Technical Support Department** at 215-962-8074

Monday through Friday 9 AM to 5 PM E ST.  
After hours calls are recorded and will be responded to the following business day. You can also contact us via email: **support@newstarsspa.com**

#### **Important Requirements**

All outlets connected to pedicure spas must include a GFCI device (Ground Fault Circuit Interrupter) This will reduce the risk of electric shock.

It is important that you contact a local, licensed plumber and licensed electrician to install your new pedicure spa. Installation must be in compliance with all your local and state building codes.

Your pedicure spa cannot operate efficiently or safely unless it is provided with adequate electrical power, sufficient water pressure, proper water temperature, and required drainage capabilities.

Contact your local building inspector for information and local code compliance procedures that need to be followed when having your pedicure spa installed.

Subsequent inspections and approvals that may be required are the responsibility of the purchaser.

# Safety Information

- ⚠ WARNING:** It is very important that you carefully follow the basin cleaning procedures on page 17 to ensure that the spa is sanitized after each use. New Stars is not liable for any infections or disease that may result from improper cleaning or failure to adhere to sanitation requirements.
- This pedicure spa unit should only be operated in a room temperature between 40°F (4°C) and 100°F (38°C).
  - Do not use unit outdoors or in excessively humid or dusty environments.
  - Do not use unit where aerosol (spray) products are being used or oxygen is being administered.
  - Do not operate unit if it has been damaged.
  - Always connect this unit to a properly grounded electrical outlet.
  - This unit is designed only to operate on a standard 110 Volt 60Hz current. Exceeding this standard may cause injury and/or serious bodily harm and/or damage to property.
  - Do not use this unit if noise above normal sound is heard.
  - To reduce the risk of burns, fires, and electrical shock, never leave this unit unattended if plugged in and always unplug when not in use for an extended period, before installation, cleaning, or removal of parts.
  - Keep the power cord away from heated surfaces.
  - Do not operate unit if the power cord or plug has been damaged.
  - If this unit is operating abnormally or malfunctioning, immediately turn off the power and disconnect the power cord from the outlet; do not operate unit if it is not working properly.
  - In the event of a power failure, always turn the power switch to its OFF position.
  - When not in use, always turn the power switch to its OFF position.
  - To disconnect unit, turn all controls to OFF position and remove power cord from the outlet.
  - Keep all electrical devices away from this unit.
  - Enter and exit the unit slowly and carefully.
  - Never drop or insert any object into any opening of the unit.
  - Close supervision is necessary when this unit is used by, on, or near children, invalids, and disabled persons.
  - Do not stand or allow anyone to stand in the spa basin.
  - Please be aware that a spa basin filled with water is a potential drowning hazard.
  - Check the water temperature before each use; water temperature should not exceed 105°F (41°C) and water temperature in heater should not exceed 150°F (65°C).
  - Disinfect the spa basin and jets, after each use with an approved cleaner.
  - Do not massage any area of the body that is swollen, inflamed, or covered with skin eruptions.
  - Before operating the massage chair, make sure the chair arms are down.
  - If there is severe discomfort during the massage, discontinue use and consult a physician.
  - Do not use the massage chair for more than 15 minutes at one time.
  - Do not put hands or fingers near massage mechanism or rollers while the chair is operating; touching the mechanism can result in injury from the rollers squeezing together.
  - Keep the massage chair and its air openings clean and free of lint, hair, and dust; never operate the massage chair if the air openings are blocked.
  - Misuse or failure to properly clean pedicure spa unit may result in serious health issues, bodily injury, and/or death.

# Safety Information

## HEALTH RISK WARNING

Use of the pedicure spa unit should be pleasant and comfortable. If there is any pain or discomfort, stop using the pedicure spa immediately.

- A physician should be consulted before use of the massage chair by anyone with the following conditions: malignant tumor, heart disease, pregnancy, Conditions requiring rest, and back disease or trouble from an injury or accident.
- A physician should be consulted before use of the spa basin and jets, by anyone with diabetes, swelling, fracture, or persistent pain.
- Anyone with inflamed legs or feet, open wounds, or fungal infections should not use the spa basin and jets.
- Misuse or failure to properly clean pedicure spa unit may result in serious health issues, bodily injury, and/or death.

## WARNING – GROUNDING INSTRUCTIONS AND METHODS:

This unit must be grounded. If it should malfunction or break down, grounding provides a path of least resistance for electrical current to reduce the risk of electric shock.

All outlets connected to pedicure spas must include a GFCI device (Ground Fault Circuit Interrupter). This will reduce the risk of electric shock.

This unit is for use on a standard 110 Volt 60Hz current.

This unit is equipped with a cord having an equipment grounding conductor and a grounding plug. The plug must be plugged into an appropriate outlet that is properly installed and grounded in accordance with all local codes and ordinances.

If you are in doubt as to whether this unit is properly grounded, check with a qualified electrician or serviceman. Fatal electric shock and fire could occur with improper connection of the equipment-grounding conductor. Do not modify the plug provided with the product for any reason; if it does not fit the outlet, have a proper outlet installed by a qualified electrician.

## IMPORTANT INSTALLATION & UTILITY INFORMATION

### ELECTRICAL SERVICE:

- An 110V, 60 Hz, 15 Amp GFCI protected grounded circuit must be used to supply power to the pedicure spa.
- This unit should be connected to a branch circuit protected at 20 amperes.

### WATER SUPPLY:

- Observe and follow all local codes in regards to plumbing connections.
- 30 to 80 PSI water pressure is needed to correctly fill the basin a correct level.

The hot water supply temperature must not exceed 150° F (65° C); exceeding this temperature may cause damage to your unit and injury. If the temperature is higher than this, then please lower your water heater to the correct and acceptable temperature.

- Please check with your local plumbing code requirements.

**You are responsible for your valves, connections, and compliance to local codes.**

# Installation

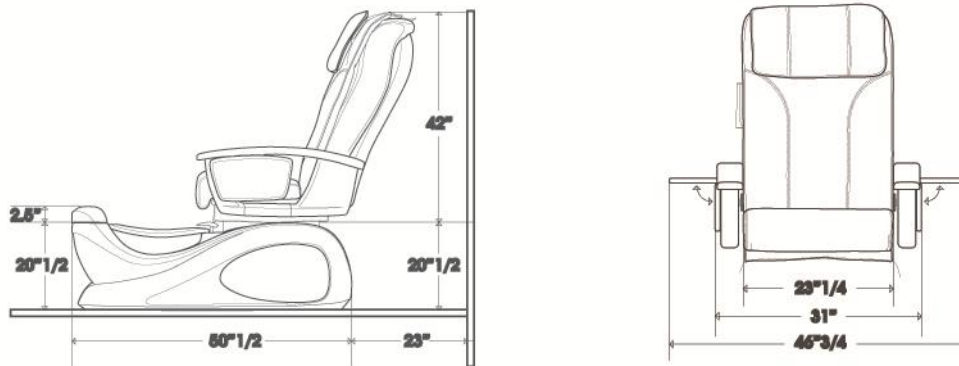
## Location and Support

- The pedicure spa must be on a level location. The floor structure of that location must be capable of supporting both the pedicure spa and its occupant at the same time.
- To fully recline pedicure chair, the base of the unit must be positioned to a minimum of 23" from the wall.
- Minimum installation dimensions:  
Spas.....W 31" x L 73"<sup>1/2</sup>

## Licensed Installation Required

Please check your local plumbing and electrical codes. Installation of this pedicure spa must comply with both. You must hire a licensed plumber and a licensed electrician to complete the applicable connections to your pedicure spa.

NOTE: Failure to comply with federal, state, or local codes will result in the warranty being null and void.



## NOTE

- When moving or lifting pedicure spa always lift from the bottom of spa.
- DO NOT lift by control mixer or chair. Doing so will damage pedicure spa.

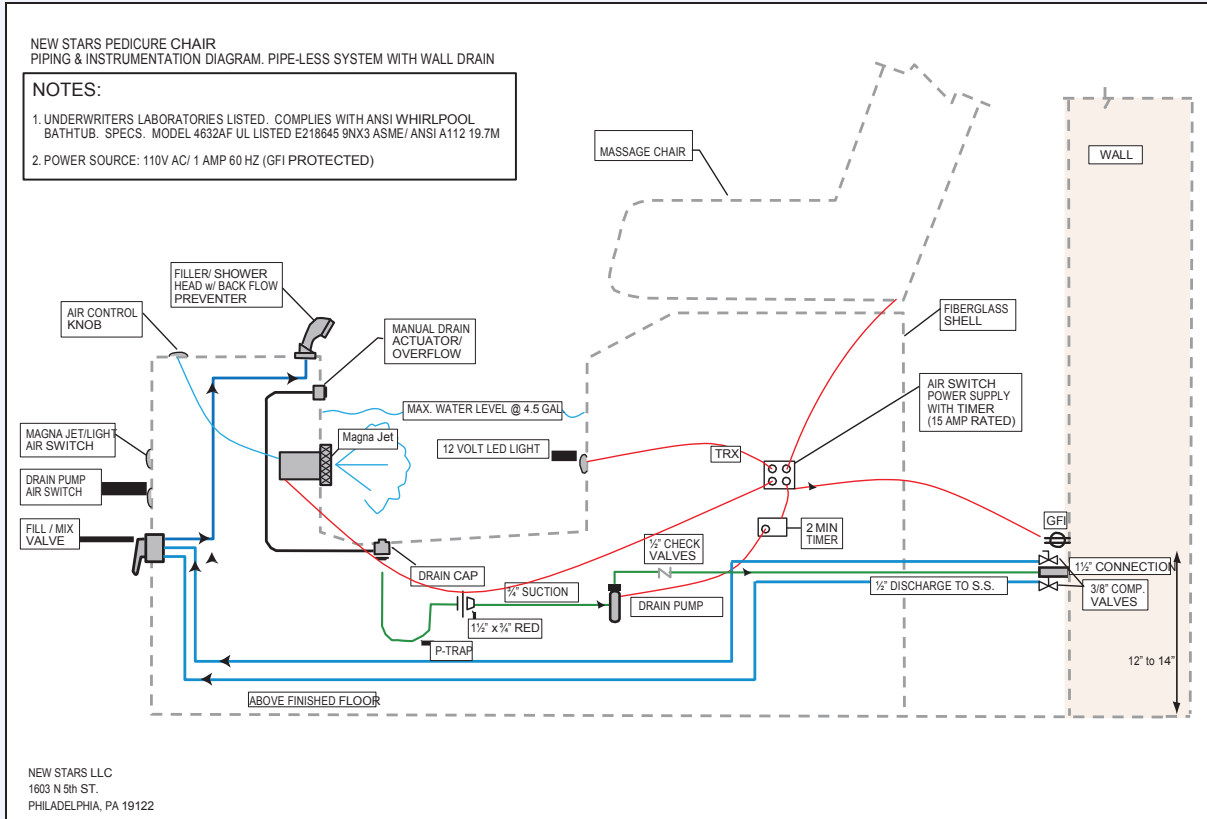


Incorrect lifting

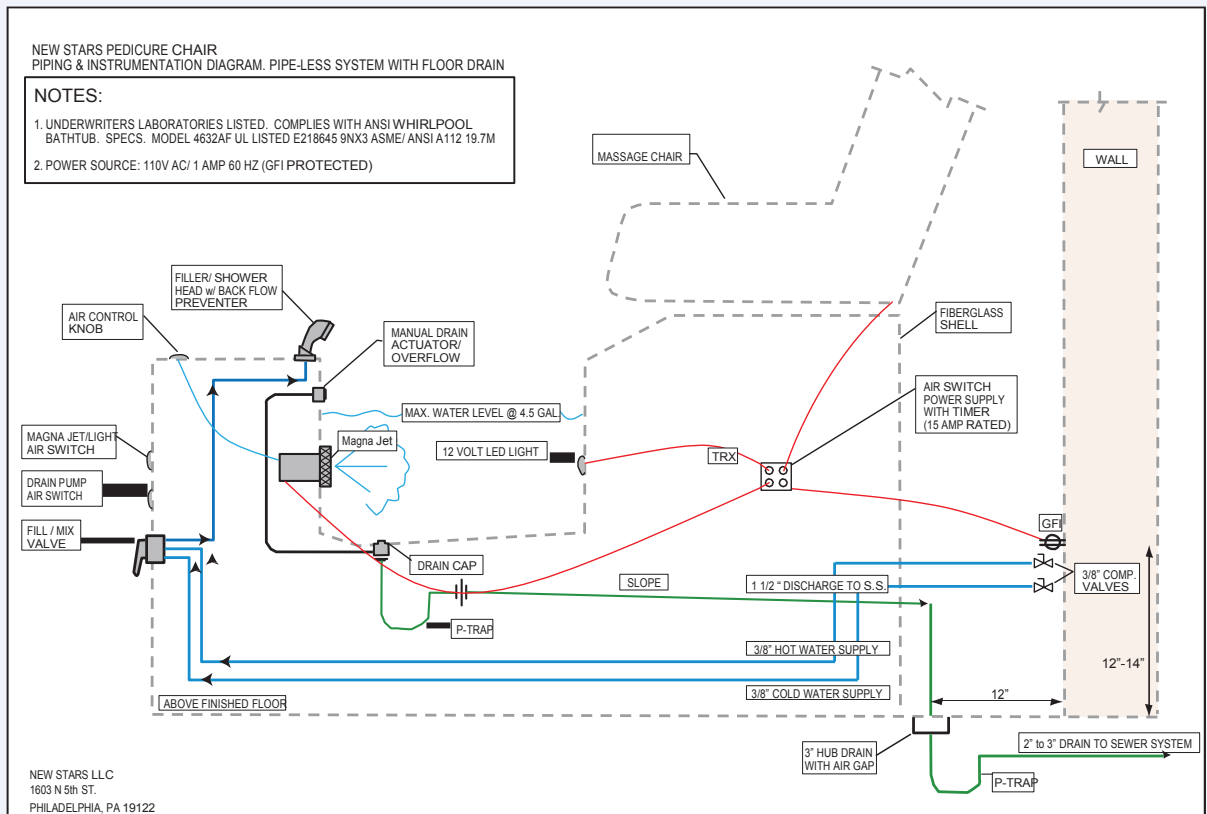


Correct lifting

# Wall Drain Installation



# Gravity Drain Installation





# Chair Installation

NOTE: Two people are required to attach to chair to the spa basin. Please do not attempt to do it yourself. Doing so may result in serious injuries or damages to the products.

1



Spa Massage Chair Electrical Information

2



Remove metal frame out of the box carefully and put on the base tub as shown in the picture

3



Remove three bolts (2 in front and 1 in the back)

4



After removing the bolts, flip the black cover support up

5



Install four bolts and washers to secure the metal frame to the base tub

6



Install the armrest "wood or fiberglass (optional)"

7



Install the back support

8



Tighten the bolts to secure the back support to the metal frame that was installed at the beginning



Connect the power connector for the forward and backward motor



Secure the lock and latch for the chair



Install the zipper for the headrest



After install the lock and latch then lift the back massage up

# Massage Chair Remote and Features



# Massage Techniques

## Massage Mode

**Flap:** Penetrates deep into the body

**Knead:** Kneading relieves tension and soreness by lifting and stretching muscles. Improves deeper blood and lymph circulation and helps bring vital nutrients to the spinal area. Also helps clear out the toxins from muscle and nerve tissue in the area.

**Knock:** Alternates rapid-tapping strokes along the spine to stimulate both spinal muscles and spinal joint areas, emulating the percussive massage technique used in sports medicine for deep muscle therapy. Tapping to increase blood circulation and skin elasticity

**Knead + Flap:** Kneading relieves tension and soreness by lifting and stretching muscles of your back in a small, circular motion on both sides of your spine simultaneously, while alternate rapid-tapping strokes stimulate spinal muscles and spinal joint areas. These movements stimulate circulation, and tone and strengthen muscles, especially the soft-tissue areas.

**Back Stretch:** To select full-range, partial or fixed massage

**Speed:** The massage tactics tempo can be chosen by 5 speed

### Up & Down Arrow:

- Up arrow button used to move the massage upward to suit precise massage points
- Down arrow button used to move the massage downward to suit precise massage points

# Spa Basin Information


## Preparing the Pedicure Spa for Operation:

Clean and disinfect the basin following the instructions on page 14 before initial use.

## Operating the Pedicure Spa:

### Add Water to the Pedicure Spa Basin:

1. Turn the overflow knob counter-clockwise until it stops to close drain.
2. Lift upward on the hot & cold mixer to add water to the basin. Turn the handle in a counter-clockwise direction for cold water or clockwise for warm water as indicated by the red (hot) and blue (cold) markings under the handle. Continue to add water until the fill line is reached. The fill line is indicated by the wavy (~~~) in the basin.

 **CAUTION:** Always check water temperature before use; hot water can burn skin and can cause serious injuries. Water temperature should not exceed 105°F (41°C).

3. Turn the water off by pushing the handle downward.

**Start or stop the whirlpool by pressing the jet button.**

### Remove water from the Pedicure Spa Basin:

- Make certain the whirlpool jet is turned off by pressing the jet button.
- For use with a floor drain, simply open the drain by turning the overflow knob in a clockwise direction until it stops. You should see the water level lowering as water exits the basin.
- For use with the optional drain pump feature, open the drain by turning the overflow knob in a clockwise direction until it stops. Press the silver button marked “Drain” on the front panel. The water level will lower as water is pumped out of the basin. Turn the pump off by pressing the “Drain” button on the front panel once the basin is fully drained.

**NOTE:** the drain pump will automatically shut off after 2 minutes). We recommend turning off the pump manually if all water has drained before automatic shut-off. Drain pump may overheat if operated more than 10 minutes.

**NOTE: if you are using a wall drain, it is very important that you close the drain cap for each use. Failure to do so will result in contamination of the system.**

### **WARNING**

- It is extremely important to follow the cleaning instructions located on page 14.
- Failure to clean the pedicure spa adequately may result in serious health issues for your clients as well as the nail technician.
- Failure to clean your pedicure spa may also cause the pedicure spa to not work properly.
- Please consult your local and state codes concerning pedicure spa cleaning for further requirements.

# Basin Cleaning Procedures

**⚠ WARNING: Please check with your state board and city codes in your area spa specific spa disinfectant procedures. In addition to local requirements, it is very important that carefully follow the basin cleaning procedures below to ensure that the spa is sanitized after each use. New Stars LLC is not liable for any infections or diseases that may result from improper cleaning or failure to adhere to sanitation requirements**

## AFTER EACH CUSTOMER

1. Remove suction cover by turning counter-clockwise. Remove any debris present with water spray.
2. Spray Sanitex disinfectant on impeller.
3. Spray Sanitex disinfectant on both sides of suction cover.
4. Thoroughly clean inside surface of spa tub, foot rest, and arm rest with Sanitex disinfectant wipes.
5. Thoroughly clean rest of the spa basin surface with Sanitex disinfectant wipes.
6. Allow 10 minutes for disinfecting time to complete.

## SANITIZE AT THE END OF THE DAY

1. Remove suction cover by turning counter-clockwise.
2. Use a soft brush and water to clean suction cover.
3. Use a soft brush and water to clean impeller. Put suction cover back in its place by turning clockwise.
4. Fill tub. Add 1 level scoop of Pedi-Clear disinfectant crystals or other EPA Approved cleaners. (Follow manufacturer's instructions)
5. Circulate for 10 minutes and let it soak overnight.
6. The next morning, drain water and thoroughly clean inside surface of spa basin with Sanitex disinfectant wipes.
7. Thoroughly clean rest of the spa tub surface with Sanitex disinfectant wipes.

The unit is now ready for the first customer of the day.

**Note:** DO NOT clean pedicure spa with pure chlorine solution. DO NOT soak overnight with pure chlorine or chlorine solution. This may lead to premature deterioration and rusting of the pedicure spa and its component parts and will result in void of limited warranty.

# Care & Maintenance

**⚠ DANGER:** To reduce the risk of electrical shock, always unplug this product from the electrical outlet before cleaning and immediately after using.

**NOTE:** Failure to follow these necessary maintenance instructions will void warranty.

## Chair Maintenance:

1. Be sure to disconnect the power cord from the electrical outlet before cleaning.
  2. Do not use benzene, thinner or any other solvents on your massage chair.
  3. Remove dust on the backrest or armrest with a vacuum.
  4. If the backrest or armrests become soiled, wipe with a damp cloth, then a dry cloth.
  5. Common upholstery cleaners may be used for tough stains.
  6. When cleaning the controller or around the power switch, use a dry cloth only. Never use a damp cloth to clean the controller or power switch.
  7. Foreign objects should not be inserted between the massage nodes or the unit housing.
  8. Lubrication is required on the drive shaft every 6 month.
  9. When not in use for a long period of time, we recommend that the chair be covered, the power cord be coiled and that the unit be placed in an environment free of dust and moisture.
  10. Do not store near heat or open flame. Do not leave this product exposed to direct sunlight for long periods of time. This may cause fading or damage.
- ⚠ WARNING:** Be sure to test any cleaning solution on a small, inconspicuous part of the product to ensure that the color does not fade prior to using the solution on the entire product surface.

# Parts Identification





# Specifications

## Basin Specifications

- Capacity of Basin: 4.5 US Gallons
- Power Source: 110V AC, 1A, 60Hz (GFCI Protected)
- Jet System: Contain either
  - Dura Jet III: 120V, 60Hz, 30W
  - Magna Jet: 120V, 60Hz, 30W
- LED Lights: Input: 120V AC, 60Hz, 7W; Output: 12V AC, 100mA
- Discharge Pump (Optional): 120V, 60Hz, 30W
- Switches: On/Off Air Switch for Jet and On/Off Air Switch for Drain Pump (Optional)

\*Specifications are subject to change without prior notice.

## LIMITED WARRANTY

We are pleased to let you know that the New Stars spa that you purchased comes with a limited warranty. New Stars warrants, to the original purchaser, that this equipment shall be free from material and workmanship defects in manufacturing for a period of two (1) year from the date of purchase. This warranty covers only the listed components. There are no other warranties, express or implied. No dealer or other person has any authority to bind New Stars to changes or additions to its warranty or its products. New Stars is not responsible for any such warranties or representations.

New Stars may repair or replace, to the original purchaser of the New Stars spa, at its option any pedicure spa deemed to be defective in material or workmanship upon inspection by an authorized representative of New Stars.

New Stars should not be liable under any circumstances for any damage or reduction in performance directly or indirectly resulting from misuse, unauthorized repairs, submersion or water damage, improper water additives or harmful cleaning agents or chemicals, improper application or installation, or daily wear and tear. New Stars Warranty covers replacement parts for defective items only. This Limited Warranty covers standard delivery of replacement parts only. Overnight shipment is available upon request at an additional charge.

**NEW STARS LLC HEREBY DISCLAIMS LIABILITY FOR ANY INCIDENTAL, SPECIAL, CONSEQUENTIAL, OR PUNITIVE DAMAGES ARISING FROM ANY DEFECT IN THE PRODUCT COVERED BY THE WARRANTY. EXCEPT FOR THE EXPRESS WARRANTY SET FORTH ABOVE, NEW STARS LLC HEREBY EXCLUDES AND DISCLAIMS ANY AND ALL OTHER EXPRESS OR IMPLIED WARRANTIES OF MERCHANTABILITY AND FITNESS FOR A PARTICULAR PURPOSE.**

New Stars LLC's sole obligation to the original purchaser whether a claim be based in contract, negligence, tort, or otherwise, shall be solely as provided hereunder and remedies shall be provided as hereunder. Some states/provinces do not allow the exclusion or limitation of incidental or consequential damages or limitations on how long an implied warranty lasts, so the above limitations may not apply to you. This warranty gives you specific legal rights and you may have other rights, which may vary from state to state. This limited warranty is void if the product is subject to abuse or improper care resulting in damage to the product. This limited warranty or any part of it is void only where expressly prohibited by law. New Stars LLC is not warranted in any way, except as expressly stated in this limited warranty and by operation of law.