

DENSION

Audio Systems

Lightning adapter for Gateway (LIA1GW0)

Quick Install Guide

LIA-9220-2

1. Instructions manual

The Lightning adapter for Gateway (LIA) is an optional accessory for Gateway Lite, Gateway Lite BT, iGateway, Gateway 300 and Gateway 500 devices. The device enables you to connect Apple devices bearing a Lightning adapter to your existing Gateway. The LIA connects to the iPod Dock connector on the Gateway and has a USB connector to connect your iPhone/iPod (iPhone 5, 5s, 5c, iPod nano 7th, touch – 5th) using a USB to Lightning cable (IPLC1GW) an iPhone 5 cradle (IP5LCRU; IP5LCRP) or with an iPhone 6 cradle (IP6LCRP).

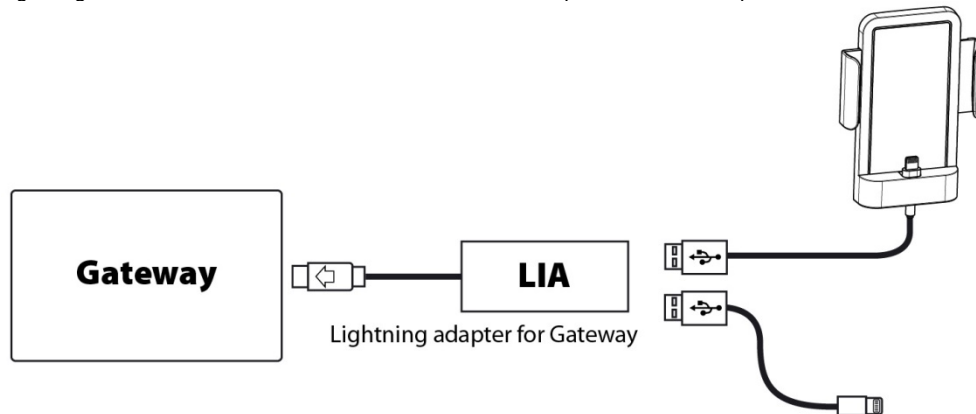
2. Gateway Compatibility:

The Lightning adapter for Gateway is compatible with the following Dension Gateways:

- Gateway Lite (GWL3xxx)
- Gateway Lite BT (GBL3xxx)
- iGateway (GW17xxx)
- Gateway 300 (GW33xxx)
- Gateway 500 (GW51MO2)

3. Installation:

To install the adapter connect it to the 9-pin dock cable connector on the Gateway and connect a Lightning to USB cable or the iPhone 5/6 cradle to the USB port of the LIA adapter.



4. Update instructions:

In order to keep the LIA adapter compatible with the upcoming Apple products, please always update the firmware to the latest version (if available). To update follow the instructions below:

1. Download and unpack the update file from www.dension.com
2. Copy the unpacked update file(s) to the root folder of a USB drive (FAT32 file system with only one partition)
3. Turn the ignition on in the car and switch the head unit ON
4. Wait until the head unit recognizes the Gateway and select it as a source
5. Connect the Lightning adapter (LIA) to the Dock Cable port of the Gateway
6. Connect the flash drive with the update file to the USB port of the Lightning adapter
7. Wait 20 seconds
8. Disconnect the USB flash drive and check the LIAA_NFO.nfo using 'Notepad' (or similar). In the second line of the file you should see the firmware version of the Lightning adapter. It should be the new version.

5. Disclaimer and Warranty

Disclaimer

If your car's electrical system begins to behave erratically, please disconnect the LIA interface physically immediately and have it checked by your installer or a qualified car electronics technician. Dension and its authorized distributors and retailers are not liable for any incidental consequential or indirect damages or loss and do not assume liability for any diagnostic fees.

Dension reserves the right to modify its products or specifications without prior notice.

Warranty

Dension devices carry a one-year limited warranty that protects you from defects in material and workmanship of products sold by Dension or its authorized distributors and retailers. Dension does not warrant any installation work or assume liability for any damage caused due to negligence, improper installation or operation. For warranty claims, proof of purchase is required

Further assistance

If you need further assistance on using your Dension product, please contact your local supplier or visit us at www.dension.com. You can ask for the help of our trained technicians by clicking 'Support'.